



US00D681368S

(12) **United States Design Patent**
Wygle

(10) **Patent No.:** **US D681,368 S**

(45) **Date of Patent:** **** May 7, 2013**

- (54) **ADJUSTABLE DISPLAY STAND**
- (76) Inventor: **Courtney A. Wygle**, Seminole, FL (US)
- (**) Term: **14 Years**
- (21) Appl. No.: **29/406,089**
- (22) Filed: **Nov. 9, 2011**
- (51) **LOC (9) Cl.** **06-01**
- (52) **U.S. Cl.**
USPC **D6/477**
- (58) **Field of Classification Search** D6/449–451,
D6/455–457, 459–468, 470–472, 474–479,
D6/567; 108/107, 59, 149, 161, 144.11,
108/108; 312/107, 114; 211/59.4, 69, 134,
211/186–192
See application file for complete search history.

6,038,784	A *	3/2000	Dunn et al.	34/104
D434,591	S *	12/2000	Goodman et al.	D6/629
D436,786	S *	1/2001	Solomon	D6/629
D449,414	S *	10/2001	James et al.	D32/55
D460,295	S *	7/2002	Fissell et al.	D6/467
D465,891	S *	11/2002	Brown	D32/55
D484,330	S *	12/2003	Hayes	D6/403
D490,198	S *	5/2004	Jerstroem et al.	D32/55
D515,844	S *	2/2006	Pryor	D6/464
D534,379	S	1/2007	Juneau	
D539,563	S *	4/2007	Grosfillex	D6/465
D541,493	S *	4/2007	Peet	D32/8
D542,059	S	5/2007	Moyle et al.	
D544,670	S *	6/2007	Sorvill	D32/58
D554,187	S *	10/2007	Bonaventura	D19/90
D554,188	S *	10/2007	Bonaventura	D19/90
7,275,648	B2 *	10/2007	Segovia, Jr.	211/134

(Continued)

Primary Examiner — Kelley Donnelly
(74) *Attorney, Agent, or Firm* — QuickPatents, Inc.; Kevin Prince

(56) **References Cited**

U.S. PATENT DOCUMENTS

D143,598	S	1/1946	Karp	
2,946,453	A *	7/1960	Pityo	211/41.14
D221,220	S *	7/1971	Emmitt	D24/227
4,033,597	A *	7/1977	Boyer	280/46
D249,857	S	10/1978	Adkinson	
4,183,437	A *	1/1980	Crawford et al.	211/41.8
D267,691	S	1/1983	White	
D288,876	S *	3/1987	Goetz et al.	D6/449
D298,707	S	11/1988	Knight	
5,040,708	A *	8/1991	Blair et al.	223/106
D322,343	S *	12/1991	Pearcy	D32/58
D322,344	S *	12/1991	Winkler	D32/58
D347,717	S *	6/1994	Chapin	D32/55
D349,773	S *	8/1994	Malin et al.	D24/224
D366,529	S *	1/1996	Babaoglu et al.	D24/223
D369,002	S *	4/1996	Pratt	D32/55
D371,233	S *	7/1996	Kelly	D3/25
D373,867	S *	9/1996	Rask	D32/58
D416,364	S *	11/1999	Newhall	D32/55
D418,695	S	1/2000	Clayton, Jr.	
D419,335	S *	1/2000	Kopala, Jr.	D6/462
D421,351	S *	3/2000	Kopala, Jr.	D6/465

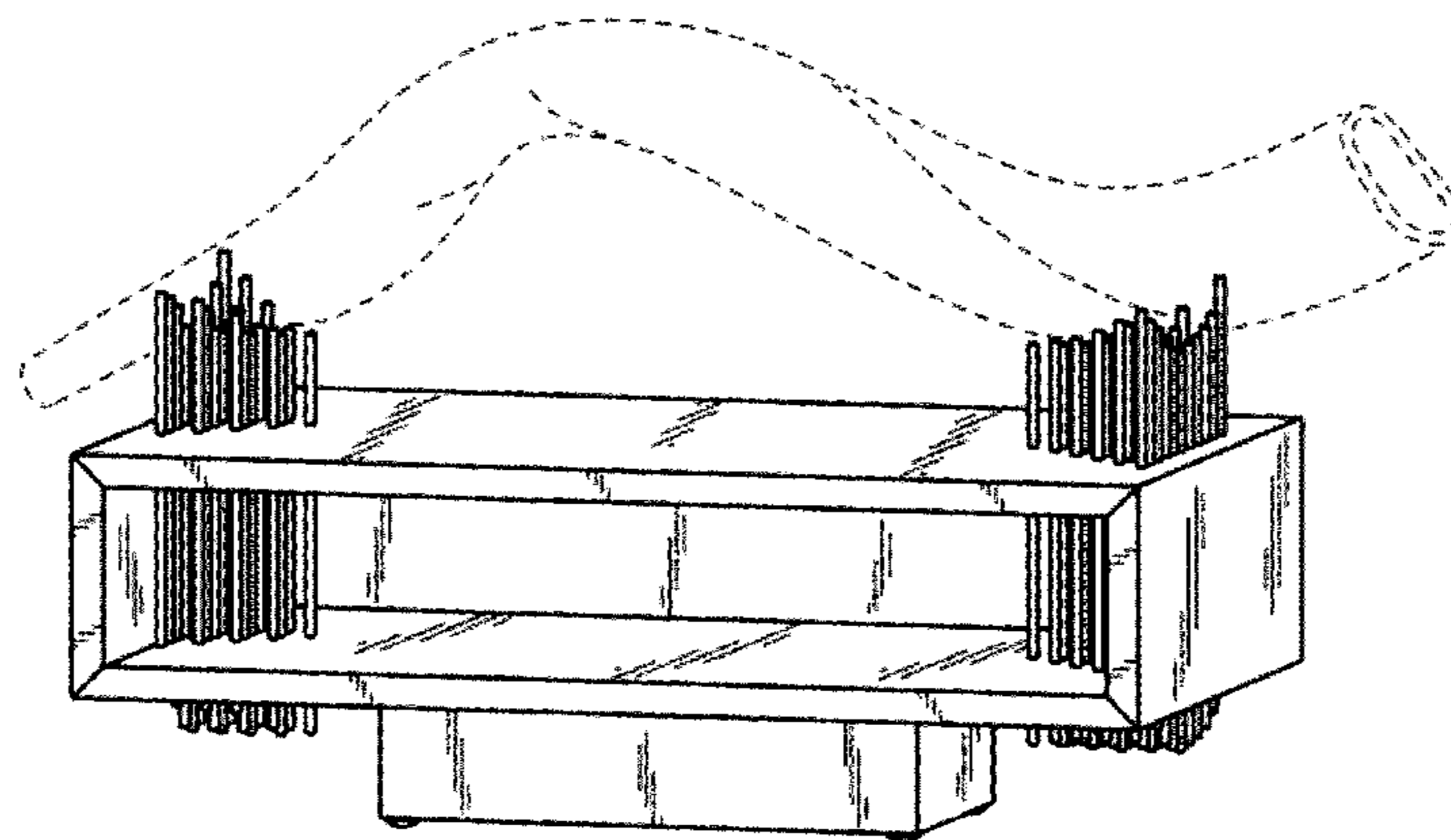
(57) **CLAIM**

I claim the ornamental design for an adjustable display stand, as shown and described.

DESCRIPTION

FIG. 1 is a perspective view of an adjustable display stand in an alternate configuration, showing my new design; FIG. 2 is a front elevational view thereof; FIG. 3 is a rear elevational view thereof; FIG. 4 is a top plan view thereof; FIG. 5 is a bottom plan view thereof; FIG. 6 is a left-side elevational view shown in an alternate configuration thereof; and, FIG. 7 is a right-side elevational view shown in an alternate configuration thereof. The broken lines showing a displayed object in FIG. 1 and an area in FIG. 5 depict environmental matter and form no part of the claimed design.

1 Claim, 3 Drawing Sheets



US D681,368 S

Page 2

U.S. PATENT DOCUMENTS

D568,070 S	5/2008	Cartwright		D612,634 S *	3/2010	Zambelli	D6/477
D592,427 S *	5/2009	Meyer et al.	D634,909 S *	3/2011	Guthrie	D32/55
D607,669 S *	1/2010	Trinh et al.	D636,617 S	4/2011	Lara		
D608,115 S *	1/2010	Trinh et al.	D637,815 S *	5/2011	Hsieh	D3/313
D610,265 S *	2/2010	Lea	8,079,655 B2 *	12/2011	Compton et al.	312/351

* cited by examiner

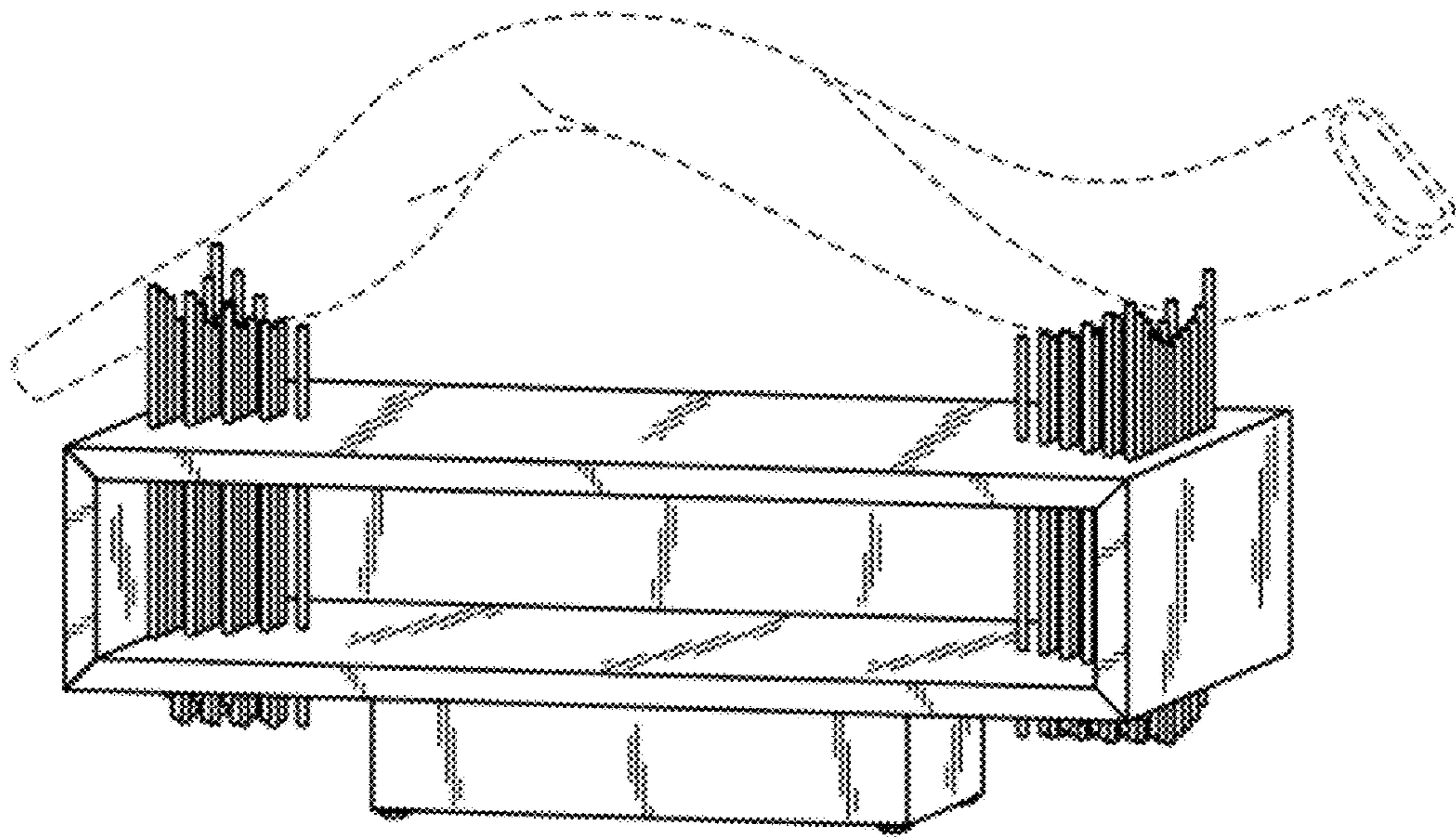


FIG. 1

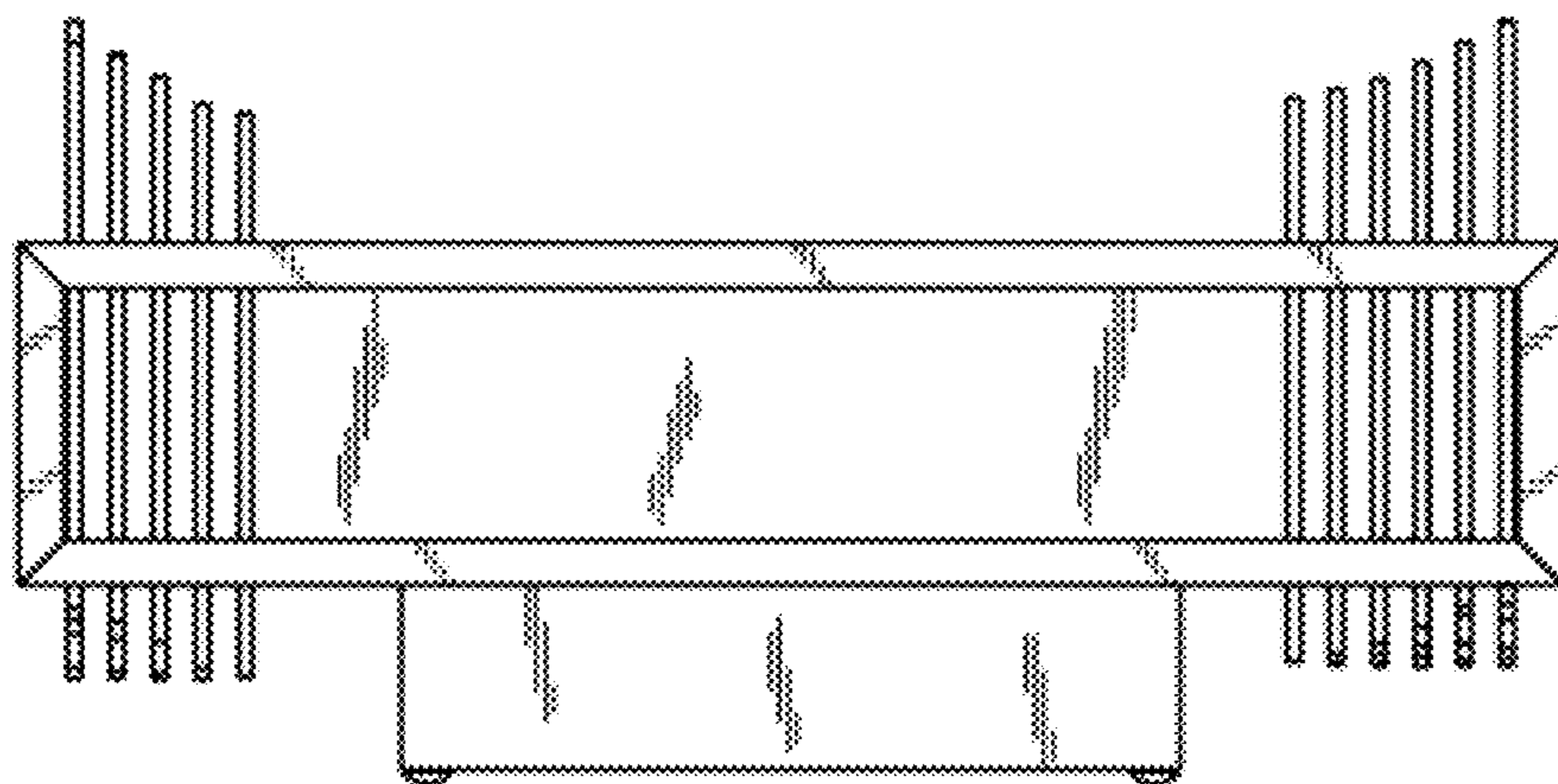


FIG. 2

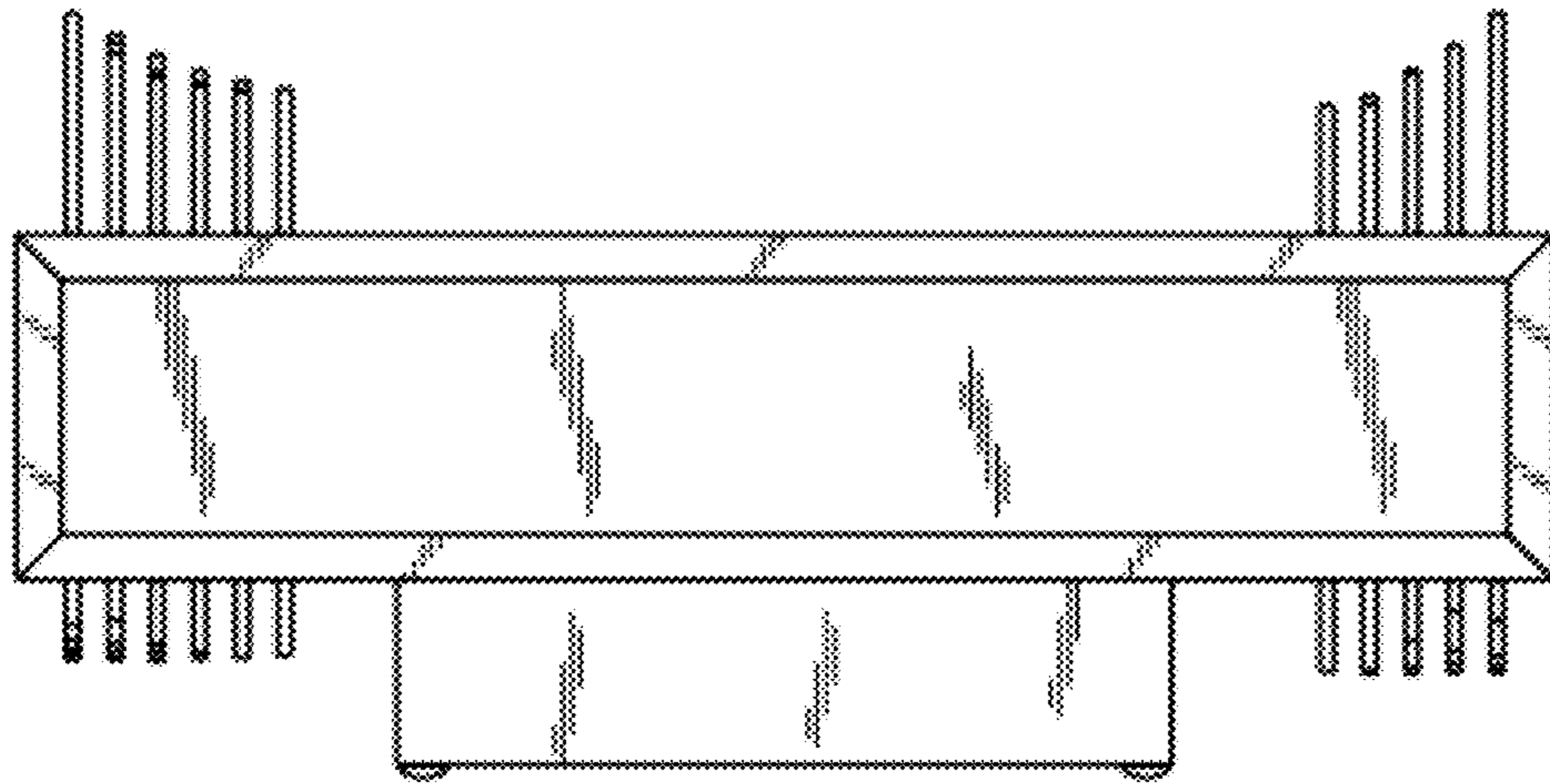


FIG. 3

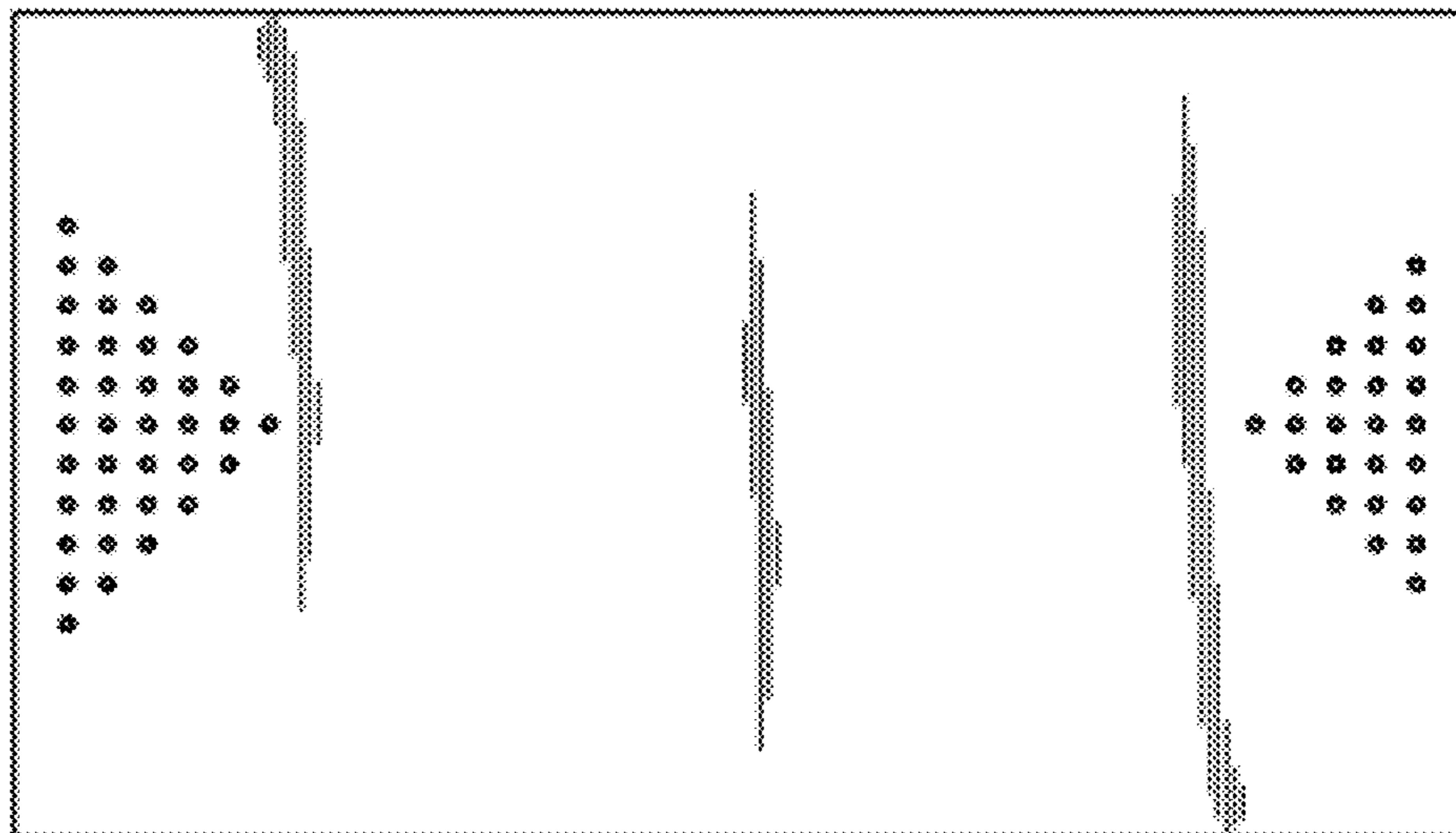


FIG. 4

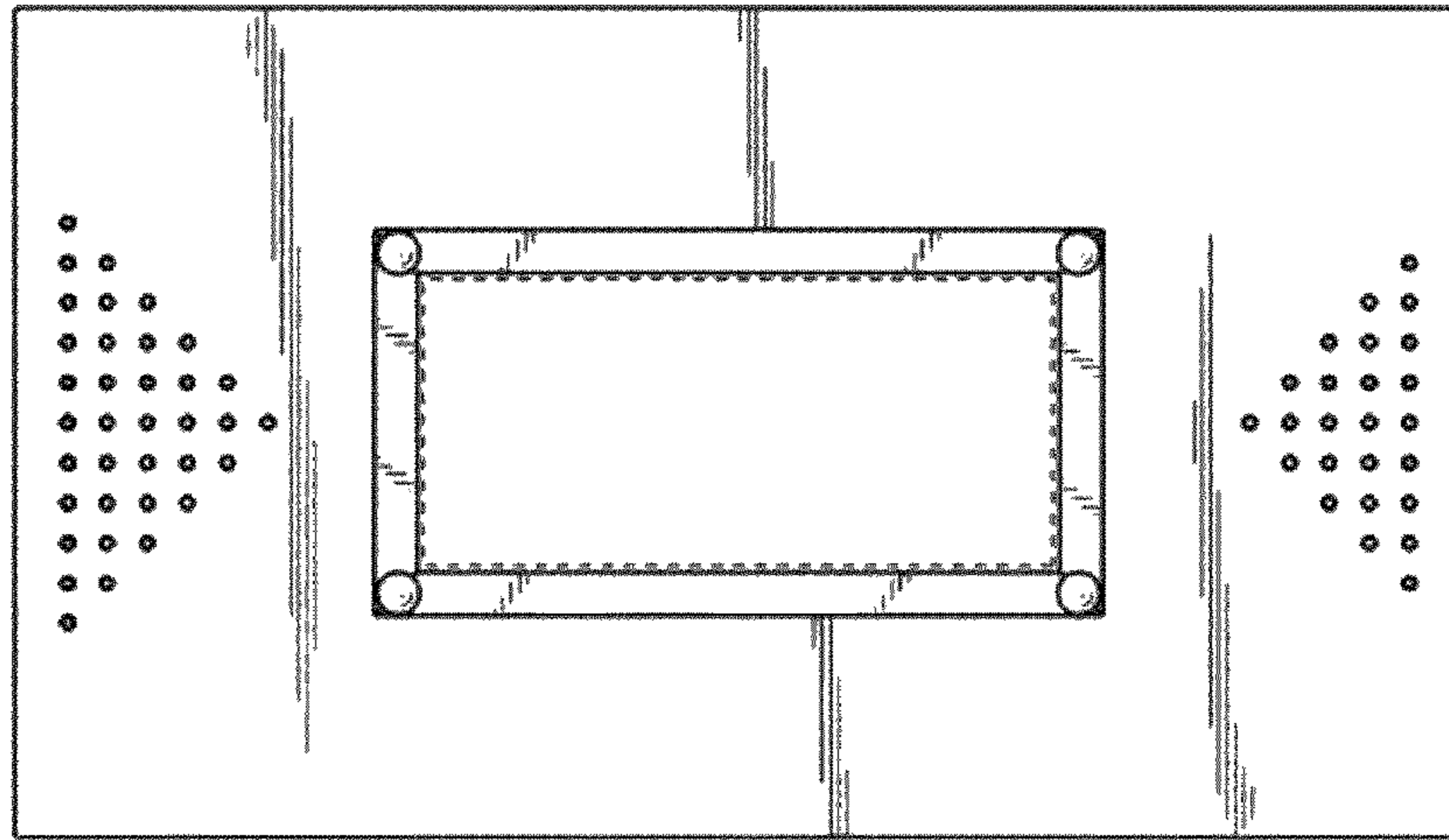


FIG. 5

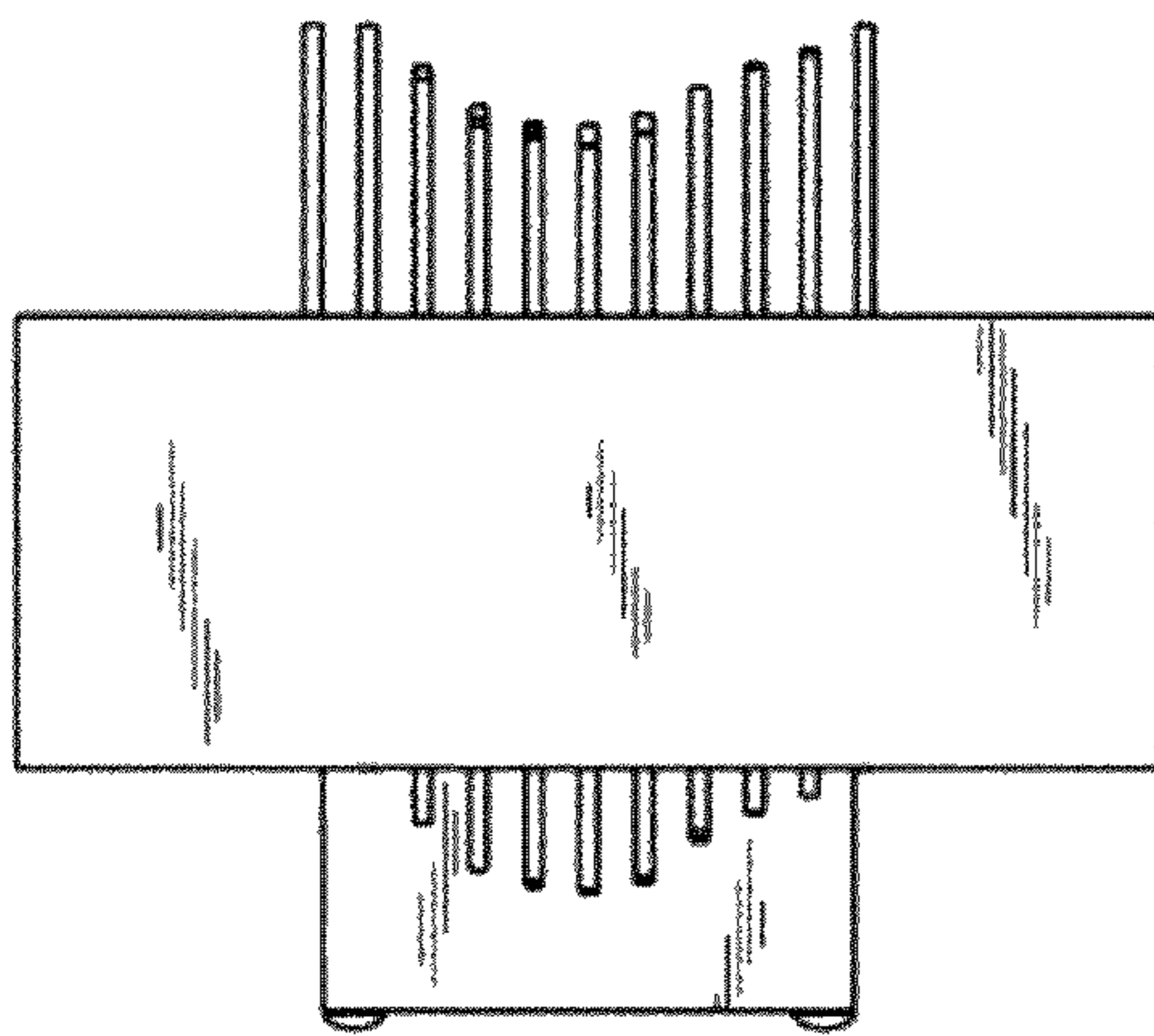


FIG. 6

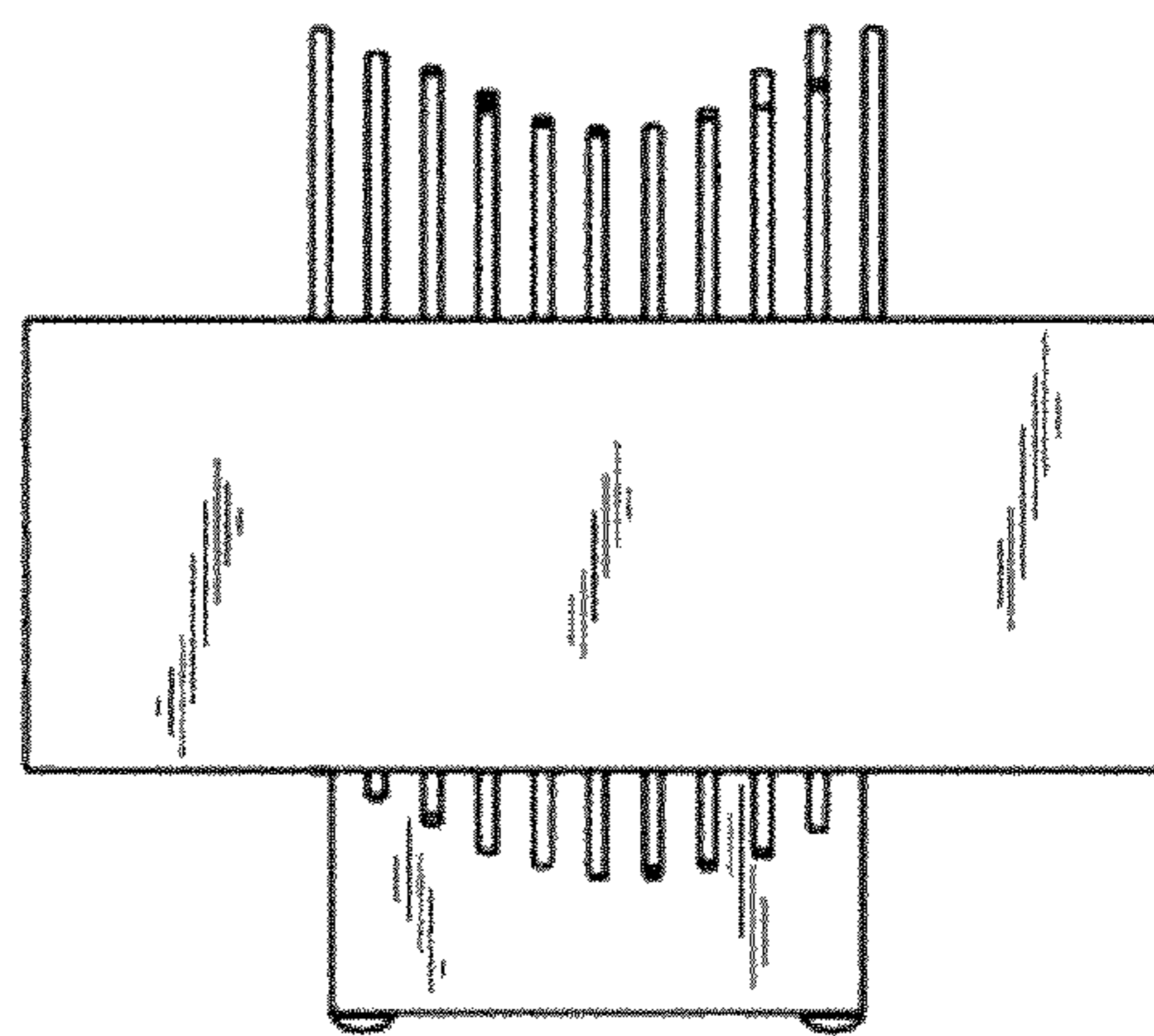


FIG. 7