



US00D681364S

(12) **United States Design Patent**  
**Lade**

(10) **Patent No.:** **US D681,364 S**  
(45) **Date of Patent:** **\*\* May 7, 2013**

- (54) **SOFA WITH FOUR SEATS**
- (75) Inventor: **Jan Lade**, Straumgjerde (NO)
- (73) Assignee: **Ekornes ASA**, Ikornnes (NO)
- (\*\*) Term: **14 Years**
- (21) Appl. No.: **29/417,668**
- (22) Filed: **Apr. 6, 2012**

D297,983 S *	10/1988	Friedman .....	D6/336
D298,784 S *	12/1988	Friedman .....	D6/335
D312,734 S *	12/1990	Friedman .....	D6/335
D327,986 S *	7/1992	Gera .....	D6/335
D339,243 S *	9/1993	Durling .....	D6/336
5,319,340 A *	6/1994	Leupold .....	335/306
5,335,962 A *	8/1994	Gera .....	297/232
D365,450 S *	12/1995	Schweiger .....	D6/336
D501,095 S *	1/2005	Zydko Hoyas et al. ....	D6/335
D547,087 S *	7/2007	Natuzzi .....	D6/381
D551,464 S *	9/2007	Natuzzi .....	D6/381
7,766,293 B2 *	8/2010	Seidl et al. ....	248/311.2

(30) **Foreign Application Priority Data**

Oct. 24, 2011 (NO) ..... 20110823

- (51) **LOC (9) Cl.** ..... **06-01**
- (52) **U.S. Cl.**  
USPC ..... **D6/381**
- (58) **Field of Classification Search** ..... D6/334-338,  
D6/349, 355, 361, 368-370, 376, 379-381,  
D6/492, 500-502; 297/16.1, 42, 94, 135,  
297/175, 232, 233, 350, 351, 445.1, 448.1,  
297/448.2, 451.9; 5/12.1, 12.2

See application file for complete search history.

(56) **References Cited**

**U.S. PATENT DOCUMENTS**

D155,624 S *	10/1949	Pahlmann .....	D6/336
D237,328 S *	10/1975	Vogt .....	D6/336
D245,951 S *	10/1977	Lande .....	D6/336
D256,297 S *	8/1980	Gera et al. ....	D6/336
D282,886 S *	3/1986	Williams .....	D6/336
4,662,679 A *	5/1987	Franck et al. ....	297/240

\* cited by examiner

*Primary Examiner* — Sandra Snapp

(74) *Attorney, Agent, or Firm* — Schneck & Schneck;  
Thomas Schneck

(57) **CLAIM**

I claim the ornamental design for a sofa with four seats, as shown and described.

**DESCRIPTION**

FIG. 1 is a front perspective view for a sofa with four seats of my design;

FIG. 2 is a front elevational view thereof;

FIG. 3 is a rear elevational view thereof;

FIG. 4 is a right side view thereof;

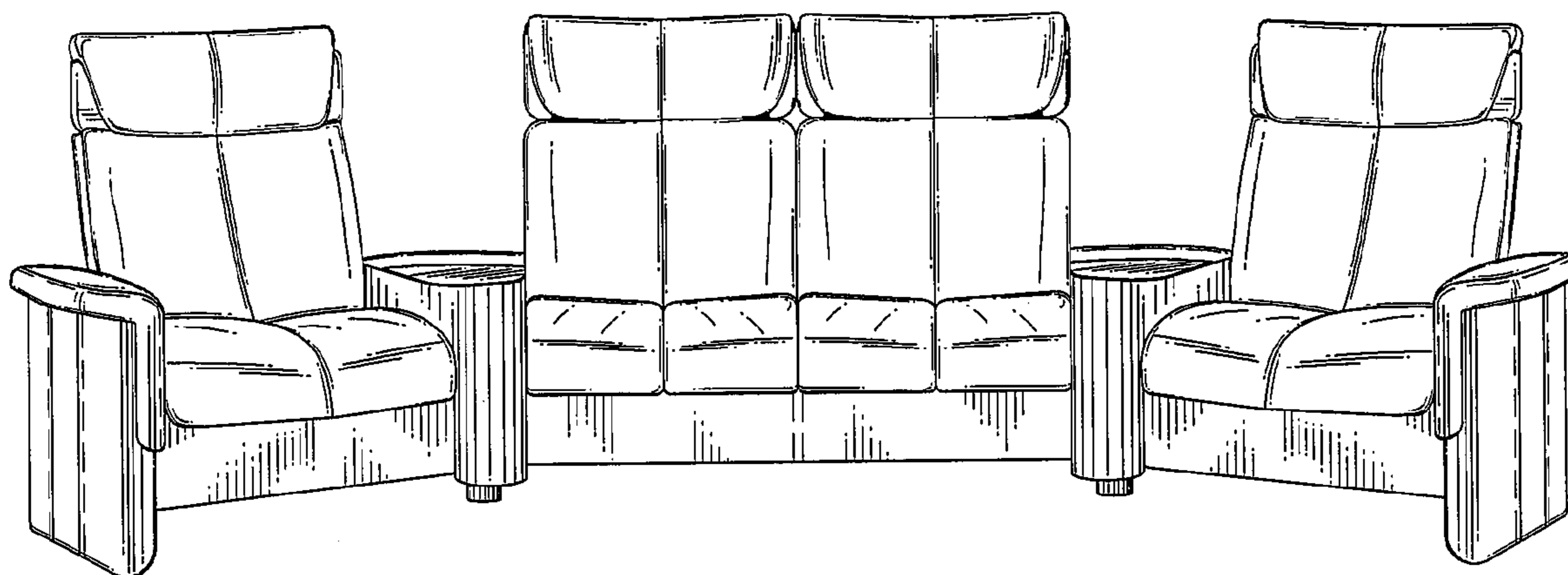
FIG. 5 is a left side view thereof;

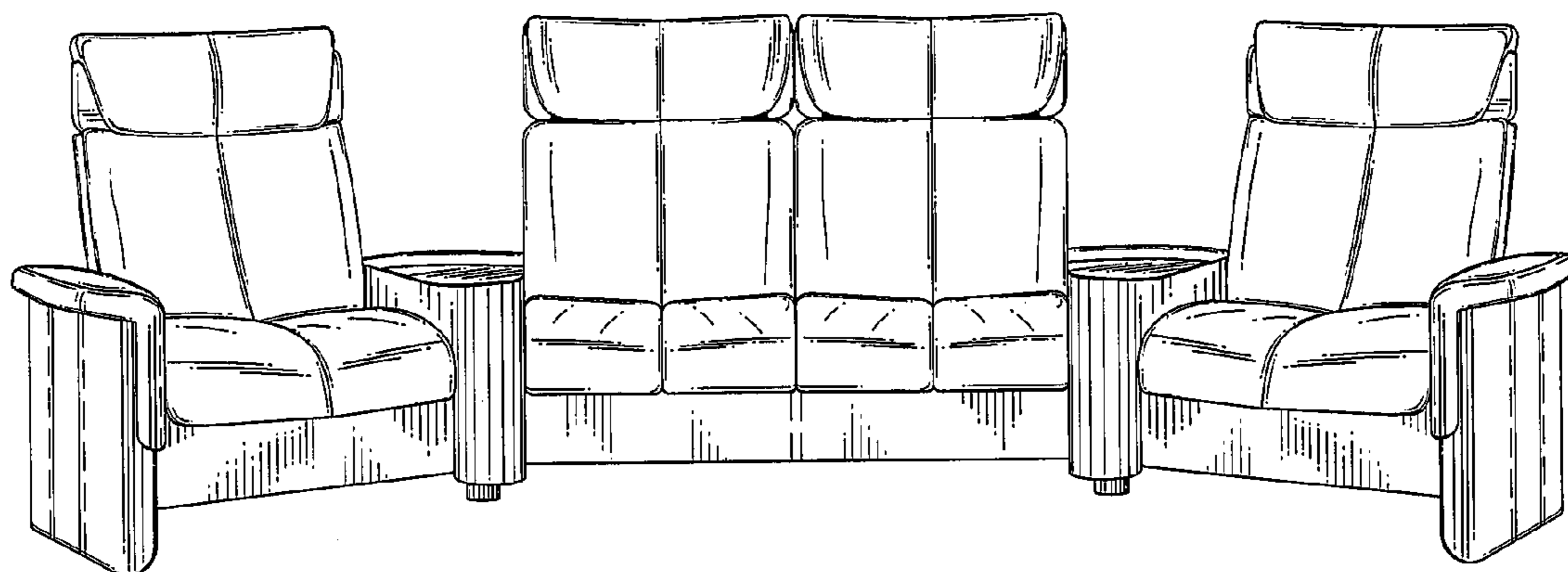
FIG. 6 is a top view thereof; and,

FIG. 7 is a bottom view thereof.

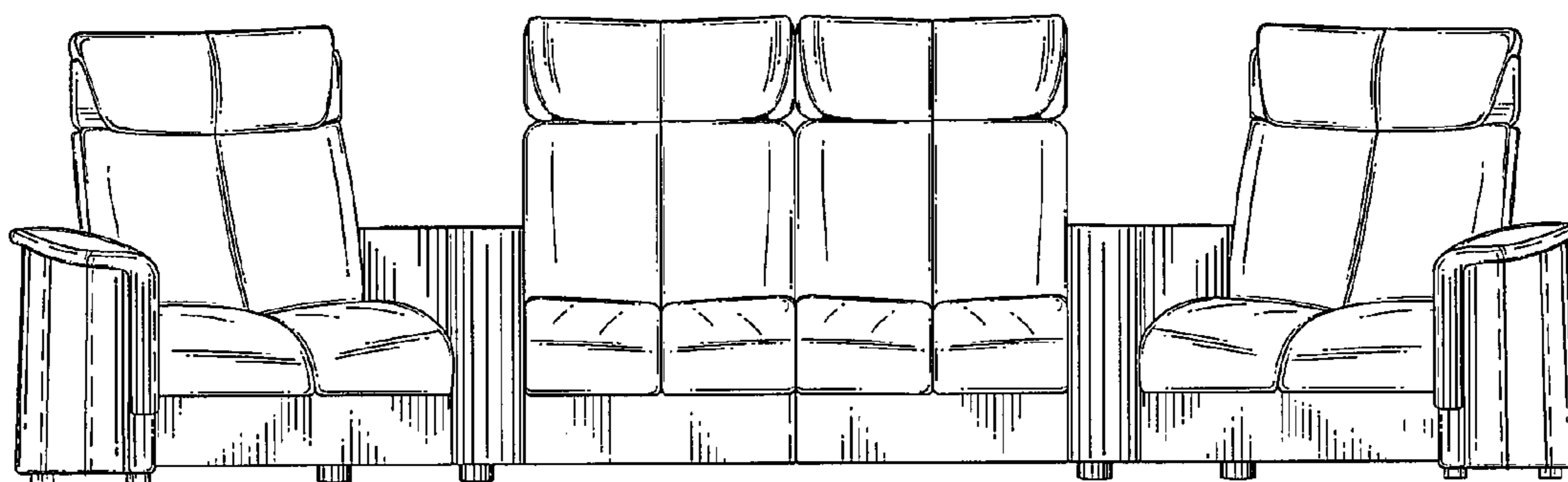
The broken lines shown in the drawings are for illustrative purposes only and form no part of the claimed design.

**1 Claim, 4 Drawing Sheets**

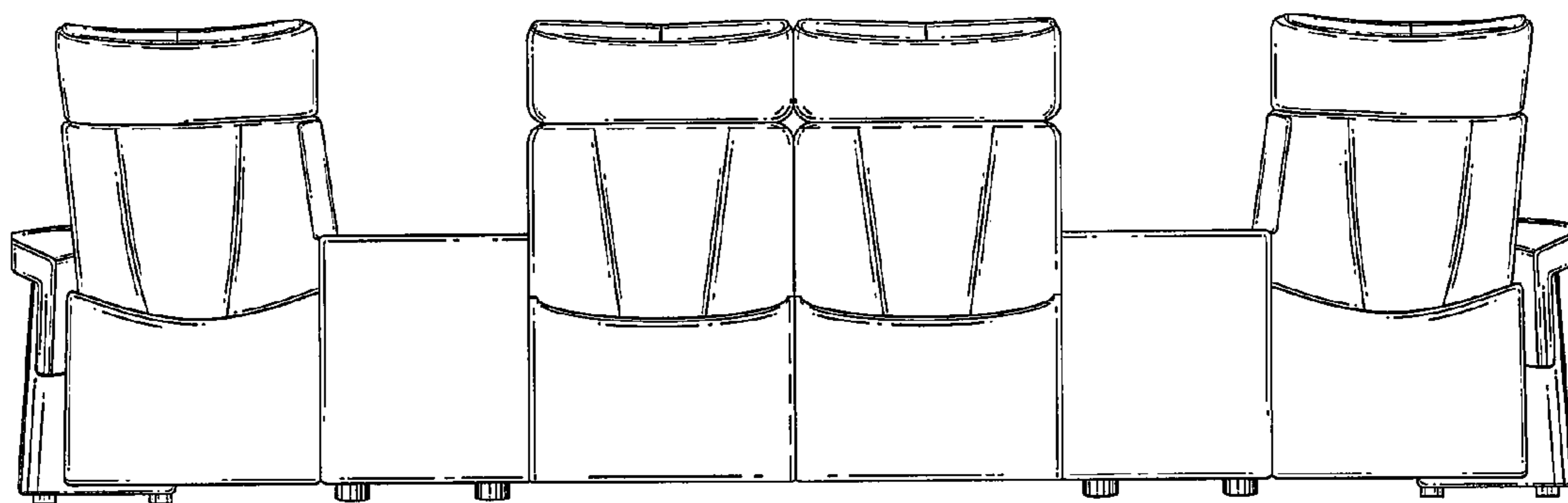




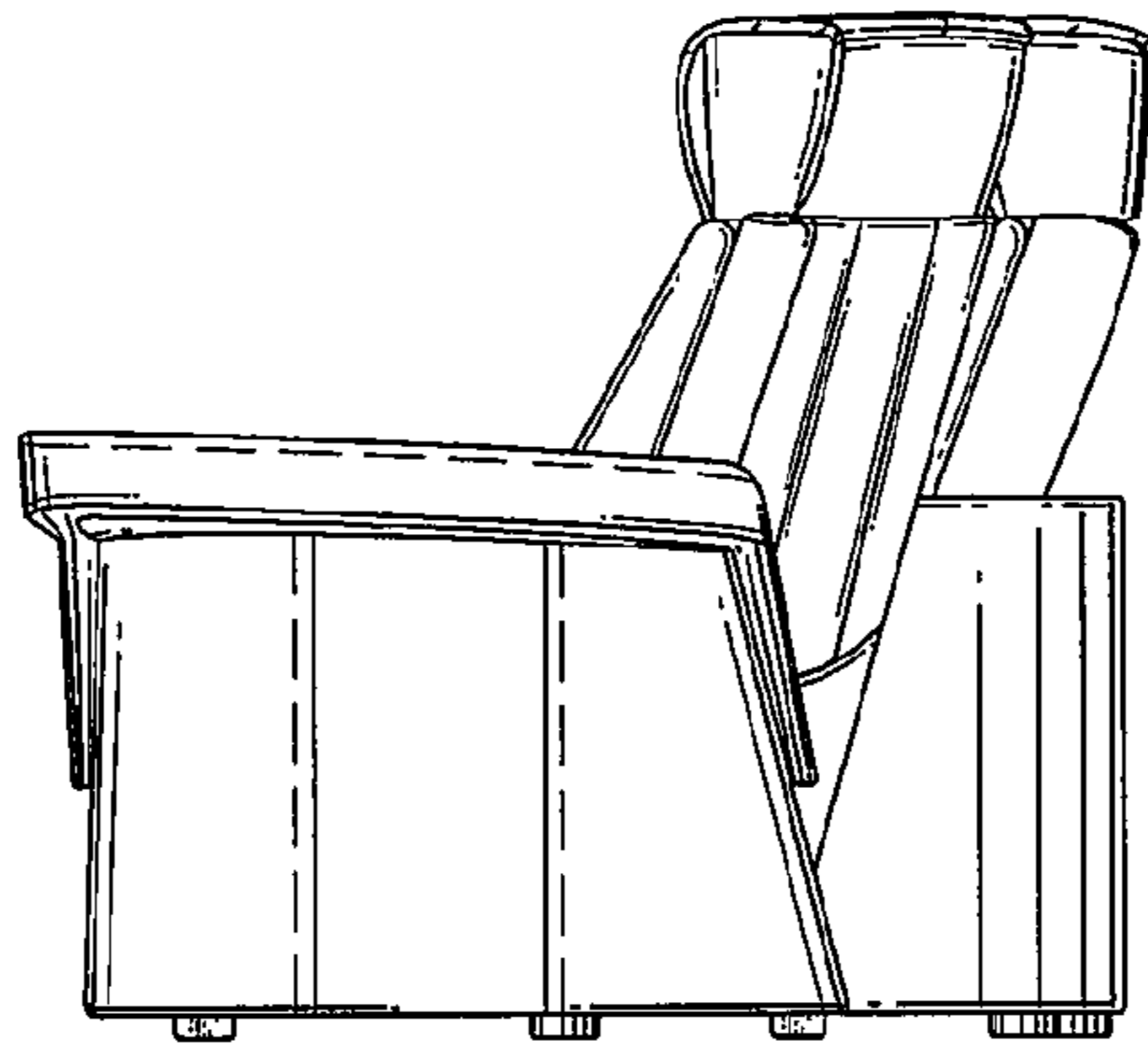
*Fig. 1*



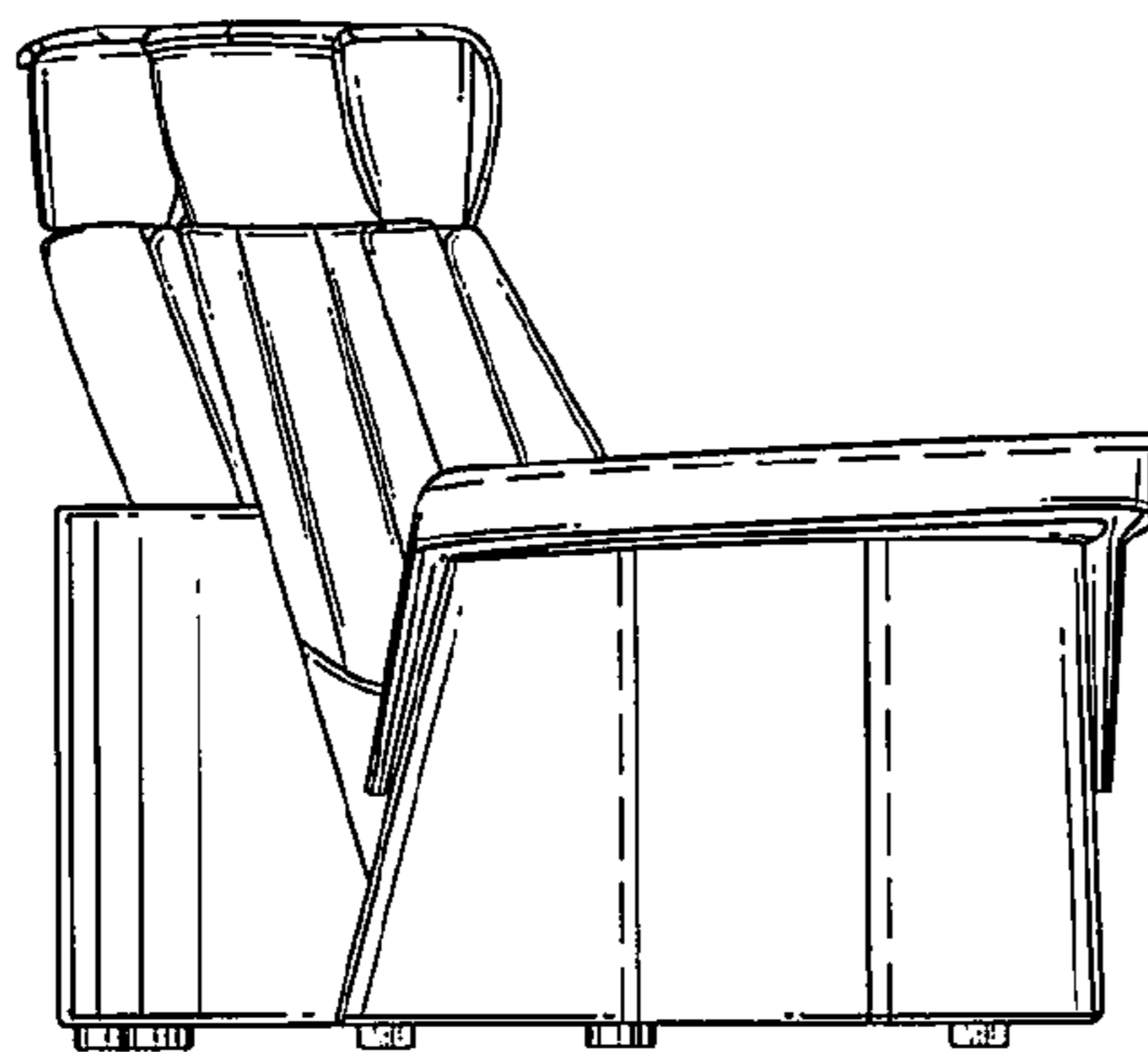
*Fig. 2*



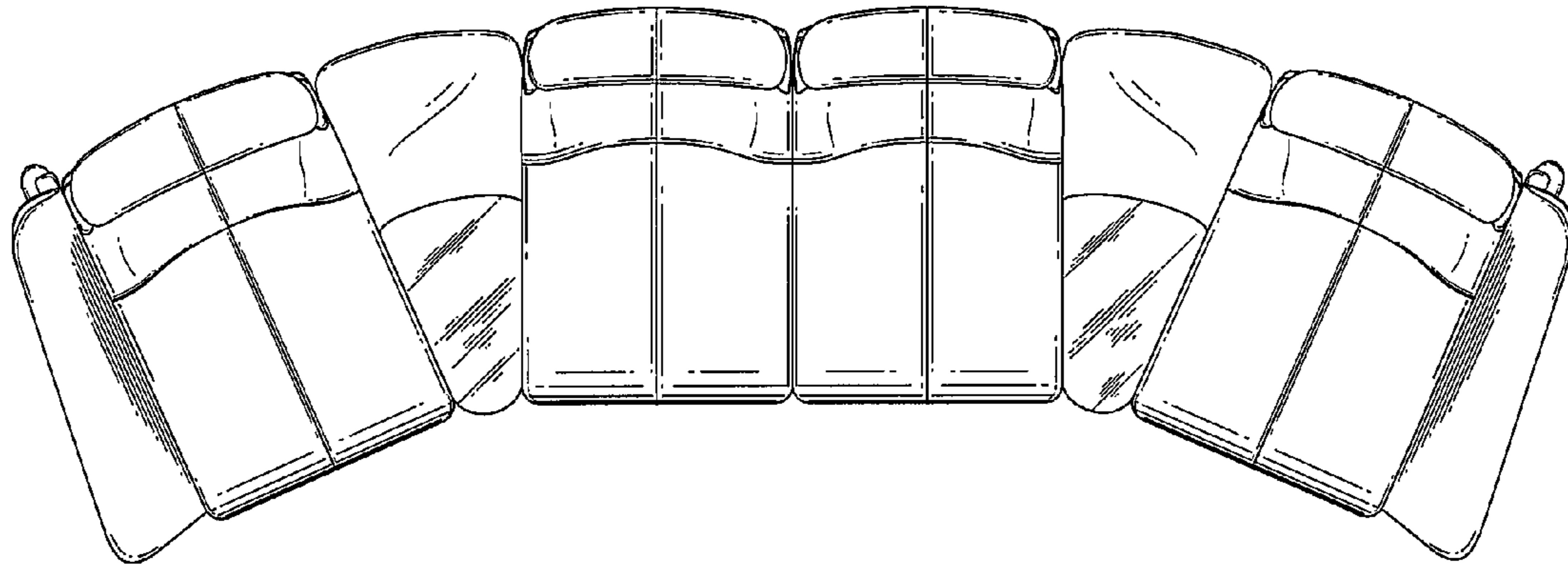
*Fig. 3*



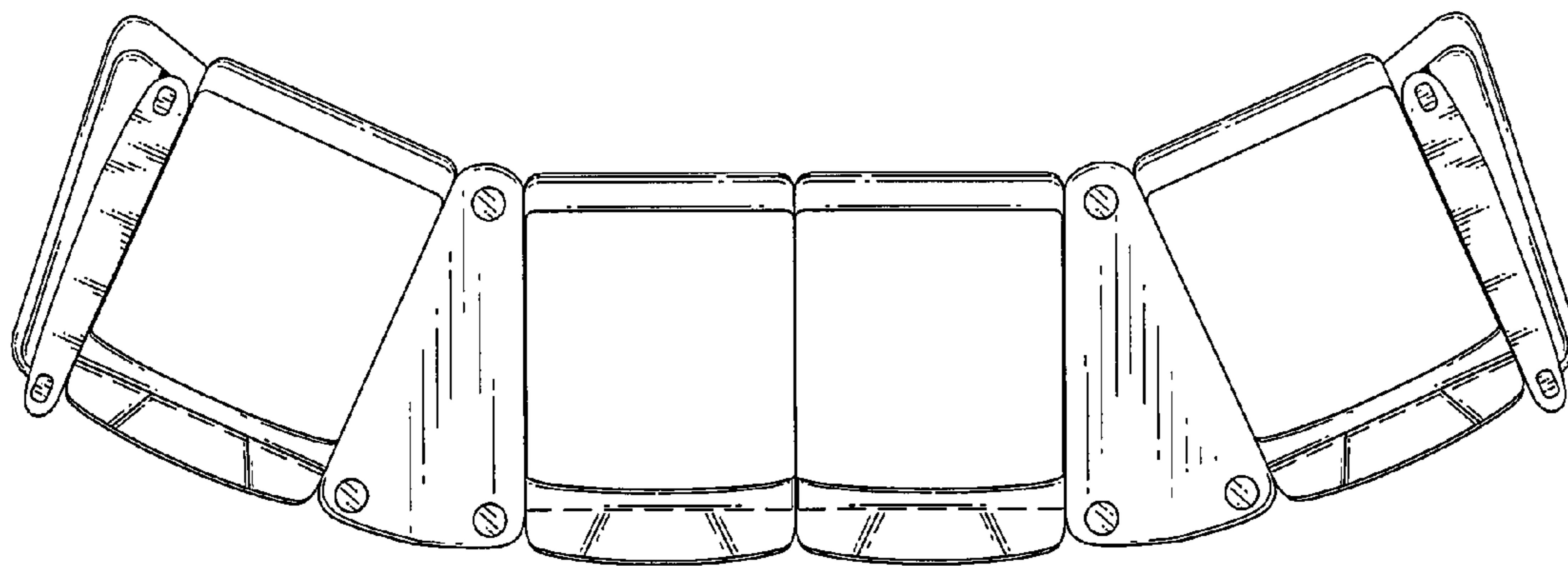
*Fig. 4*



*Fig. 5*



*Fig. 6*



*Fig. 7*