



US00D681363S

(12) **United States Design Patent**
Porter et al.

(10) **Patent No.:** **US D681,363 S**

(45) **Date of Patent:** **** May 7, 2013**

(54) **FUTON FRAME**

(75) Inventors: **Howard Porter**, Kuala Lumpur (MY);
Joel Grossman, Petaling Jaya (MY)

(73) Assignee: **Night and Day Furniture LLC**,
Vancouver, WA (US)

(**) Term: **14 Years**

(21) Appl. No.: **29/415,106**

(22) Filed: **Mar. 7, 2012**

(51) **LOC (9) Cl.** **06-01**

(52) **U.S. Cl.**
USPC **D6/381**

(58) **Field of Classification Search** D6/334-338,
D6/349, 355, 361, 368-370, 376, 379-381,
D6/492, 500-502; 297/16.1, 42, 94, 135,
297/175, 232, 233, 350, 351, 445.1, 448.1,
297/448.2, 451.9; 5/12.1, 12.2

See application file for complete search history.

(56) **References Cited**

U.S. PATENT DOCUMENTS

379,278	A	*	3/1888	Zeinfeld et al.	411/293
D350,858	S	*	9/1994	Warren	D6/381
D368,173	S	*	3/1996	Kramer	D6/370
D413,449	S	*	9/1999	Hornyak	D6/370
D423,830	S	*	5/2000	Schlichter et al.	D6/492
D425,339	S	*	5/2000	Schlichter et al.	D6/492
D426,407	S	*	6/2000	Schlichter et al.	D6/492
D463,171	S	*	9/2002	Pathiratne	D6/492
D465,676	S	*	11/2002	Pathiratne	D6/492
D480,584	S	*	10/2003	Pathiratne	D6/492

D527,553	S	*	9/2006	Porter	D6/495
D549,978	S	*	9/2007	Hunziker	D6/370
D567,531	S	*	4/2008	Lamb et al.	D6/381
D574,637	S	*	8/2008	Porter et al.	D6/492

* cited by examiner

Primary Examiner — Sandra Snapp

(74) *Attorney, Agent, or Firm* — Harness, Dickey & Pierce,
P.L.C.

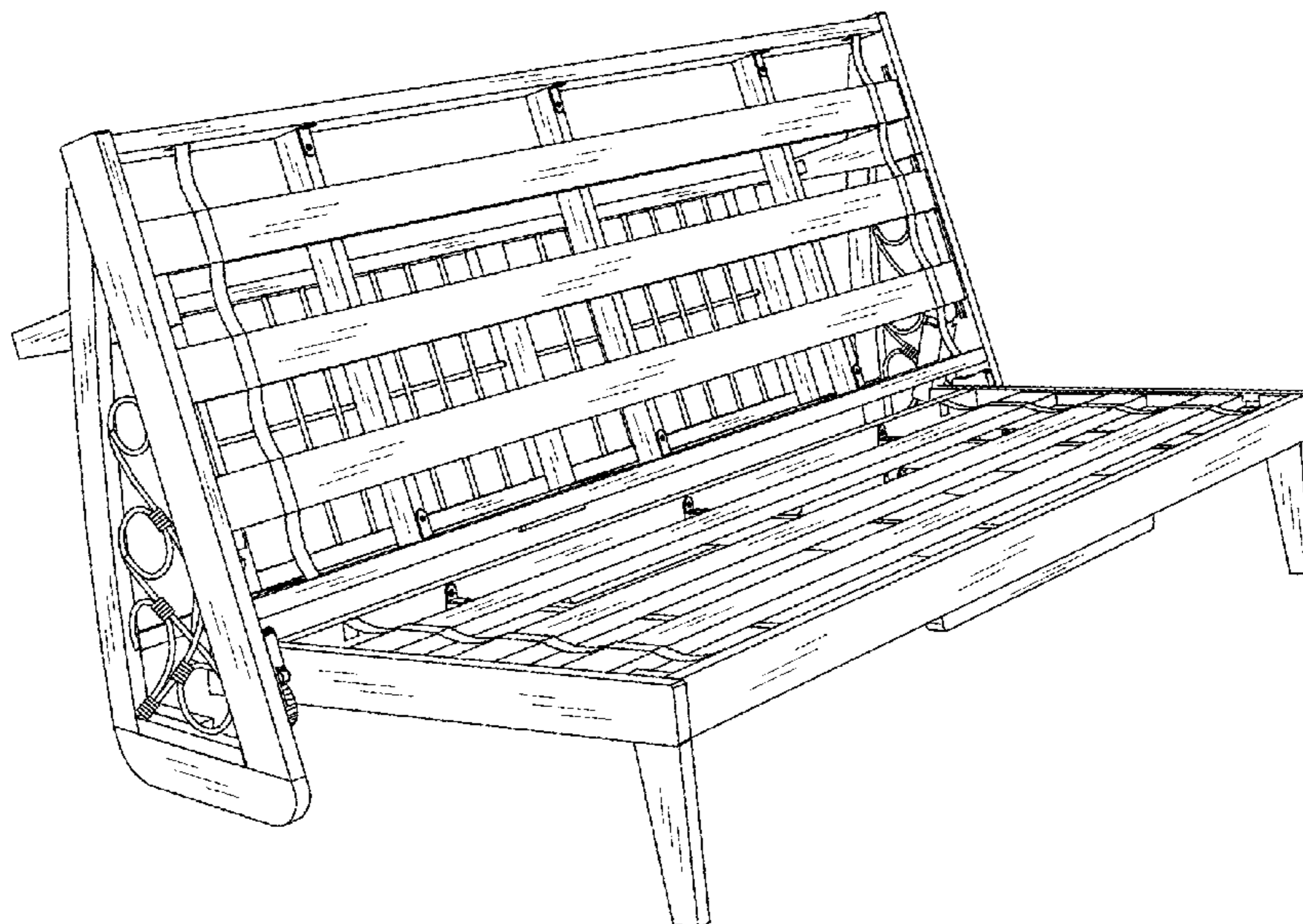
(57) **CLAIM**

The ornamental design for a futon frame, as shown and described.

DESCRIPTION

FIG. 1 is a front, left side perspective view of the futon frame in a seating position;
 FIG. 2 is a front elevation view of the futon frame in the seating position;
 FIG. 3 is a front, left side perspective view of the futon frame in a sleeping position;
 FIG. 4 is a rear, right side perspective view of the futon frame in a sleeping position;
 FIG. 5 is a rear, left side perspective view of the futon frame in a seating position;
 FIG. 6 is a left side elevation view of the futon frame in a seating position;
 FIG. 7 is a rear, left side perspective view of the futon frame in a seating position;
 FIG. 8 is a rear elevation view of the futon frame in a seating position;
 FIG. 9 is a top plan view of the futon frame in a seating position; and,
 FIG. 10 is a top plan view of the futon frame in a sleeping position.

1 Claim, 5 Drawing Sheets



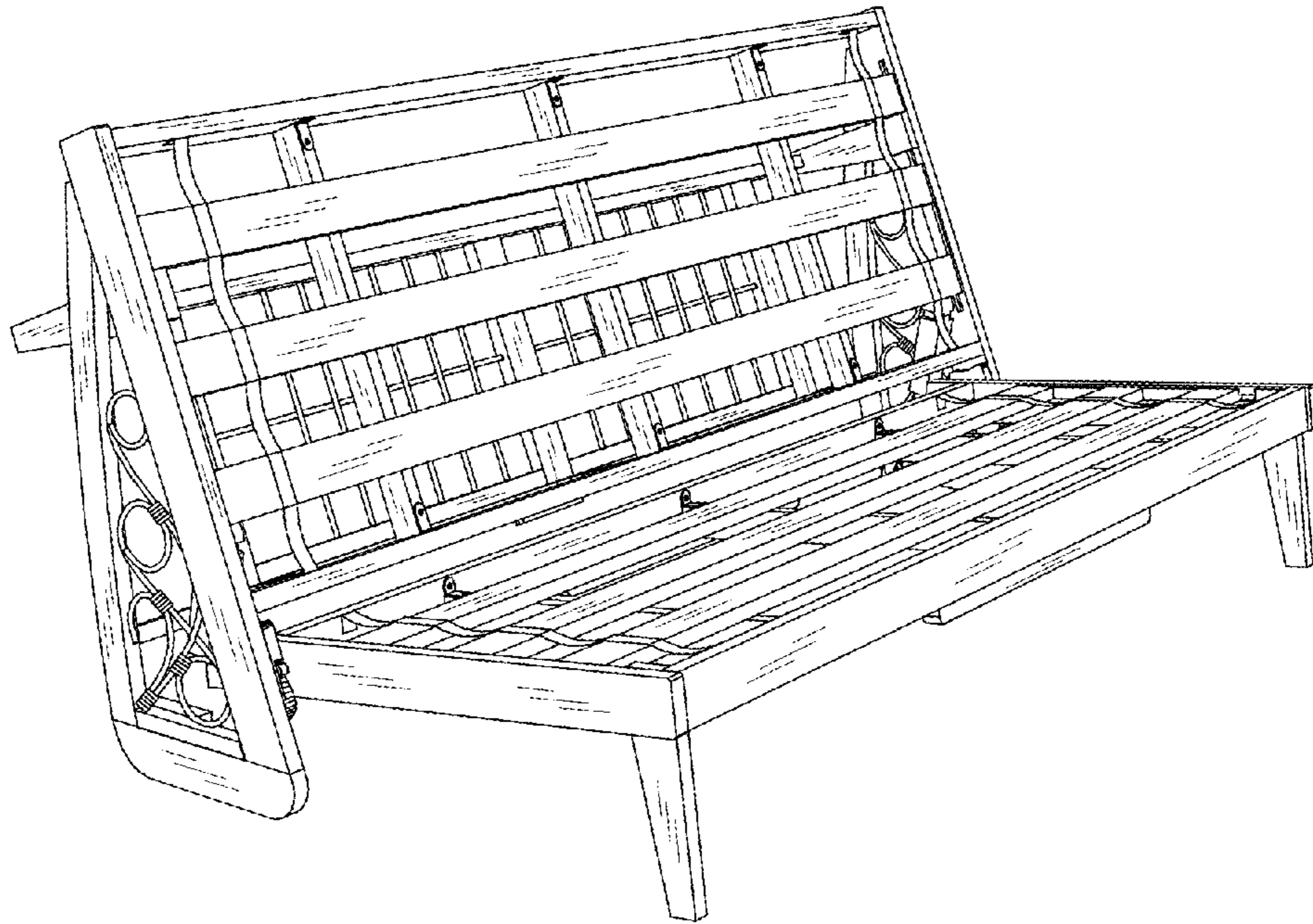


Figure. 1

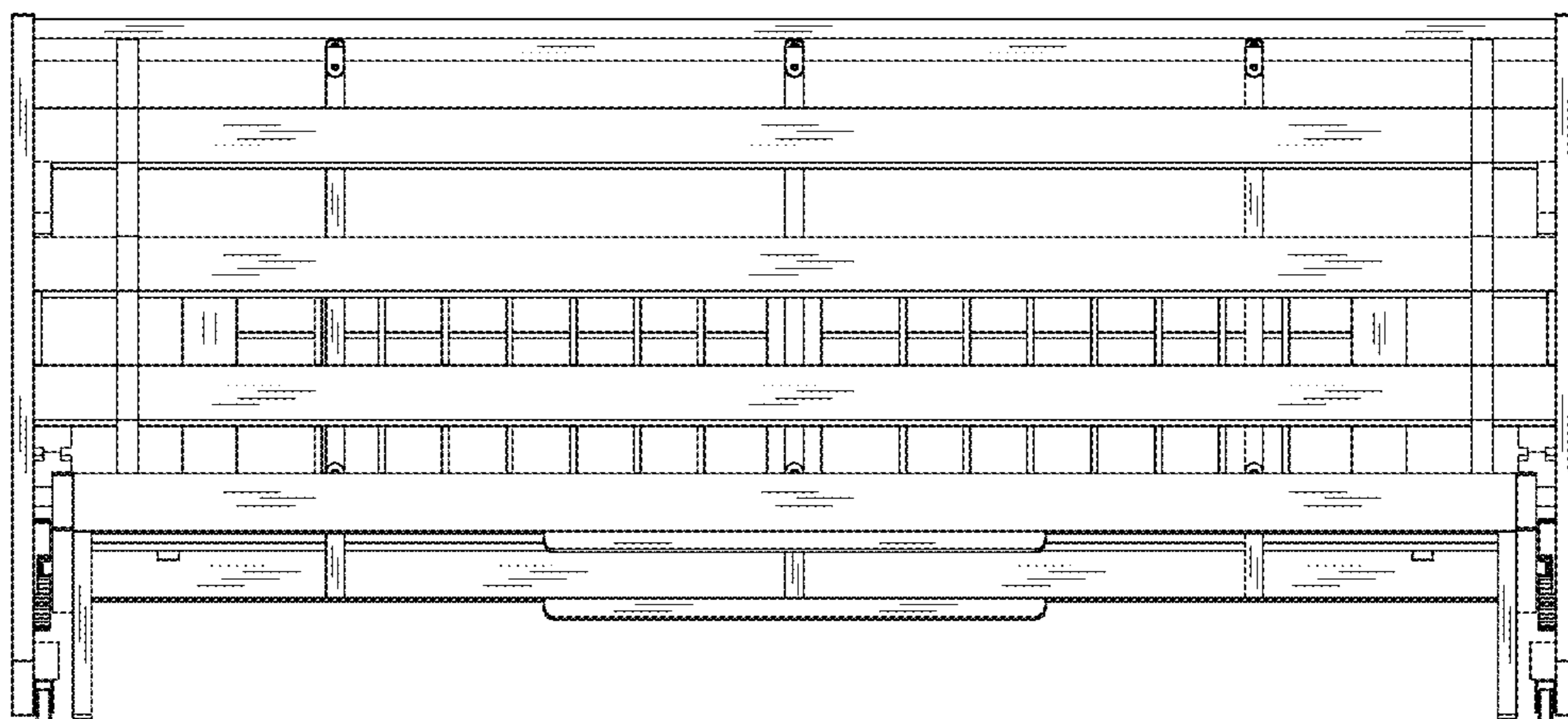


Figure. 2

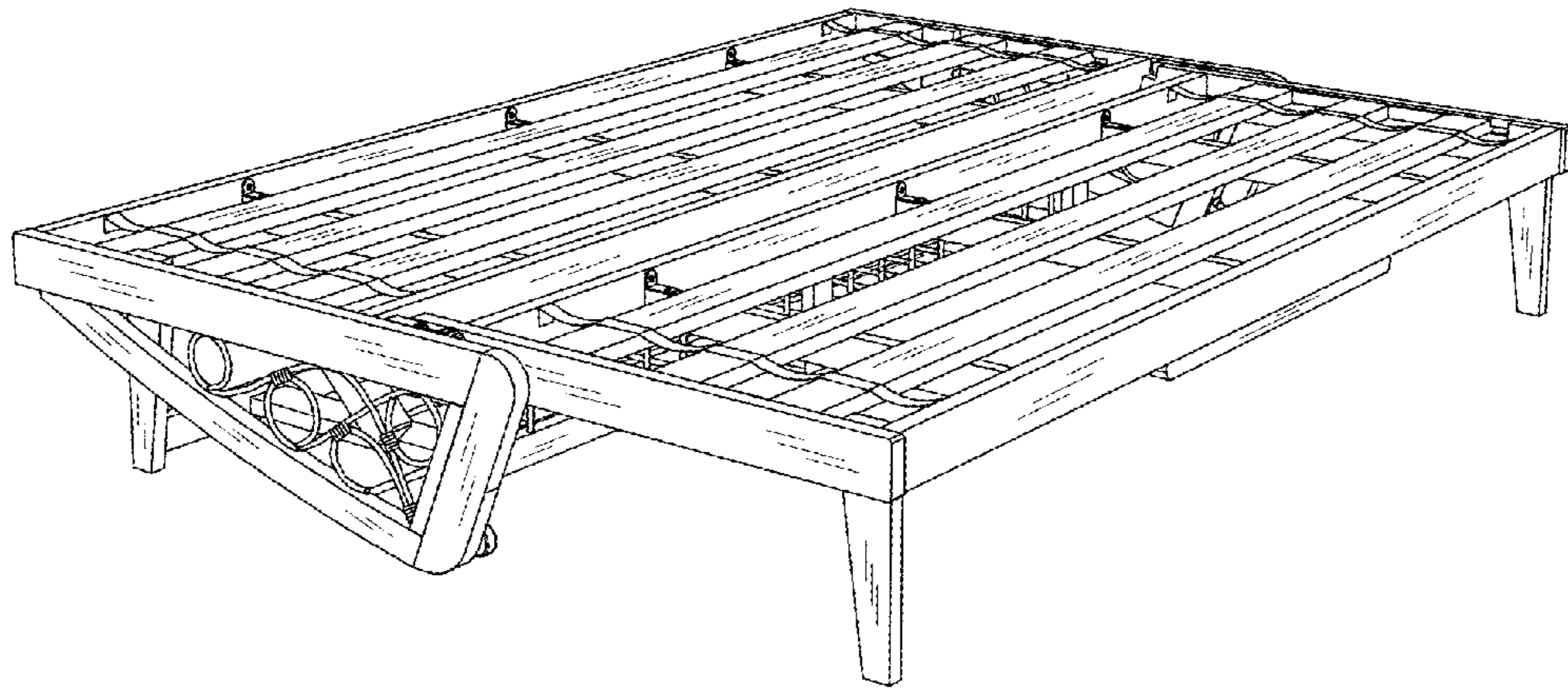


Figure. 3

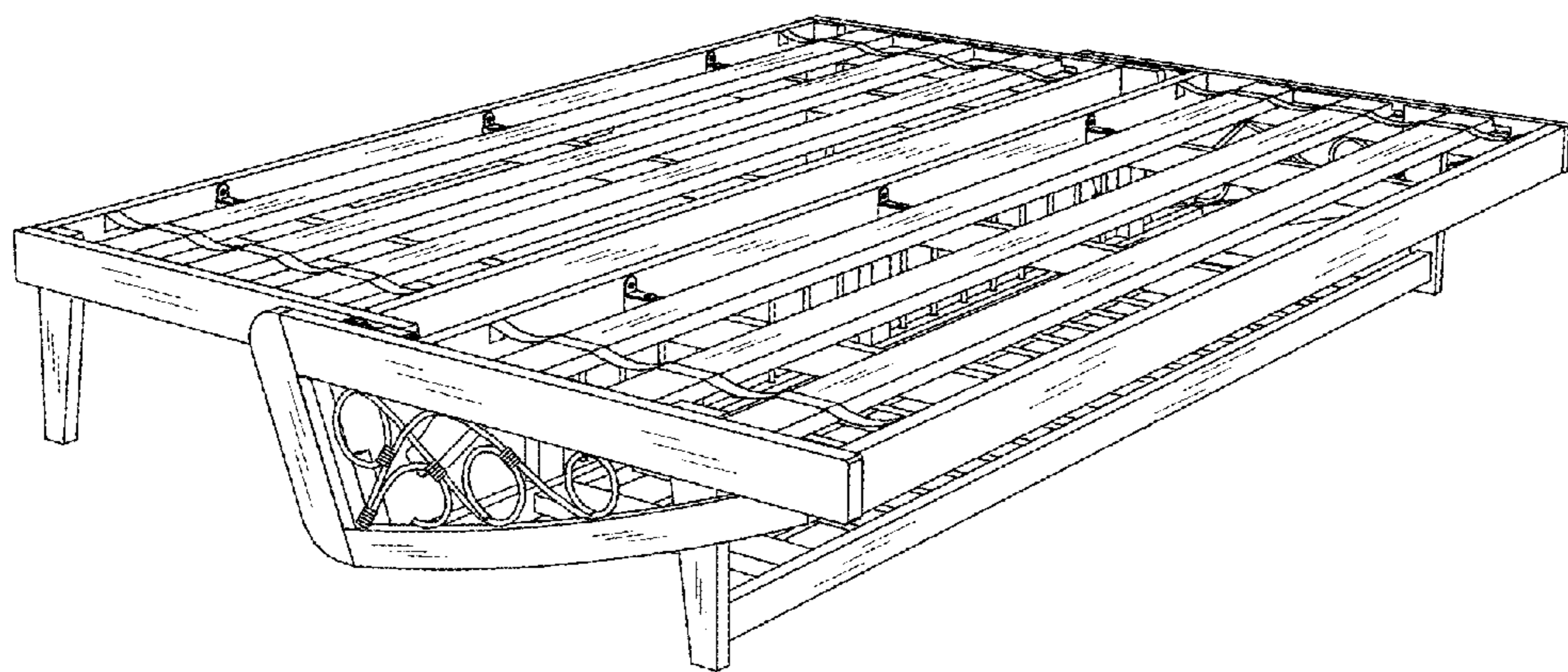


Figure. 4

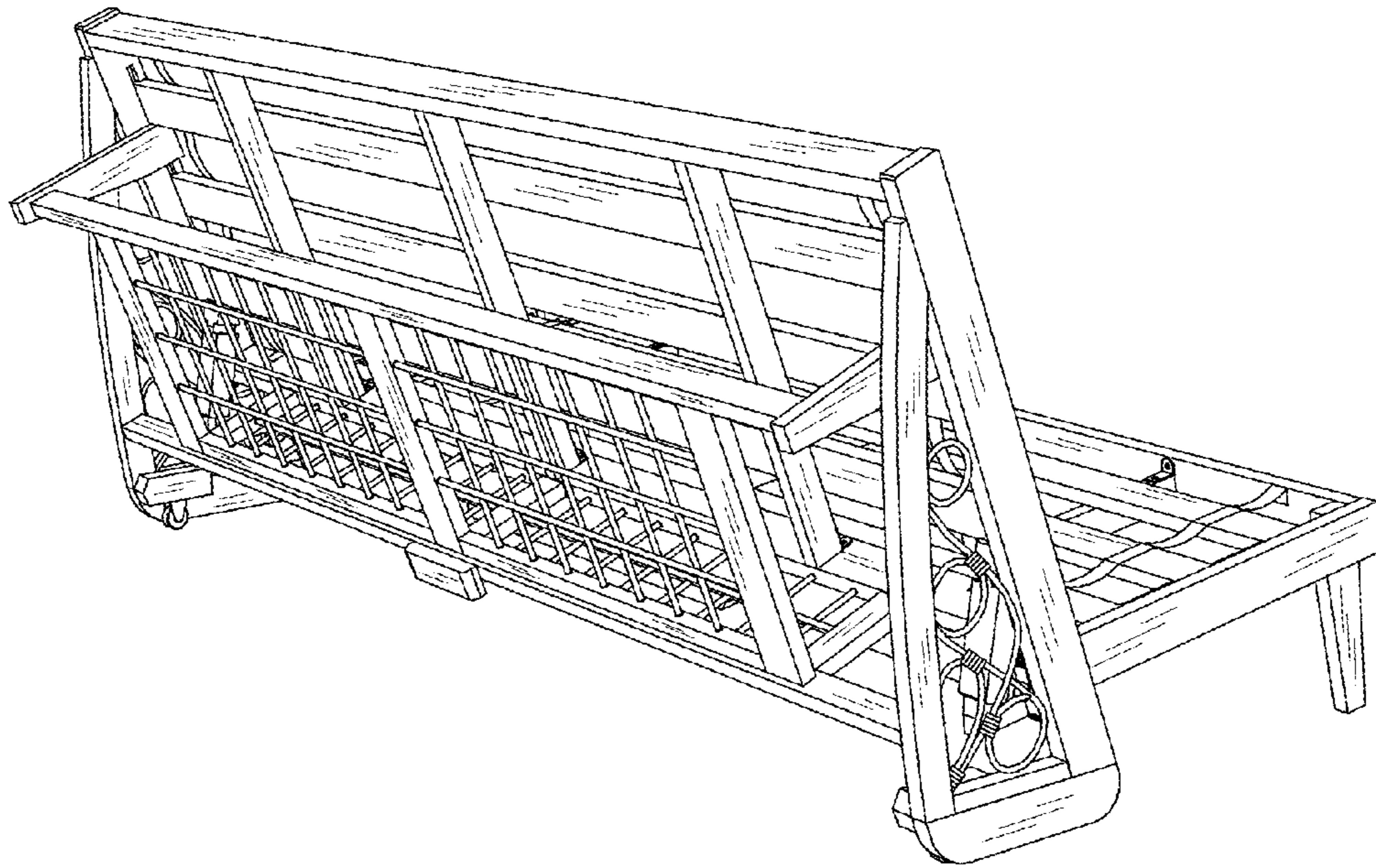


Figure. 5

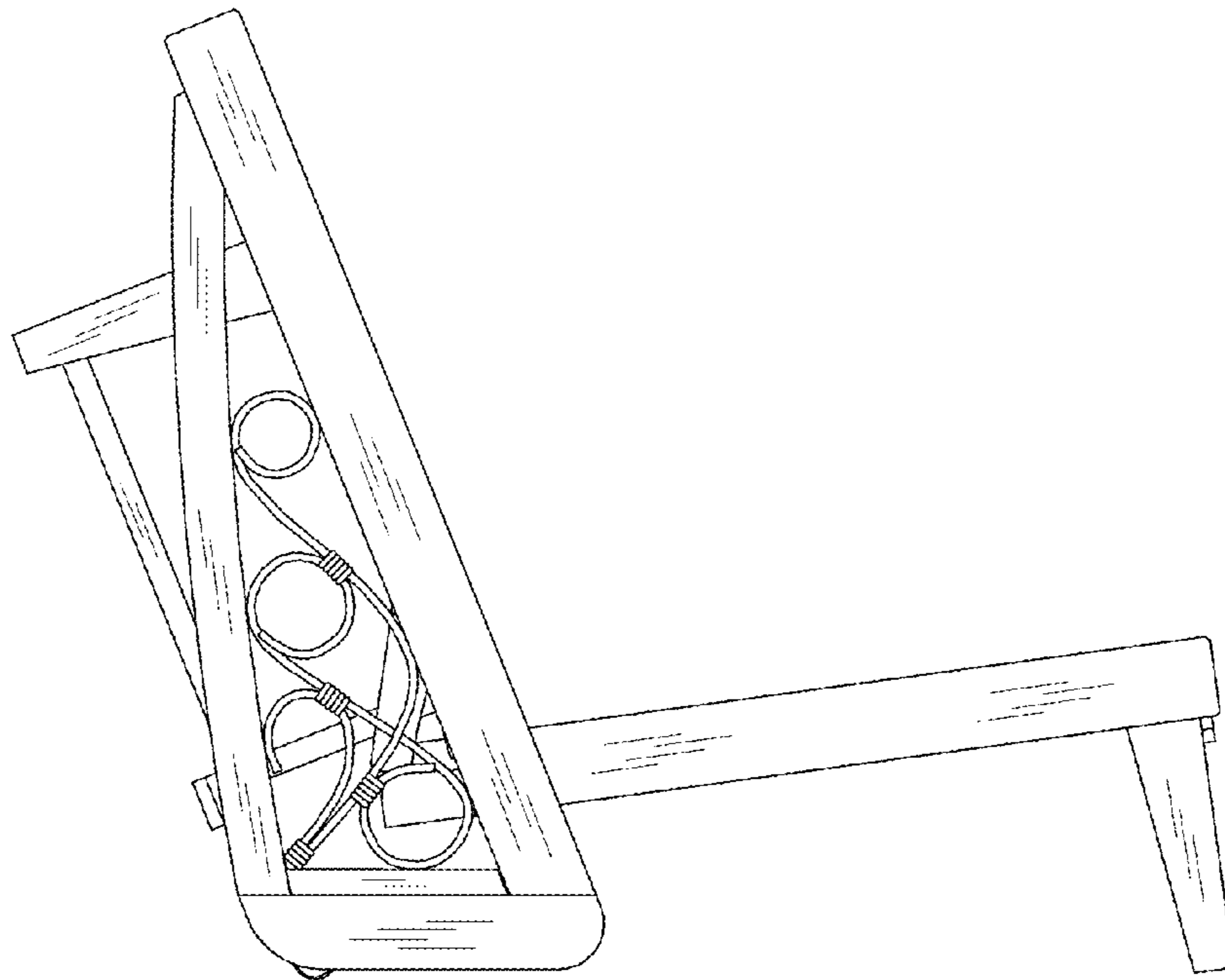


Figure. 6

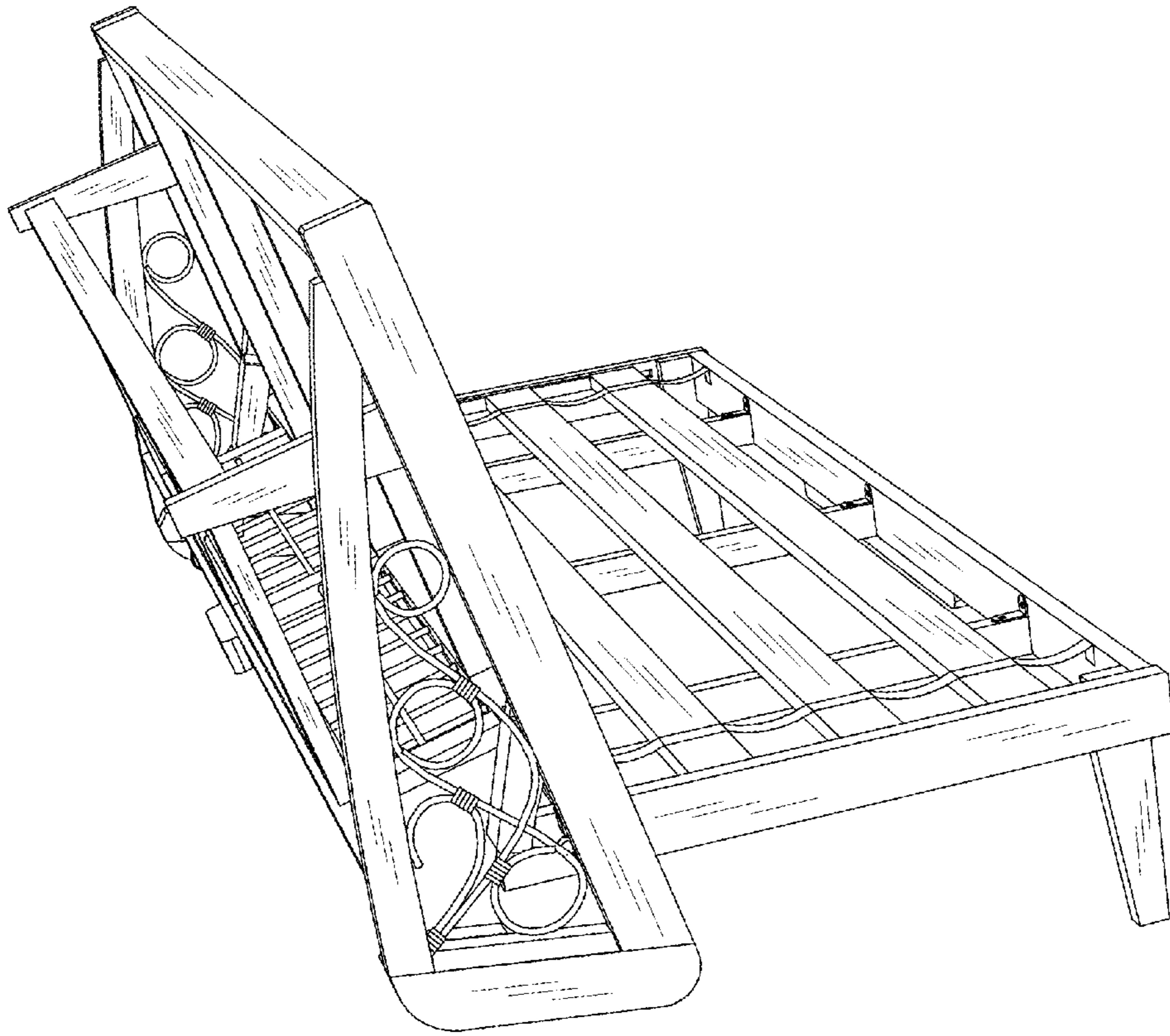


Figure. 7

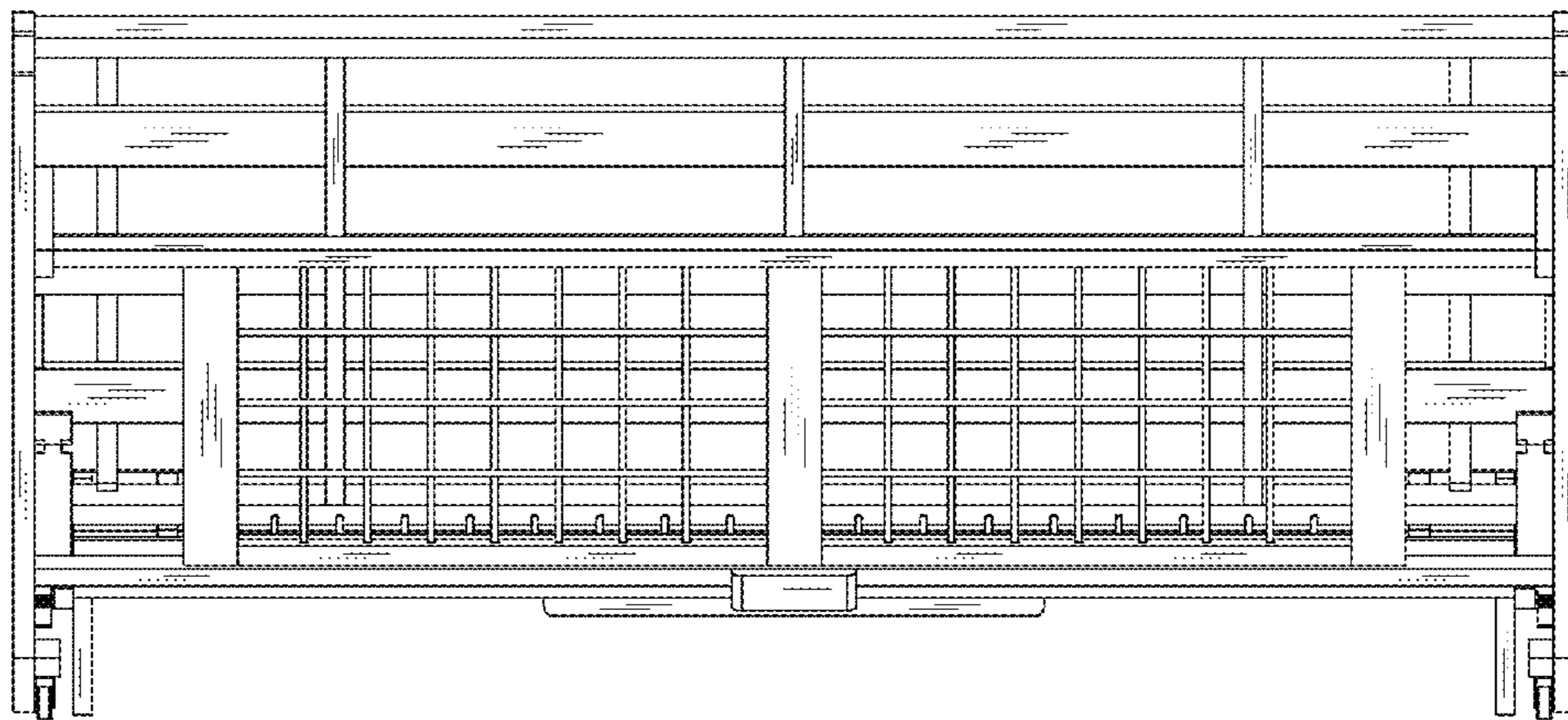


Figure. 8

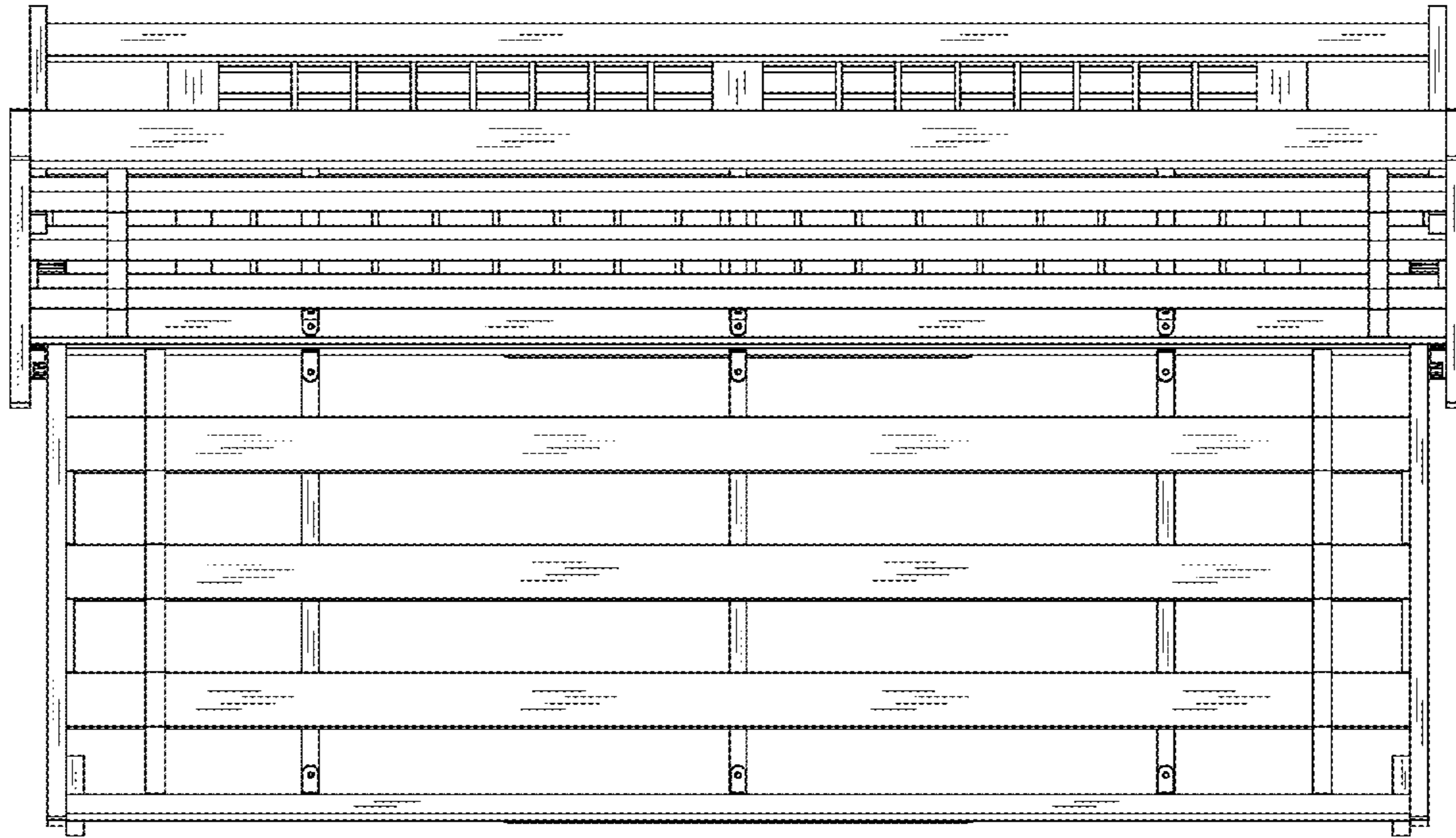


Figure. 9

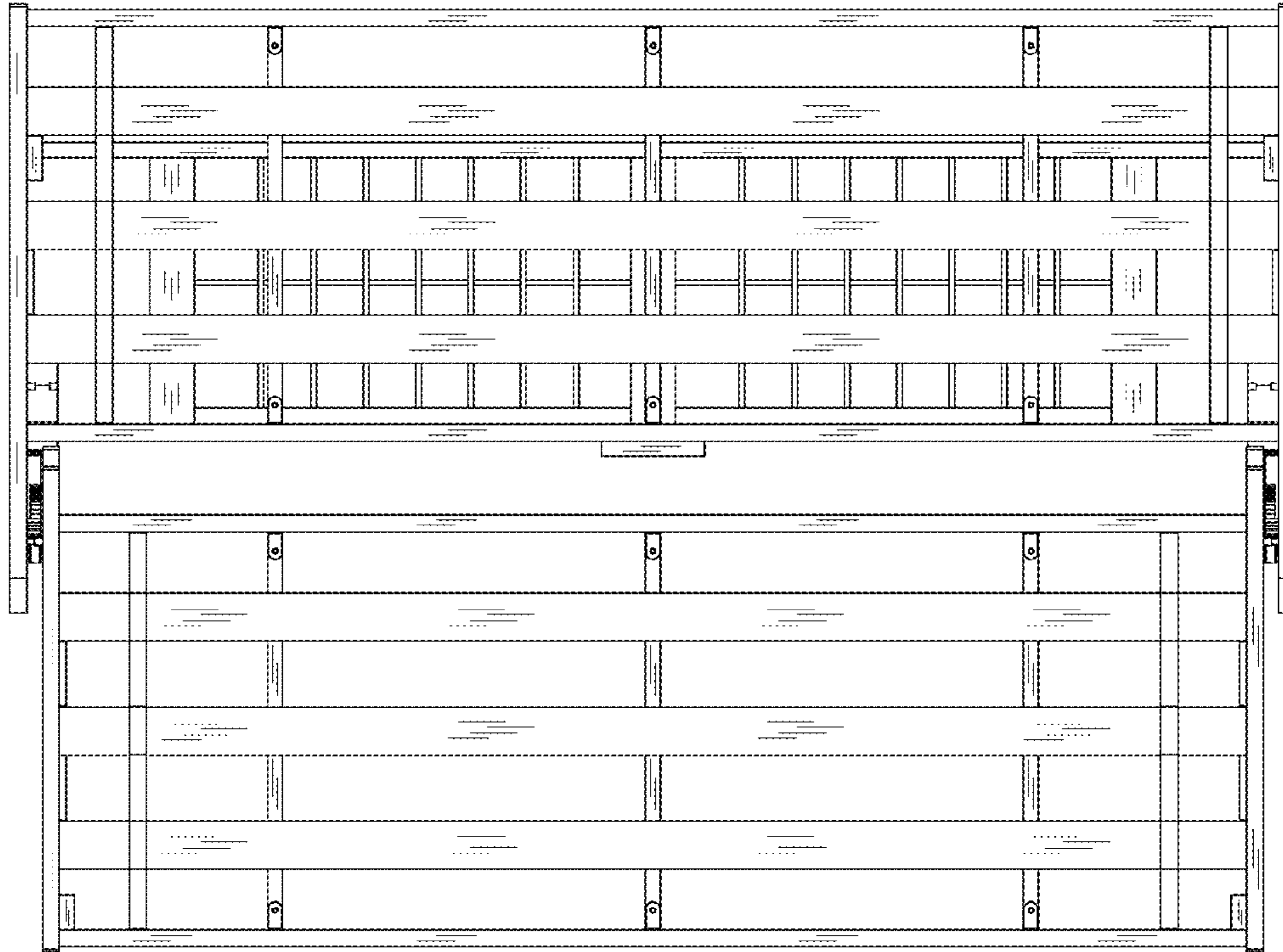


Figure. 10