



US00D681361S

(12) **United States Design Patent**
Silver et al.

(10) **Patent No.:** **US D681,361 S**

(45) **Date of Patent:** **** May 7, 2013**

(54) **SOFA**

(75) Inventors: **Martin Silver**, Boca Raton, FL (US);
Joshua Silver, Boca Raton, FL (US)

(73) Assignee: **Max Home, LLC**, Fulton, MI (US)

(**) Term: **14 Years**

(21) Appl. No.: **29/355,093**

(22) Filed: **Feb. 2, 2010**

(51) **LOC (9) Cl.** **06-01**

(52) **U.S. Cl.**
USPC **D6/377**

(58) **Field of Classification Search** D6/361,
D6/334–335, 371, 373, 377, 381, 500–502;
297/445.1, 446.1, 232–233, 184.1; 5/12.1
See application file for complete search history.

(56) **References Cited**

U.S. PATENT DOCUMENTS

| | | | |
|--------------|---------|-----------------------|--------|
| D174,584 S * | 4/1955 | Michlin | D6/377 |
| D181,738 S * | 12/1957 | Lubberts et al. | D6/377 |
| D240,481 S * | 7/1976 | Fister, Jr. | D6/378 |
| D245,951 S * | 10/1977 | Lande | D6/336 |
| D290,559 S * | 6/1987 | Raftery | D6/381 |
| D311,283 S * | 10/1990 | Warren | D6/378 |
| D339,246 S * | 9/1993 | Hutton | D6/377 |
| D388,630 S * | 1/1998 | Lowman et al. | D6/381 |
| D404,930 S * | 2/1999 | Gibson | D6/377 |
| D484,712 S * | 1/2004 | Gomez | D6/377 |
| D484,713 S * | 1/2004 | Gomez | D6/381 |
| D485,086 S * | 1/2004 | Gomez | D6/381 |
| D518,302 S * | 4/2006 | Tapinassi et al. | D6/361 |
| D539,559 S * | 4/2007 | Policicchio | D6/381 |
| D547,967 S * | 8/2007 | Oldham | D6/381 |

| | | | |
|--------------|---------|-----------------------|--------|
| D552,870 S * | 10/2007 | Natuzzi | D6/381 |
| D562,021 S * | 2/2008 | Smith et al. | D6/381 |
| D562,022 S * | 2/2008 | Hackethal et al. | D6/381 |
| D566,417 S * | 4/2008 | Mourgue | D6/381 |
| D576,820 S * | 9/2008 | Priestman | D6/381 |
| D587,029 S * | 2/2009 | Mourgue | D6/381 |
| D593,765 S * | 6/2009 | Mourgue | D6/381 |
| D600,042 S * | 9/2009 | Natuzzi | D6/381 |
| D646,499 S * | 10/2011 | Metcalf et al. | D6/378 |
| D647,317 S * | 10/2011 | Urquiola | D6/377 |
| D654,284 S * | 2/2012 | Messenger | D6/378 |
| D656,327 S * | 3/2012 | Metcalf et al. | D6/349 |

* cited by examiner

Primary Examiner — Kelley Donnelly

(74) *Attorney, Agent, or Firm* — Baker Donelson Bearman
Caldwell & Berkowitz, PC

(57) **CLAIM**

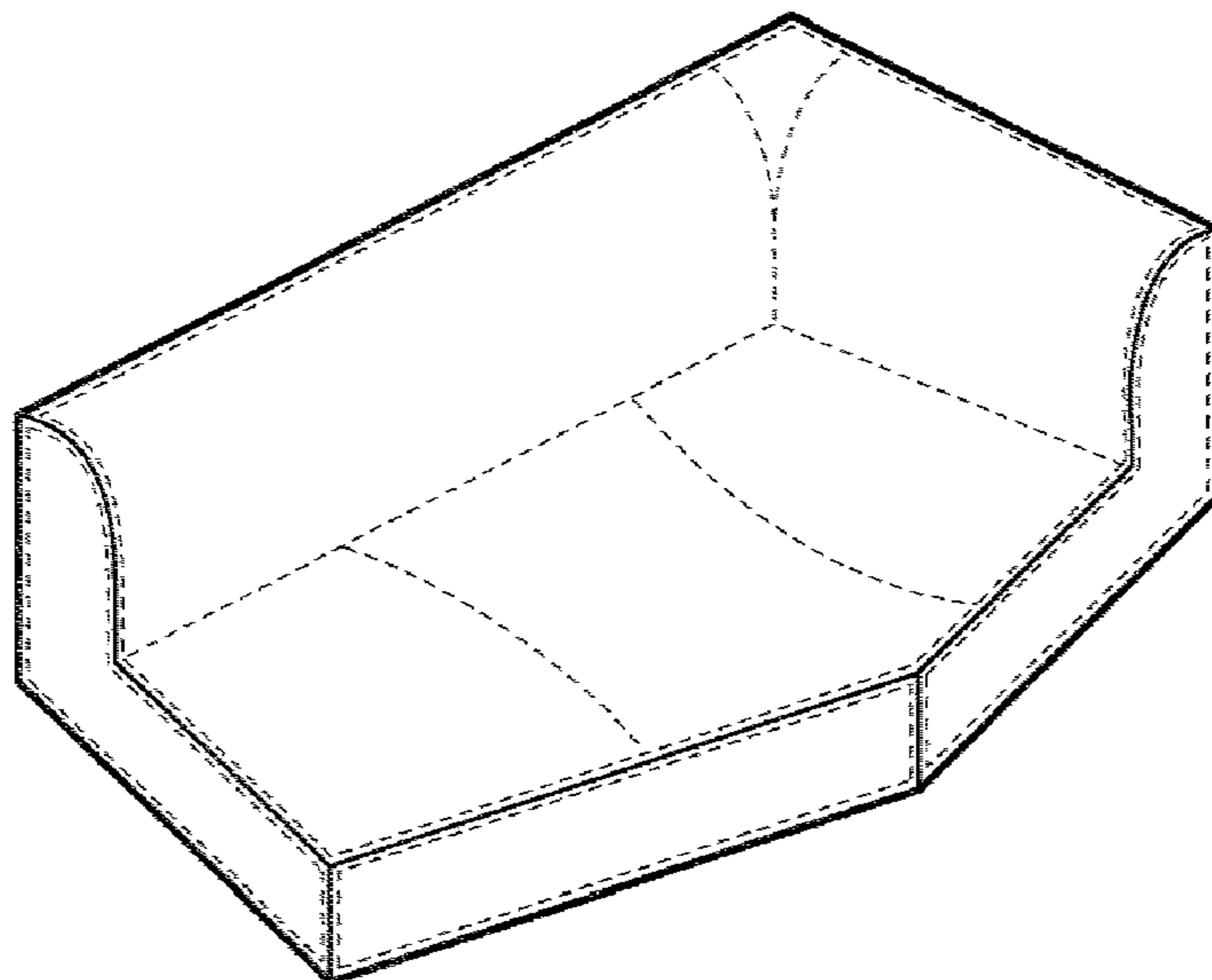
The ornamental design for a sofa, as shown and described.

DESCRIPTION

FIG. 1 is a perspective view of our new design for a sofa;
FIG. 2 is a front elevational view thereof;
FIG. 3 is a back elevational view thereof;
FIG. 4 is a right elevational side view thereof;
FIG. 5 is a top plan view thereof;
FIG. 6 is a left elevational view thereof;
FIG. 7 is a top plan view of a sofa showing a second embodi-
ment of the design shown in FIG. 1; and,
FIG. 8 is a top plan view of a sofa showing a third embodiment
of the design shown in FIG. 1.

The broken lines showing is included for the purpose of
illustrating environment and forms no part of the claimed
design.

1 Claim, 3 Drawing Sheets



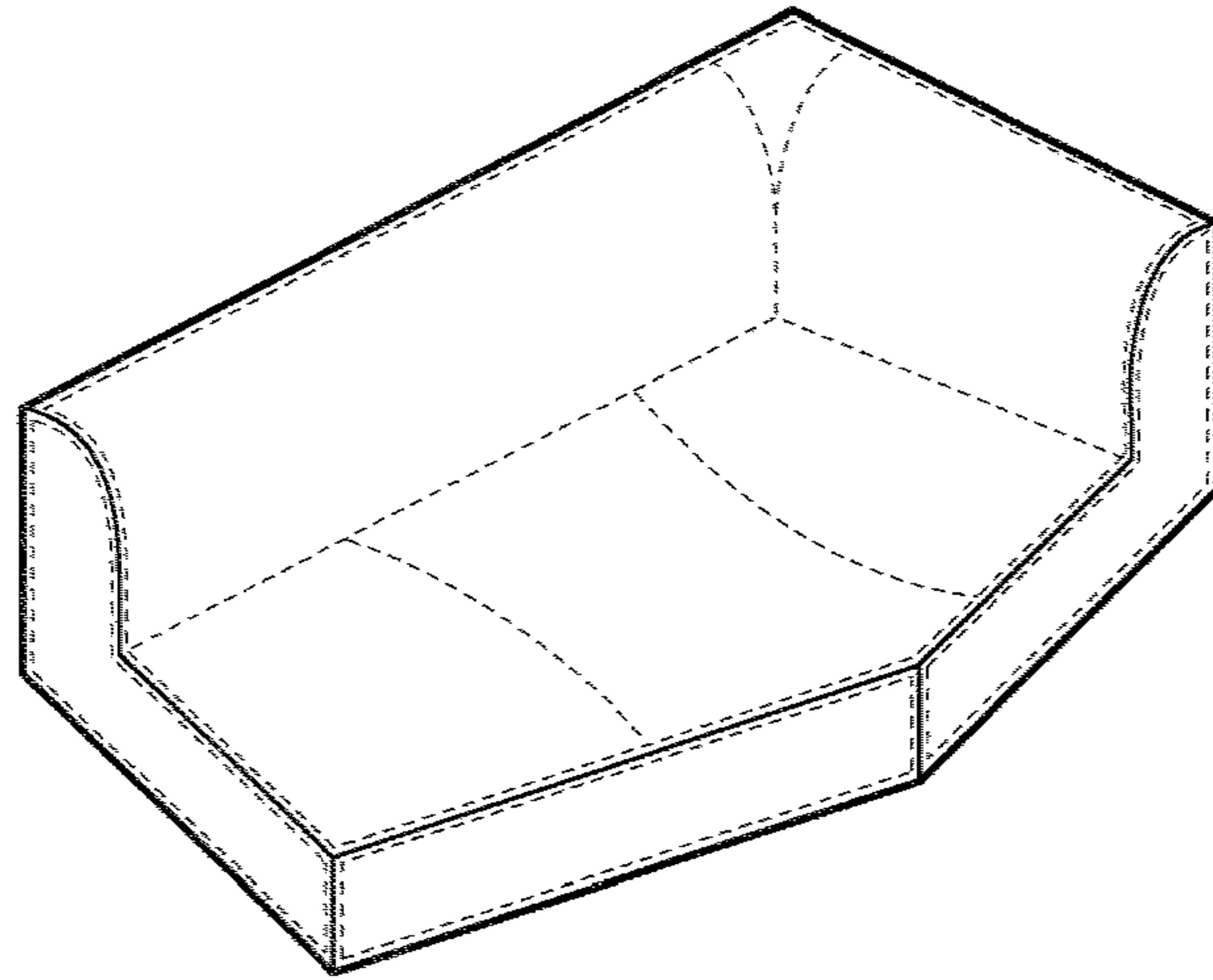


FIG. 1

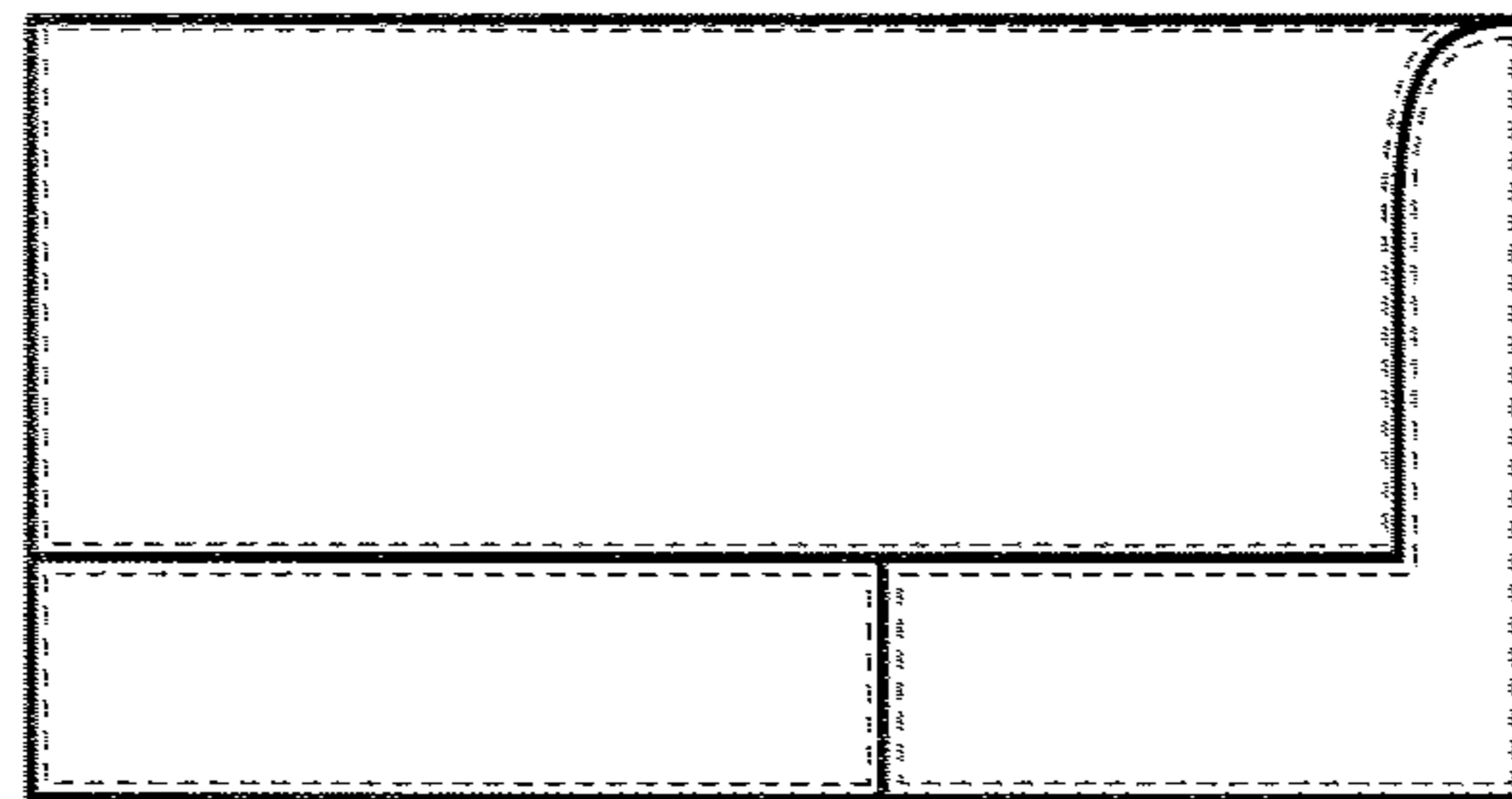


FIG. 2



FIG. 3

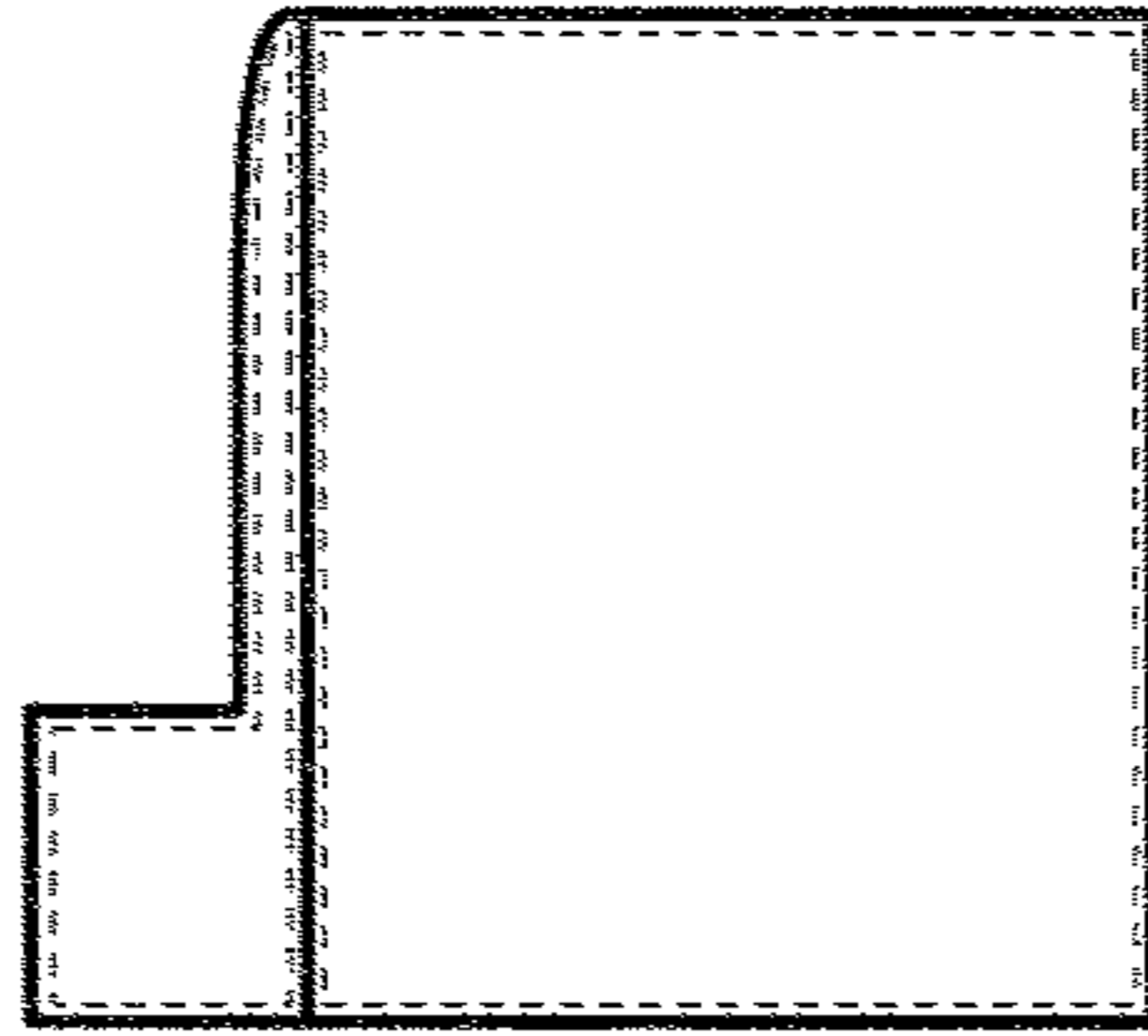


FIG. 4

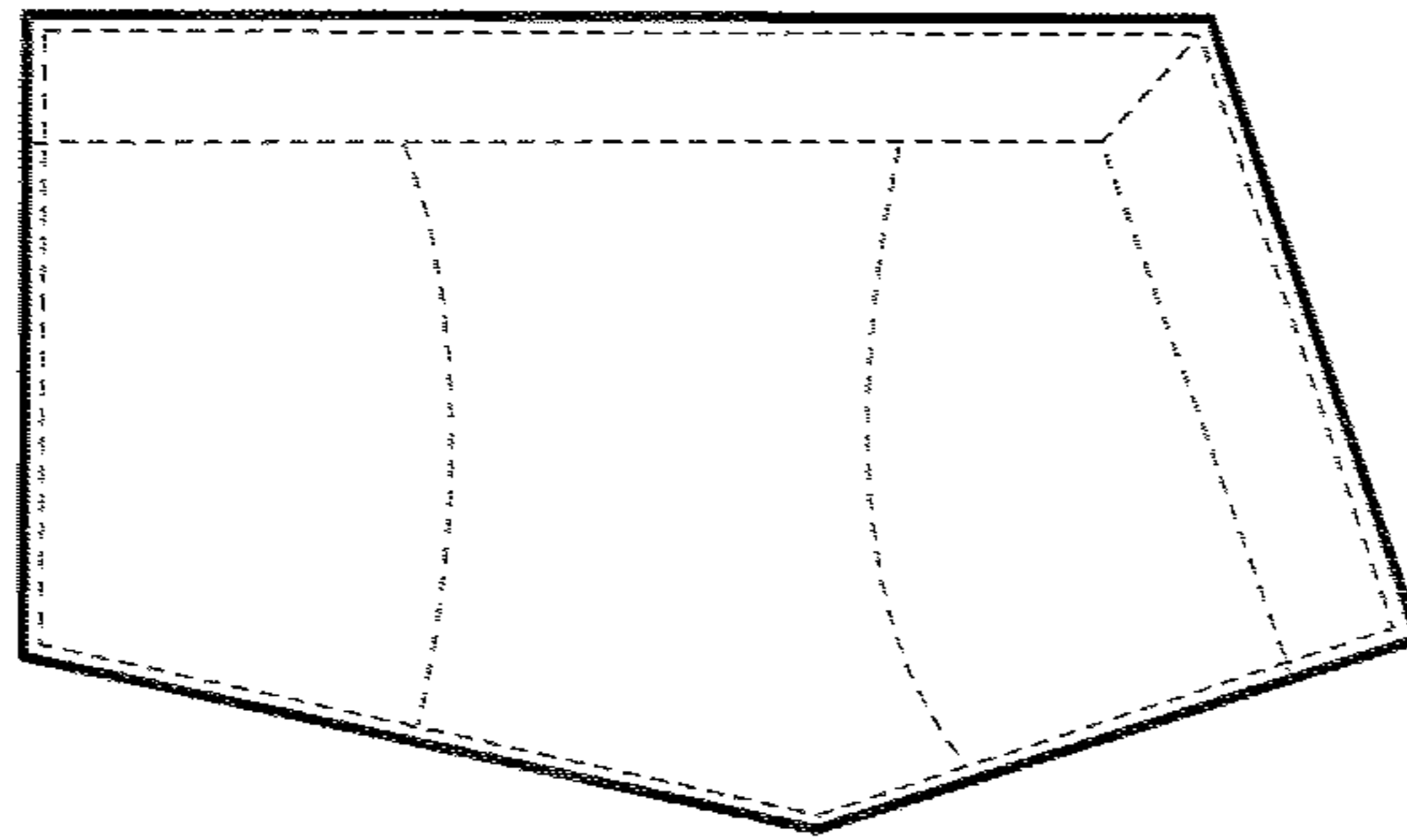


FIG. 5

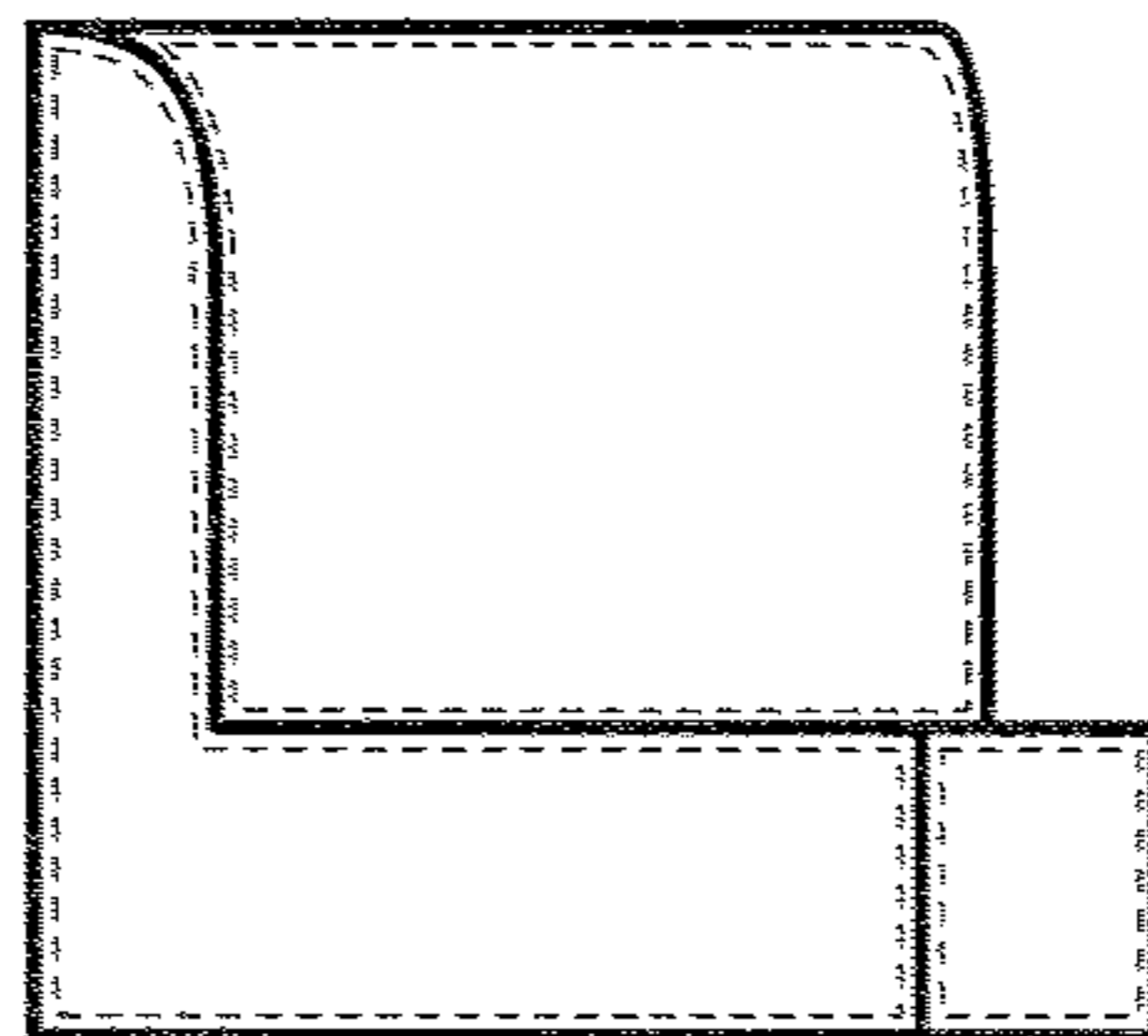


FIG. 6

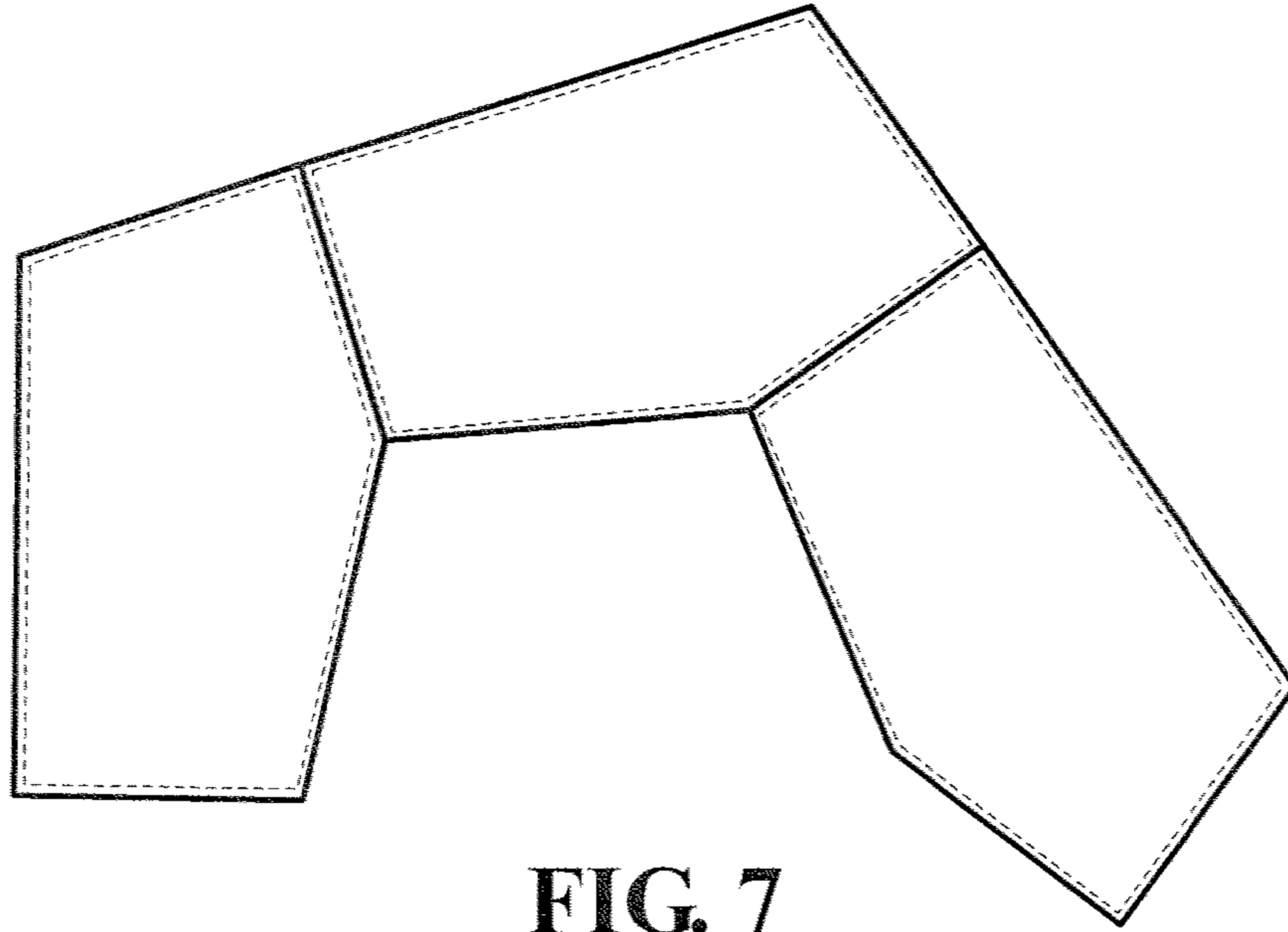


FIG. 7

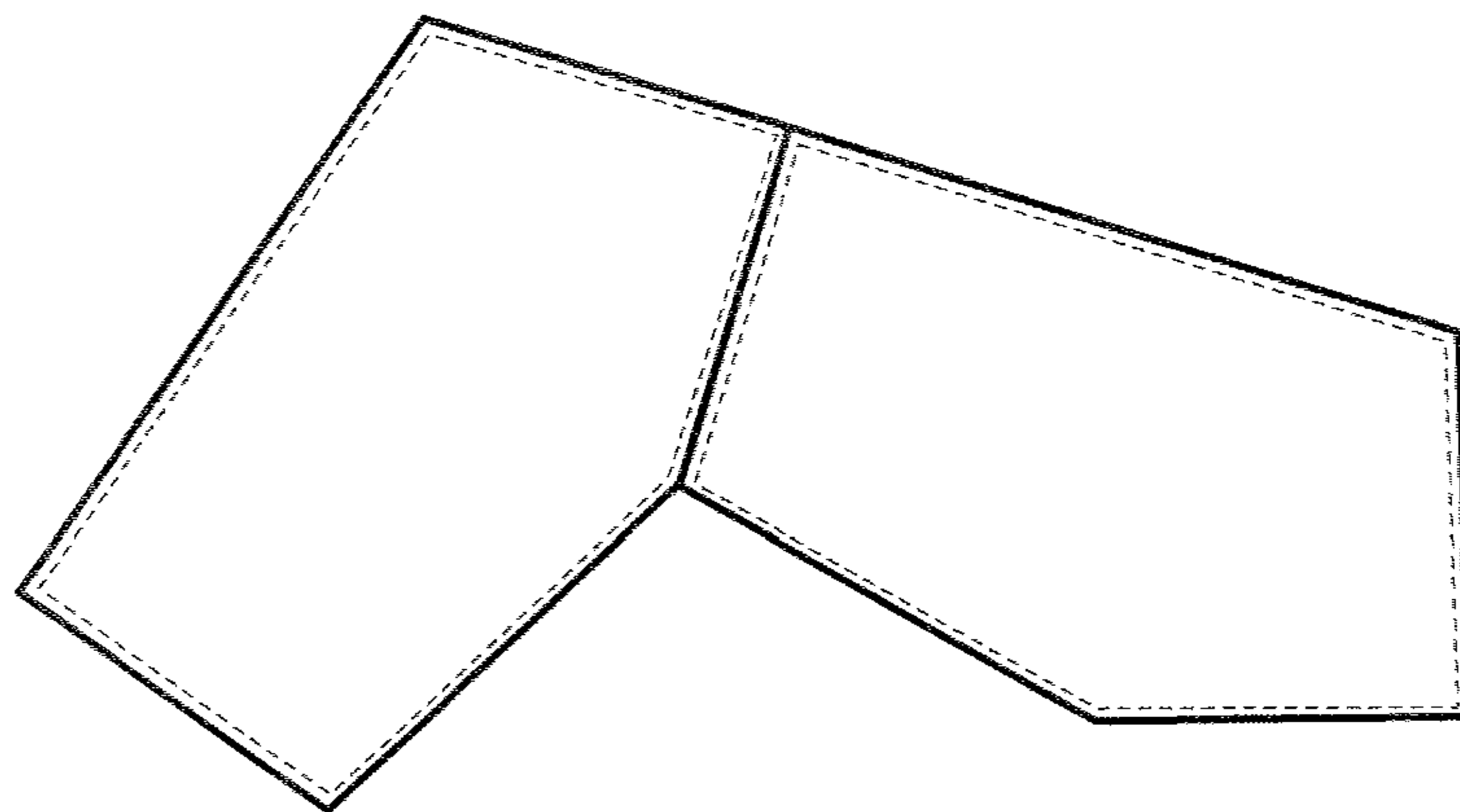


FIG. 8