



US00D681358S

(12) **United States Design Patent**  
**Sjöstrand et al.**

(10) **Patent No.:** **US D681,358 S**

(45) **Date of Patent:** **\*\* May 7, 2013**

(54) **SHOWER STOOL**

(75) Inventors: **Ulf Sjöstrand**, Anderstorp (SE); **Örjan Nilsson**, Jönköping (SE)

(73) Assignee: **Etac AB**, Kista (SE)

(\*\*) Term: **14 Years**

(21) Appl. No.: **29/402,737**

(22) Filed: **Sep. 27, 2011**

(30) **Foreign Application Priority Data**

Mar. 28, 2011 (EM) ..... 001841743-0003  
Mar. 28, 2011 (EM) ..... 001841743-0004

(51) **LOC (9) Cl.** ..... **06-01**

(52) **U.S. Cl.**  
USPC ..... **D6/349**

(58) **Field of Classification Search** ..... D6/335,  
D6/340, 344, 349–355, 495, 500–502, 362,  
D6/374, 601; 297/16.1, 175, 187, 195.1,  
297/423.1, 423.11, 423.14, 423.16, 461,  
297/462

See application file for complete search history.

(56) **References Cited**

**U.S. PATENT DOCUMENTS**

D357,361 S \* 4/1995 Karten et al. .... D6/349  
D446,984 S \* 8/2001 Treon ..... D6/601  
D456,660 S \* 5/2002 Landvik ..... D6/601  
D478,750 S \* 8/2003 Gilbert et al. .... D6/500  
D478,752 S \* 8/2003 Gilbert et al. .... D6/502  
D513,571 S \* 1/2006 Haack ..... D6/601  
D516,346 S \* 3/2006 Cobb ..... D6/502  
D536,889 S \* 2/2007 Self et al. .... D6/362

D542,546 S \* 5/2007 Rubio ..... D6/349  
D580,188 S \* 11/2008 Self et al. .... D6/353  
D589,269 S \* 3/2009 Allende ..... D6/349  
D591,521 S \* 5/2009 Luxton et al. .... D6/362  
D600,928 S \* 9/2009 Rake ..... D6/353  
D600,929 S \* 9/2009 Kemnitzer ..... D6/353  
D601,843 S \* 10/2009 Cherry et al. .... D6/601  
D655,117 S \* 3/2012 Erli ..... D6/525  
D666,435 S \* 9/2012 Meyers et al. .... D6/500  
D666,840 S \* 9/2012 Johnson et al. .... D6/353

**OTHER PUBLICATIONS**

New shower stools—Etac Smart, Etac Easy. [online] Retrieved Mar. 7, 2013 from URL: <www.etac.com/en/etaccomesp/System/Etac-News/New-shower-stools-Etac-Smart-Etac-Easy/>.\*

\* cited by examiner

*Primary Examiner* — Susan Bennett Hattan

*Assistant Examiner* — Vy Koenig

(74) *Attorney, Agent, or Firm* — WRB-IP LLP

(57) **CLAIM**

The ornamental design for a shower stool, as shown and described.

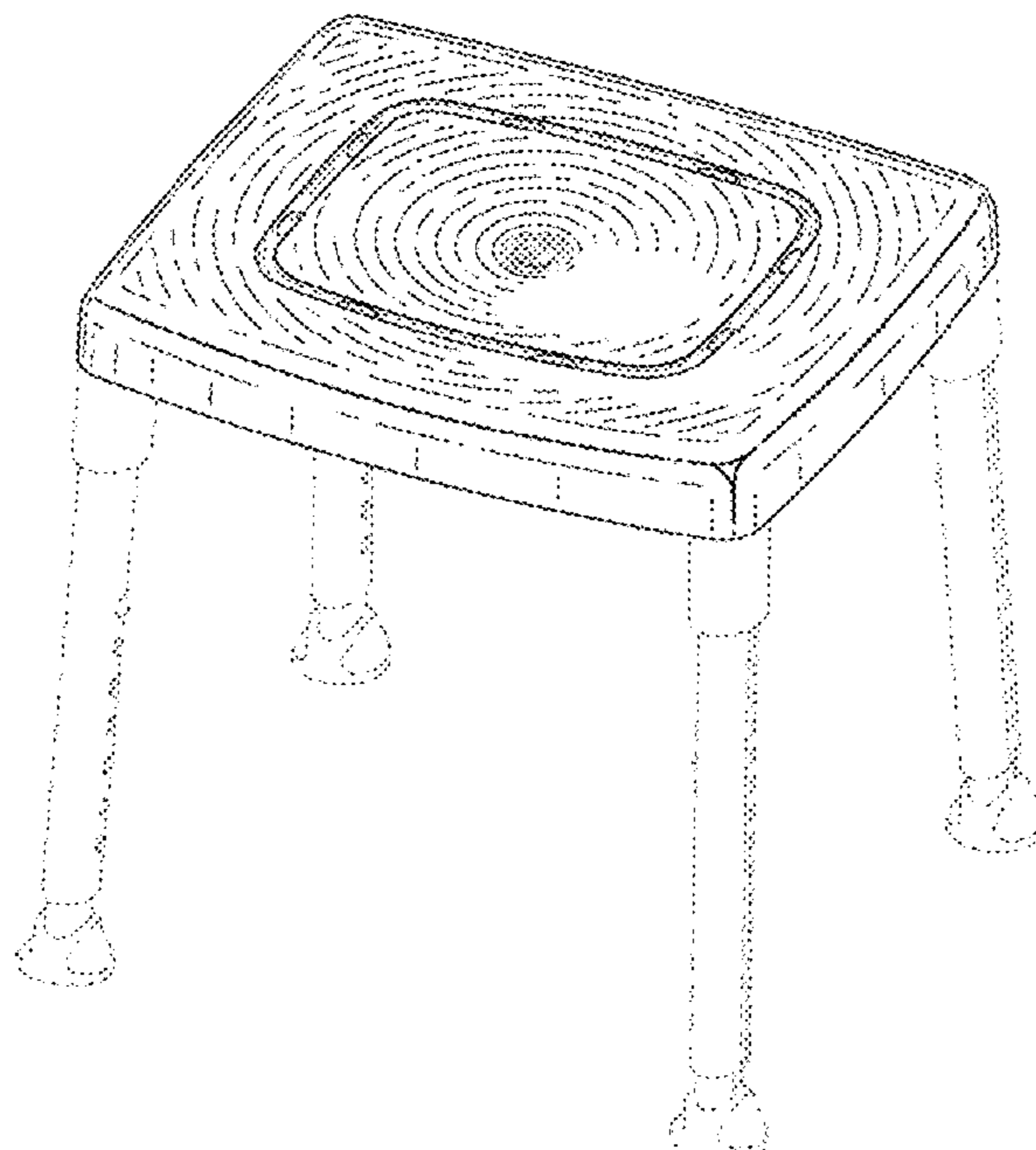
**DESCRIPTION**

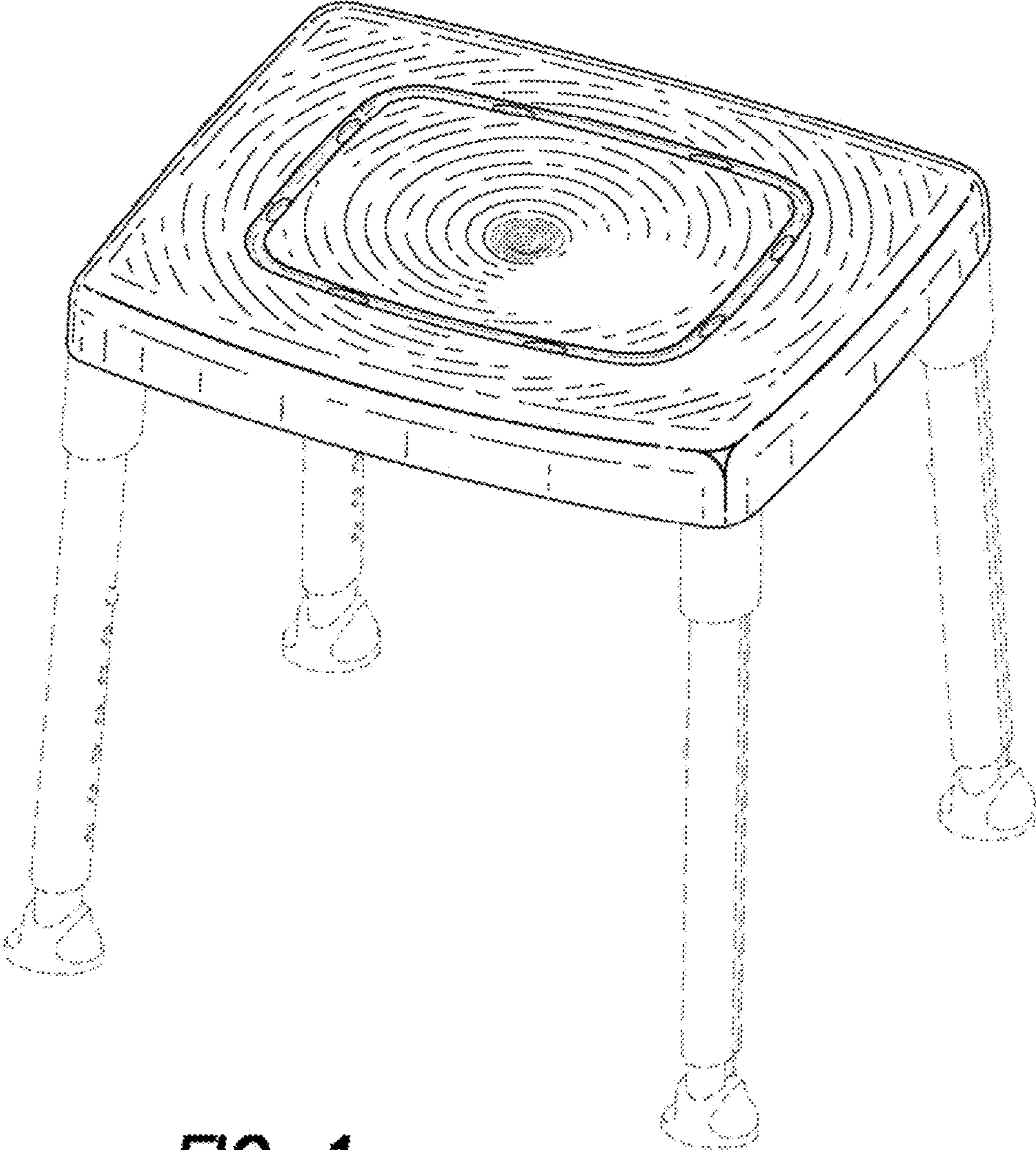
FIG. 1 is a top perspective view of the shower stool; FIG. 2 is a top view of the shower stool; FIG. 3 is a front, side view of the shower stool; and, FIG. 4 is a right, side view of the shower stool.

The front and right side views of the shower stool are identical to the rear and left side views, respectively.

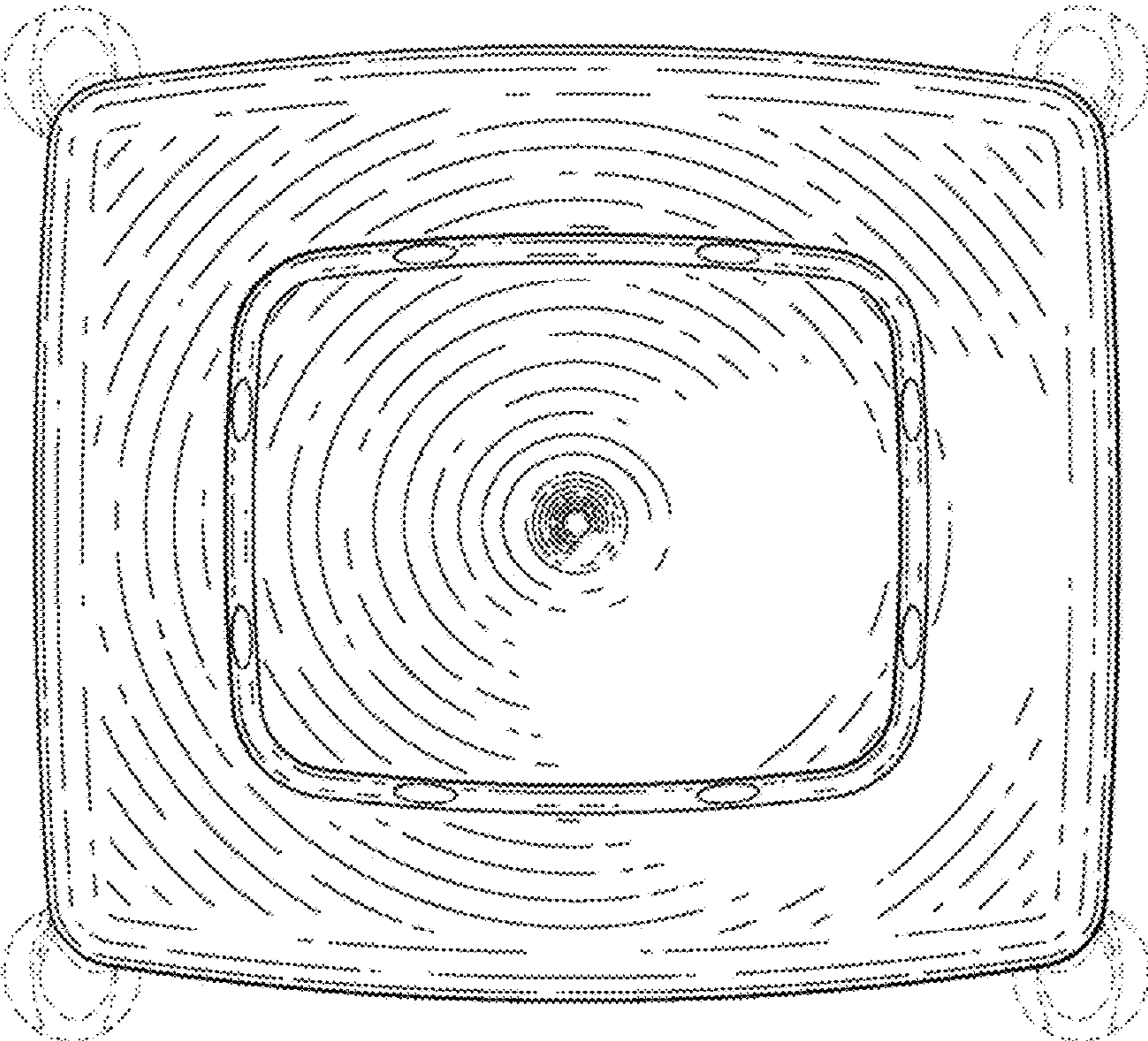
Broken lines shown in the drawings are for illustrative purposes only and form no part of the claimed design.

**1 Claim, 4 Drawing Sheets**



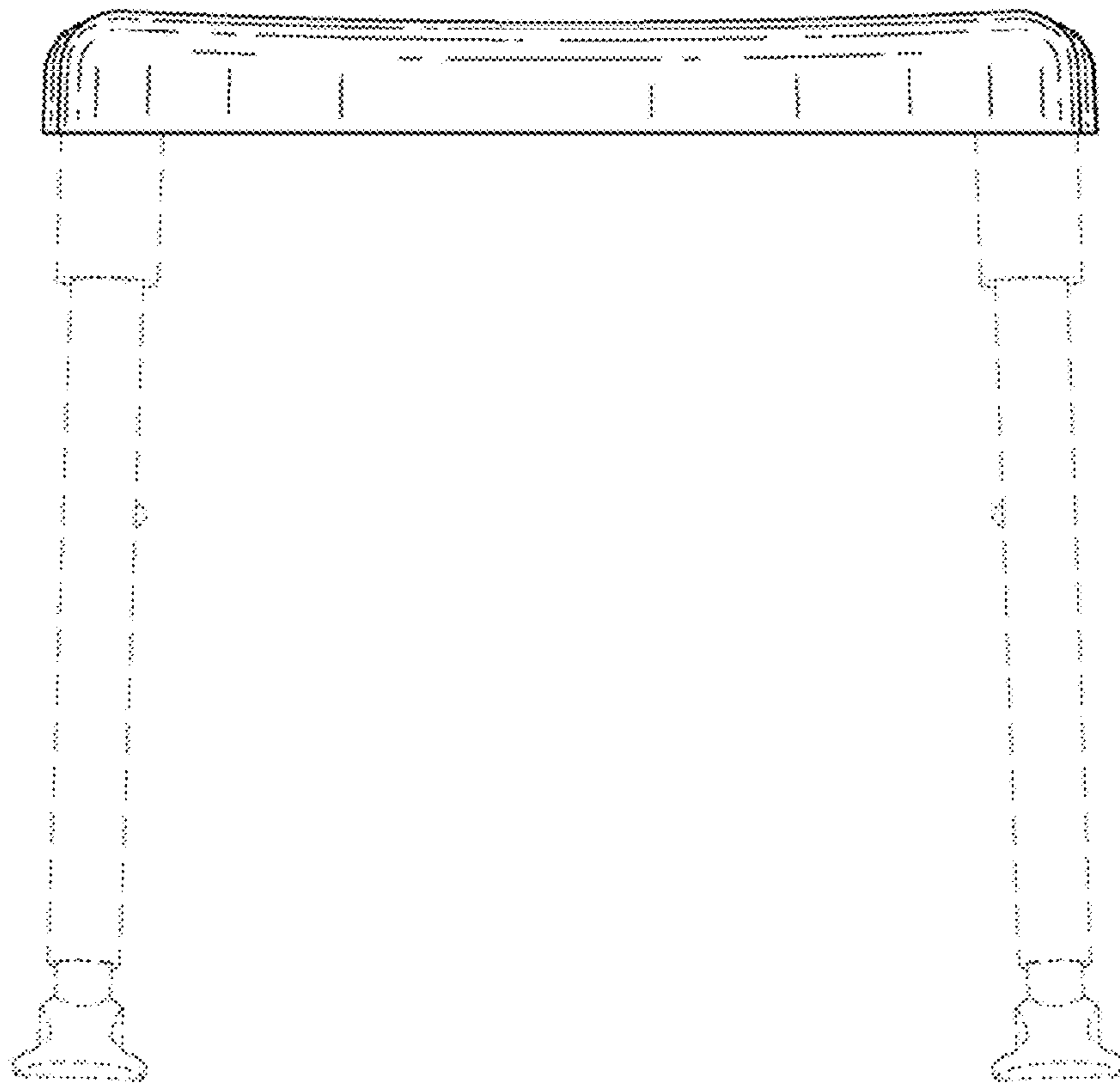


**FIG. 1**

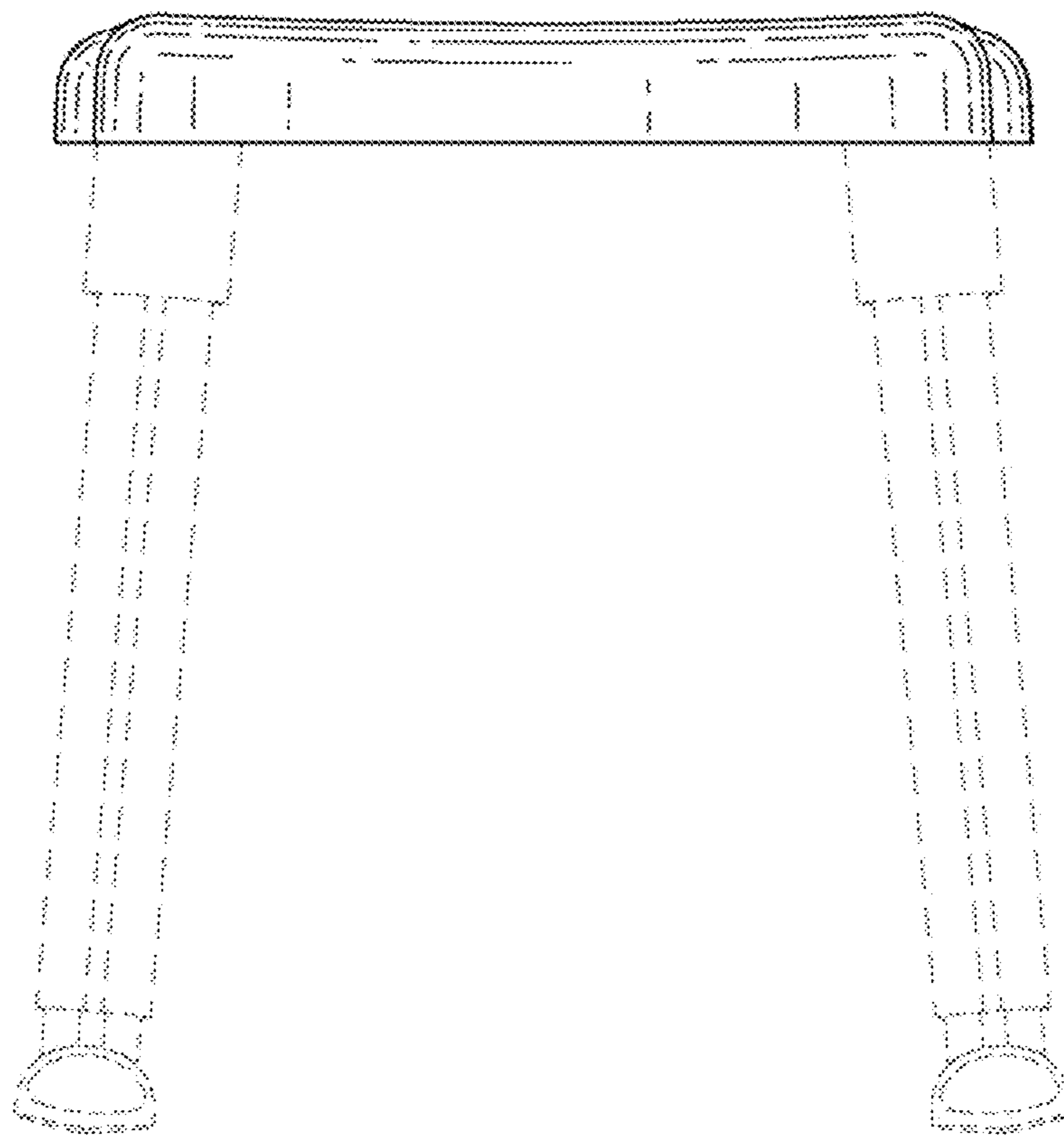


**FIG. 2**





**FIG. 3**



**FIG. 4**