



US00D681357S

(12) **United States Design Patent**  
**Sjöstrand et al.**

(10) **Patent No.:** **US D681,357 S**

(45) **Date of Patent:** **\*\* May 7, 2013**

(54) **SHOWER STOOL**

(75) Inventors: **Ulf Sjöstrand**, Anderstorp (SE); **Örjan Nilsson**, Jönköping (SE)

(73) Assignee: **Etac AB**, Kista (SE)

(\*\*) Term: **14 Years**

(21) Appl. No.: **29/402,679**

(22) Filed: **Sep. 26, 2011**

(30) **Foreign Application Priority Data**

Mar. 28, 2011 (EM) ..... 001841743-0001  
Mar. 28, 2011 (EM) ..... 001841743-0002

(51) **LOC (9) Cl.** ..... **06-01**

(52) **U.S. Cl.**  
USPC ..... **D6/349**

(58) **Field of Classification Search** ..... D6/335,  
D6/340, 344, 349–355, 495, 500–502, 362,  
D6/374, 601; 297/16.1, 175, 187, 195.1,  
297/423.1, 423.11, 423.14, 423.16, 461,  
297/462

See application file for complete search history.

(56) **References Cited**

**U.S. PATENT DOCUMENTS**

D15,790 S \* 2/1885 Hofmann ..... D6/502  
4,516,767 A \* 5/1985 Eskijian ..... 482/27

5,634,223 A \* 6/1997 Obermaier ..... 5/654  
D427,791 S \* 7/2000 Peterson ..... D6/349  
D541,086 S \* 4/2007 McNamee et al. .... D6/500  
7,234,781 B2 \* 6/2007 Liao ..... 297/461  
D553,414 S \* 10/2007 Boutin ..... D6/601  
D579,676 S \* 11/2008 Rheault et al. .... D6/349  
D595,969 S \* 7/2009 Hanusiak et al. .... D6/349  
7,758,113 B2 \* 7/2010 Hanusiak et al. .... 297/159.1  
D661,132 S \* 6/2012 Hansen ..... D6/500

**OTHER PUBLICATIONS**

New shower stools—Etac Smart, Etac Easy. Dated Sep. 2, 2011. [online] Retrieved Mar. 7, 2013 from URL: <www.etac.com/en/etac-comexp/System/Etac-News/New-shower-stools--Etac-Smart-Etac-Easy/>.\*

\* cited by examiner

*Primary Examiner* — Susan Bennett Hattan

*Assistant Examiner* — Vy Koenig

(74) *Attorney, Agent, or Firm* — WRB-IP LLP

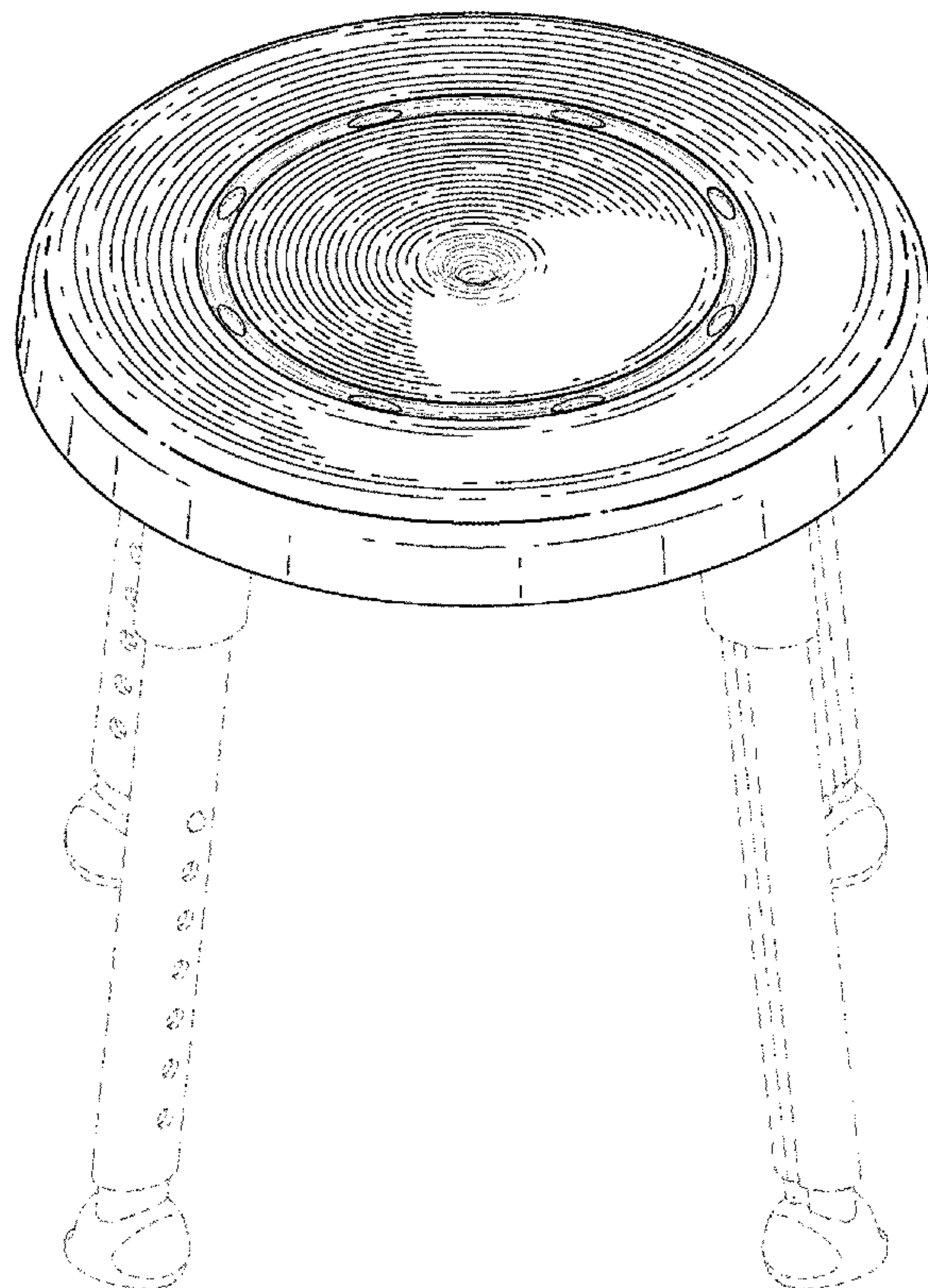
(57) **CLAIM**

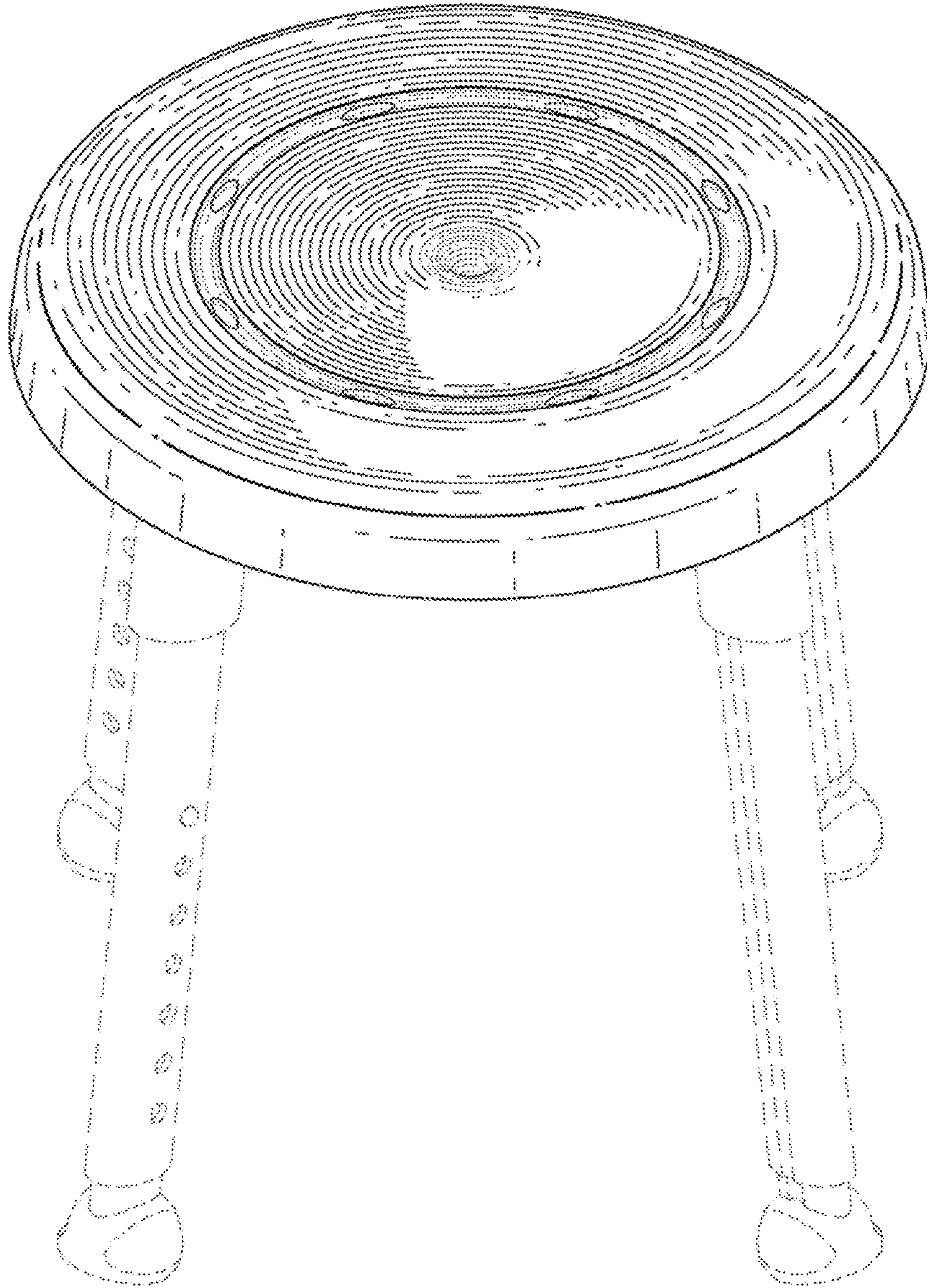
The ornamental design for a shower stool, as shown and described.

**DESCRIPTION**

FIG. 1 is a top perspective view of the shower stool; FIG. 2 is a top view of the shower stool; and, FIG. 3 is a side view of the shower stool. Broken lines shown in the drawings are for illustrative purposes only and form no part of the claimed design.

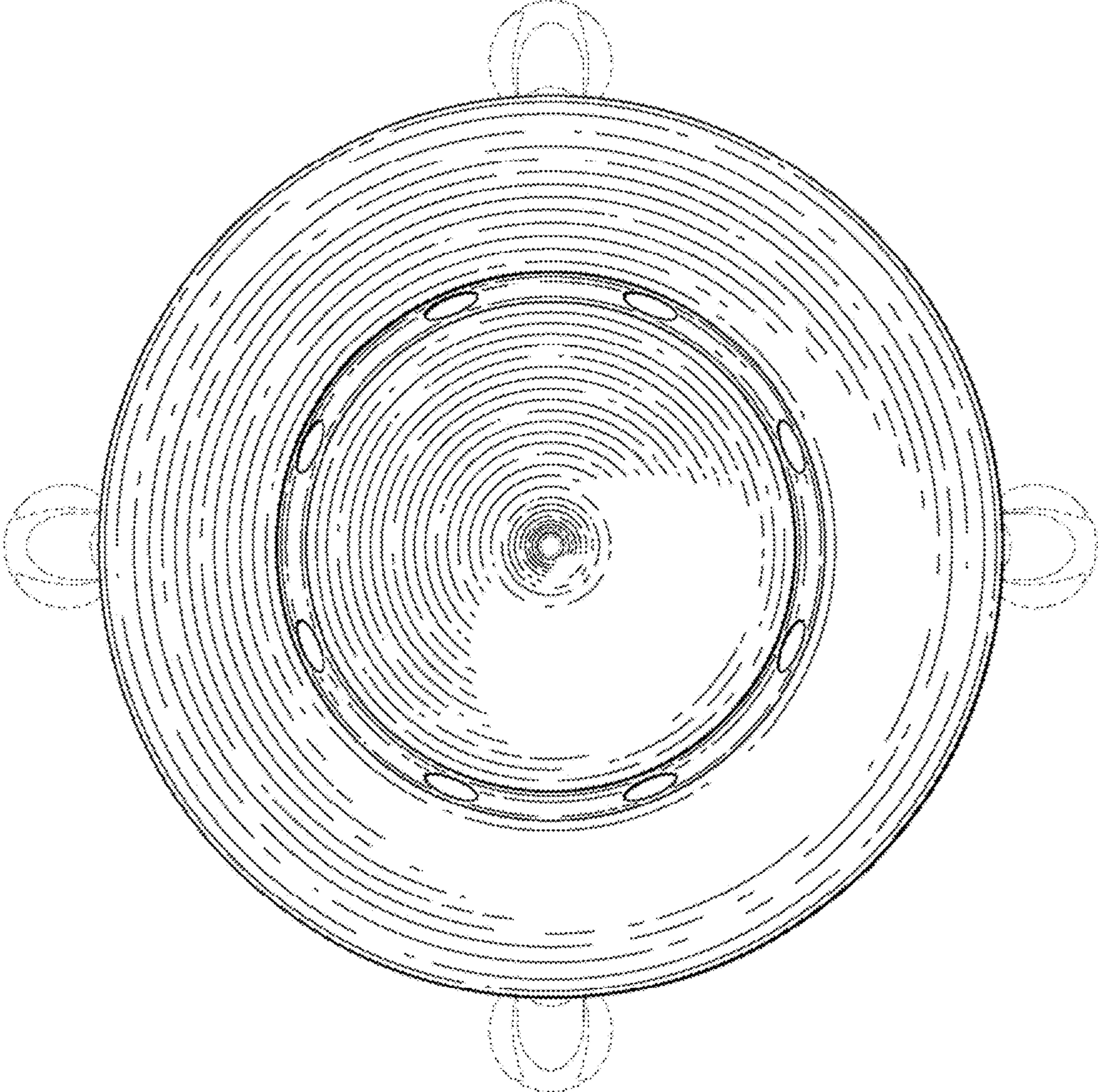
**1 Claim, 3 Drawing Sheets**



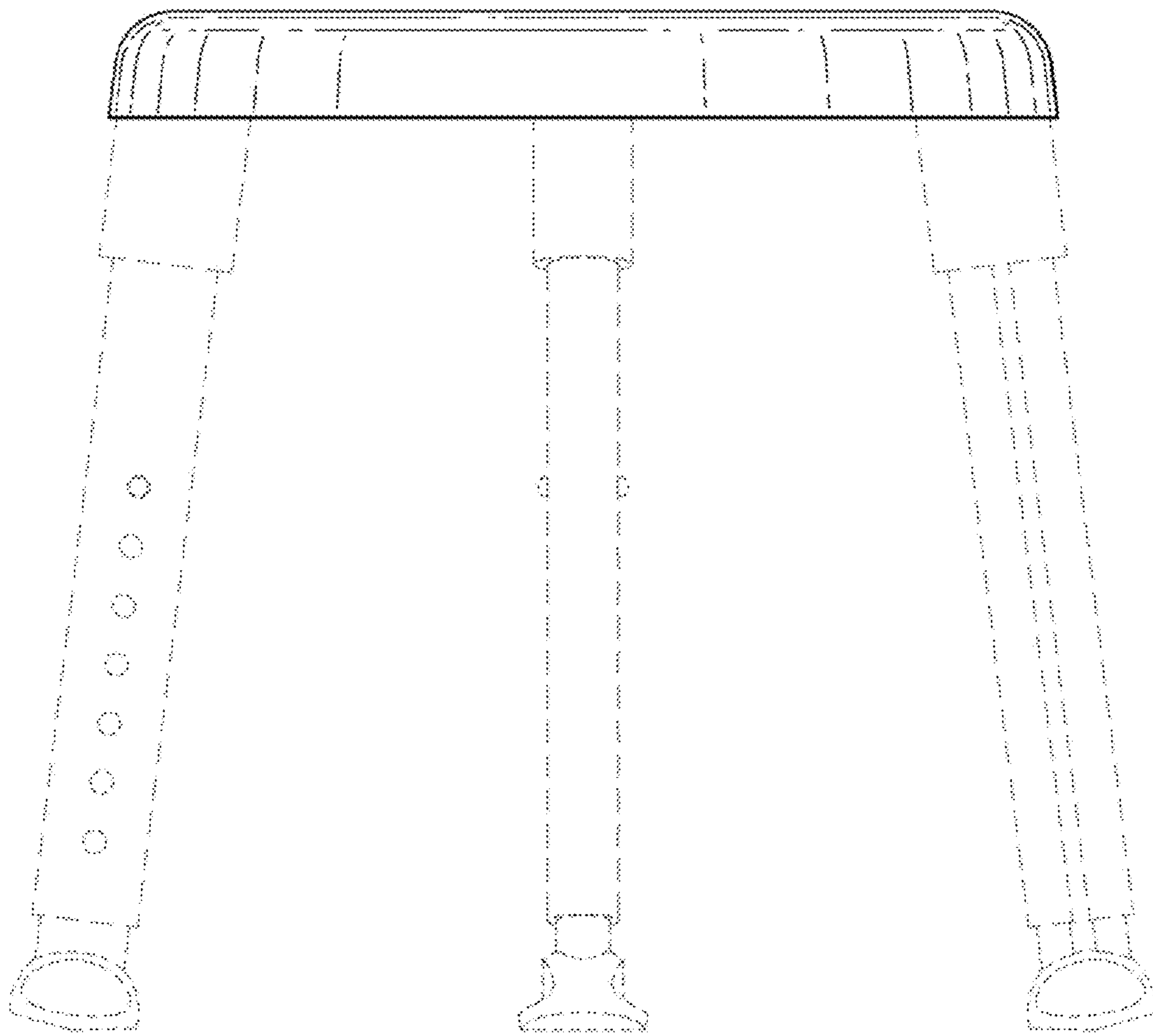


**FIG. 1**





**FIG. 2**



**FIG. 3**