



US00D681350S

(12) **United States Design Patent**
Anderson et al.

(10) **Patent No.:** **US D681,350 S**

(45) **Date of Patent:** **** May 7, 2013**

(54) **RESIN WICKER**

(75) Inventors: **Torrence Anderson**, Overland Park, KS (US); **Michael Thuma**, La Grange, IL (US); **Stephen Whitehead**, Elgin, IL (US)

(73) Assignee: **Suncast Technologies, LLC**, Palm Beach Gardens, FL (US)

(**) Term: **14 Years**

(21) Appl. No.: **29/411,030**

(22) Filed: **Jan. 16, 2012**

(51) **LOC (9) Cl.** **05-06**

(52) **U.S. Cl.**
USPC **D5/43**

(58) **Field of Classification Search** D5/4, 7, D5/11, 43, 47, 50, 53-57, 61-63, 99; D6/582, D6/602, 612, 613, 617, 622; D24/124-126; D32/40; 4/581; 5/402, 490, 495; 15/208, 15/215; 112/401, 402; 139/383 B, 383 R, 139/416, 420 B, 420 R, 428; 162/111, 116, 162/134, 140, 416; 245/2; 428/32, 37, 39, 428/57, 66.5, 79, 85, 181, 221, 542.6; 442/181, 442/320, 327; 604/385.01; D3/306
See application file for complete search history.

(56) **References Cited**

U.S. PATENT DOCUMENTS

1,190,221	A *	7/1916	Daugherty	428/35.3
1,304,918	A *	5/1919	Sweetland	139/425 R
1,492,538	A *	4/1924	Shaw	147/48
1,541,000	A *	6/1925	Riley	139/28
1,704,344	A *	3/1929	Riley	139/415
1,785,330	A *	12/1930	Schoonmaker	359/445
2,012,029	A *	8/1935	Weiser	139/383 R
D103,599	S *	3/1937	Ruck	D7/565
2,168,928	A *	8/1939	Barrell	139/383 A
D133,290	S *	8/1942	Nordstrom	D5/47

2,354,435	A *	7/1944	Stedman	139/420 R
2,886,697	A *	5/1959	Pomeroy	362/148
3,238,594	A *	3/1966	Schuster	28/141
3,539,435	A *	11/1970	Williams	428/193
3,773,606	A *	11/1973	Worcester et al.	428/193
4,410,577	A *	10/1983	Palmer et al.	428/85
4,846,230	A *	7/1989	Mock et al.	139/383 R
D391,077	S *	2/1998	Lacy et al.	D3/306
D431,109	S *	9/2000	Lacy et al.	D3/306
D463,122	S *	9/2002	Lacy et al.	D3/306
D465,668	S *	11/2002	Gaylord et al.	D6/369
D468,536	S *	1/2003	Corp et al.	D3/306
6,722,394	B2 *	4/2004	Harrison et al.	139/383 R
6,857,141	B1 *	2/2005	Jackson et al.	4/650
D516,815	S *	3/2006	Peller et al.	D3/306
7,624,766	B2 *	12/2009	Ward	139/383 A
2009/0255038	A1 *	10/2009	Curtis	2/455
2011/0120588	A1 *	5/2011	Shteiyer	139/36
2011/0129623	A1 *	6/2011	Haimoff	428/32

* cited by examiner

Primary Examiner — Karen S Acker

(74) *Attorney, Agent, or Firm* — McHale & Slavin. P.A.

(57) **CLAIM**

The ornamental design for resin wicker, as shown and described.

DESCRIPTION

FIG. 1 is a bottom right perspective view of the resin wicker of the instant invention;

FIG. 2 is a bottom left perspective view thereof;

FIG. 3 is a top right perspective view thereof;

FIG. 4 is a front view thereof;

FIG. 5 is a left side view thereof;

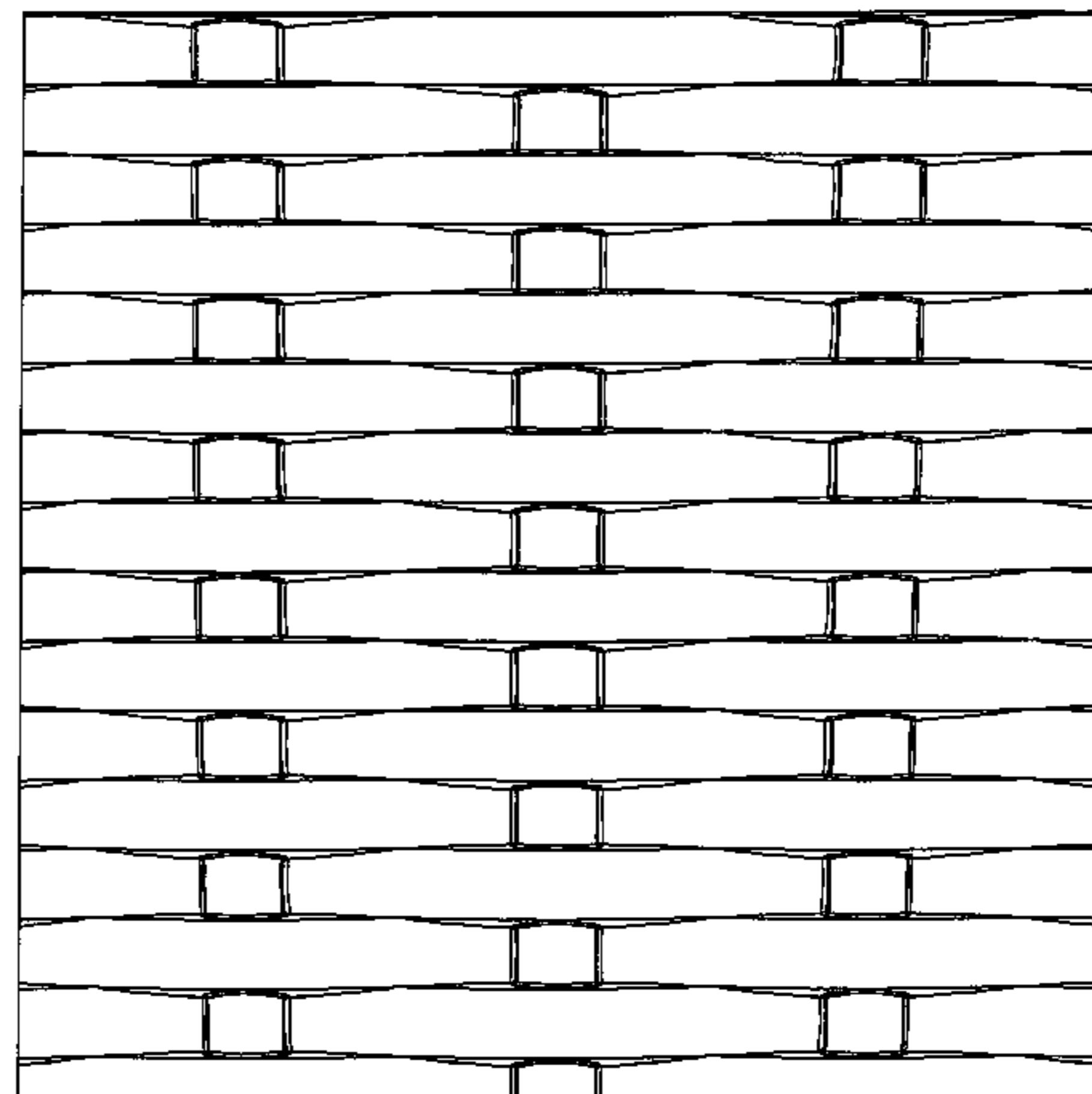
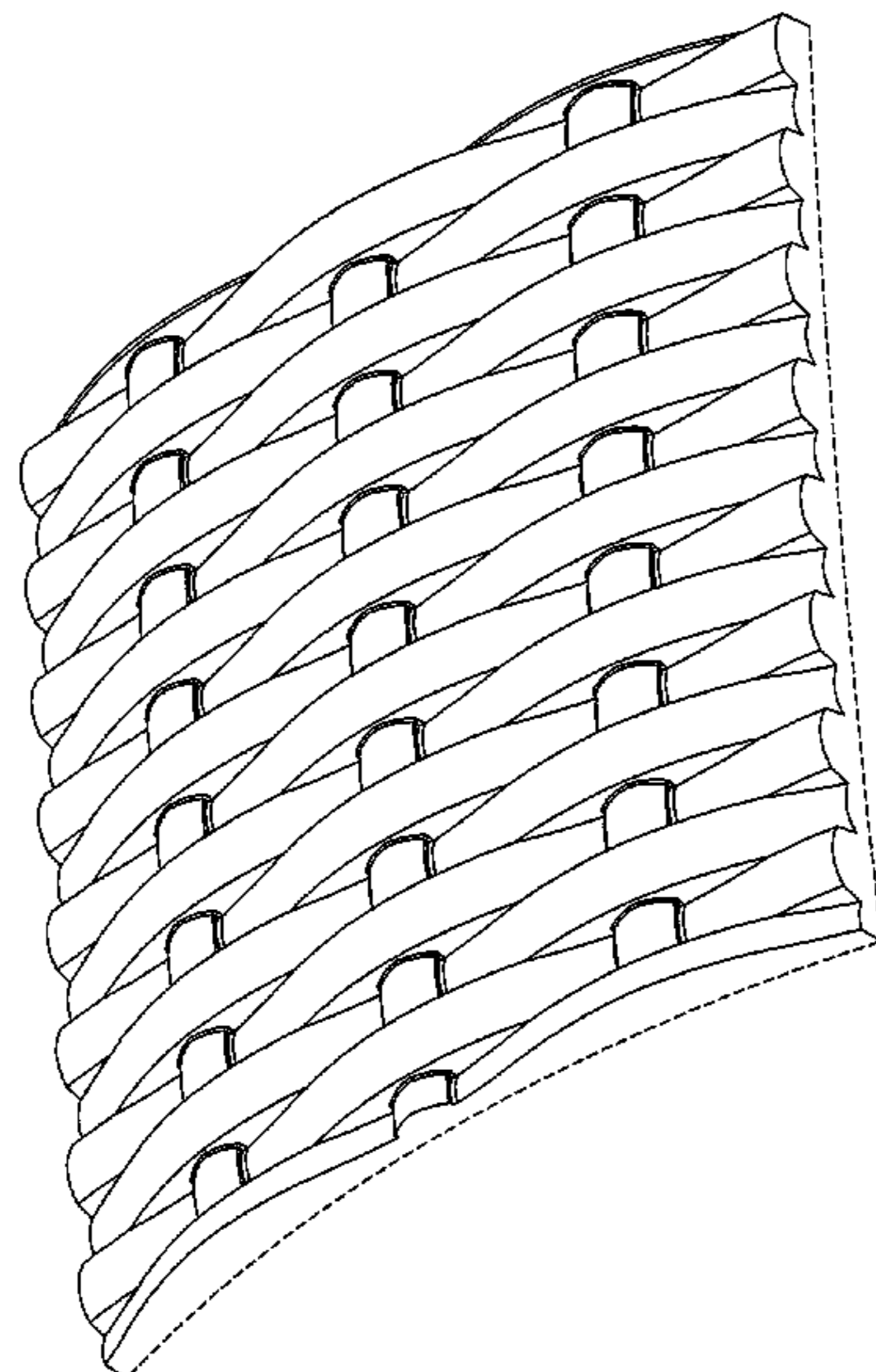
FIG. 6 is a right side view thereof;

FIG. 7 is a top view thereof; and,

FIG. 8 is a bottom view thereof.

The reverse side of the resin wicker is not claimed. The broken lines representing the reverse side of the design form no part of the claimed design.

1 Claim, 6 Drawing Sheets



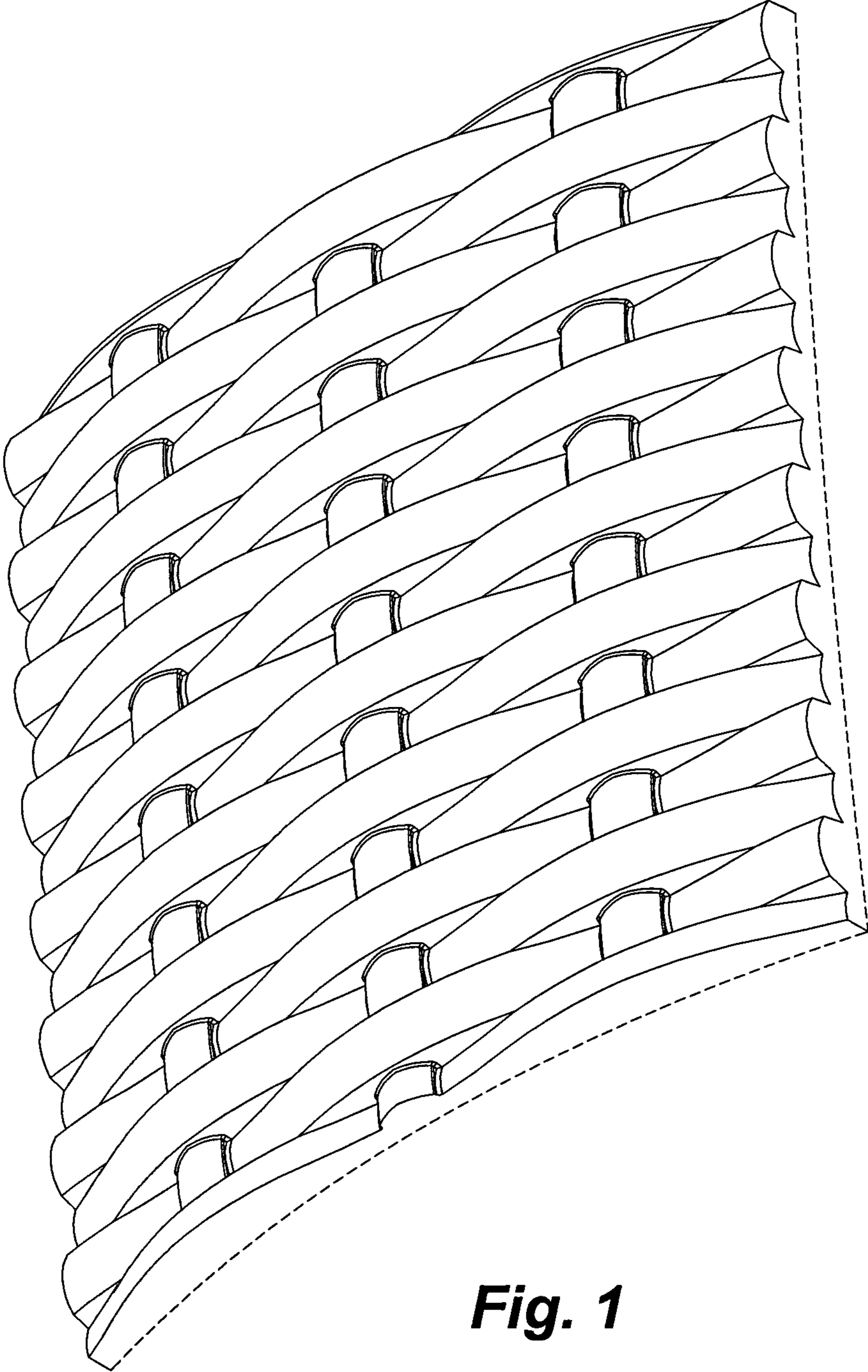


Fig. 1

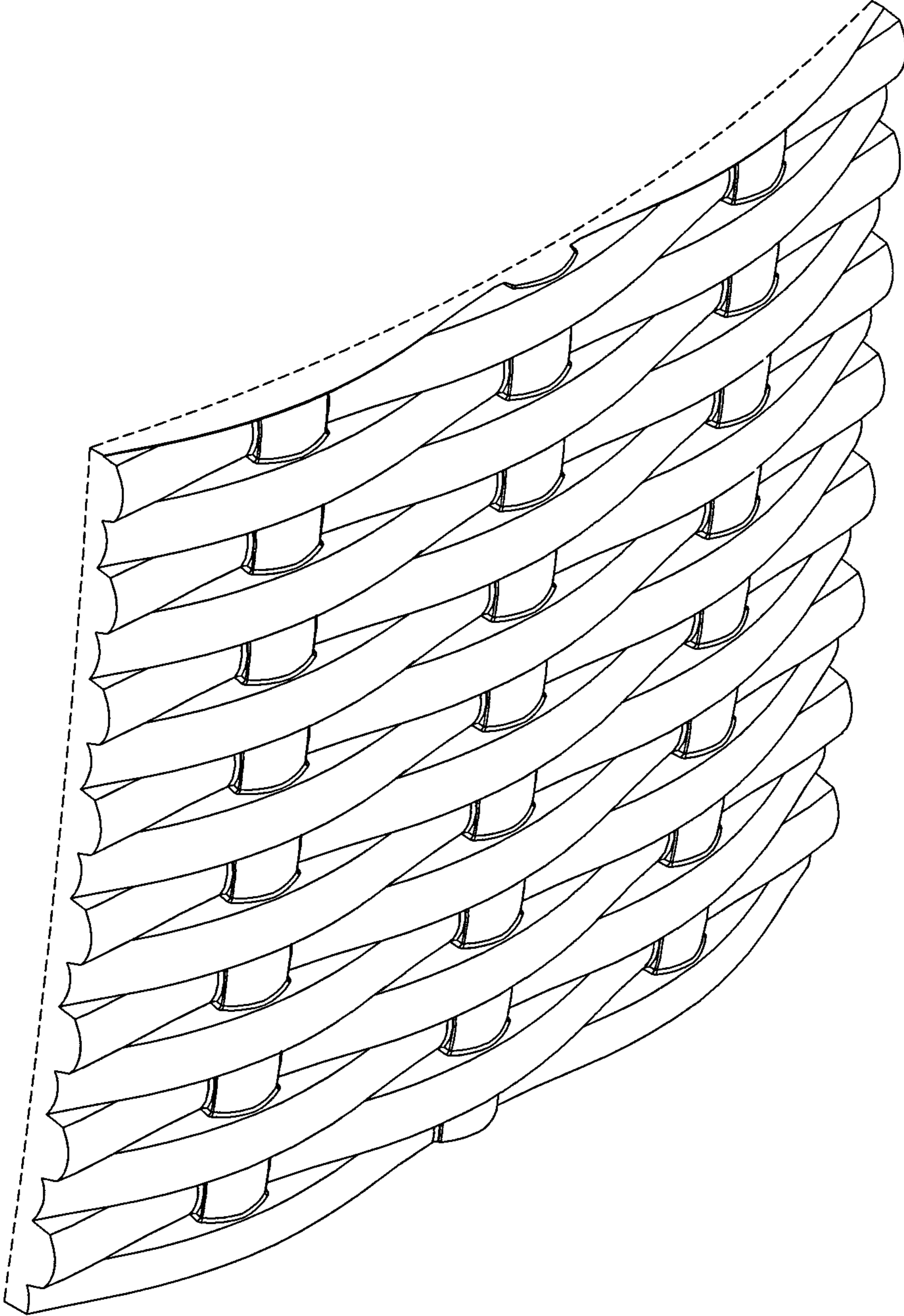


Fig. 2

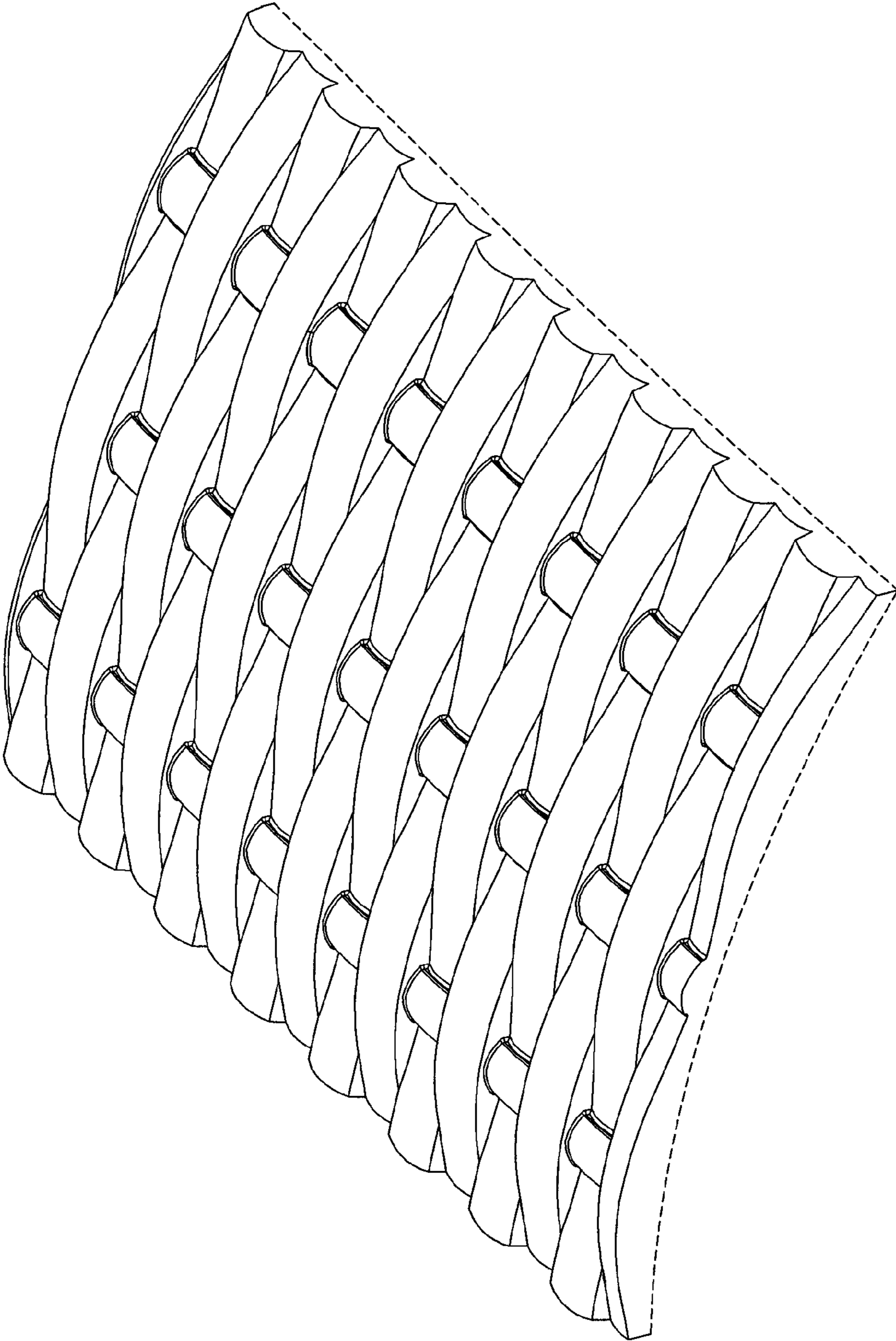


Fig. 3

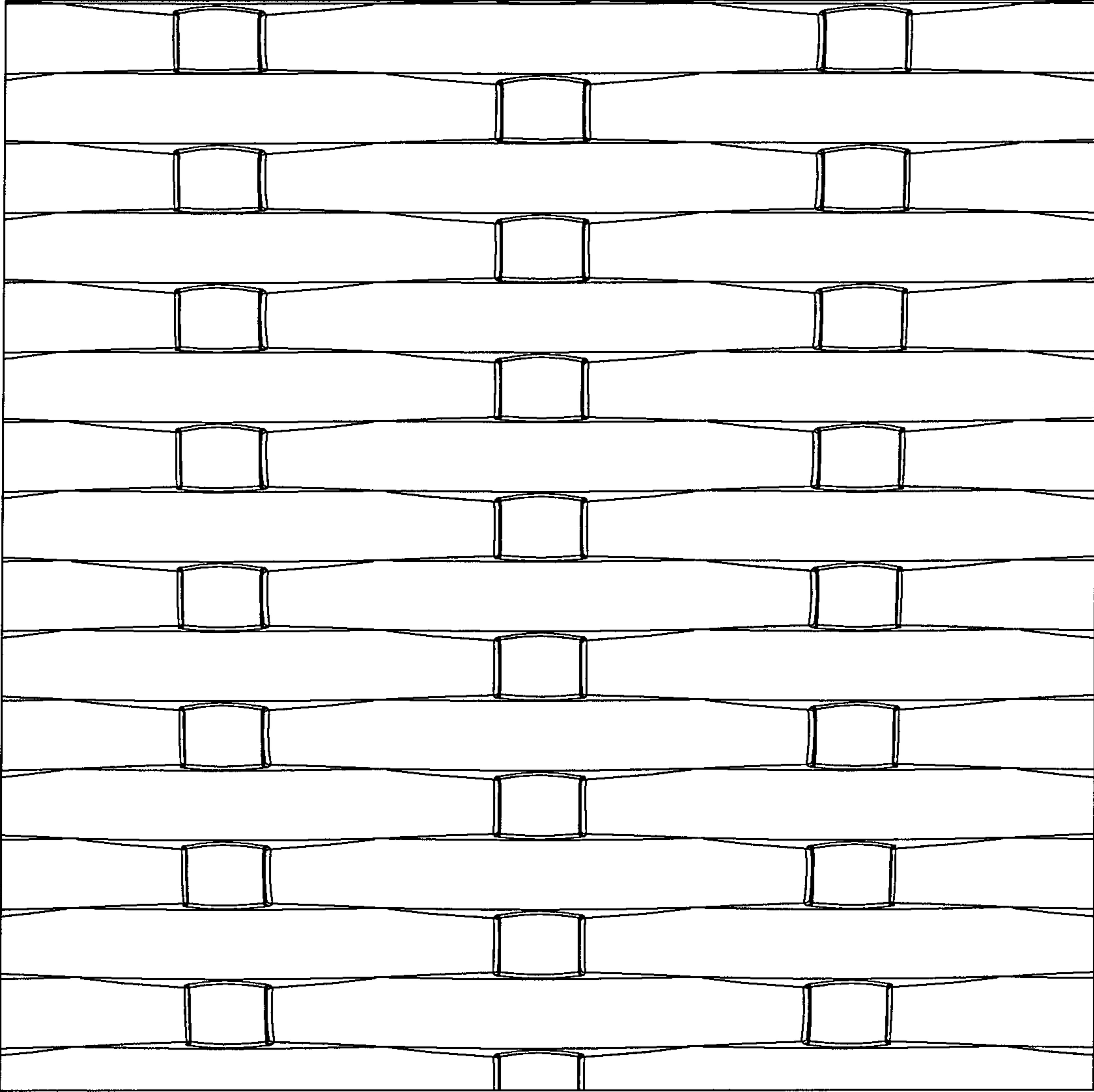


Fig. 4

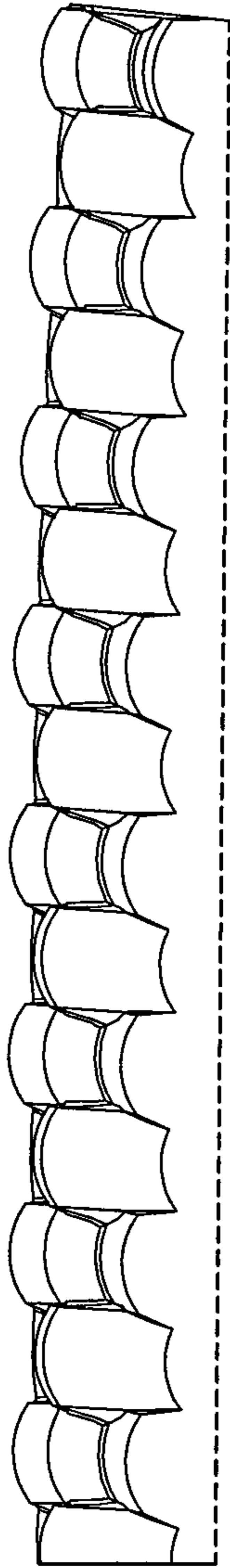


Fig. 5

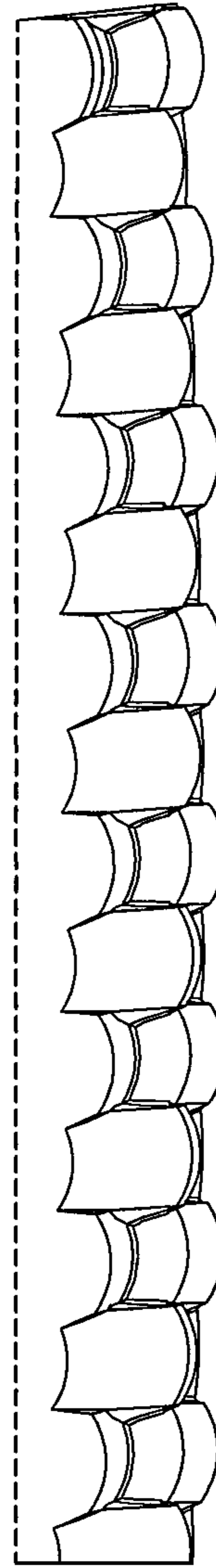


Fig. 6

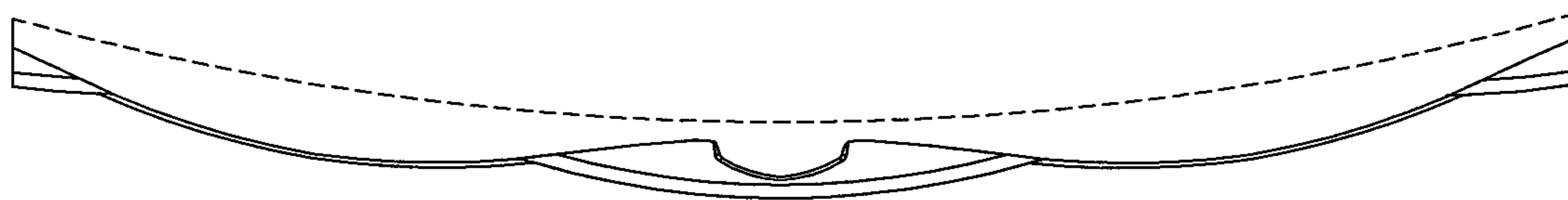


Fig. 7

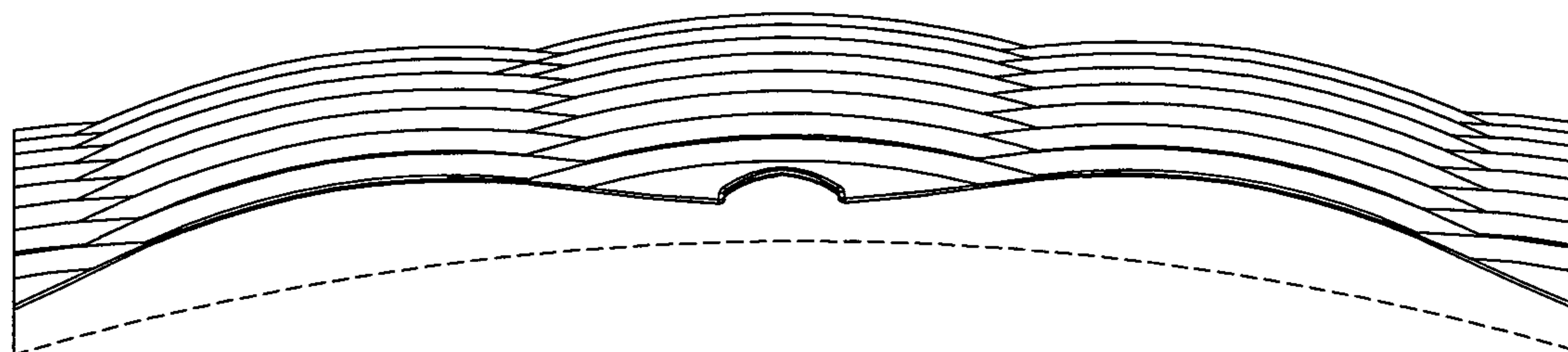


Fig. 8