



US00D681349S

(12) **United States Design Patent**
Anderson et al.

(10) **Patent No.:** **US D681,349 S**

(45) **Date of Patent:** **** May 7, 2013**

(54) **RESIN WICKER**

(75) Inventors: **Torrence Anderson**, Overland Park, KS (US); **Michael Thuma**, La Grange, IL (US); **Stephen Whitehead**, Elgin, IL (US)

(73) Assignee: **Suncast Technologies, LLC**, Palm Beach Gardens, FL (US)

(**) Term: **14 Years**

(21) Appl. No.: **29/411,028**

(22) Filed: **Jan. 16, 2012**

(51) **LOC (9) Cl.** **05-06**

(52) **U.S. Cl.**
USPC **D5/43**

(58) **Field of Classification Search** D5/4, 7, D5/11, 43, 47, 50, 53-57, 61-63, 99; D6/582, D6/602, 612, 613, 617, 622; D24/124-126; D32/40; 4/581; 5/402, 490, 495; 15/208, 15/215; 112/401, 402; 139/383 B, 383 R, 139/416, 420 B, 420 R, 428; 162/111, 116, 162/134, 140, 416; 245/2; 428/32, 37, 39, 428/57, 66.5, 79, 85, 181, 221, 542.6; 442/181, 442/320, 327; 604/385.01

See application file for complete search history.

(56) **References Cited**

U.S. PATENT DOCUMENTS

666,253 A * 1/1901 Aeberli 139/383 R
769,790 A * 9/1904 Cox 139/427
821,441 A * 5/1906 Stevenson 139/383 R

1,650,998 A * 11/1927 Nones 139/383 R
1,765,512 A * 6/1930 Waite 139/420 B
D106,157 S * 9/1937 Troy D5/47
2,409,089 A * 10/1946 Whitman 139/420 R
2,584,891 A * 2/1952 Libby 139/383 R
3,036,602 A * 5/1962 Meyer et al. 156/256
4,499,842 A * 2/1985 Mahr 114/102.31
5,150,738 A * 9/1992 Nishiwaki 139/420 R
7,600,539 B2 * 10/2009 Malloy et al. 139/387 R
D658,041 S * 4/2012 Vogler et al. D8/356
2011/0129623 A1 * 6/2011 Haimoff 428/32
2011/0262719 A1 * 10/2011 Pringle et al. 428/195.1

* cited by examiner

Primary Examiner — Karen S Acker

(74) *Attorney, Agent, or Firm* — McHale & Slavin, P.A.

(57) **CLAIM**

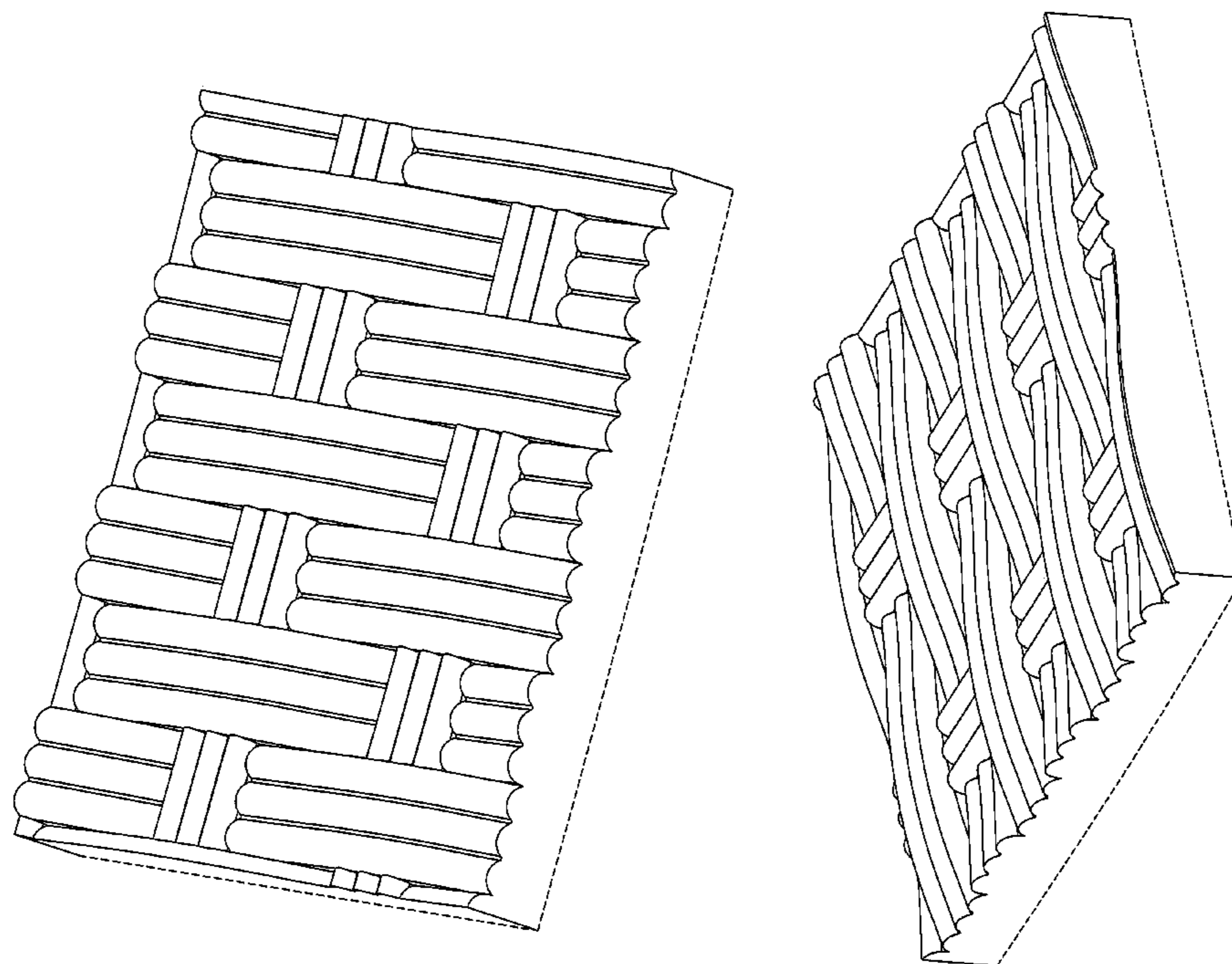
The ornamental design for resin wicker, as shown and described.

DESCRIPTION

FIG. 1 is a bottom right perspective view of the resin wicker of the instant invention;
FIG. 2 is a bottom left perspective view thereof;
FIG. 3 is a top right perspective view thereof;
FIG. 4 is a front view thereof;
FIG. 5 is a left side view thereof;
FIG. 6 is a right side view thereof;
FIG. 7 is a top view thereof; and,
FIG. 8 is a bottom view thereof.

The reverse side of the resin wicker is not claimed. The broken lines representing the reverse side of the design form no part of the claimed design.

1 Claim, 6 Drawing Sheets



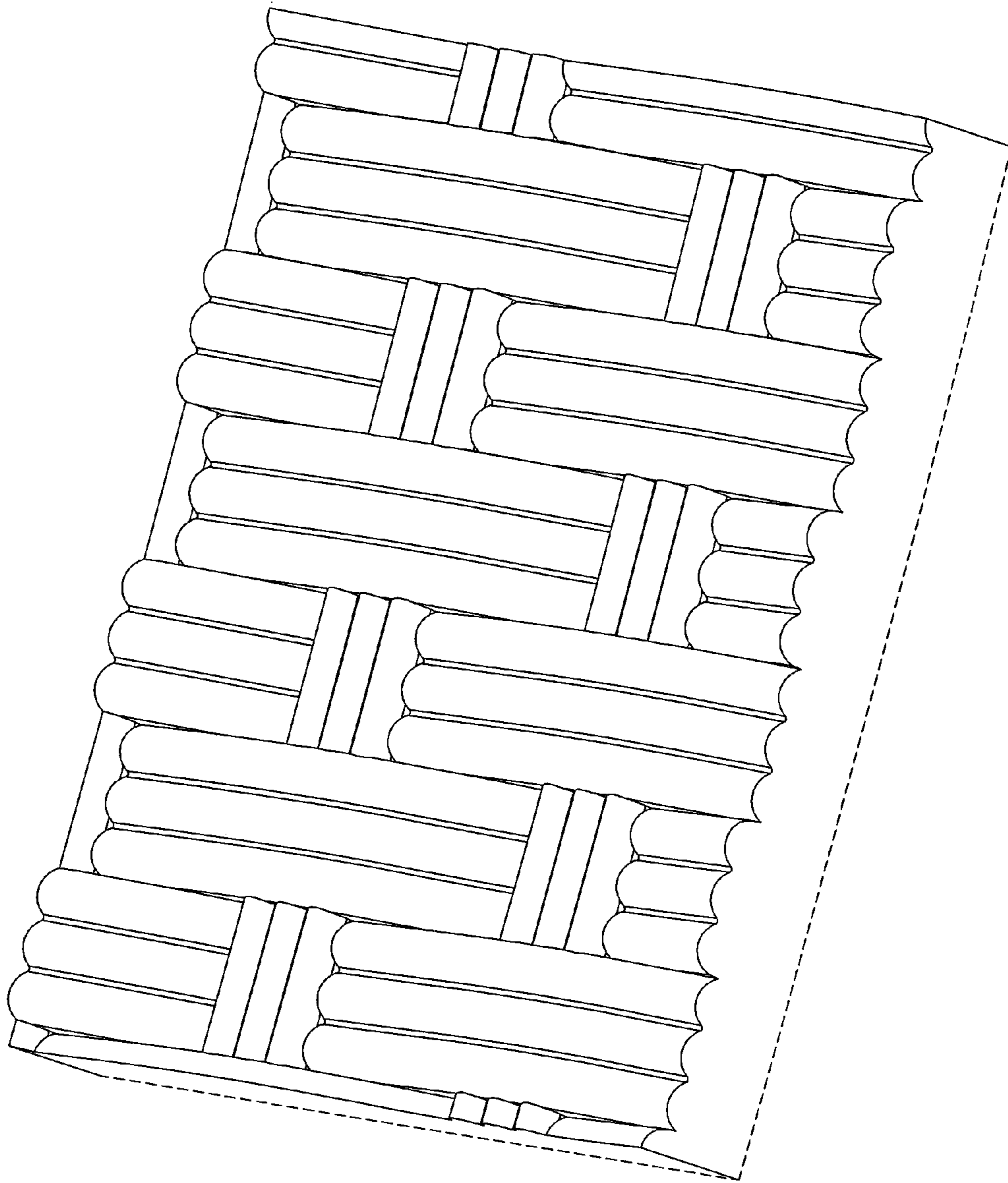


Fig. 1

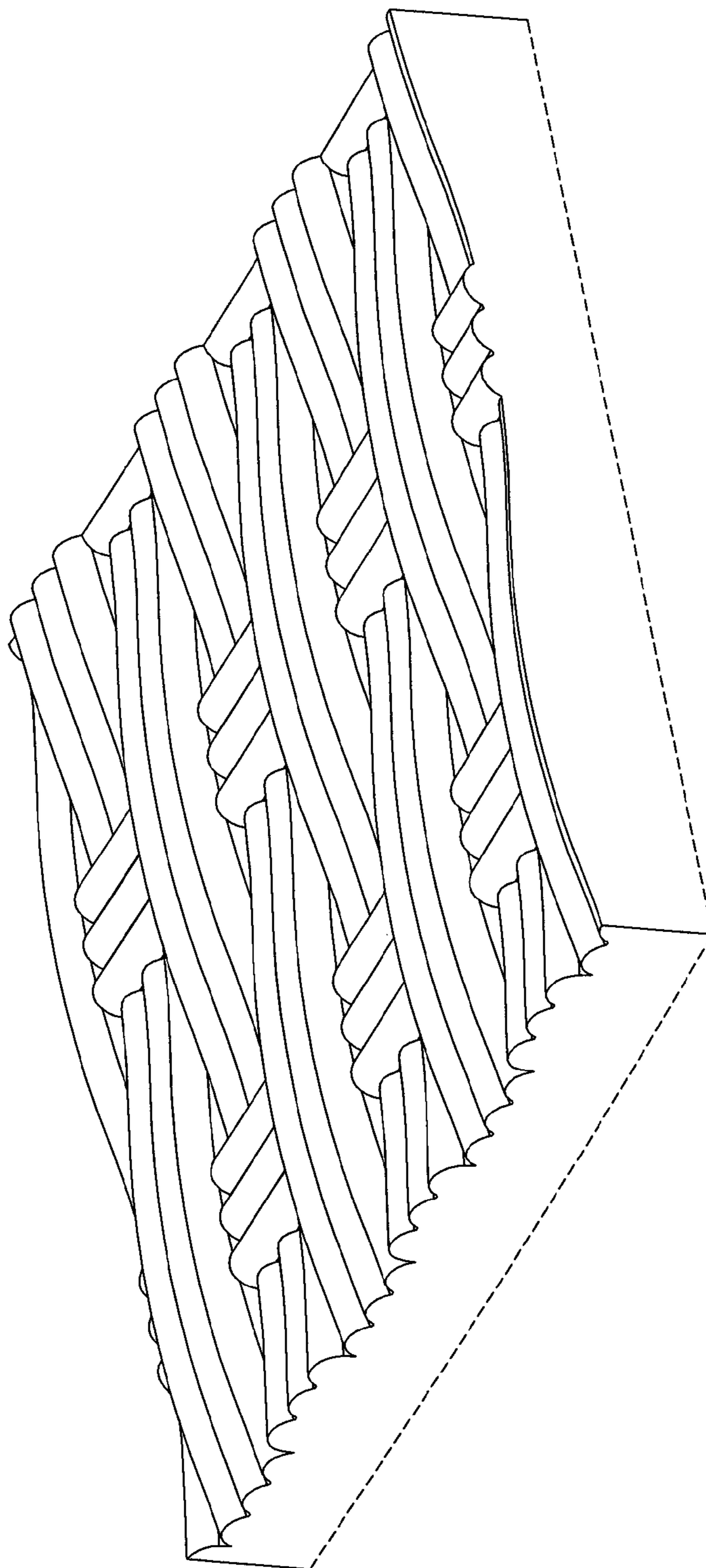


Fig. 2

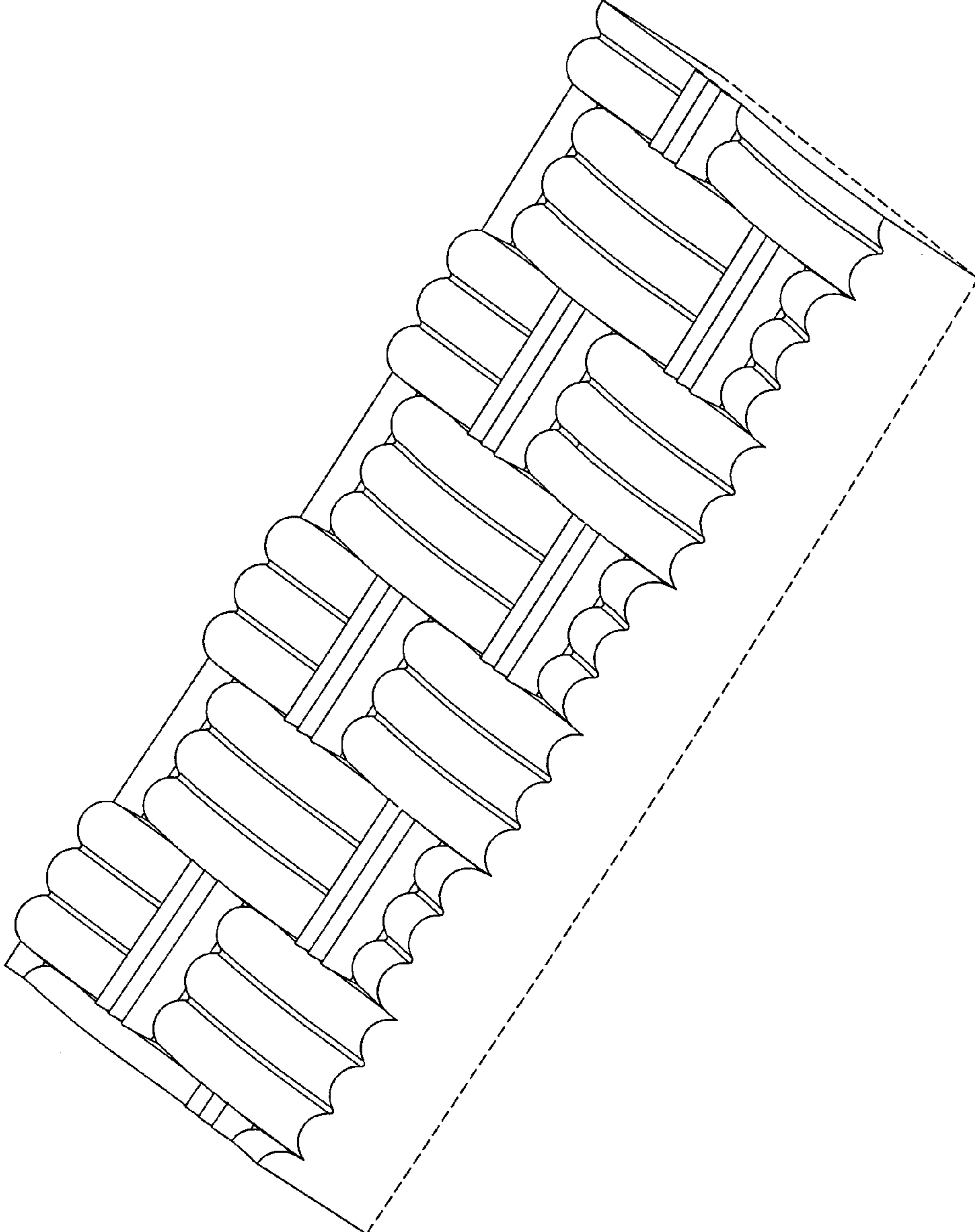


Fig. 3

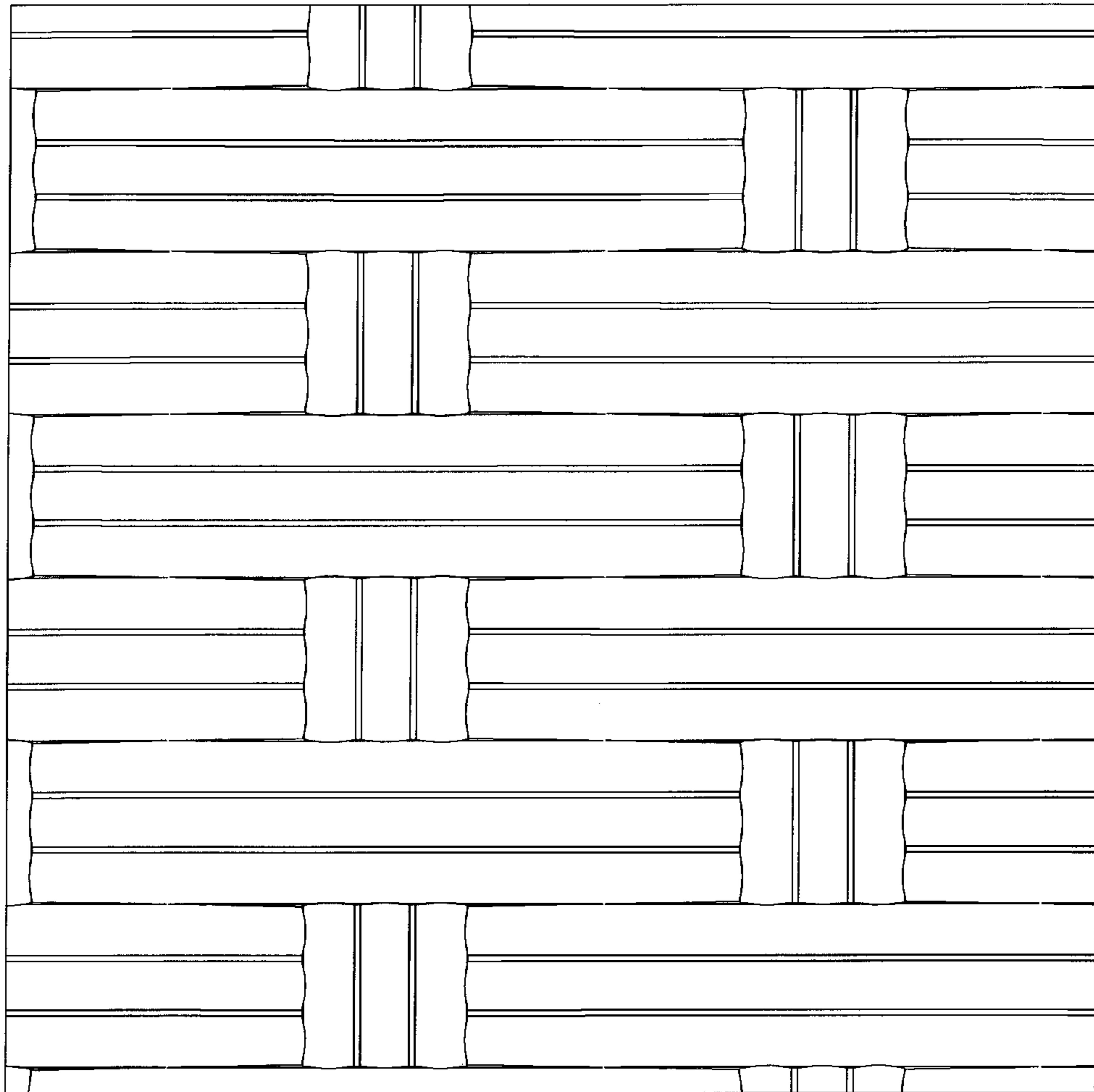


Fig. 4

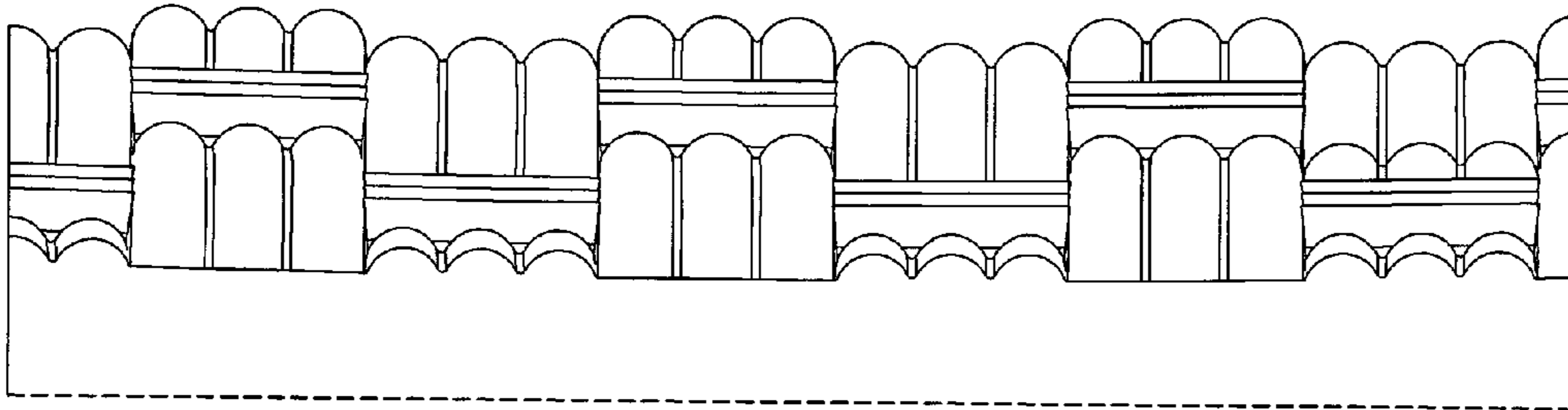


Fig. 5

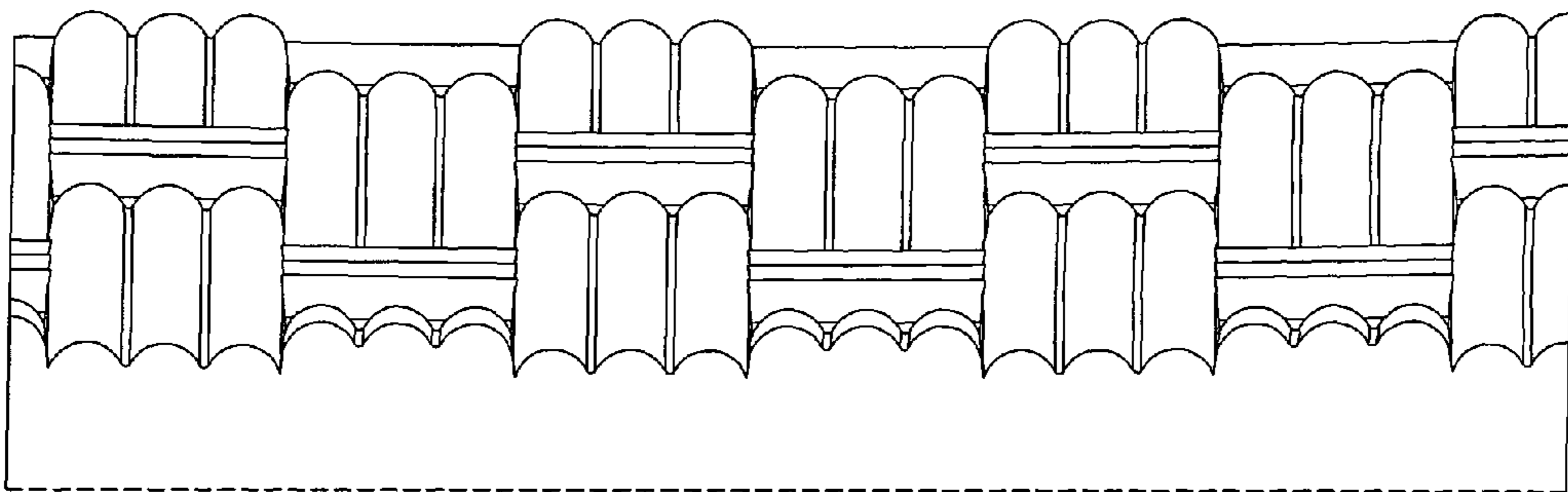


Fig. 6

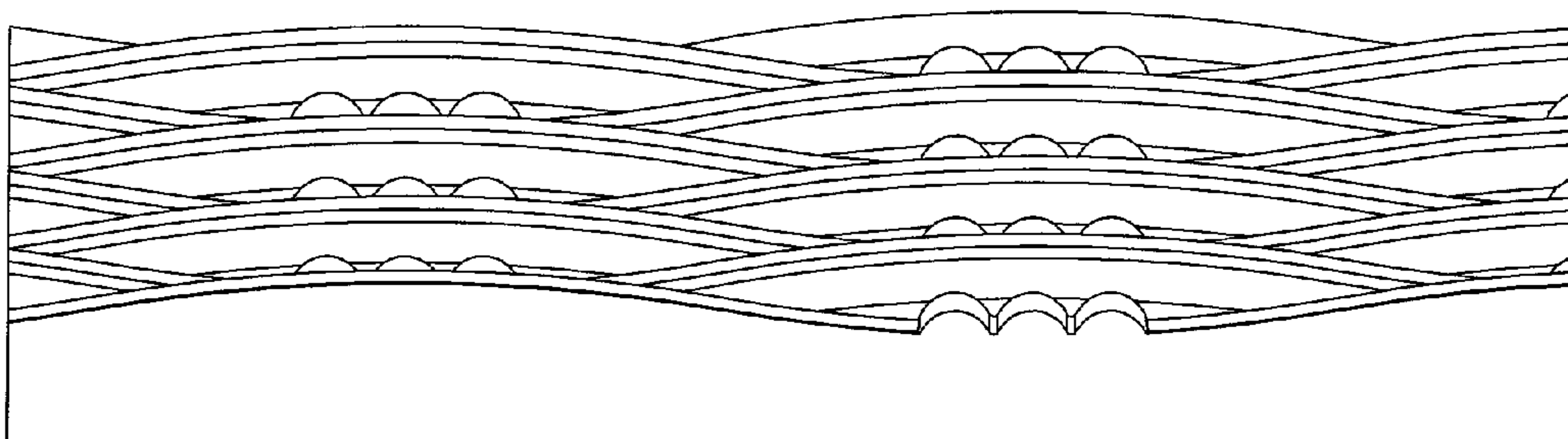


Fig. 7

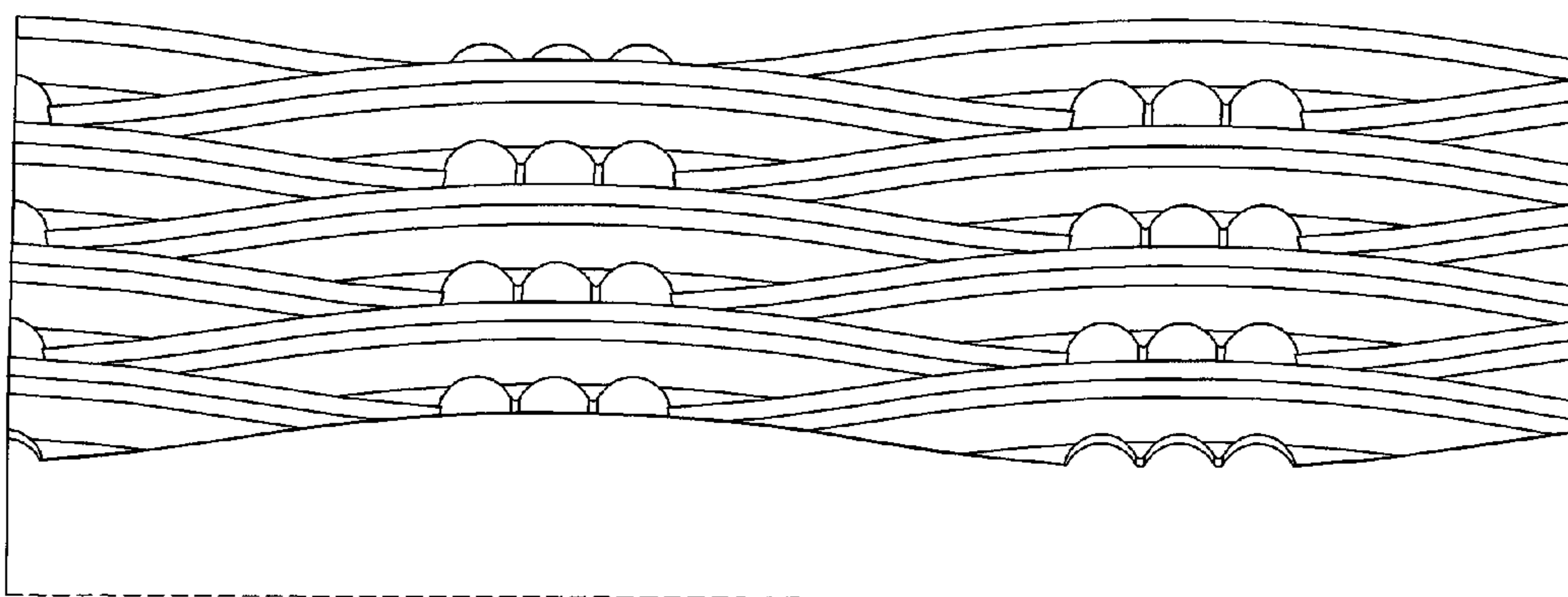


Fig. 8