



US00D681345S

(12) **United States Design Patent**
Wales

(10) **Patent No.:** **US D681,345 S**

(45) **Date of Patent:** **** May 7, 2013**

(54) **WOODEN HANDLE GRILL BRUSH**

(76) Inventor: **Michael Wales**, Riverside, CT (US)

(**) Term: **14 Years**

(21) Appl. No.: **29/431,707**

(22) Filed: **Sep. 10, 2012**

(51) **LOC (9) Cl.** **04-02**

(52) **U.S. Cl.**
USPC **D4/138**

(58) **Field of Classification Search** D4/118-120,
D4/132, 134, 136, 138; D8/108; 15/143.1,
15/159.1, 160, 186, 187, 106, 111; D32/42,
D32/46, 48, 49; 16/426

See application file for complete search history.

6,216,306	B1 *	4/2001	Esterson et al.	15/111
D456,614	S *	5/2002	Zemel	D4/134
6,438,784	B1	8/2002	Yu	
D468,107	S	1/2003	Shen	
6,745,428	B2	6/2004	MacLean	
6,817,932	B2	11/2004	Furey	
6,916,382	B1	7/2005	Aldredge	
6,966,094	B1	11/2005	Rigakos	
7,039,983	B1 *	5/2006	Outlaw	15/111
7,047,590	B2	5/2006	Neal et al.	
7,111,352	B2	9/2006	Yu	
D532,609	S *	11/2006	Zemel	D4/138
D546,066	S	7/2007	Rothman	
D562,563	S	2/2008	Wales	
D567,510	S	4/2008	Tuli	
D589,705	S	4/2009	Zemel	
D659,925	S *	5/2012	Zemel	D32/49
2007/0199169	A1	8/2007	Vosbikian et al.	
2009/0056748	A1 *	3/2009	Wales	134/6

* cited by examiner

(56) **References Cited**

U.S. PATENT DOCUMENTS

77,506	A	5/1868	McGill	
201,688	A	3/1878	Leiner	
297,555	A	4/1884	Baker	
D114,344	S	4/1939	Muller-Munk	
D134,720	S	1/1943	Herschensohn	
2,458,530	A	1/1949	Resnik	
3,158,887	A	12/1964	Kanbar et al.	
3,366,987	A	2/1968	Giustino	
3,434,175	A	3/1969	Bray	
3,629,895	A	12/1971	Colgan	
3,760,449	A	9/1973	Swanson	
4,146,943	A	4/1979	Wertheimer et al.	
D281,467	S	11/1985	Chan-Foun	
D303,861	S *	10/1989	Chen	D32/48
D306,524	S	3/1990	Marshall	
D311,553	S	10/1990	Dideriksen	
D313,318	S	1/1991	Rendler	
5,373,600	A	12/1994	Stojanovski et al.	
5,488,750	A	2/1996	Vosbikian et al.	
5,537,707	A	7/1996	Middleton	
D406,931	S	3/1999	Morris	
D431,367	S	10/2000	Burkhardt	
6,178,581	B1	1/2001	Lewis	

Primary Examiner — Melanie H Tung

Assistant Examiner — Lavone D Tabor

(74) *Attorney, Agent, or Firm* — St. Onge Steward Johnston & Reens LLC

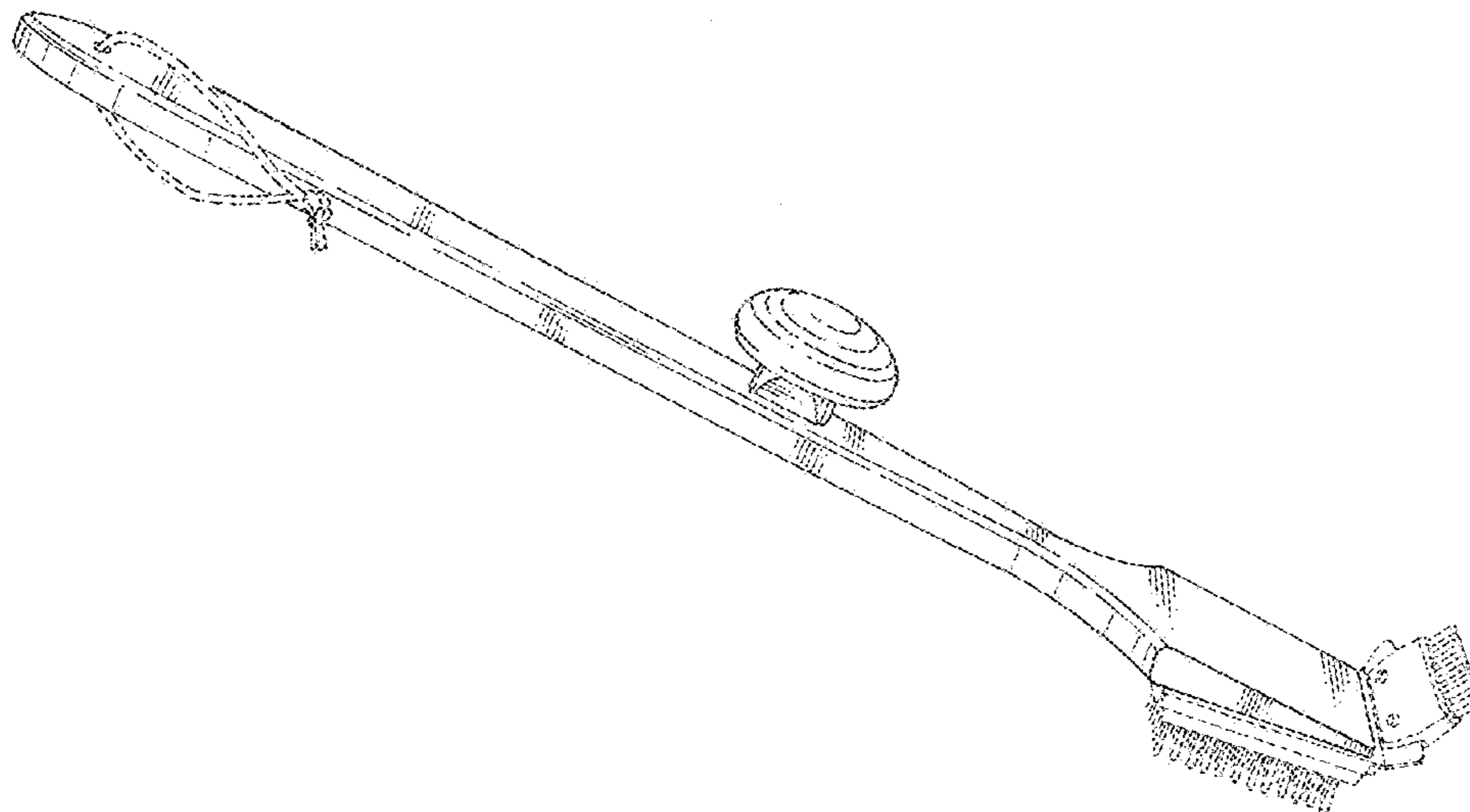
(57) **CLAIM**

The ornamental design for a wooden handle grill brush, as shown and described.

DESCRIPTION

FIG. 1 is an isometric view of a wooden handle grill brush in accordance with the new design;
FIG. 2 is a side view thereof;
FIG. 3 is a top view thereof;
FIG. 4 is a bottom view thereof;
FIG. 5 is an enlarged front view thereof; and,
FIG. 6 is an enlarged rear view thereof.
The elements shown in broken lines illustrate portions of the grill brush that form no part of the claimed design.

1 Claim, 6 Drawing Sheets



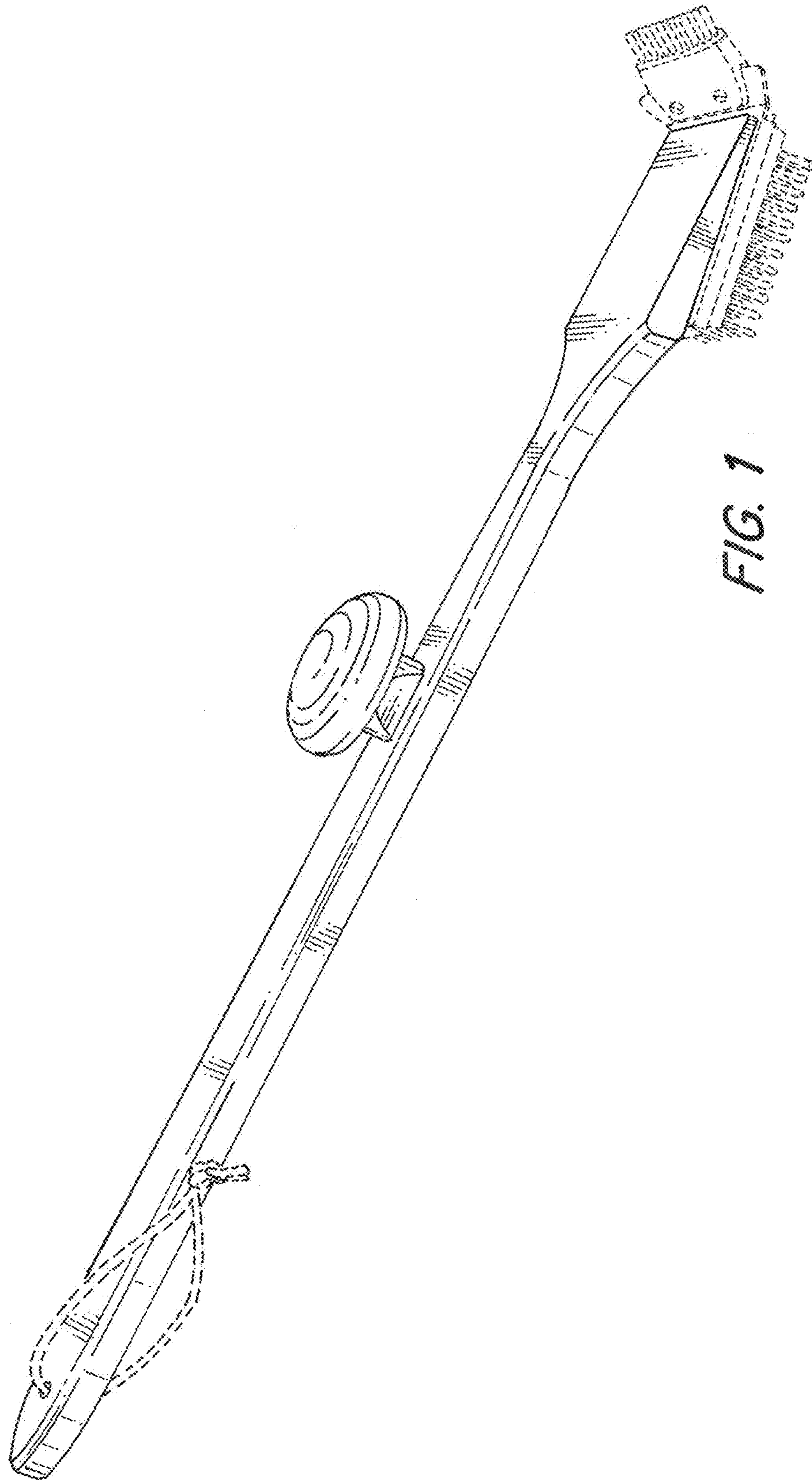


FIG. 1

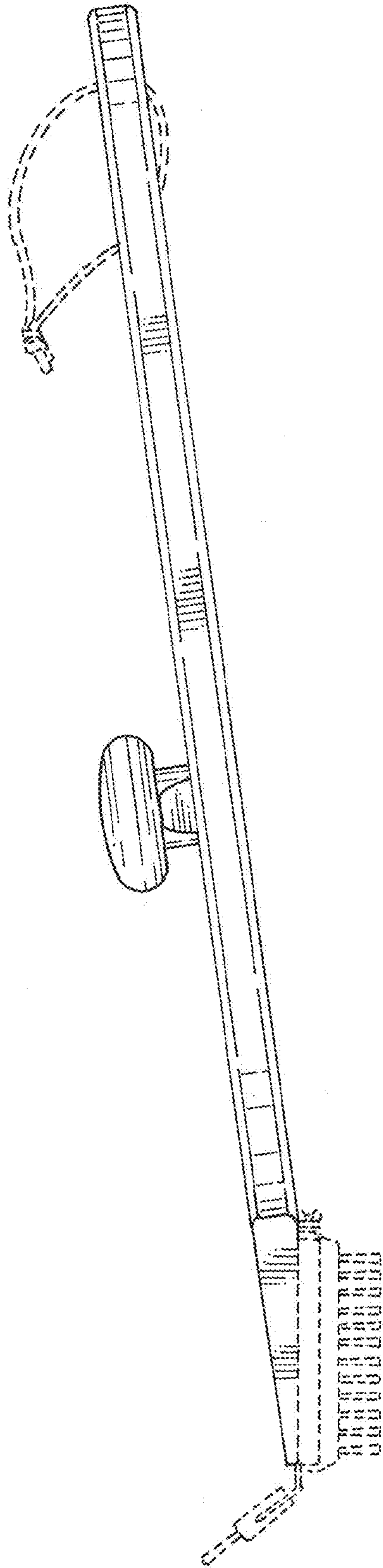


FIG. 2

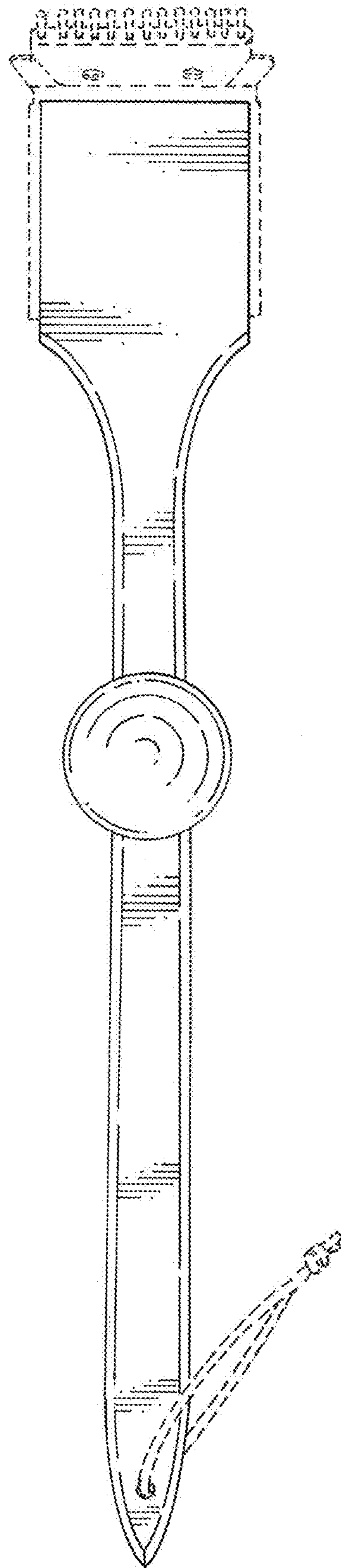


FIG. 3

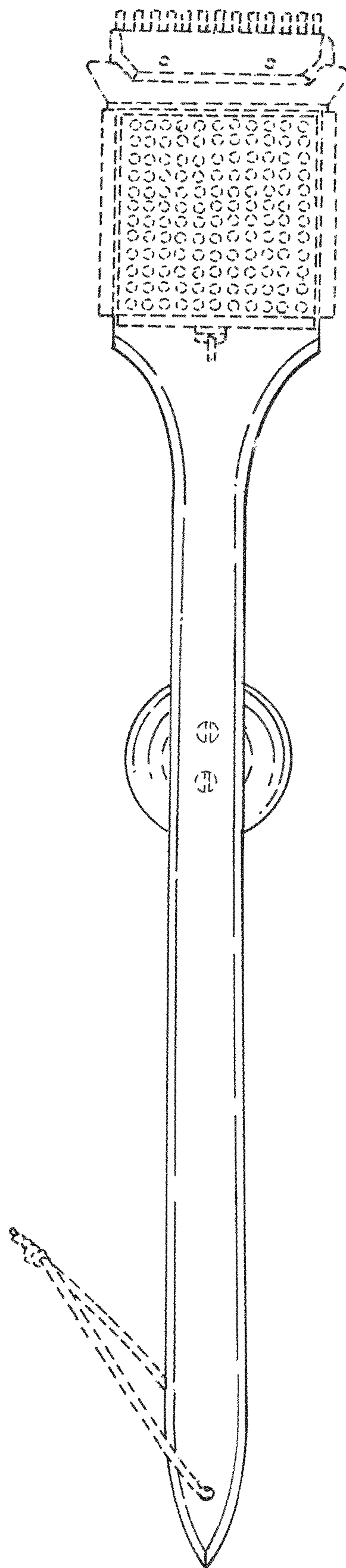


FIG. 4

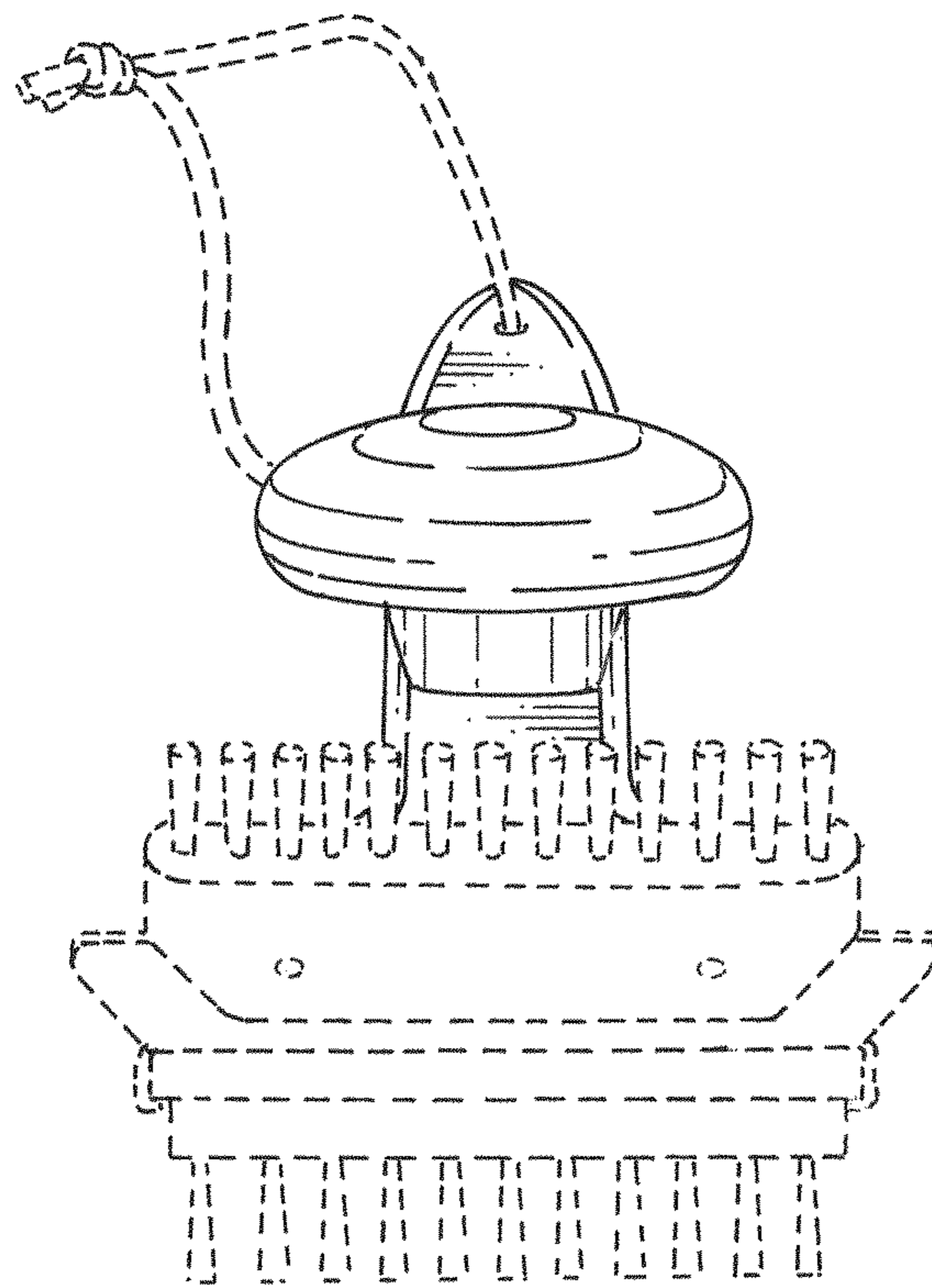


FIG. 5

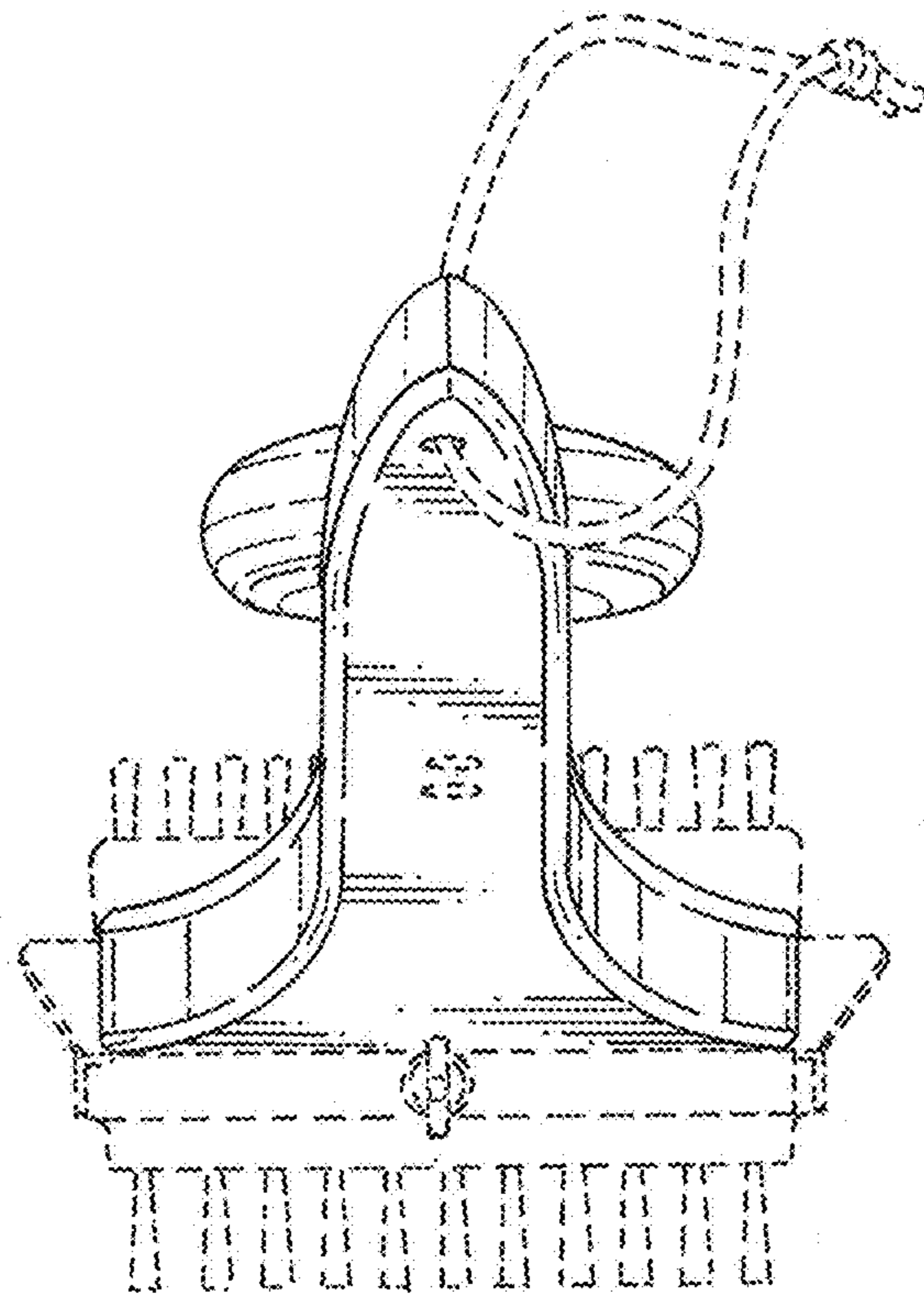


FIG. 6