



US00D681344S

(12) **United States Design Patent**
Davis et al.

(10) **Patent No.:** **US D681,344 S**
(45) **Date of Patent:** **** May 7, 2013**

(54) **HANDLE FOR APPLICATOR BRUSH**

(75) Inventors: **William John Davis**, Corsham (GB);
Samuel William Lucking, Cheltenham
(GB); **David James McNeill**,
Chippenham (GB); **John Edward**
Sheppard, Wokingham (GB)

(73) Assignee: **The Procter & Gamble Company**,
Cincinnati, OH (US)

(**) Term: **14 Years**

(21) Appl. No.: **29/397,771**

(22) Filed: **Jul. 20, 2011**

(30) **Foreign Application Priority Data**

Jan. 26, 2011 (WO) 584426301

(51) **LOC (9) Cl.** **04-02**

(52) **U.S. Cl.**
USPC **D4/138; D4/199**

(58) **Field of Classification Search** D4/130-138;
D1/127; D11/89, 90; D28/7, 8.1, 8.2, 20,
D28/30, 31, 78, 79, 81; 132/120, 293, 294,
132/313, 317, 320; 15/143.1, 159.1, 160,
15/186-188, 191.1-193, 236.01-236.03,
15/237; D8/349, 354; D32/40, 46, 49
See application file for complete search history.

(56) **References Cited**

U.S. PATENT DOCUMENTS

D96,714 S * 8/1935 Wewetzer D28/78
D179,544 S * 1/1957 Mayer D4/130
D222,025 S * 9/1971 Whitaker D4/118
D276,143 S * 10/1984 Williams D11/121
D332,160 S * 12/1992 Kuzma D32/41
5,485,647 A * 1/1996 Durst 15/111

D399,160 S * 10/1998 Pandel D10/128
6,073,634 A * 6/2000 Gueret 132/218
6,076,531 A * 6/2000 Gueret 132/218
D441,536 S * 5/2001 Jackson-MacDonald D4/118
D521,740 S * 5/2006 Pryor D4/135

OTHER PUBLICATIONS

CN 3143402 Registered Design Application, (Zhang, Ruibiao) Mar.
29, 2000, [online], [retrieved on Dec. 7, 2012] Retrieved from the
Questel Intellectual Property Portal Design Database using the
Internet: <URL: <http://www.orbit.com>>.*

* cited by examiner

Primary Examiner — Melanie H Tung

Assistant Examiner — Lavone D Tabor

(74) *Attorney, Agent, or Firm* — James T. Fondriest; Carl J.
Roof

(57) **CLAIM**

The ornamental design for a handle for applicator brush, as
shown and described.

DESCRIPTION

FIG. 1 is a perspective view of a handle for applicator brush
embodying our new design;

FIG. 2 is a front view of the handle for applicator brush shown
in FIG. 1;

FIG. 3 is a back view of the handle for applicator brush shown
in FIG. 1;

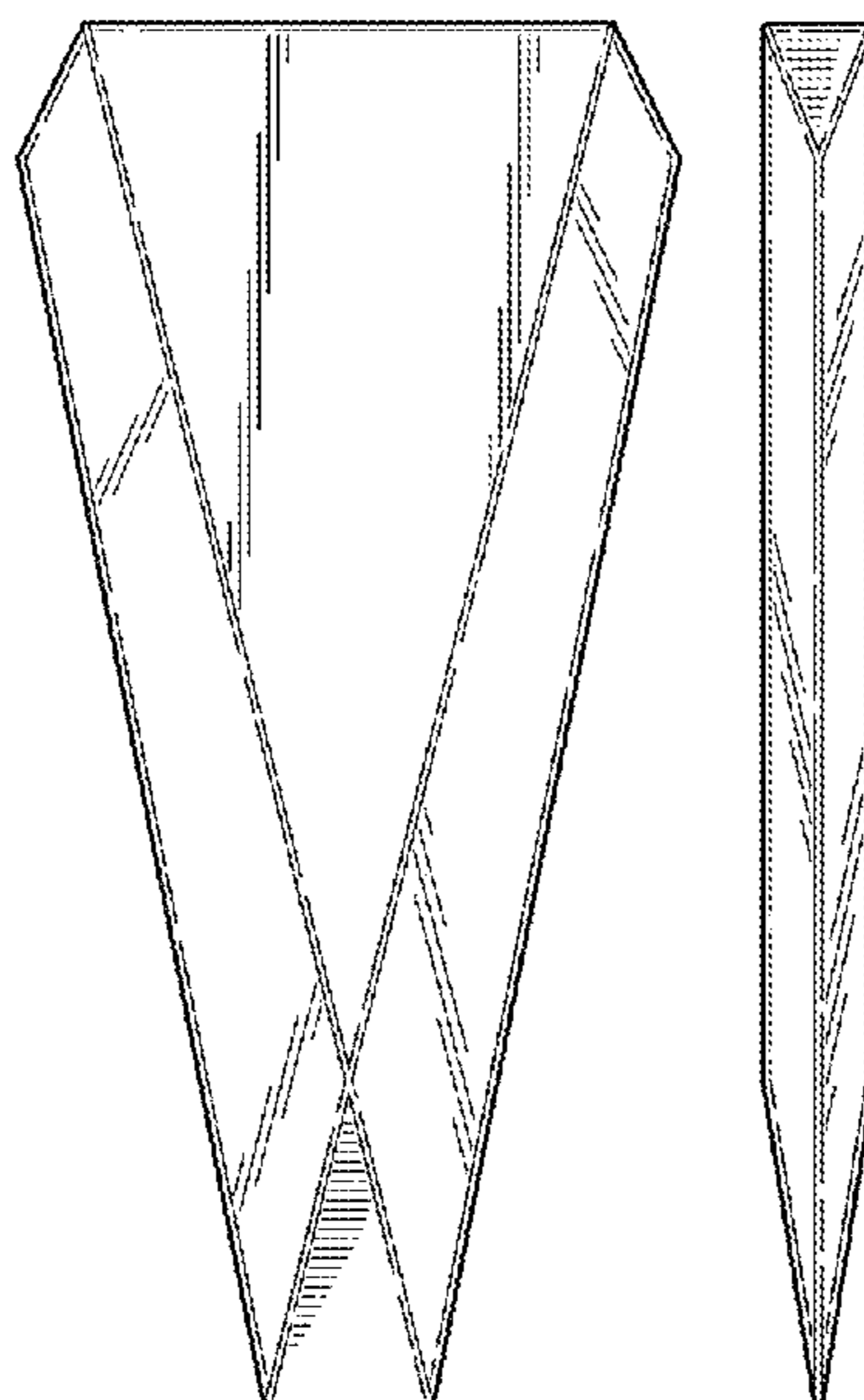
FIG. 4 is a left side view of the handle for applicator brush
shown in FIG. 1;

FIG. 5 is a right side view of the handle for applicator brush
shown in FIG. 1;

FIG. 6 is a top view of the handle for applicator brush shown
in FIG. 1; and,

FIG. 7 is a bottom view of the handle for applicator brush
shown in FIG. 1.

1 Claim, 2 Drawing Sheets



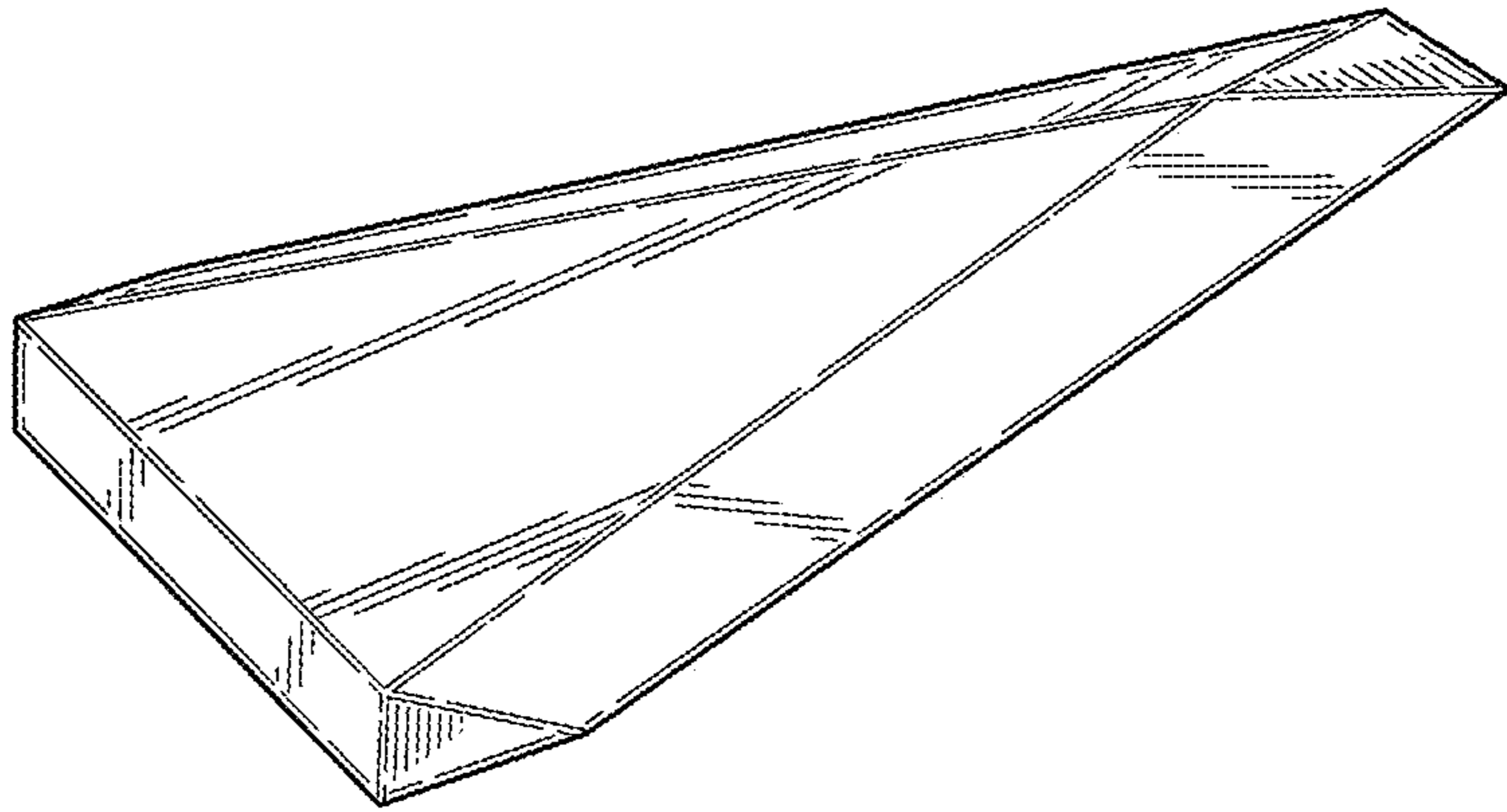


Fig. 1

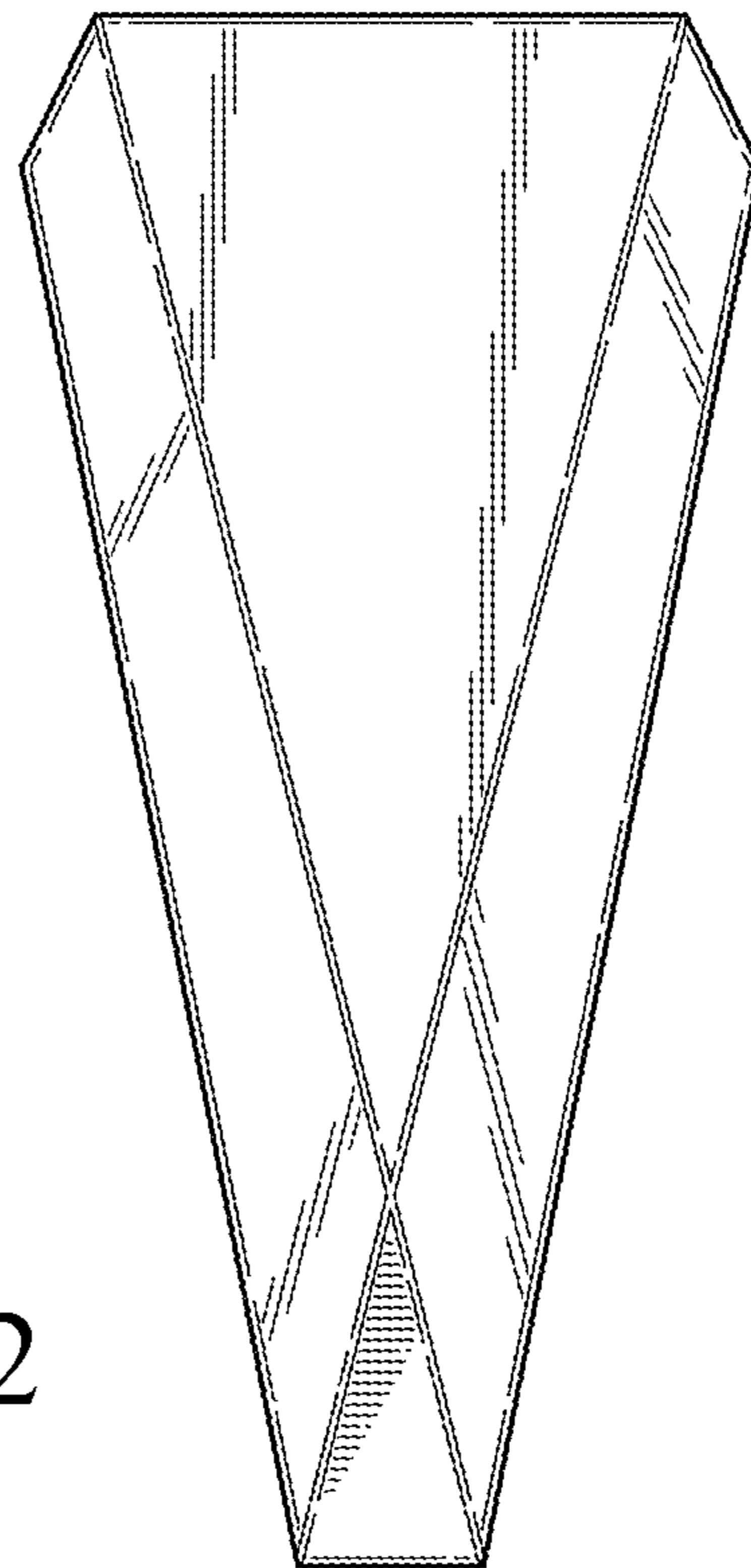


Fig. 2

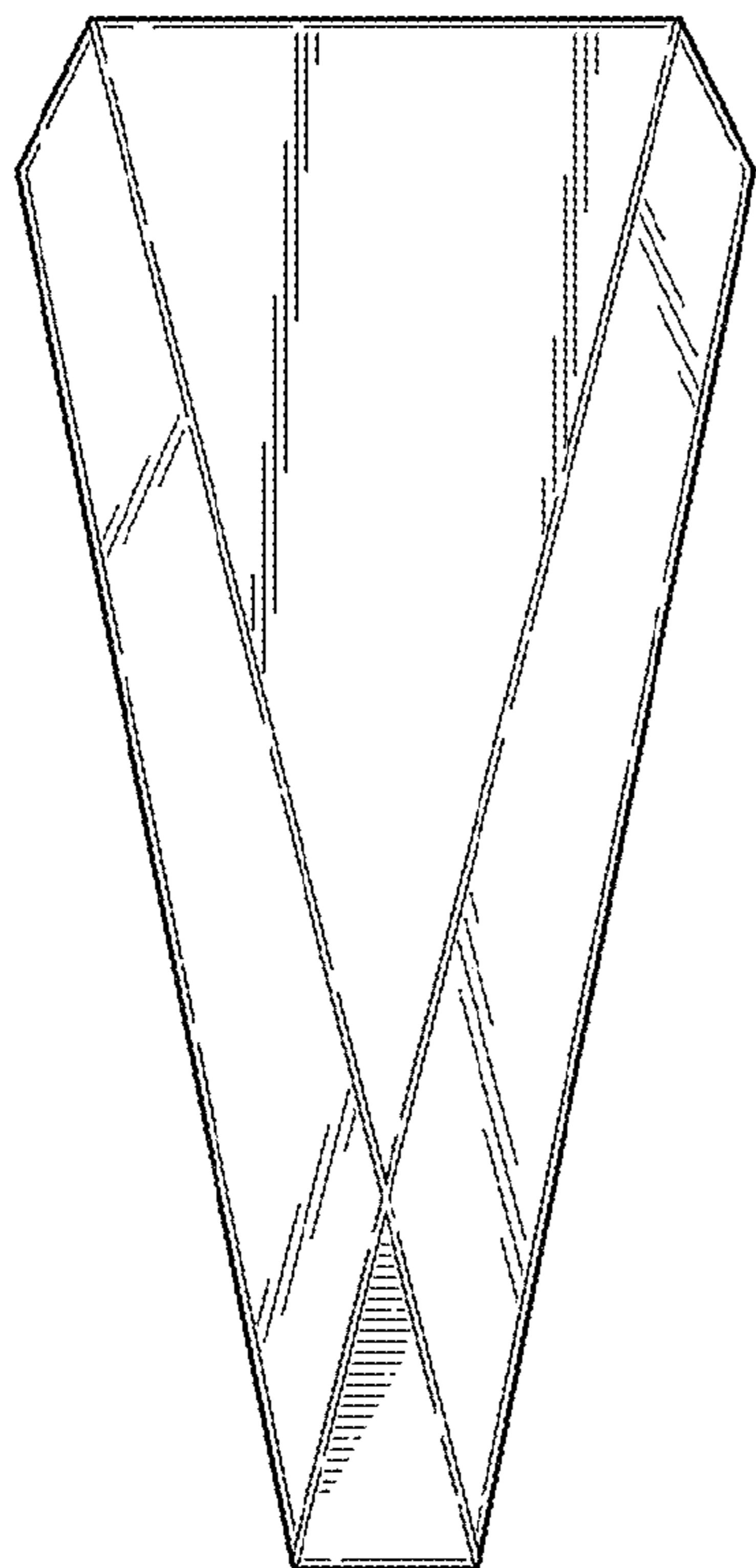


Fig. 3

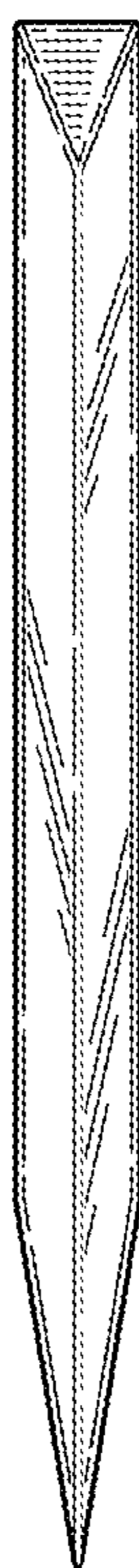


Fig. 4

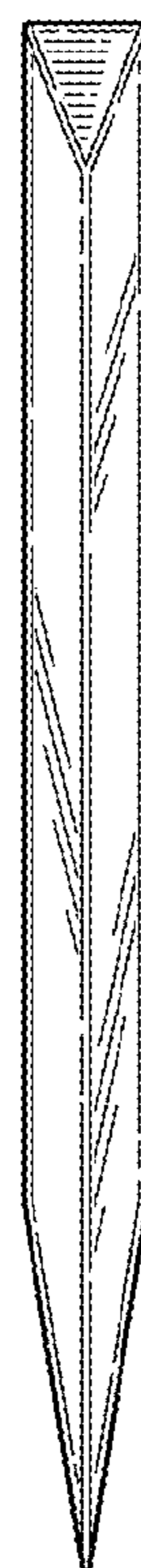


Fig. 5

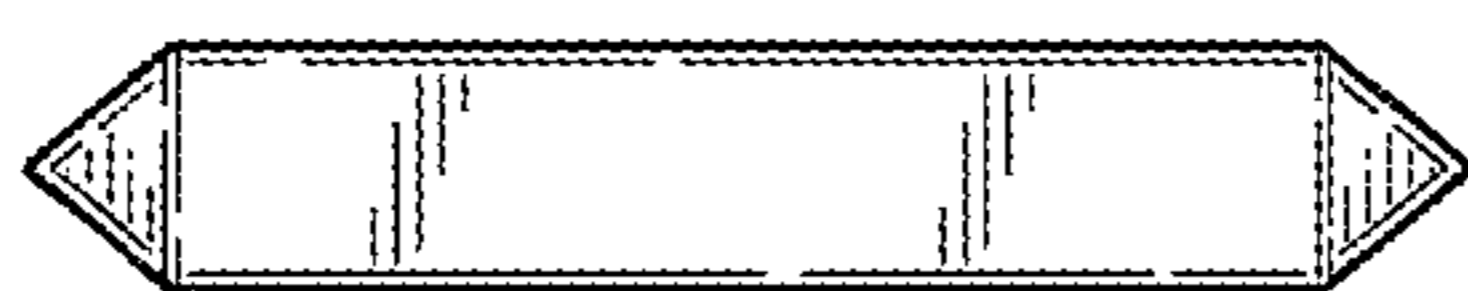


Fig. 6



Fig. 7