



US00D681342S

(12) **United States Design Patent**
Brower

(10) **Patent No.:** **US D681,342 S**

(45) **Date of Patent:** **** May 7, 2013**

(54) **PAINT BRUSH**

(76) Inventor: **Lisa Brower**, Sanford, FL (US)

(**) Term: **14 Years**

(21) Appl. No.: **29/426,616**

(22) Filed: **Jul. 9, 2012**

(51) **LOC (9) Cl.** **04-02**

(52) **U.S. Cl.**
USPC **D4/135**

(58) **Field of Classification Search** D4/100,
D4/102, 114, 135, 116, 121, 127; 15/21.1,
15/22.1, 23, 24, 28, 29, 191.1, 192, 193,
15/194, 166, 168, 171, 175, 176.1; 132/218,
132/217; D28/7, 57

See application file for complete search history.

(56) **References Cited**

U.S. PATENT DOCUMENTS

D293,165 S *	12/1987	Machacek	D4/135
D359,853 S *	7/1995	Haug	D4/132
D367,175 S *	2/1996	Teufel et al.	D4/132
D411,920 S *	7/1999	Vosbikian et al.	D4/135
D421,681 S *	3/2000	Breen	D4/199
D468,106 S *	1/2003	Robertson	D4/116
D472,716 S *	4/2003	Hay	D4/199

6,598,257 B2 *	7/2003	Cavalheiro	15/159.1
D499,555 S *	12/2004	Molek et al.	D4/199
6,877,181 B2 *	4/2005	Laux et al.	15/114
D509,659 S *	9/2005	Weaver	D4/135
D521,201 S *	5/2006	Iacchetti	D32/51
D537,255 S *	2/2007	Berti	D4/199
D587,417 S *	2/2009	Sartori et al.	D4/135
D625,522 S *	10/2010	Riaz	D4/135
RE42,564 E *	7/2011	Cavalheiro	15/159.1

* cited by examiner

Primary Examiner — Austin Murphy

(74) *Attorney, Agent, or Firm* — McKinney Law, PLLC

(57) **CLAIM**

The ornamental design for a paint brush, as shown and described.

DESCRIPTION

FIG. 1 is a front view of a paint brush;
FIG. 2 is a rear view of the paint brush;
FIG. 3 is a left side view of the paint brush;
FIG. 4 is a right side view of the paint brush;
FIG. 5 is a top view of the paint brush; and,
FIG. 6 is a bottom view of the paint brush.
The broken lines of FIG. 4 are for purposes of illustration only and form no part of the claimed design.

1 Claim, 3 Drawing Sheets

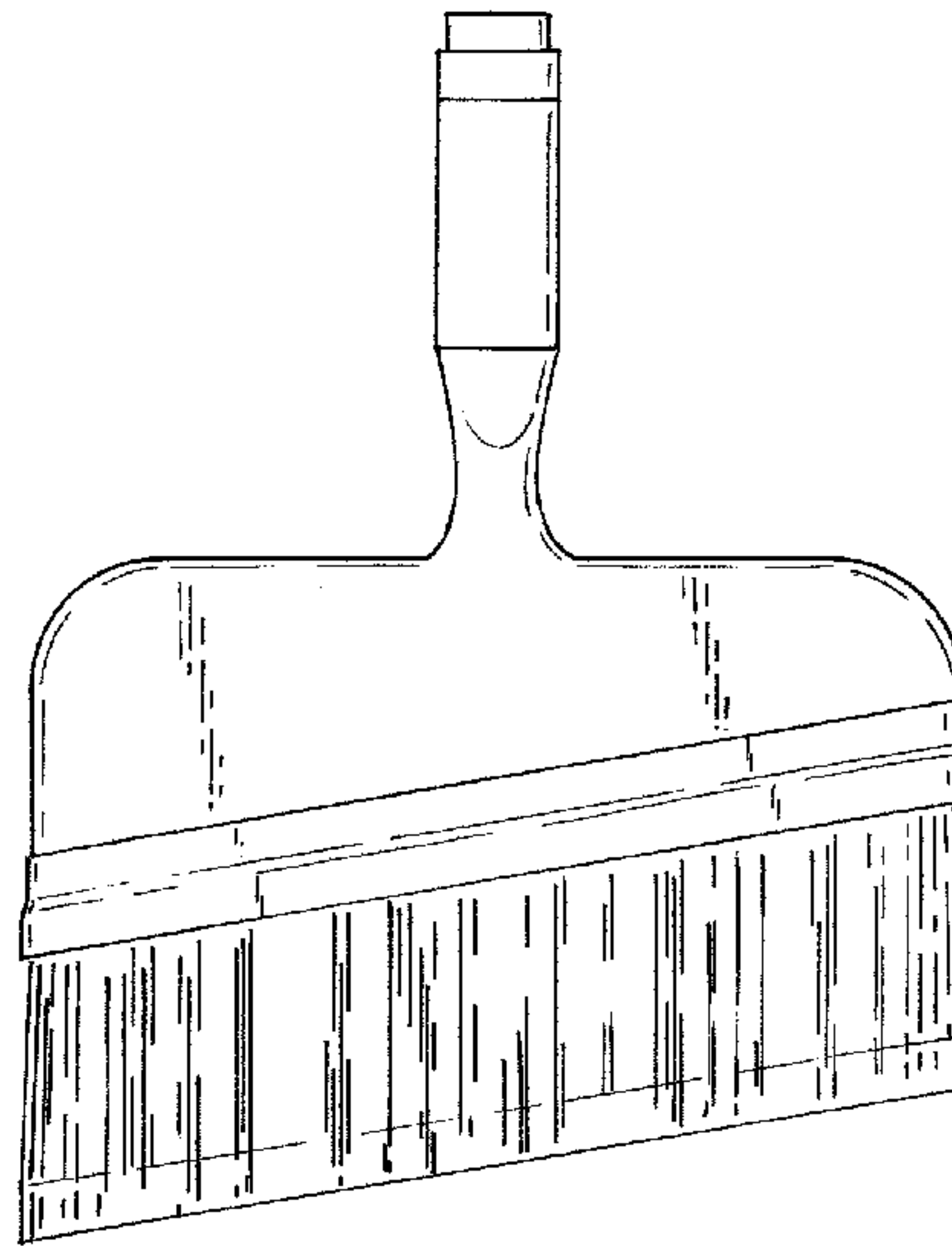
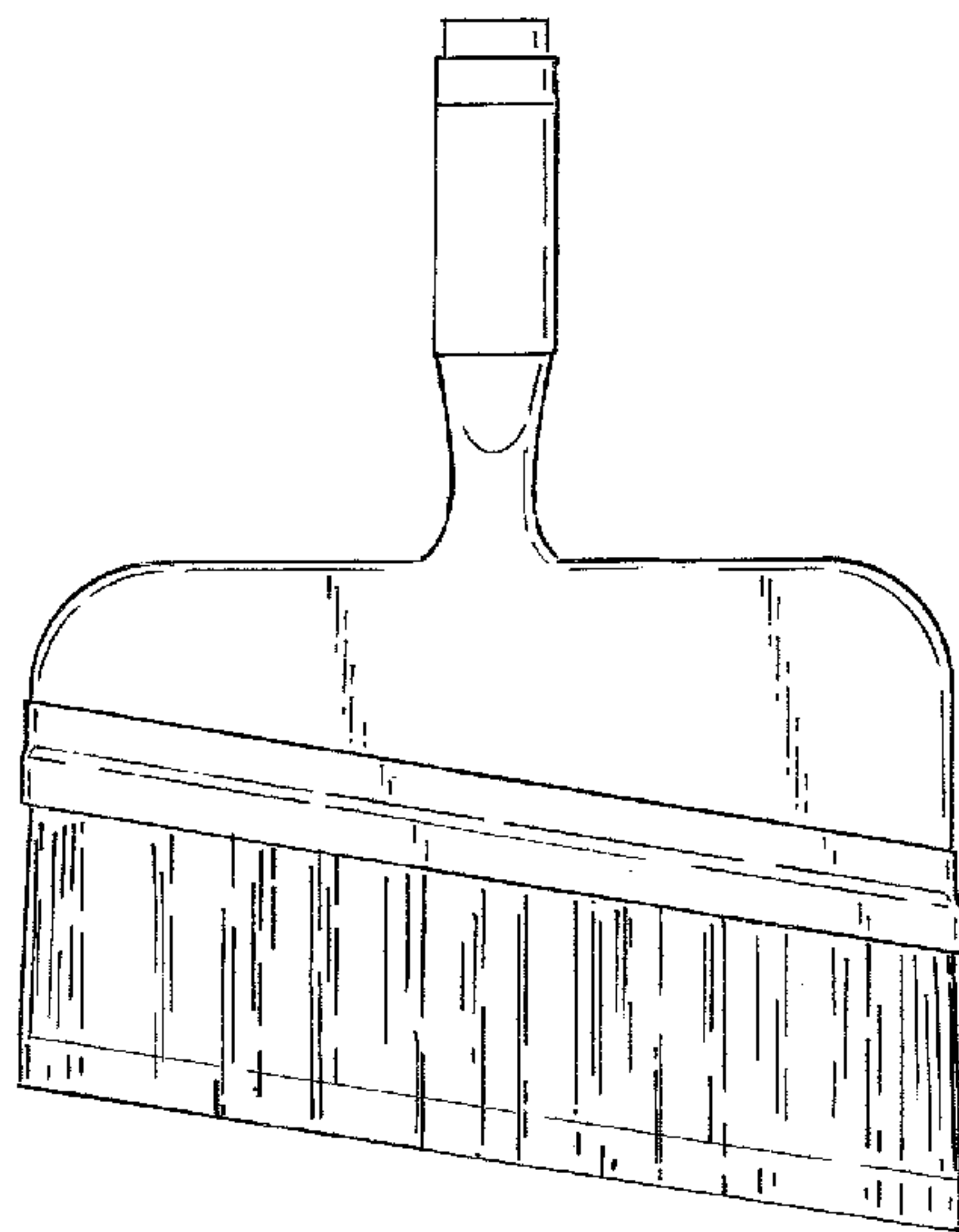


FIG. 1

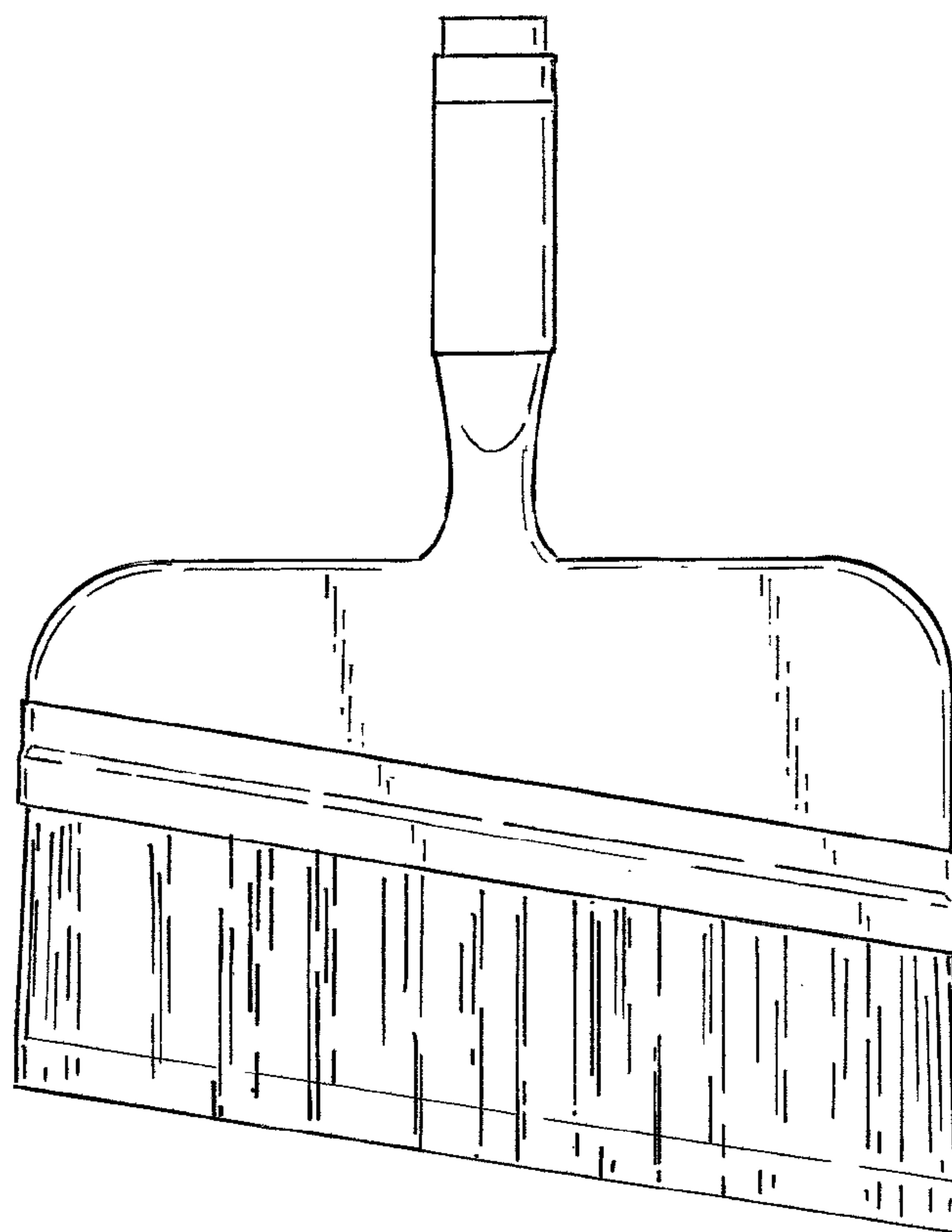


FIG. 2

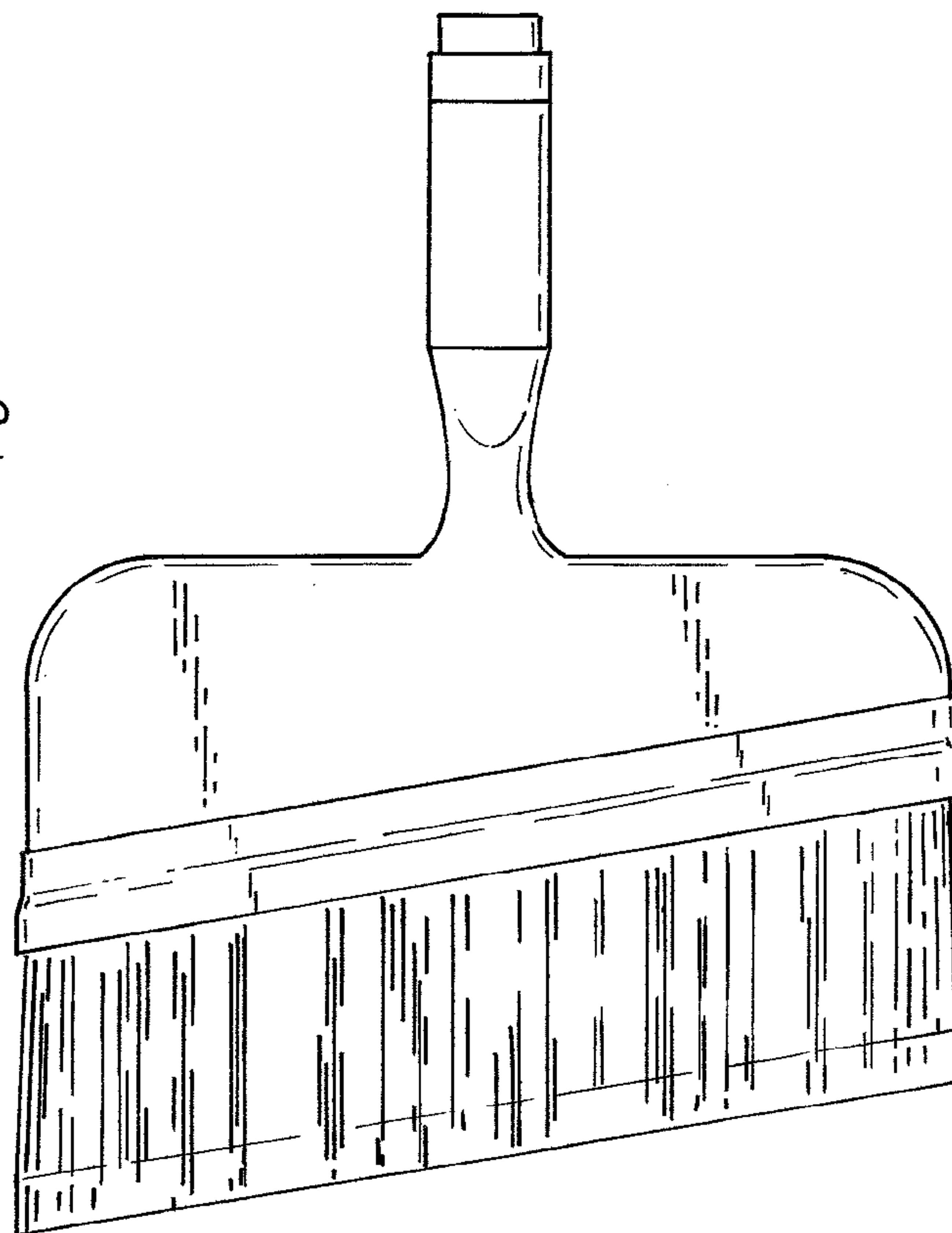


FIG. 3

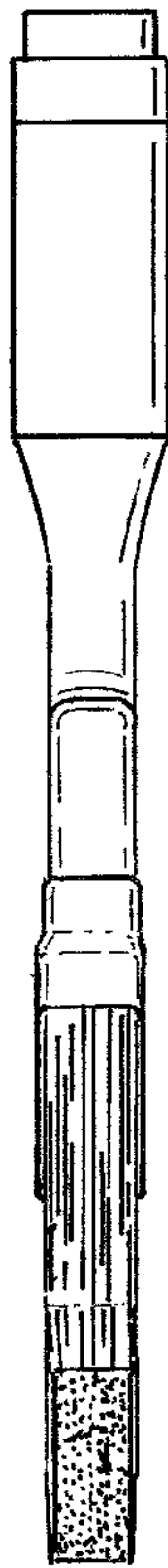


FIG. 4

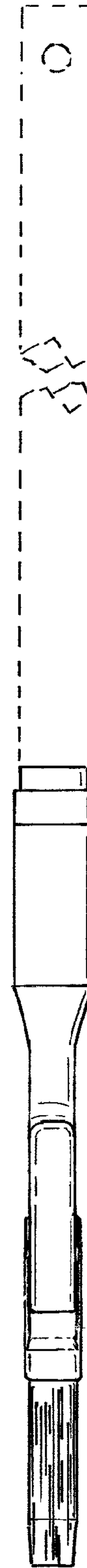


FIG. 5

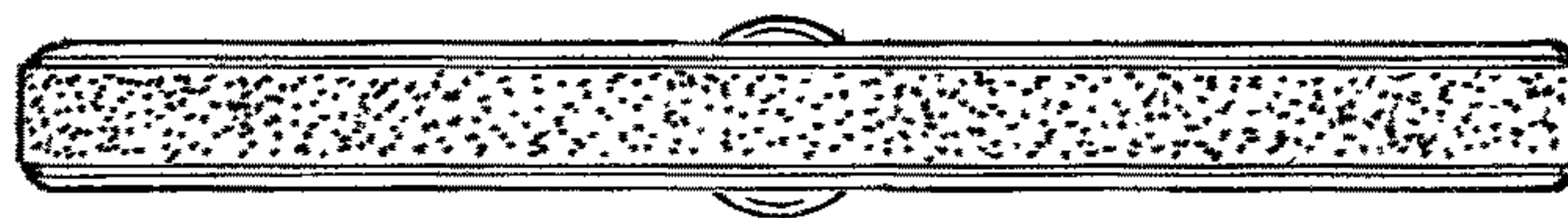


FIG. 6