



US00D681341S

(12) **United States Design Patent**  
**Caligaris et al.**

(10) **Patent No.:** **US D681,341 S**

(45) **Date of Patent:** **\*\* May 7, 2013**

(54) **TRAVEL LINT ROLLER**

(75) Inventors: **Mark Caligaris**, Greenville, SC (US);  
**Allison L. Guyton**, Lawrenceville, GA  
(US); **Erica Knight**, Chamblee, GA  
(US)

(73) Assignee: **Prym Consumer USA Inc.**,  
Spartanburg, SC (US)

(\*\*) Term: **14 Years**

(21) Appl. No.: **29/411,876**

(22) Filed: **Jan. 27, 2012**

(51) **LOC (9) Cl.** ..... **04-01**

(52) **U.S. Cl.**  
USPC ..... **D4/122**

(58) **Field of Classification Search** ..... D4/122,  
D4/128, 138; 15/27, 104.002, 143.1, 230.11;  
16/110.1, 430; 492/13, 14, 17, 19  
See application file for complete search history.

(56) **References Cited**

U.S. PATENT DOCUMENTS

1,296,186	A *	3/1919	Hines	.....	15/185
4,979,257	A *	12/1990	Heneveld	.....	15/104.002
D336,784	S *	6/1993	Yen	.....	D4/122
5,967,574	A *	10/1999	Weichman et al.	.....	294/212
D468,540	S *	1/2003	Jessen	.....	D4/122
D539,545	S *	4/2007	Crane et al.	.....	D4/122
7,213,291	B2 *	5/2007	Cheng	.....	15/104.2
D545,064	S *	6/2007	Knight et al.	.....	D4/121
D552,356	S *	10/2007	Newbould et al.	.....	D4/122

D573,798	S *	7/2008	Catalfamo et al.	.....	D4/122
D638,222	S *	5/2011	Molinet et al.	.....	D4/122
D654,699	S *	2/2012	Ross	.....	D4/116

\* cited by examiner

*Primary Examiner* — Austin Murphy

(74) *Attorney, Agent, or Firm* — J. Bennett Mullinax

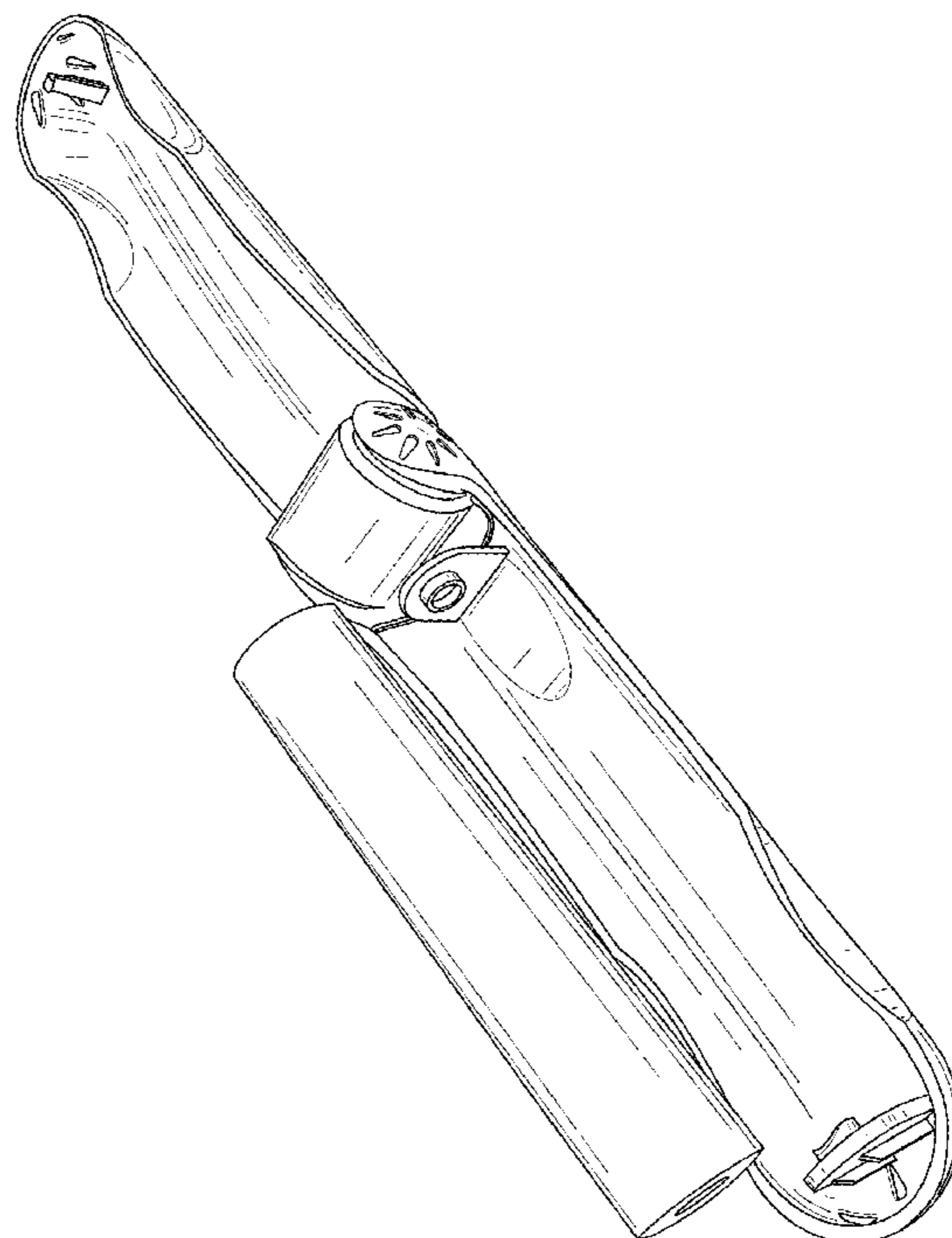
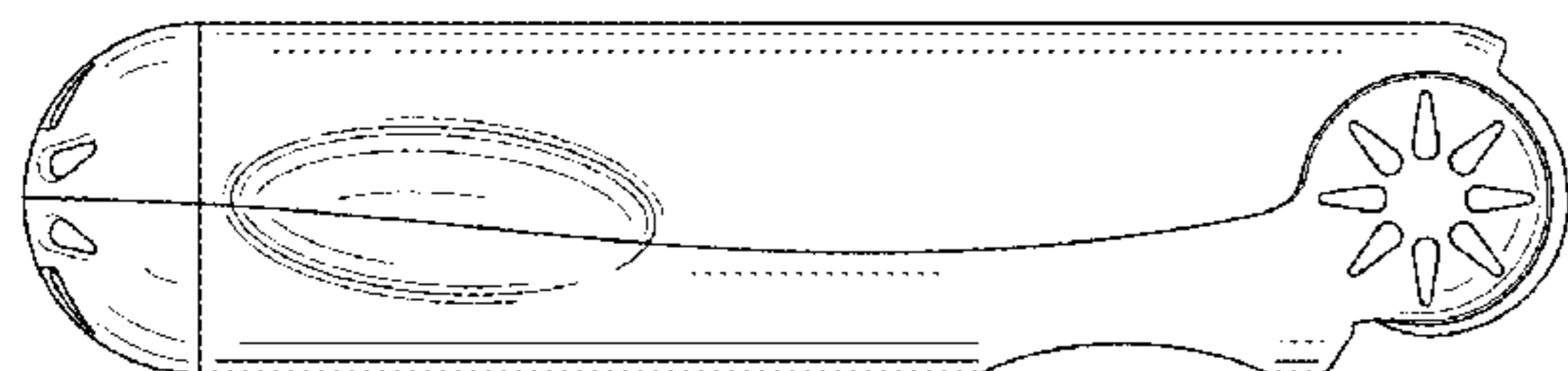
(57) **CLAIM**

The ornamental design for a travel lint roller, as shown and described.

**DESCRIPTION**

FIG. 1 is the top and right perspective view of the travel lint roller;  
 FIG. 2 is the right side view thereof;  
 FIG. 3 is the left side view thereof;  
 FIG. 4 is the top view thereof;  
 FIG. 5 is the bottom view thereof;  
 FIG. 6 is the front view thereof;  
 FIG. 7 is the rear view thereof;  
 FIG. 8 is the top and right perspective view of the travel lint roller in an open position of use;  
 FIG. 9 is the right side view of FIG. 8;  
 FIG. 10 is the left side view of FIG. 8;  
 FIG. 11 is the top view of FIG. 8;  
 FIG. 12 is the bottom view of FIG. 8;  
 FIG. 13 is the front view of FIG. 8;  
 FIG. 14 is the rear view of FIG. 8; and,  
 FIG. 15 is the top and right perspective view of FIG. 8 with the roller shown separated for completeness of illustration.

**1 Claim, 13 Drawing Sheets**



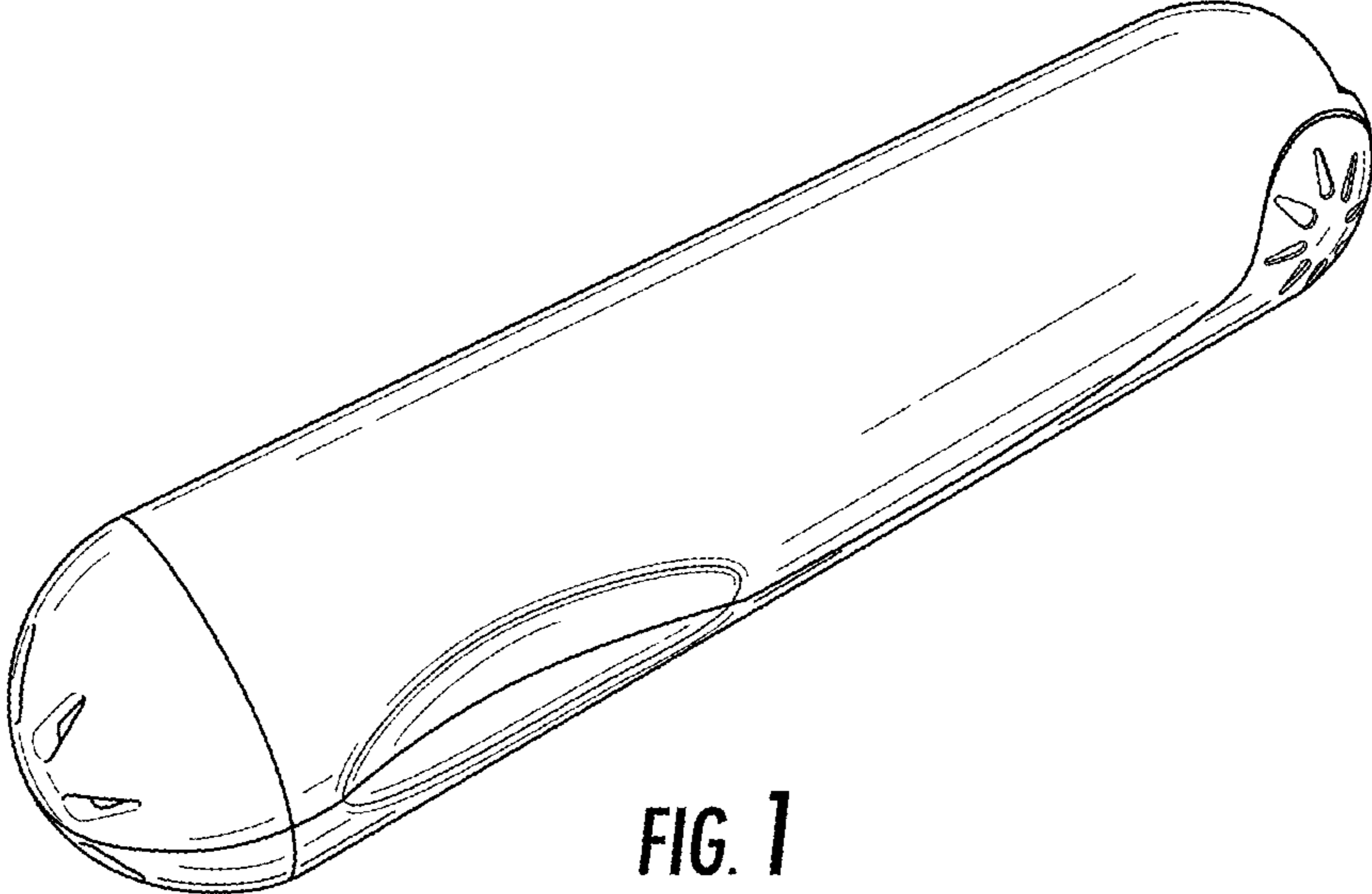
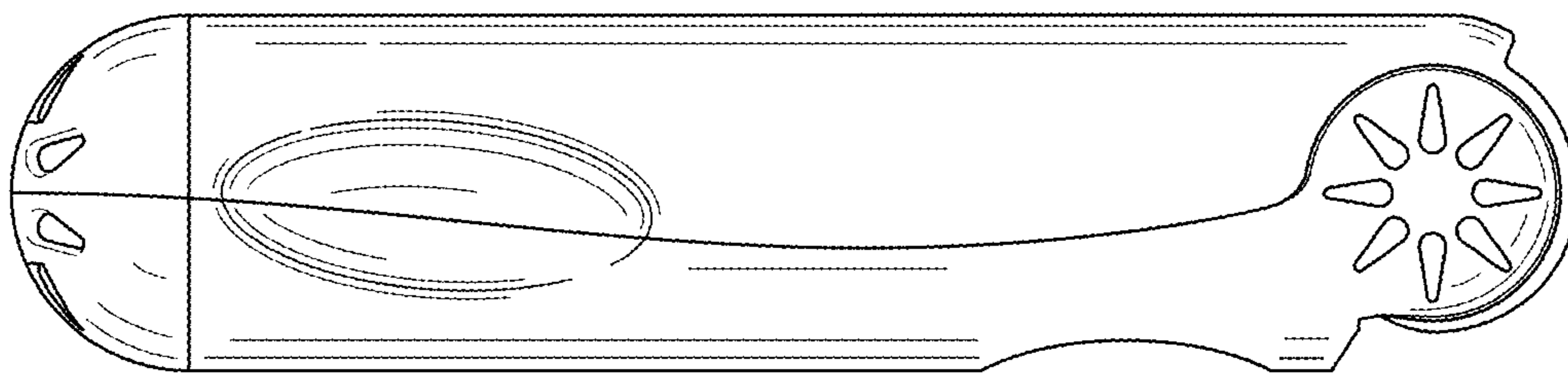
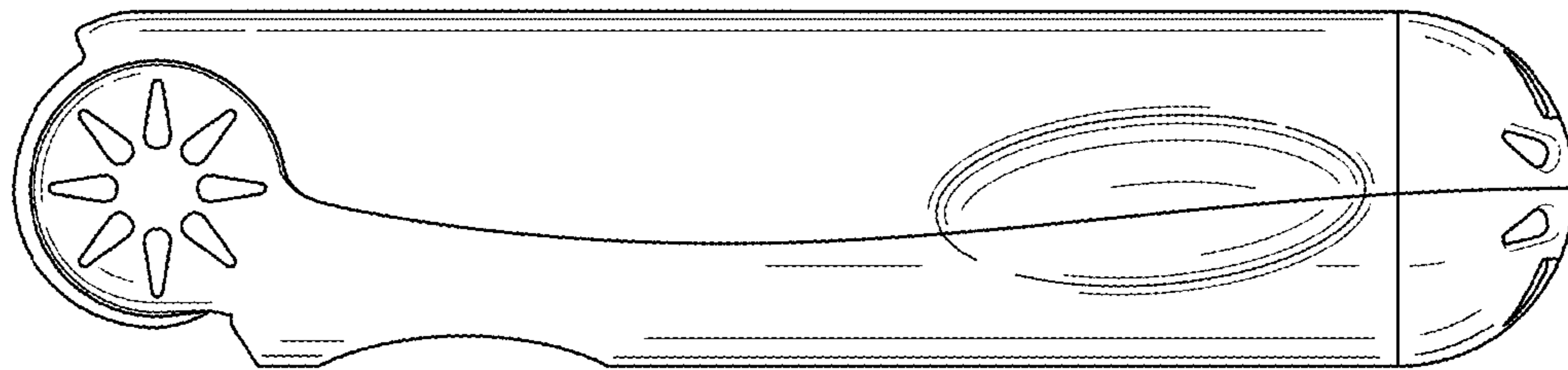


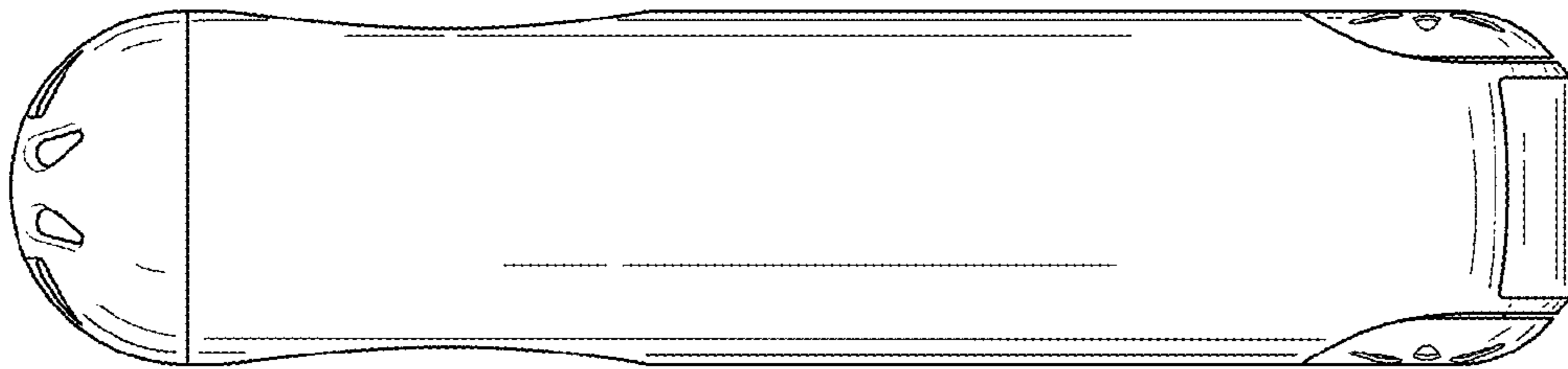
FIG. 1



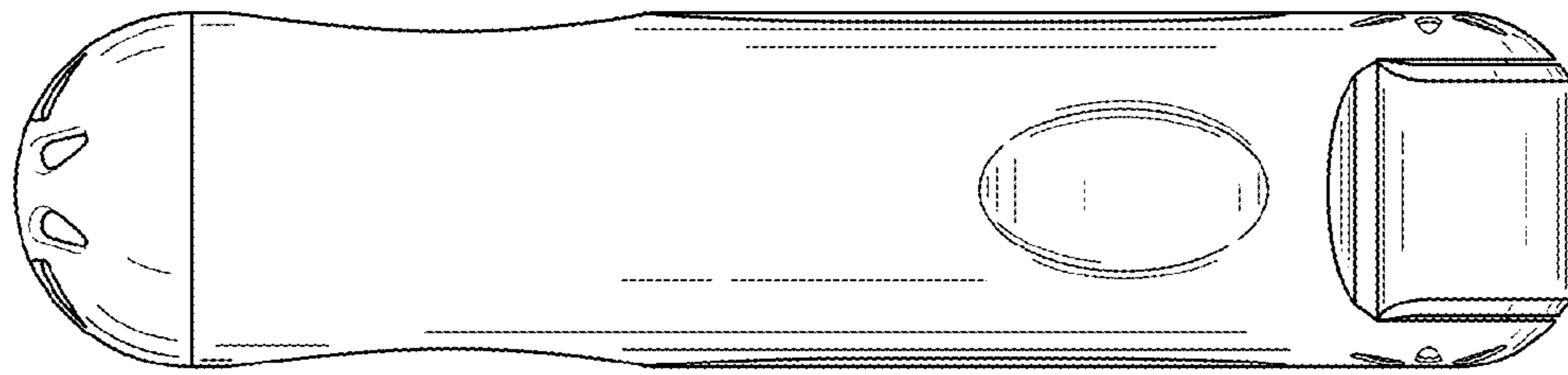
**FIG. 2**



**FIG. 3**



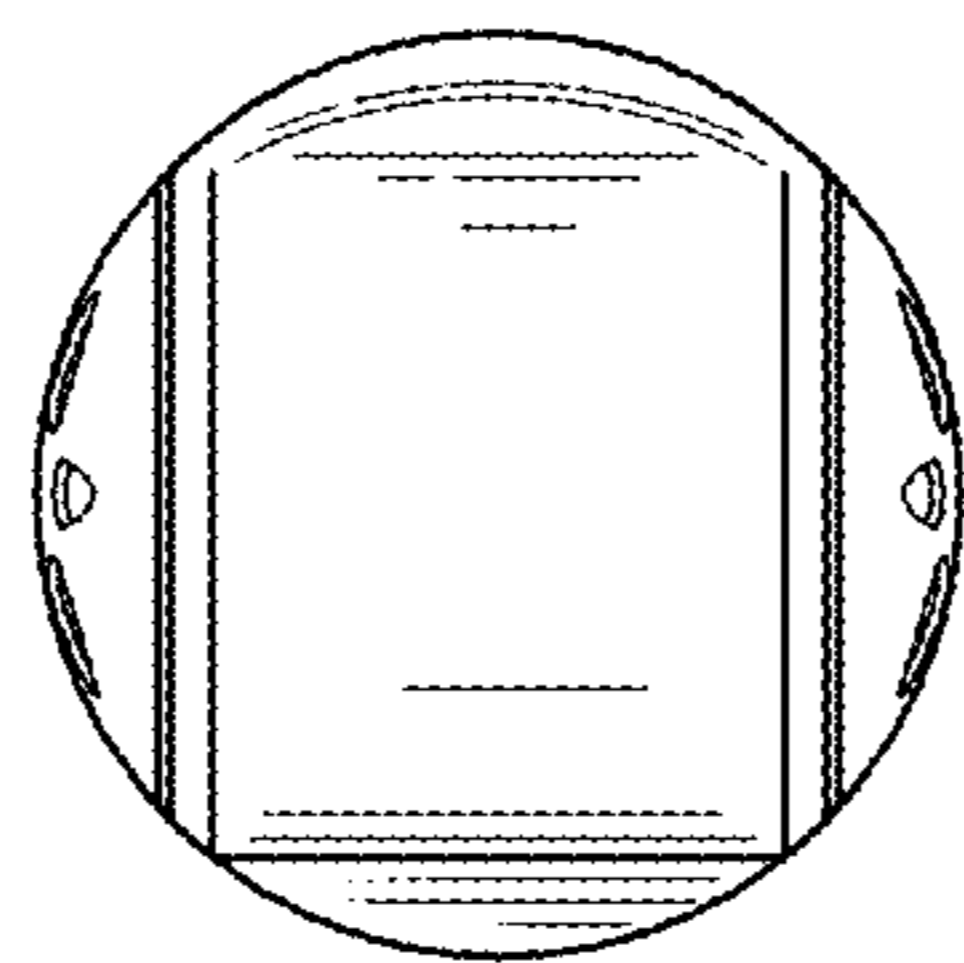
**FIG. 4**



**FIG. 5**



**FIG. 6**



**FIG. 7**

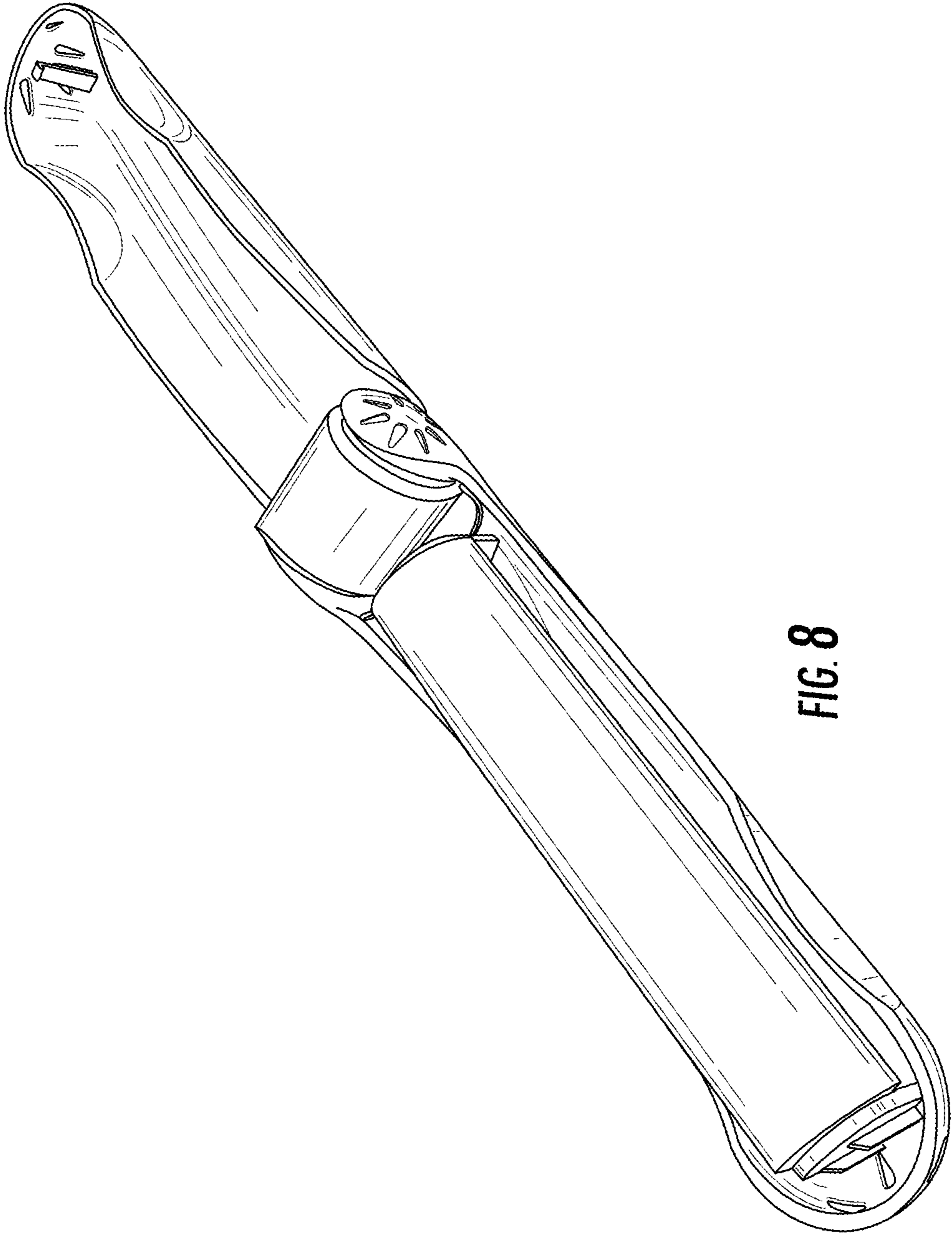


FIG. 8



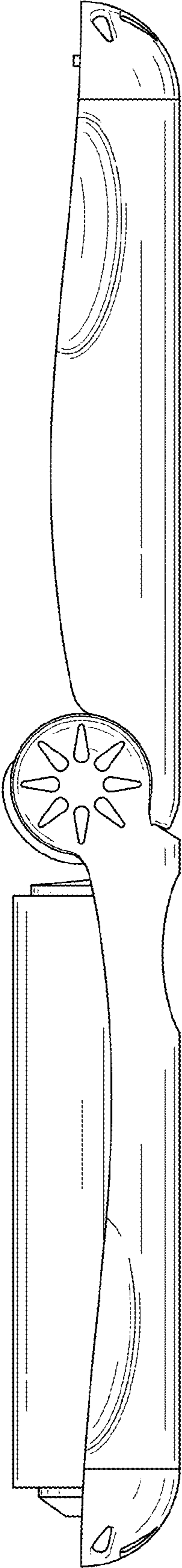


FIG. 9

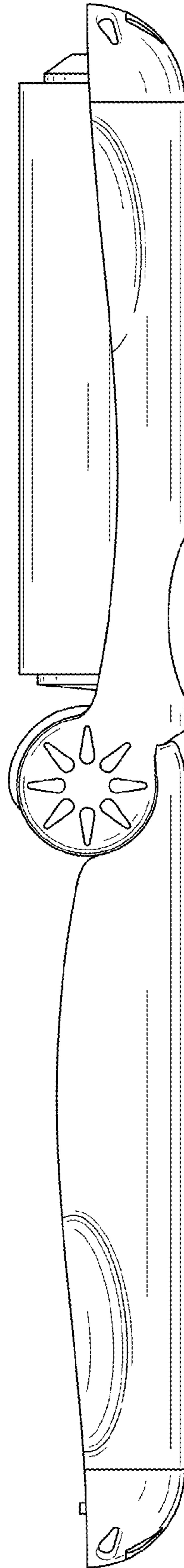


FIG. 10

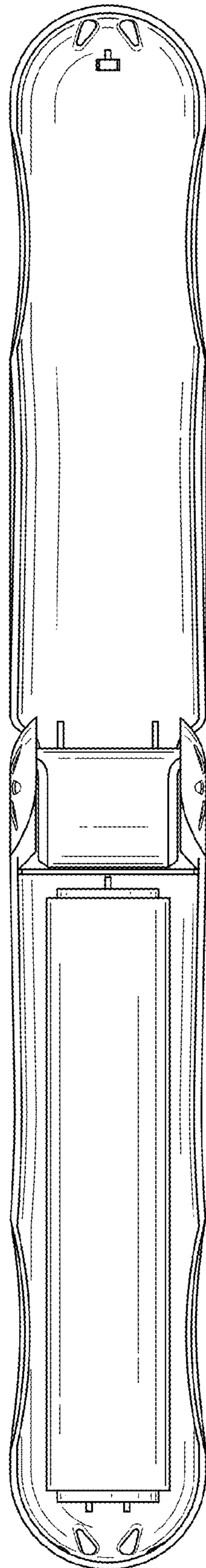


FIG. 11

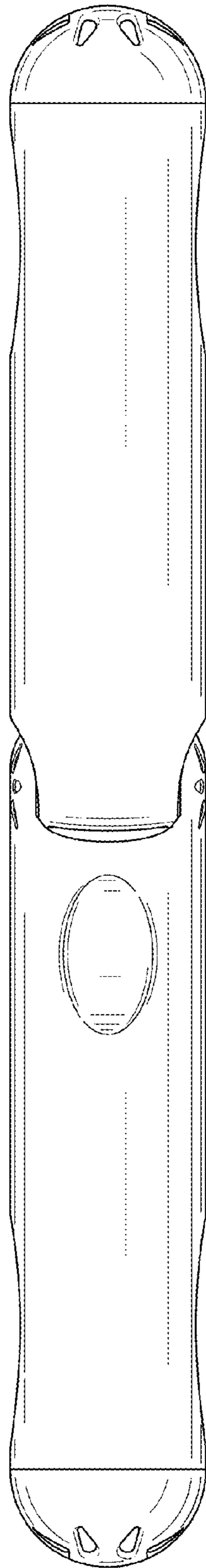
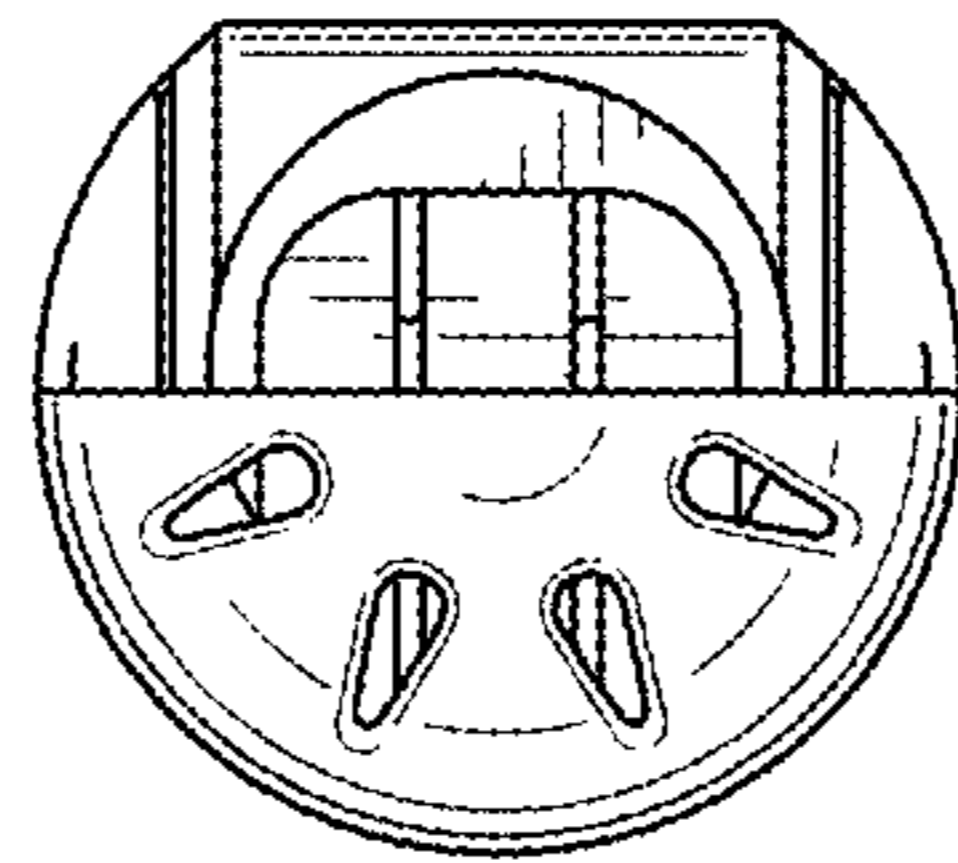
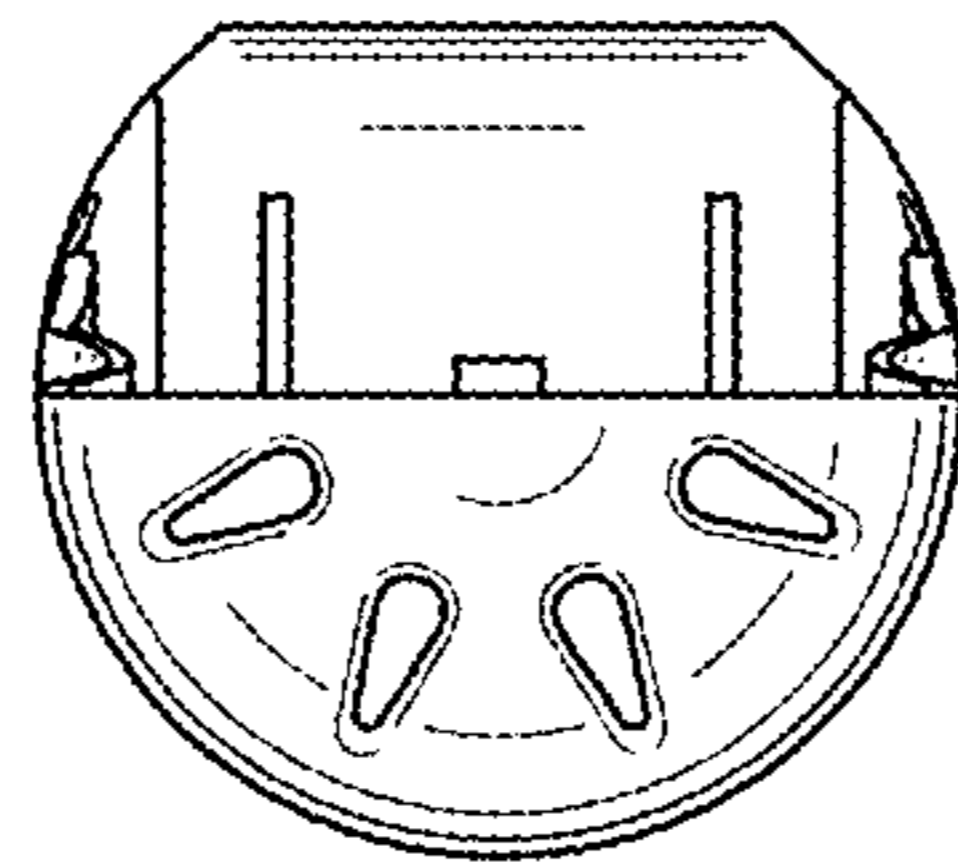


FIG. 12



**FIG. 13**



**FIG. 14**

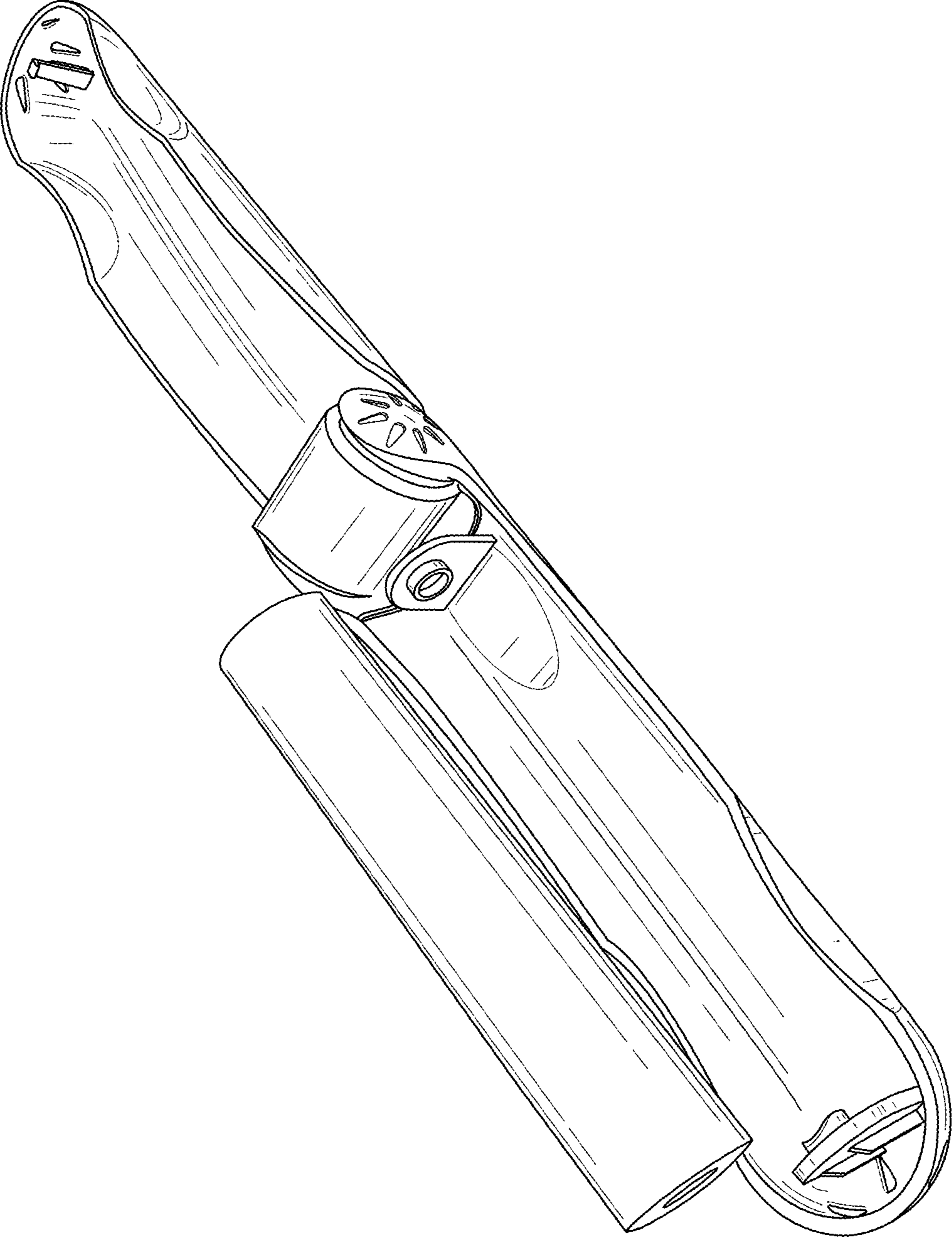


FIG. 15