



US00D681340S

(12) **United States Design Patent**
Kvols et al.

(10) **Patent No.:** **US D681,340 S**
(45) **Date of Patent:** **** May 7, 2013**

- (54) **INSERT FOR A CONTAINER**
- (75) Inventors: **Kevin Kvols**, Steamboat Springs, CO (US); **Stephen Schloesser**, Colorado Springs, CO (US)
- (73) Assignee: **Diversified Fixtures, Inc.**, Colorado Springs, CO (US)

5,555,980 A	9/1996	Johnston et al.
D375,201 S	11/1996	Karr et al.
5,617,967 A	4/1997	Neidhart
6,003,449 A	12/1999	Manidis
D423,220 S	4/2000	McDade
6,299,011 B1	10/2001	Rosenfeldt
D473,052 S	4/2003	Dehenau

(Continued)

- (**) Term: **14 Years**
- (21) Appl. No.: **29/430,412**
- (22) Filed: **Aug. 24, 2012**

FOREIGN PATENT DOCUMENTS

GB	2299132	9/1996
GB	2347668	9/2000

(Continued)

Primary Examiner — Holly Baynham
(74) *Attorney, Agent, or Firm* — Knobbe Martens Olson & Bear LLP

Related U.S. Application Data

- (63) Continuation of application No. 29/398,140, filed on Jul. 26, 2011, now Pat. No. Des. 668,459.
- (51) **LOC (9) Cl.** **03-01**
- (52) **U.S. Cl.**
USPC **D3/318**
- (58) **Field of Classification Search** D3/272-273,
D3/284, 294; 206/238.1, 278, 457, 215,
206/555
See application file for complete search history.

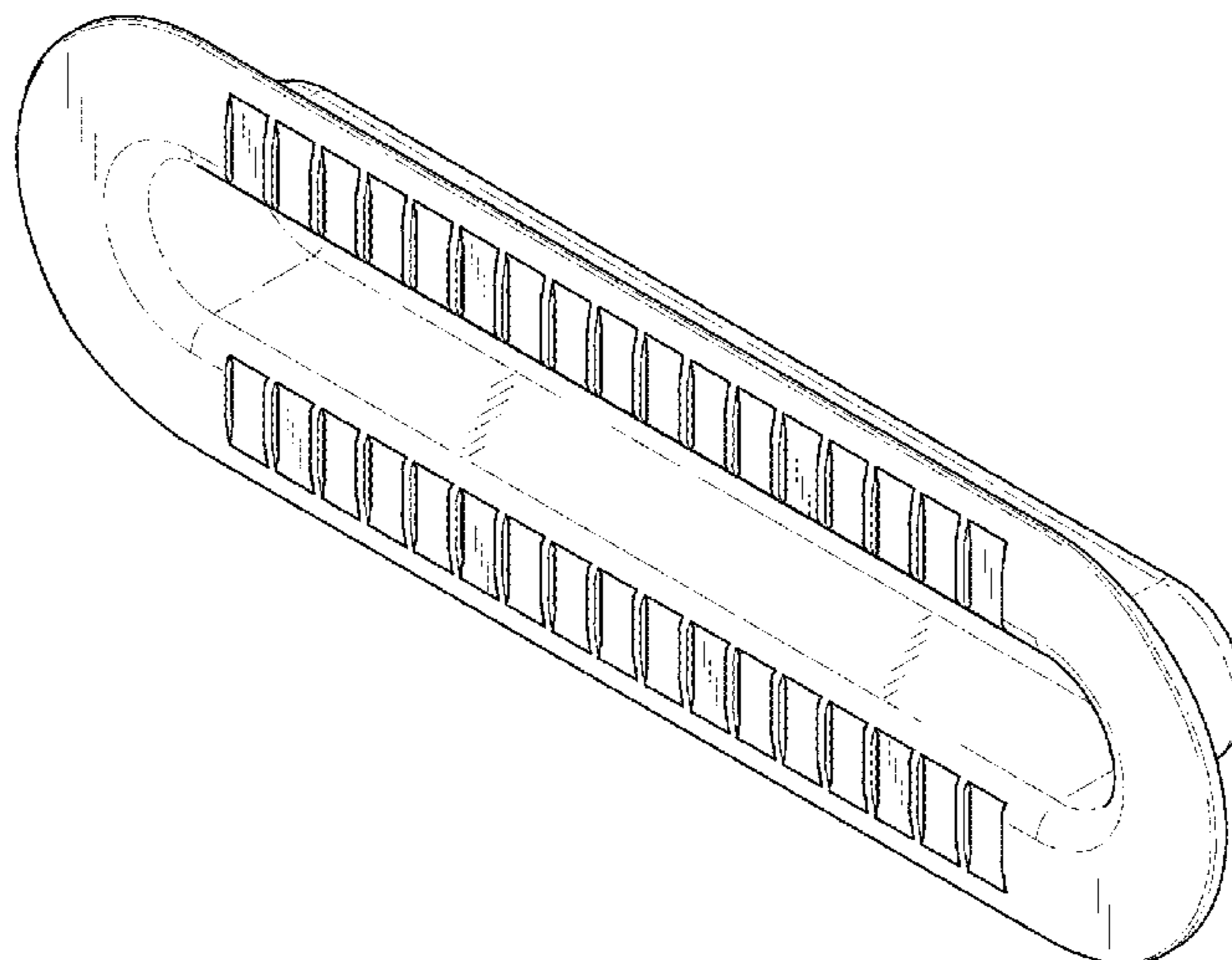
(57) **CLAIM**
The ornamental design for an insert for a container, as shown and described.

DESCRIPTION

FIG. 1 is a top, front and side perspective view of a first embodiment of an insert for a container embodying my new design.
FIG. 2 is a bottom view thereof.
FIG. 3 is a top view thereof.
FIG. 4 is a side view thereof
FIG. 5 is a side view thereof opposite the side view of FIG. 4.
FIG. 6 is a front view thereof.
FIG. 7 is a back view thereof; and,
FIG. 8 is a reduced scale, environmental view thereof.
The broken lines showing portions of the insert are for the purpose of illustrating environment and form no part of the claimed design. The broken lines showing the container are also for the purpose of illustrating environment and form no part of the claimed design.

- (56) **References Cited**
U.S. PATENT DOCUMENTS
3,323,674 A 6/1967 Nist, Jr.
3,712,499 A 1/1973 Talbert
3,990,599 A 11/1976 Rowley
4,024,977 A 5/1977 Rowley
4,083,464 A 4/1978 Burnett
4,449,662 A 5/1984 Okamura et al.
4,453,471 A 6/1984 Harrington et al.
4,461,395 A 7/1984 Burnett
4,796,392 A 1/1989 Graham, Jr.
5,311,996 A 5/1994 Duffy et al.
5,535,909 A 7/1996 Philip

1 Claim, 5 Drawing Sheets



US D681,340 S

Page 2

U.S. PATENT DOCUMENTS

6,598,756	B1	7/2003	Rosenfeldt
D496,530	S	9/2004	Wolf
D501,720	S	2/2005	Hussaini et al.
D594,657	S	6/2009	McAlpine
7,552,826	B2	6/2009	Watanabe
D668,050	S	10/2012	Kvols et al.

D668,459	S	10/2012	Kvols et al.
2010/0170873	A1	7/2010	Lopez

FOREIGN PATENT DOCUMENTS

WO	WO 92/21574	12/1992
WO	WO 93/17930	9/1993
WO	WO 2003/106279	12/2003

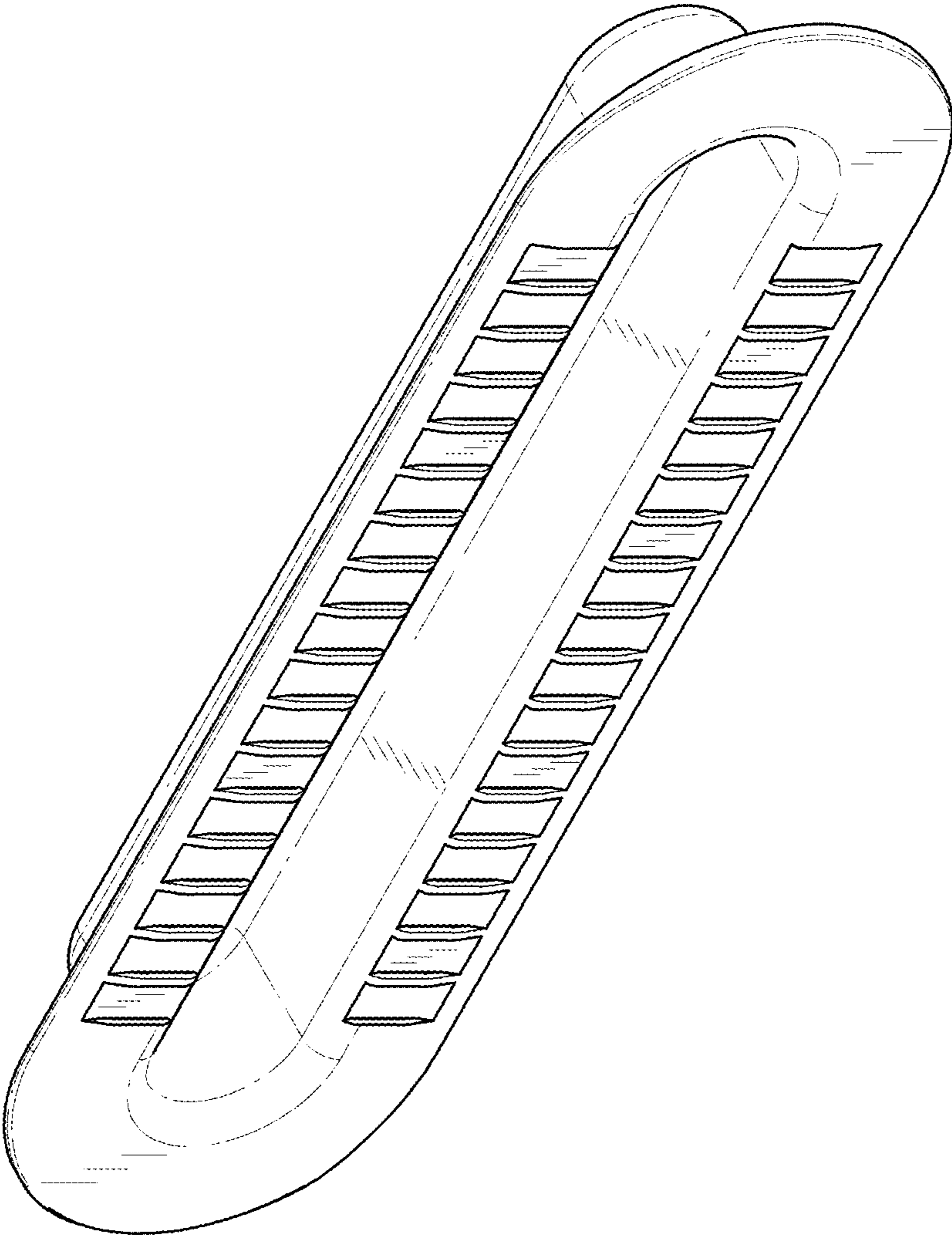


FIG. 1

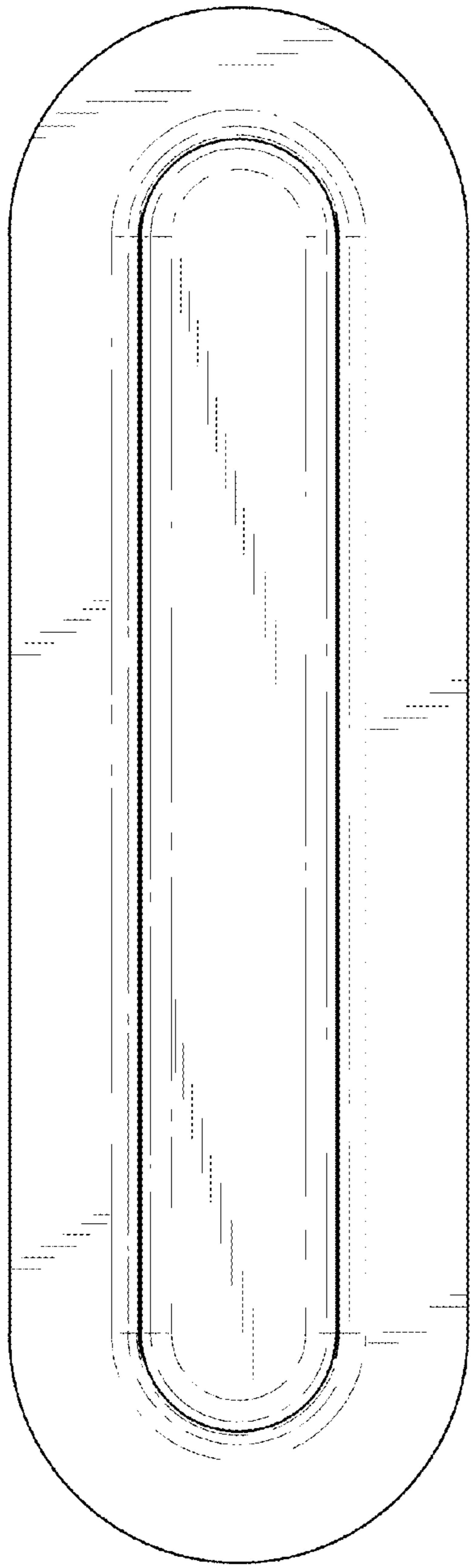


FIG. 2

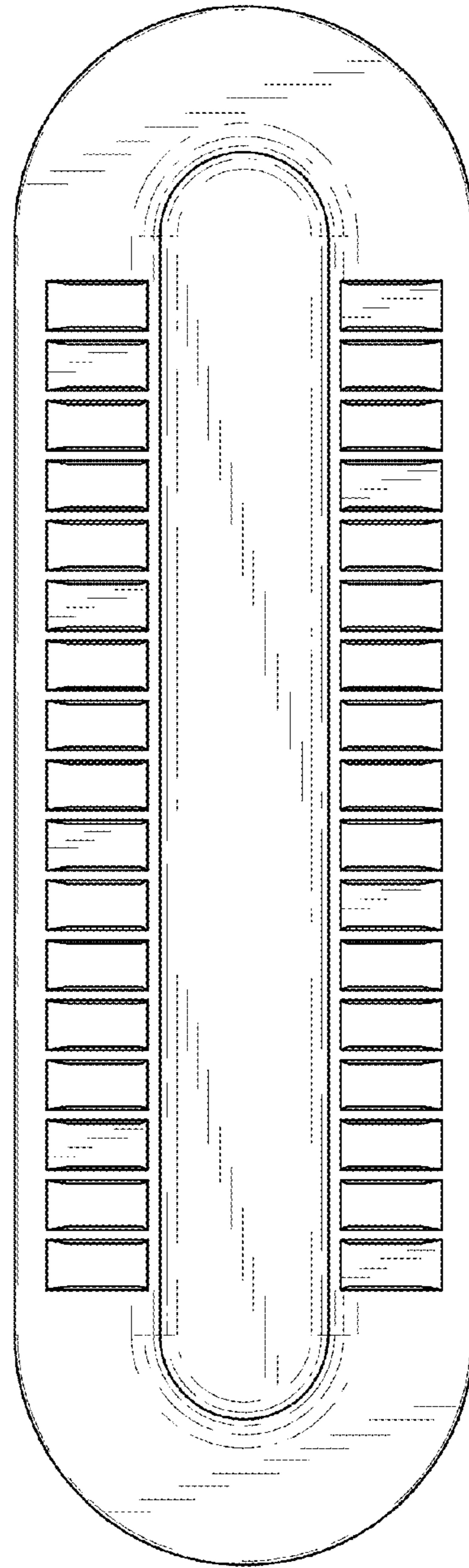


FIG. 3

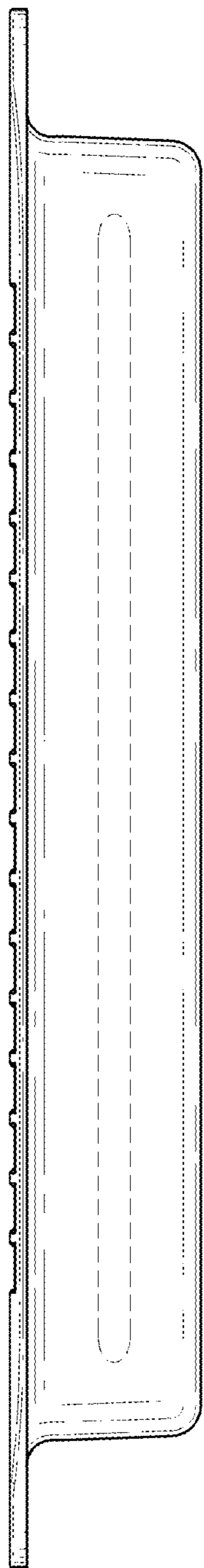


FIG. 4

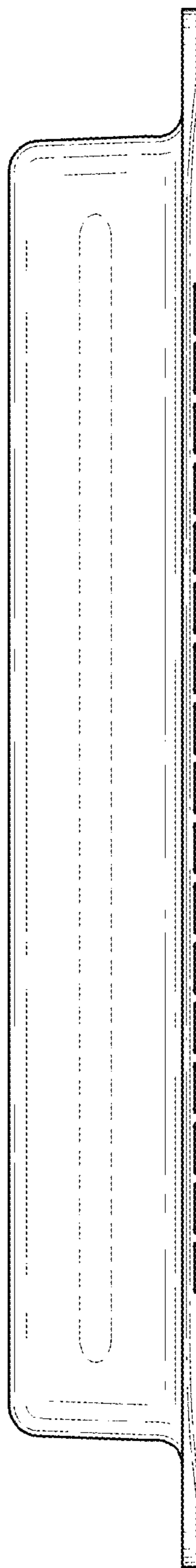


FIG. 5

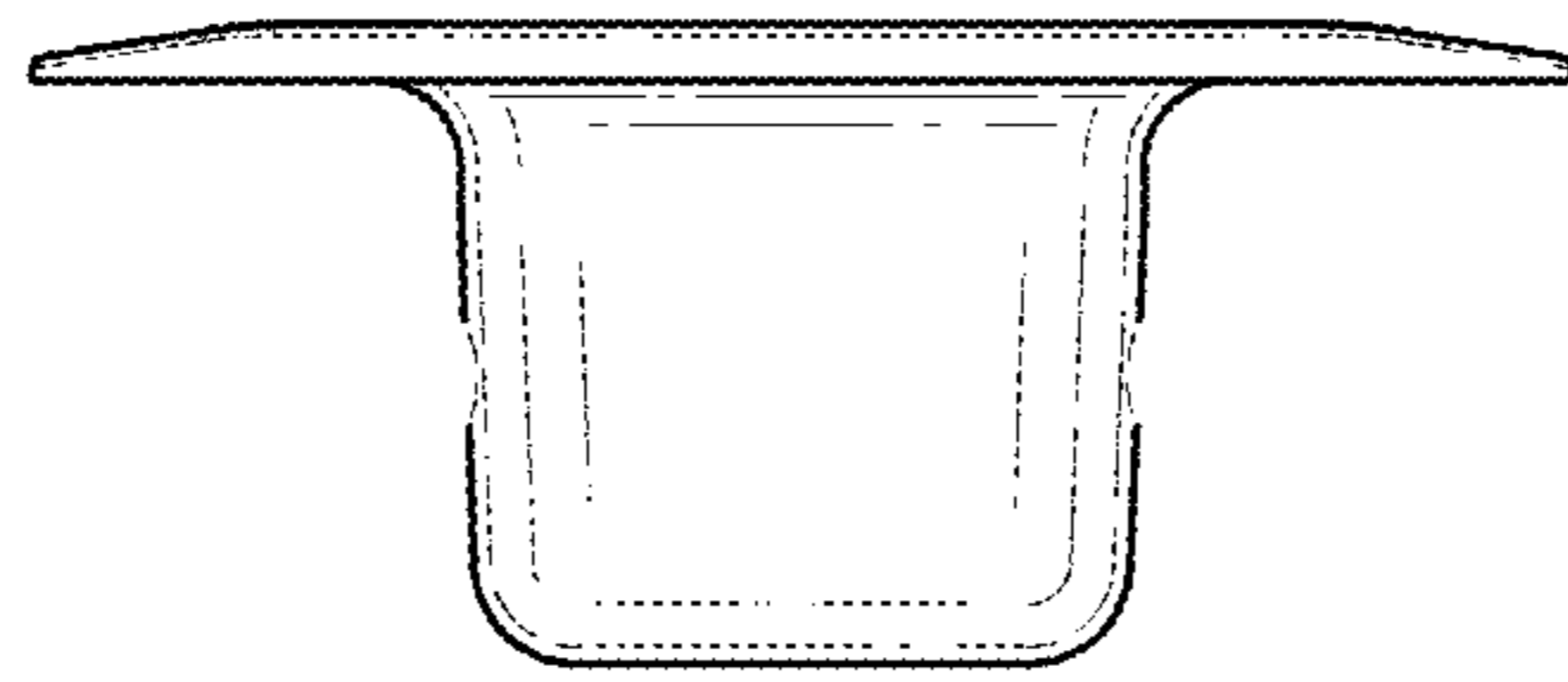


FIG. 7

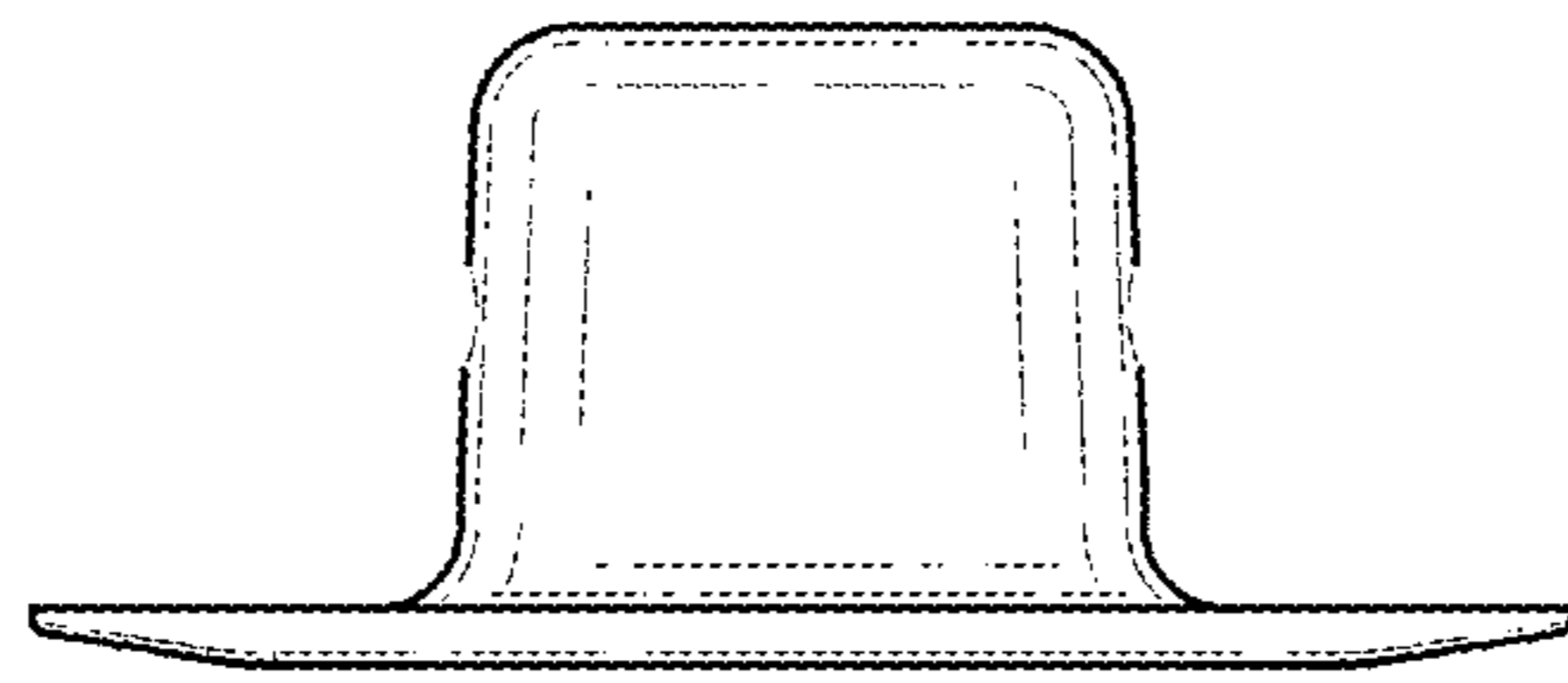


FIG. 6

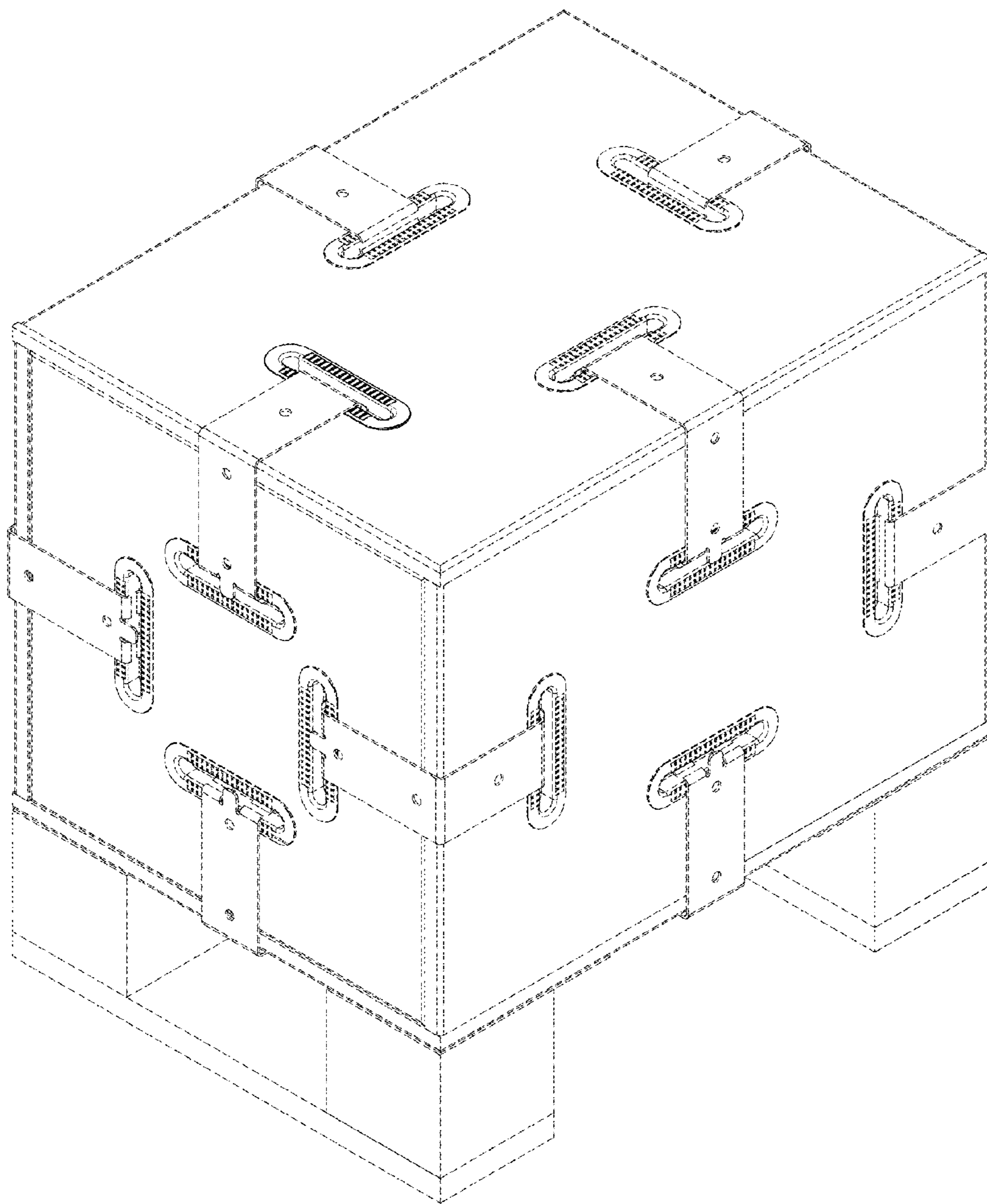


FIG. 8