



US00D681338S

(12) **United States Design Patent**
Holloway et al.

(10) **Patent No.:** **US D681,338 S**

(45) **Date of Patent:** **** May 7, 2013**

(54) **HANDBAG**

D624,312 S * 9/2010 Chu et al. D3/243
D646,054 S * 10/2011 Littleton D3/243
D648,123 S * 11/2011 Guyon et al. D3/243

(75) Inventors: **Simon Holloway**, London (GB); **Nicolas Baurain**, London (GB); **Lydia Hannon**, London (GB)

OTHER PUBLICATIONS

J. Choo Limited, Theola handbag, in article titled "Jimmy Choo Theola Embossed Leather/Elaphe Shoulder Bag" from WWW.PURSEBLOG.COM, by Shannon Mahoney, on Jan. 12, 2010.

(73) Assignee: **J. Choo Limited**, London (GB)

* cited by examiner

(**) Term: **14 Years**

Primary Examiner — Holly Baynham

(21) Appl. No.: **29/395,157**

(74) *Attorney, Agent, or Firm* — Fross Zelnick Lehrman & Zissu, P.C.; Lawrence E. Apolzon, Esq.

(22) Filed: **Dec. 7, 2011**

(30) **Foreign Application Priority Data**

(57) **CLAIM**

The ornamental design for a handbag, as shown and described.

Jun. 9, 2011 (EM) 001876061-0005

DESCRIPTION

(51) **LOC (9) Cl.** **03-01**

(52) **U.S. Cl.**
USPC **D3/318**

(58) **Field of Classification Search** D3/232–233,
D3/240–246, 318, 324; 150/100, 103–110,
150/113–114, 117–119

See application file for complete search history.

FIG. 1 is a front perspective view of an alternative embodiment of the handbag;
FIG. 2 is a front view of the handbag;
FIG. 3 is a rear view of the handbag;
FIG. 4 is a left side view of the handbag;
FIG. 5 is a right side view of the handbag;
FIG. 6 is a top view of the handbag; and,
FIG. 7 is a bottom view of the handbag.

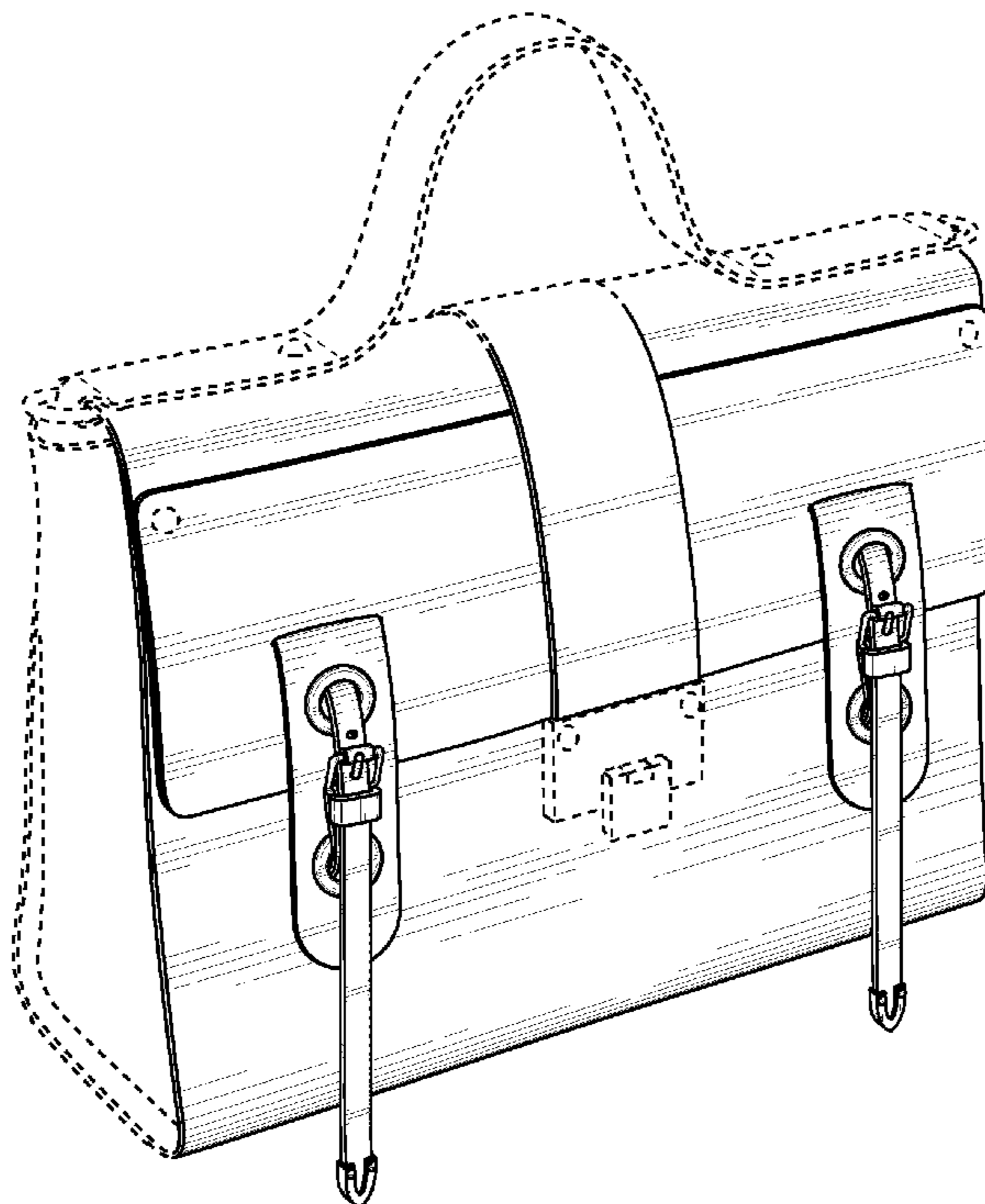
(56) **References Cited**

U.S. PATENT DOCUMENTS

D82,349 S 2/1930 Schell
1,958,003 A * 5/1934 Heyman 190/102
D534,349 S * 1/2007 Cardoso D3/243
D539,534 S * 4/2007 Delafontaine D3/243
D539,536 S * 4/2007 Guyon D3/243
D578,305 S 10/2008 Gonzalez

The broken line showing of the handle, portions of the hanging straps, buckle holes, rivets, metal closure flap, zipper, zipper pull, and portions of the body of the bag are included for the purpose of illustrating environmental structure and forms no part of the claimed design.

1 Claim, 5 Drawing Sheets



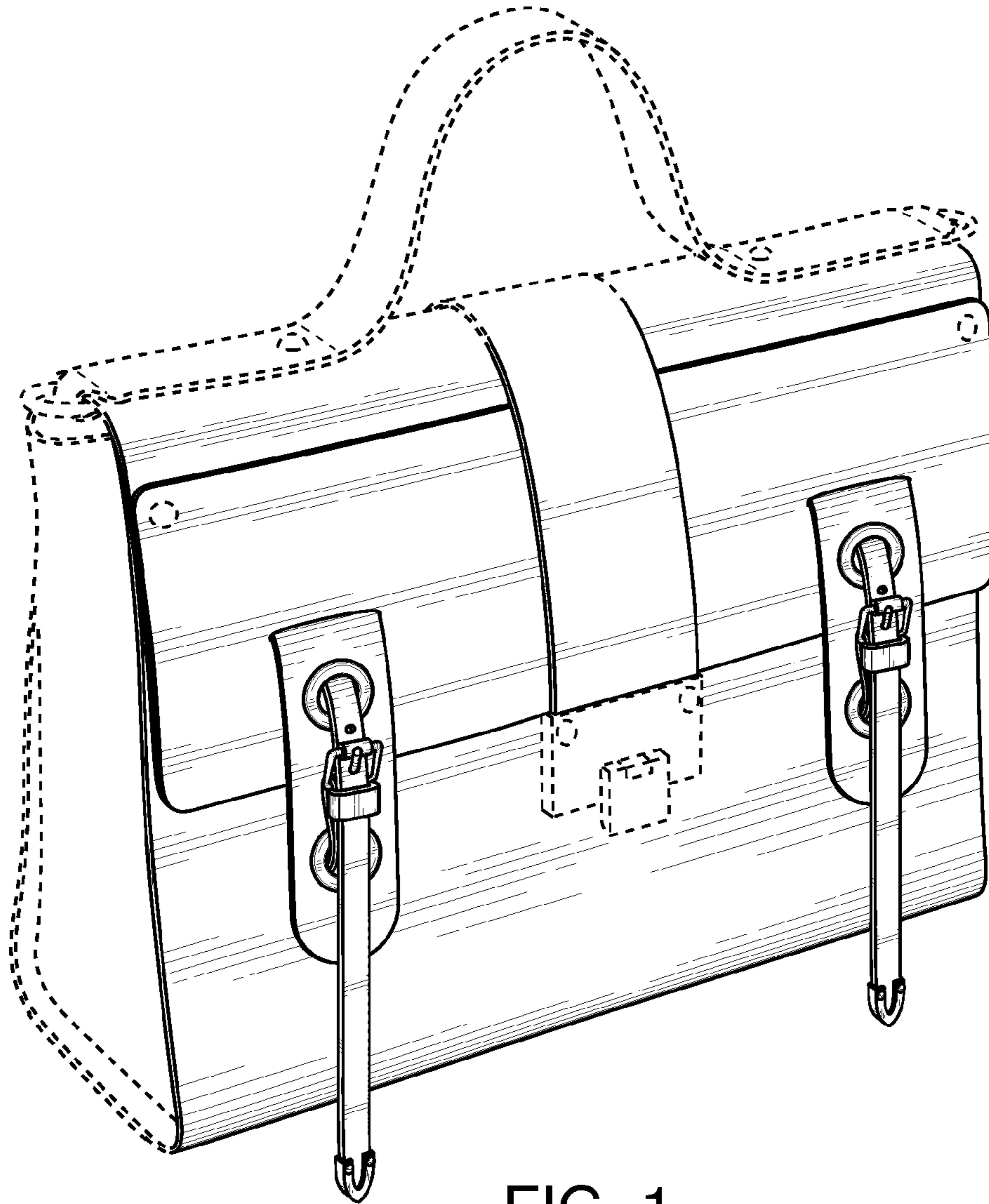


FIG. 1

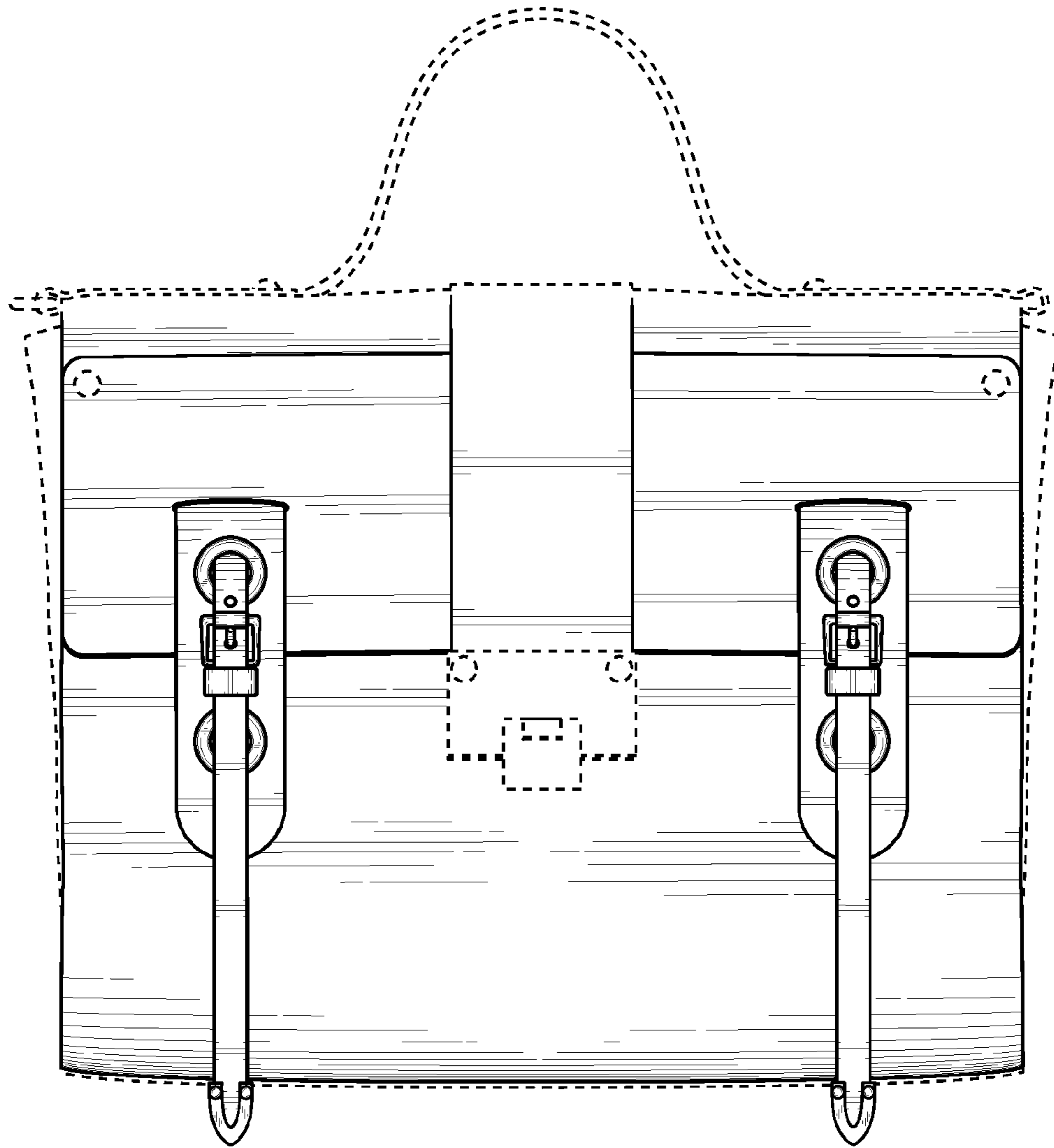


FIG. 2

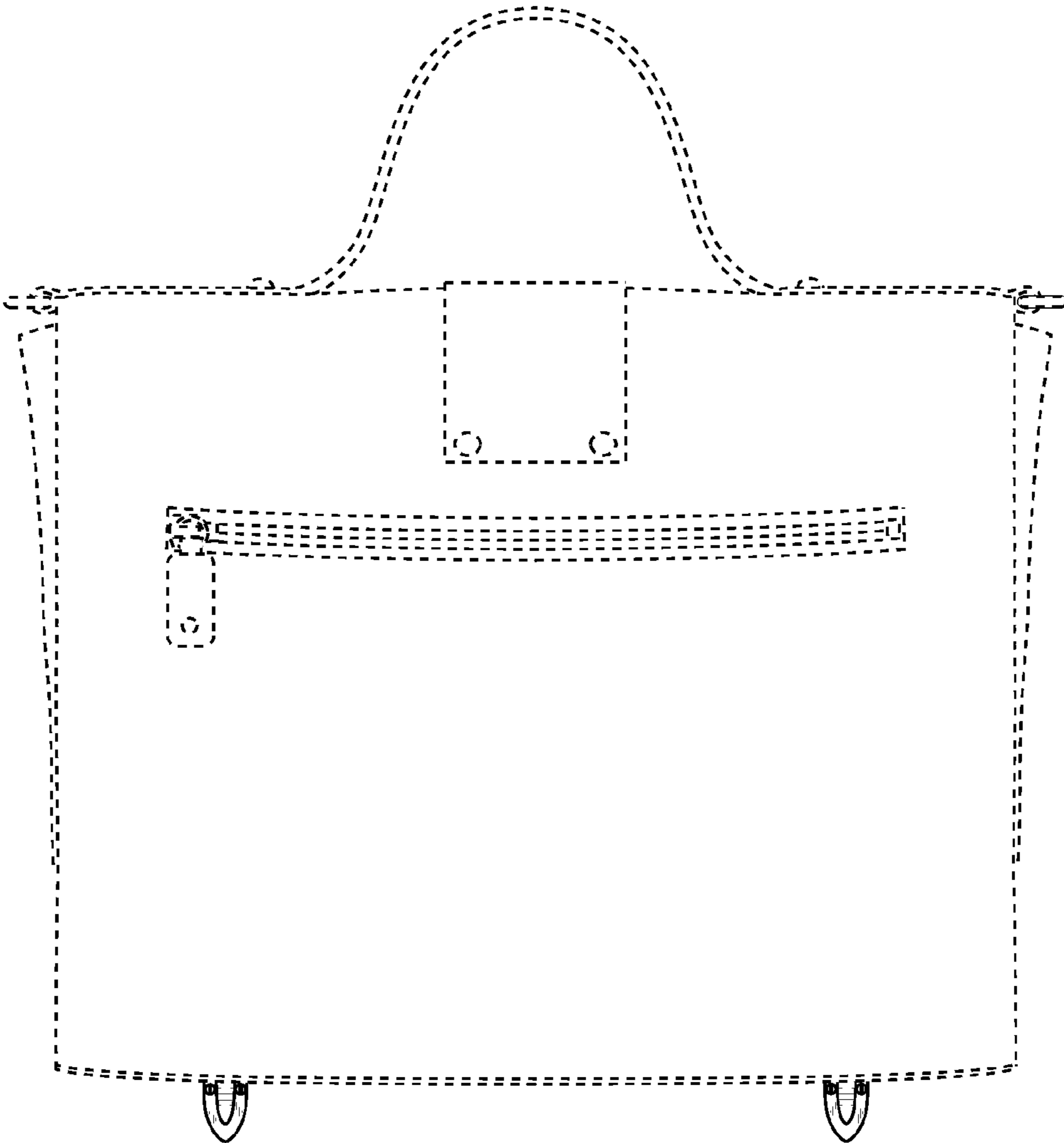


FIG. 3

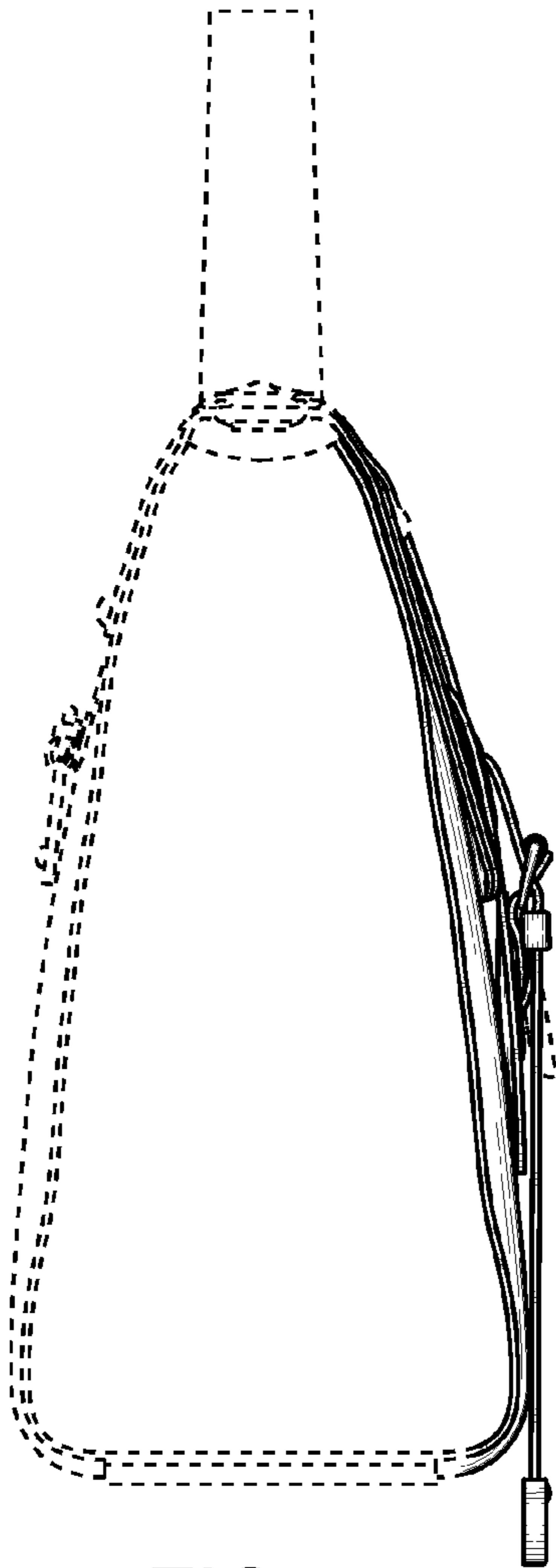


FIG. 4

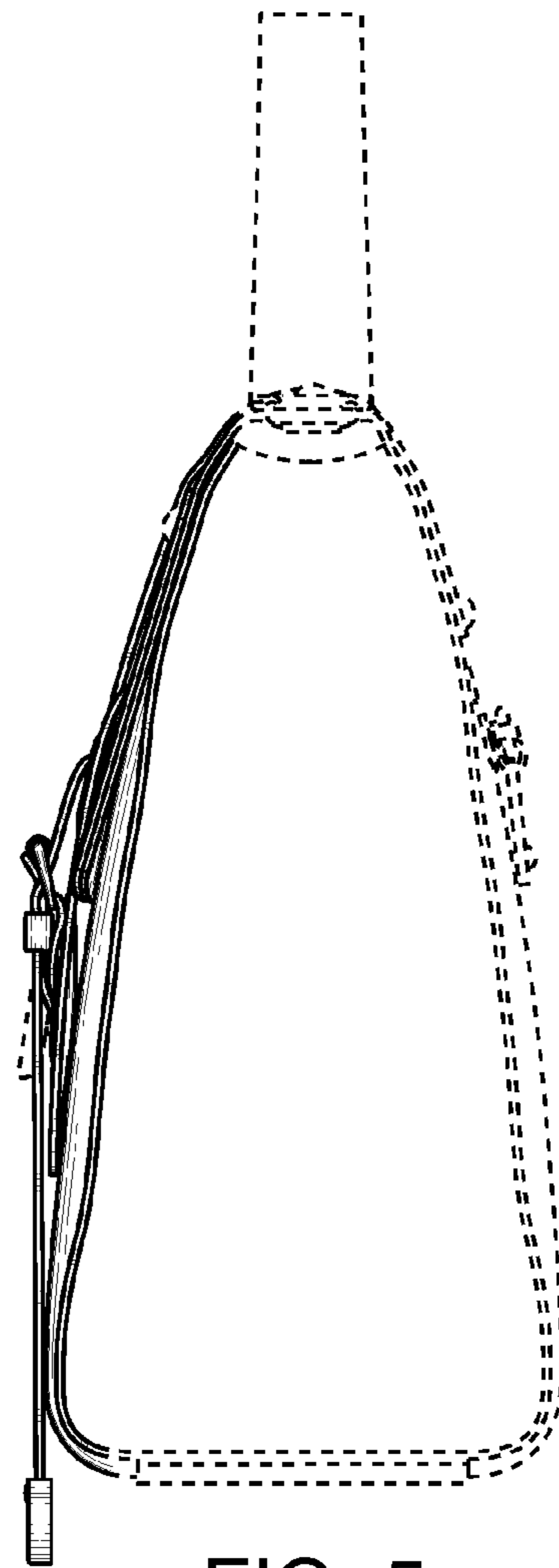


FIG. 5

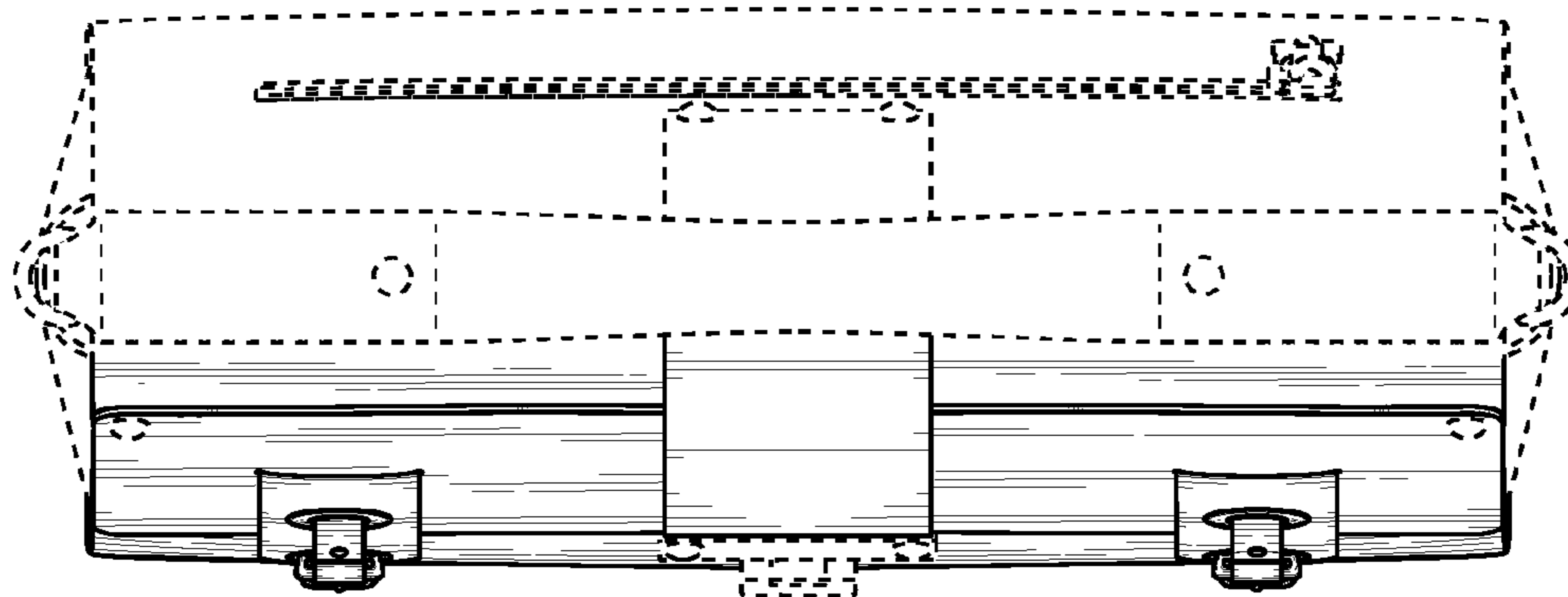


FIG. 6

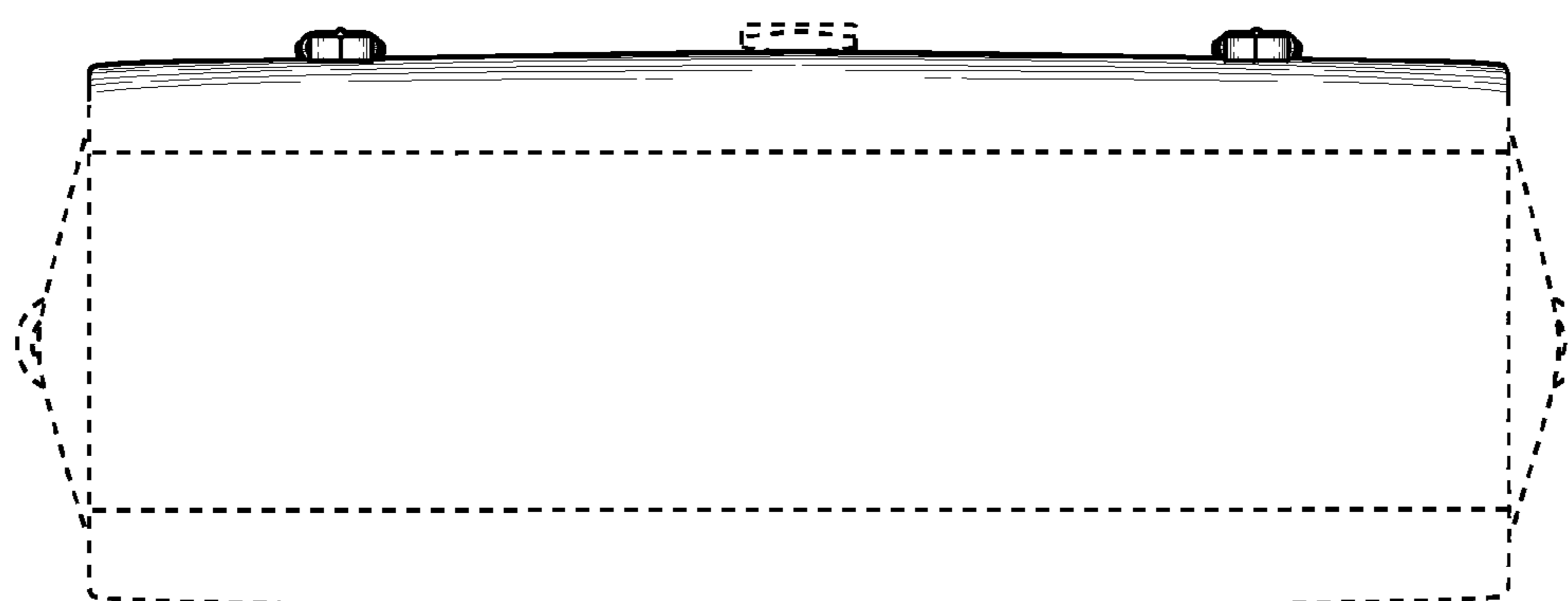


FIG. 7