



US00D681335S

(12) **United States Design Patent**  
**Sabounjian**

(10) **Patent No.:** **US D681,335 S**

(45) **Date of Patent:** **\*\* May 7, 2013**

(54) **CAROUSEL ORGANIZER WITH DOUBLE POCKETS**

3,105,617 A 10/1963 Felldin  
3,331,513 A 7/1967 Cappelli  
3,669,276 A 6/1972 Woods ..... 211/34  
3,904,258 A 9/1975 Faulkenberry ..... 312/6

(75) Inventor: **Sarine Sabounjian**, Irvine, CA (US)

(Continued)

(73) Assignee: **Pro-Mart Industries, Inc.**, Irvine, CA (US)

**OTHER PUBLICATIONS**

U.S. Appl. No. 29/389,048, filed Apr. 6, 2011 for Square Carousel Organizer With Double Pockets, listed inventor is Sarine Sabounjian, assigned to Pro-Mart Industries.

(\*\*) Term: **14 Years**

*Primary Examiner* — Kelley Donnelly

(21) Appl. No.: **29/401,531**

(74) *Attorney, Agent, or Firm* — Stetina Brunda Garred & Brucker; Lowell Anderson

(22) Filed: **Sep. 12, 2011**

(51) **LOC (9) Cl.** ..... **03-01**

(52) **U.S. Cl.**  
USPC ..... **D3/313**

(58) **Field of Classification Search** ..... D3/303,  
D3/305, 308, 310, 313, 316–318; D6/513–515,  
D6/567, 553; 206/278, 9, 286, 289; 211/10,  
211/13.1, 113

(57) **CLAIM**

The ornamental design for a carousel organizer with double pockets, as shown and described.

See application file for complete search history.

**DESCRIPTION**

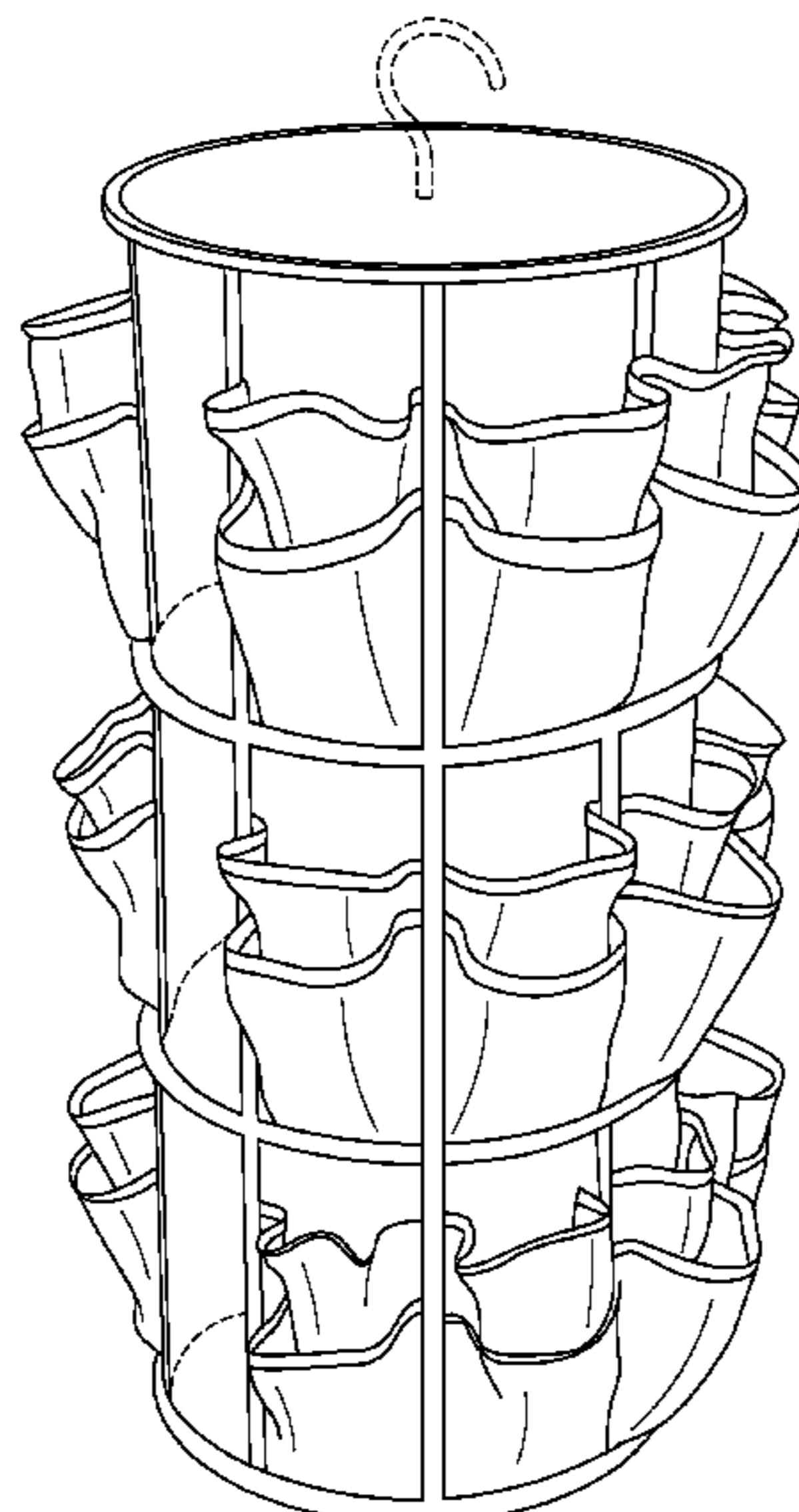
(56) **References Cited**

**U.S. PATENT DOCUMENTS**

1,115,706 A	11/1914	Manuel	.....	217/44
1,206,618 A	11/1916	Thrasher et al.		
1,216,250 A	2/1917	Bittle	.....	312/6
1,375,883 A	4/1921	Woolson	.....	312/6
1,583,083 A	5/1926	Macaraig		
1,640,083 A	8/1927	Ladd	.....	211/186
1,678,415 A	7/1928	Ahles	.....	312/6
1,691,904 A	11/1928	Gamble		
1,730,898 A	10/1929	Percival	.....	383/38
1,847,066 A	3/1932	Berg	.....	312/6
1,902,313 A	3/1933	Struble	.....	206/8
2,016,520 A	10/1935	Short		
2,142,851 A	1/1939	Jolly		
2,517,757 A	8/1950	Adlerstein	.....	312/3
2,533,333 A	12/1950	Kitson	.....	190/111
2,584,722 A	2/1952	London	.....	206/287
2,845,185 A	7/1958	Winderweedle, Jr.	.....	108/164
2,874,813 A	2/1959	Bunte	.....	190/109
3,039,599 A	6/1962	Mintz	.....	206/287

FIG. 1 is an upper, right side perspective view of a carousel organizer having three levels and double pockets;  
FIG. 2 is an upper, left side perspective view of the carousel organizer of FIG. 1;  
FIG. 3 is a front plan view of the carousel organizer of FIG. 1, with the broken line representing a seam that is not a part of the claimed design;  
FIG. 4 is a back plan view of the carousel organizer of FIG. 1;  
FIG. 5 is a bottom plan/perspective view of the carousel organizer of FIG. 1;  
FIG. 6 is an upper, right side perspective view of a second embodiment of the carousel organizer with double pockets thereof;  
FIG. 7 is an upper left side perspective view thereof;  
FIG. 8 is a front plan view thereof;  
FIG. 9 is a back plan view thereof; and,  
FIG. 10 is a bottom perspective view thereof.  
The broken lines in FIGS. 3 and 8 represent seams and form no part of the claimed design.

**1 Claim, 10 Drawing Sheets**

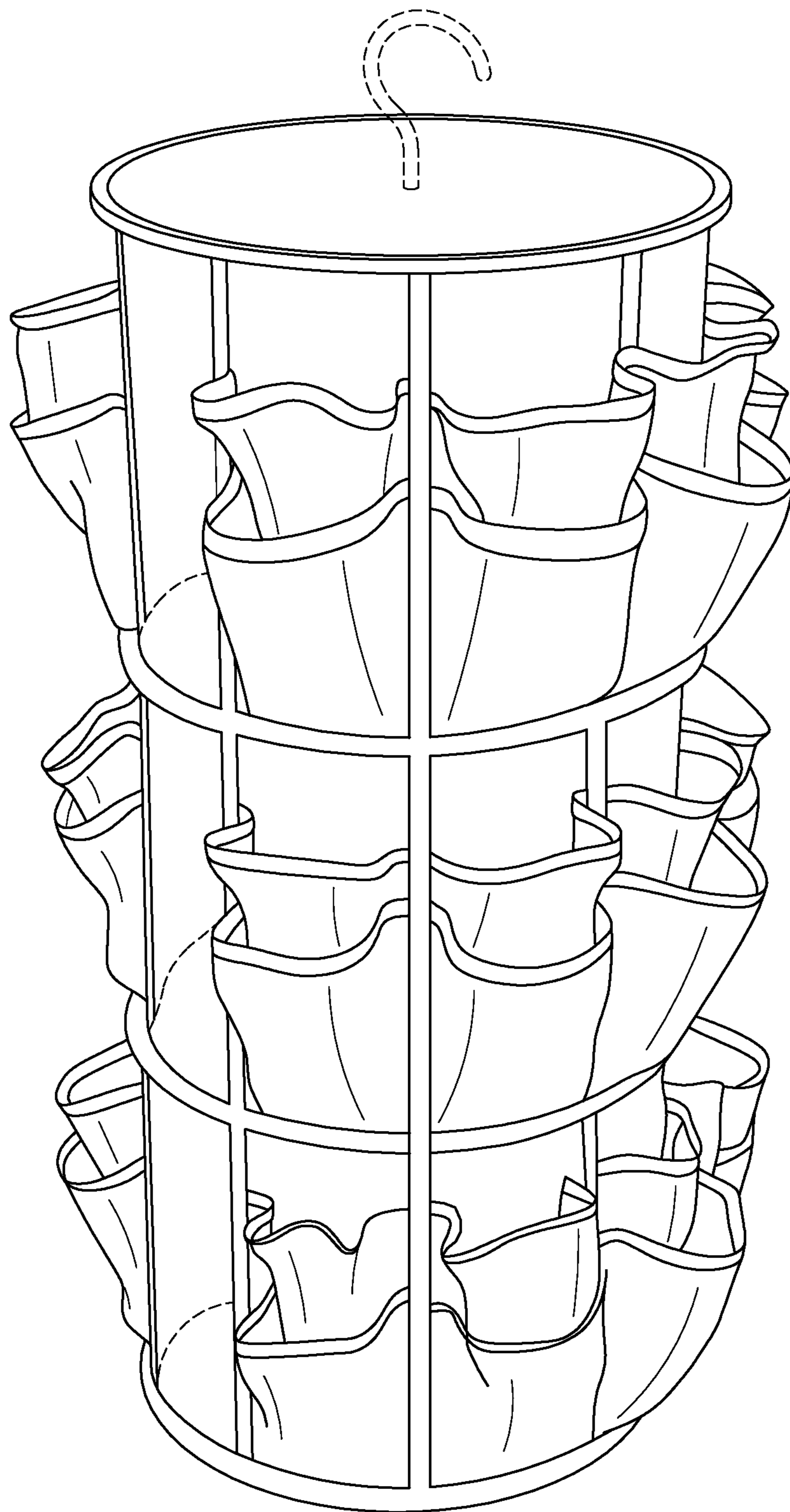


# US D681,335 S

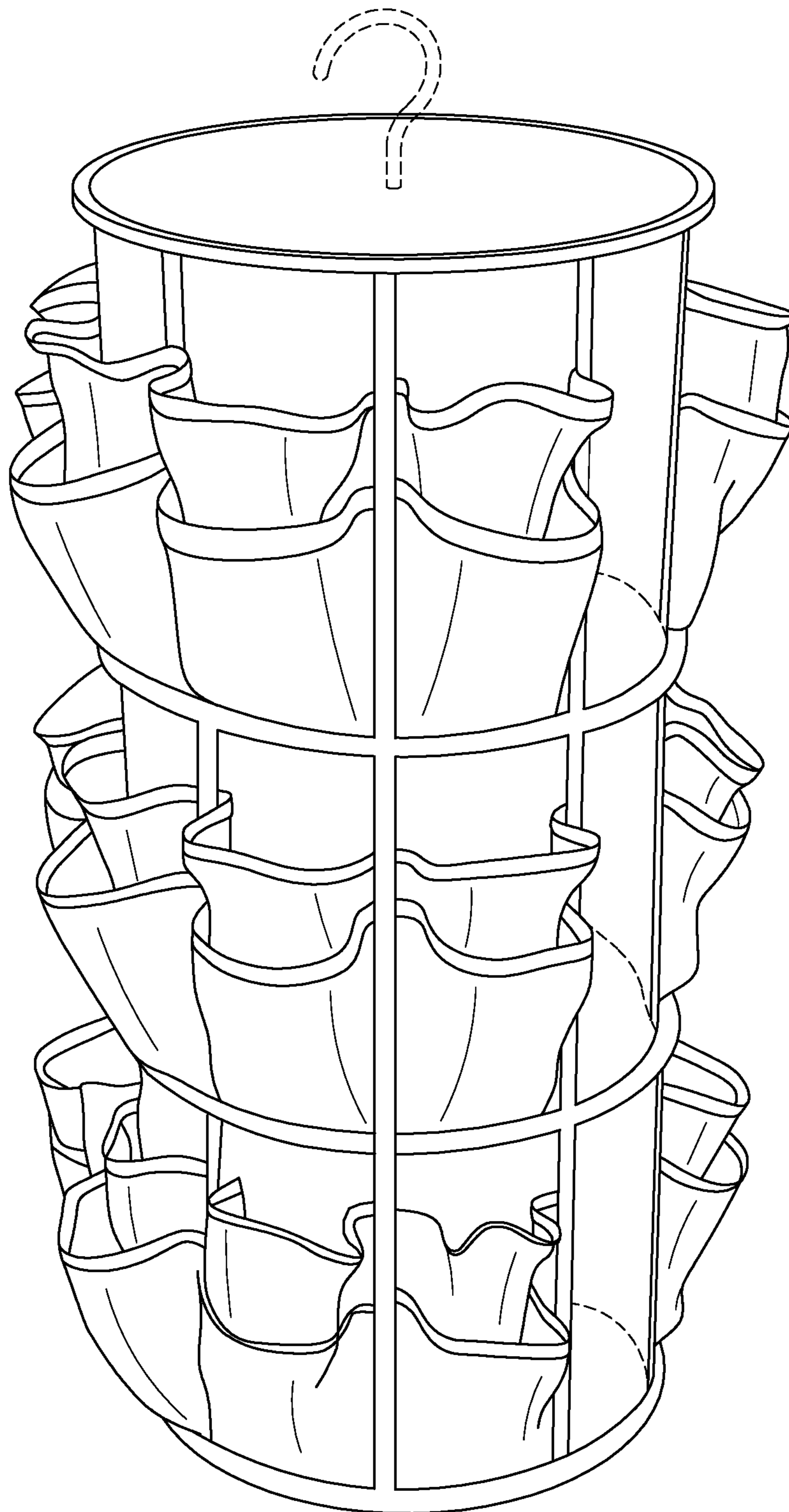
Page 2

U.S. PATENT DOCUMENTS							
3,929,145	A	12/1975	Schroeder	6,668,847	B2	12/2003	Zheng
4,377,314	A	3/1983	Gevers ..... 312/297	6,719,157	B2	4/2004	Stoddart et al. .... 211/118
4,382,640	A	5/1983	Kashden ..... 312/5	7,063,397	B2	6/2006	Sabounjian
5,176,315	A	1/1993	Homel	D547,579	S *	7/2007	Greiner ..... D6/514
5,358,440	A	10/1994	Zheng	D547,989	S *	8/2007	Nelson ..... D6/553
5,439,017	A	8/1995	Brown	D551,472	S *	9/2007	Greiner ..... D6/514
5,560,385	A	10/1996	Zheng	D551,473	S *	9/2007	Greiner ..... D6/514
5,664,596	A	9/1997	Zheng	D557,538	S	12/2007	Kessler
5,713,646	A	2/1998	Wang ..... 312/3	D566,986	S	4/2008	Greiner
5,800,067	A	9/1998	Easter	D569,666	S *	5/2008	Gusdorf ..... D6/514
5,941,265	A	8/1999	Zheng	D595,918	S *	7/2009	Walter ..... D34/27
6,092,544	A	7/2000	Zheng	D606,334	S *	12/2009	Clark et al. .... D6/467
D429,091	S *	8/2000	Chen ..... D6/461	7,681,728	B2	3/2010	Sabounjian
6,098,349	A	8/2000	Zheng	D641,165	S	7/2011	Sabounjian
6,155,281	A	12/2000	Zheng	D644,026	S *	8/2011	Sabounjian ..... D3/313
6,315,143	B1	11/2001	Dotts	D644,027	S *	8/2011	Sabounjian ..... D3/313
6,360,761	B1	3/2002	Zheng	D646,060	S *	10/2011	Sabounjian ..... D3/313
6,390,573	B1	5/2002	Wang ..... 312/6	D651,830	S *	1/2012	Sabounjian ..... D6/514
D461,638	S	8/2002	Kellogg et al.	2003/0230502	A1	12/2003	Siegel
6,494,224	B2	12/2002	Zheng	2005/0140253	A1	6/2005	Fu ..... 312/6

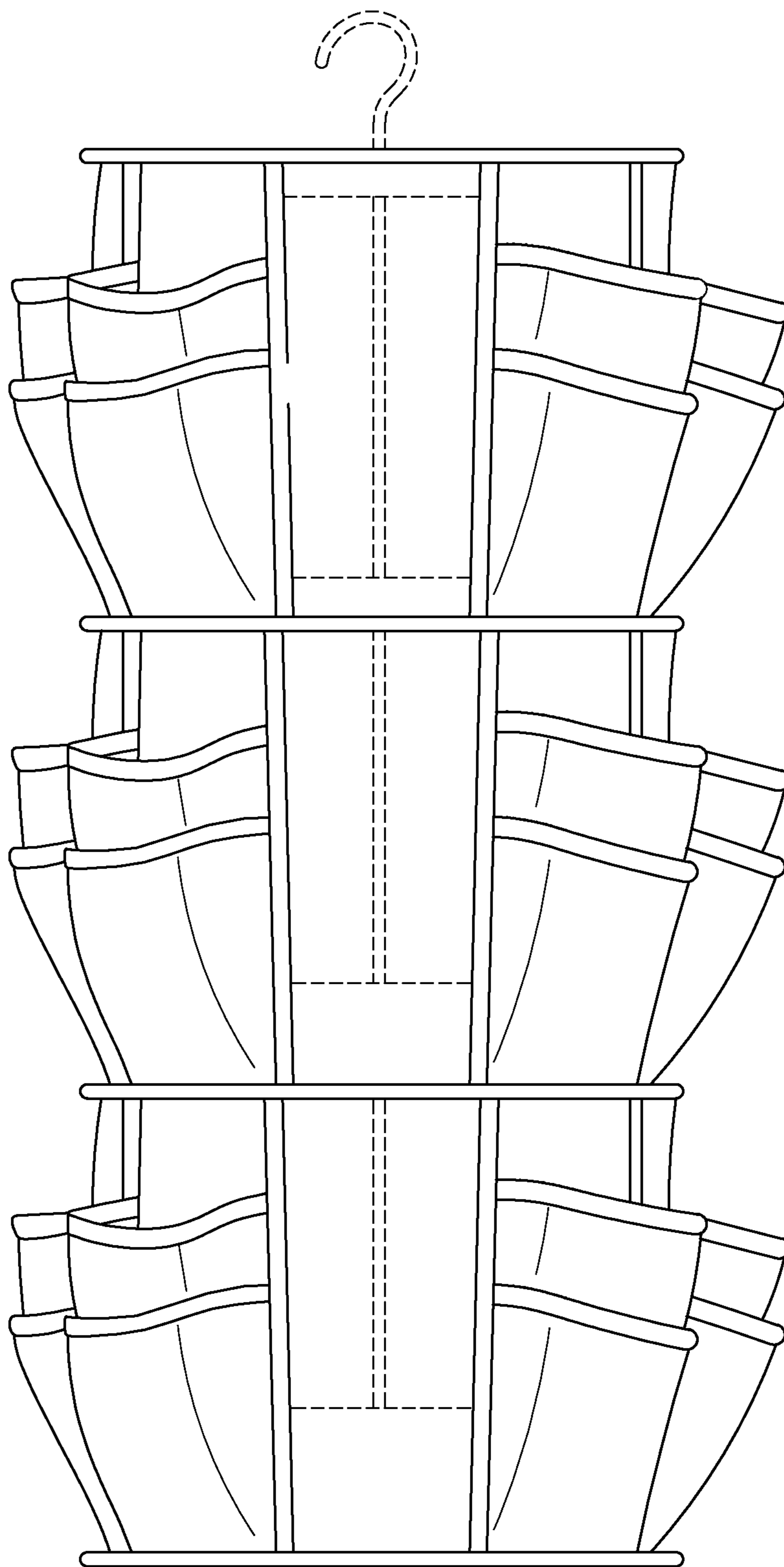
\* cited by examiner



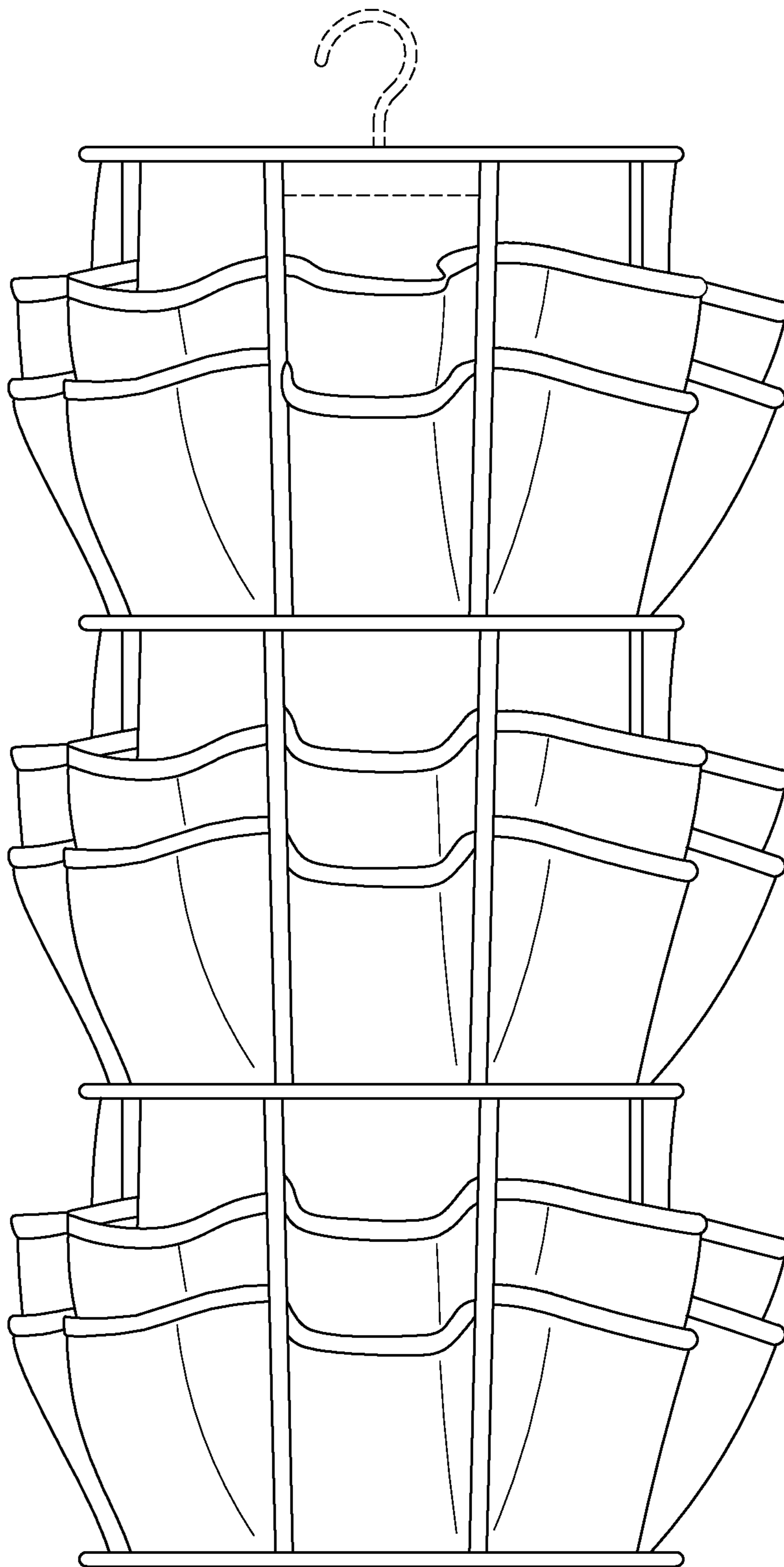
*Fig. 1*



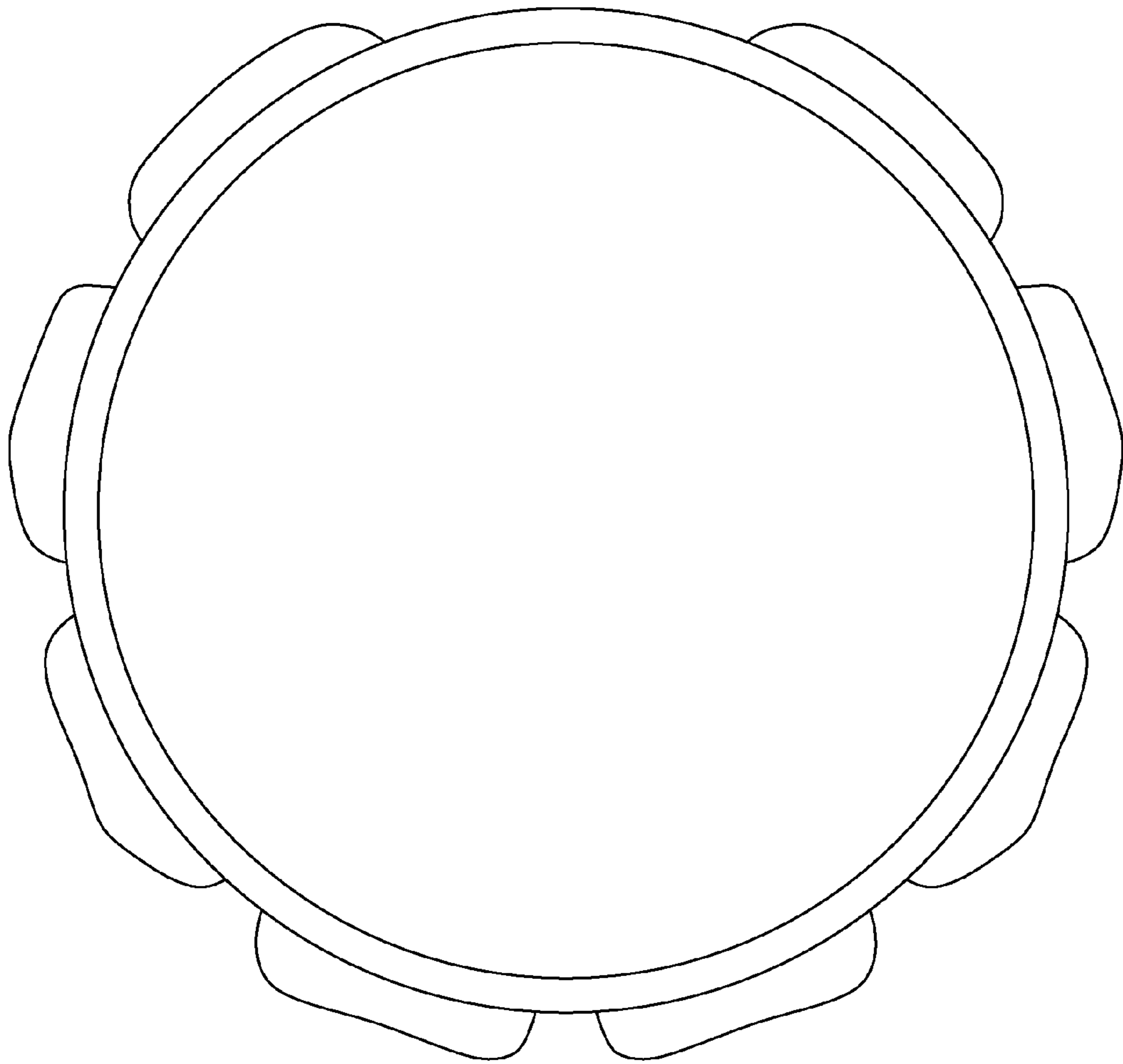
*Fig. 2*



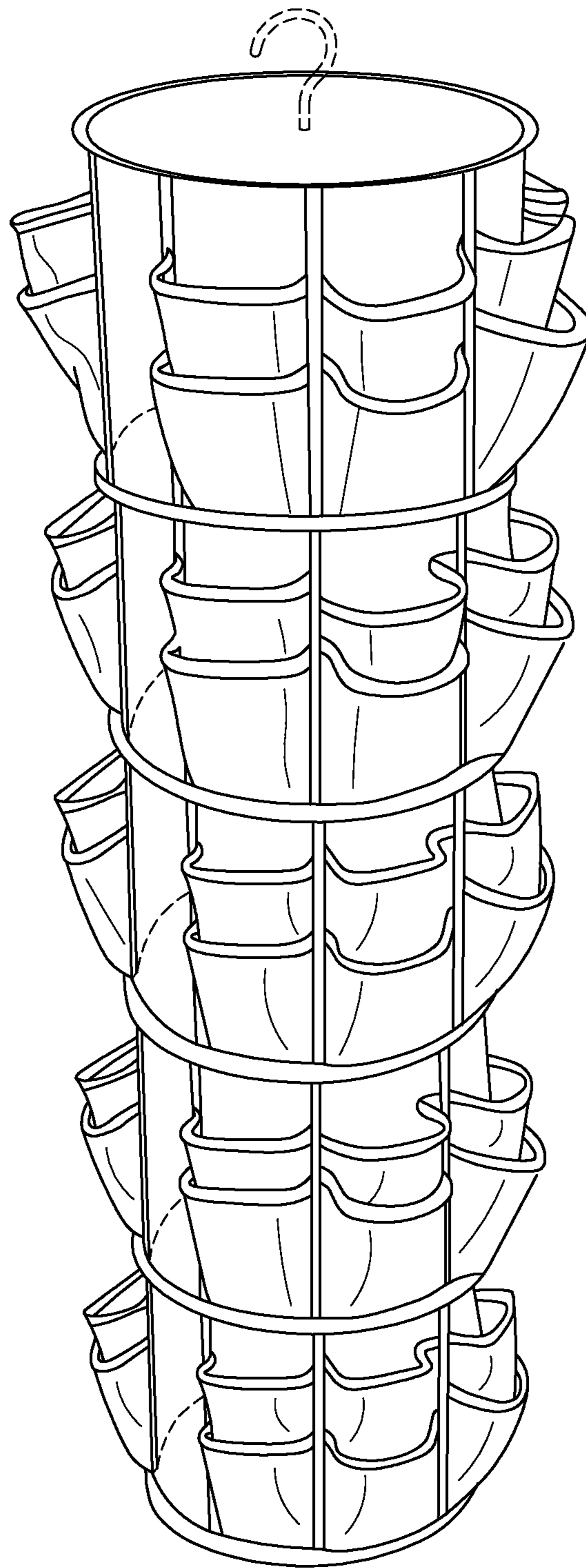
*Fig. 3*



*Fig. 4*

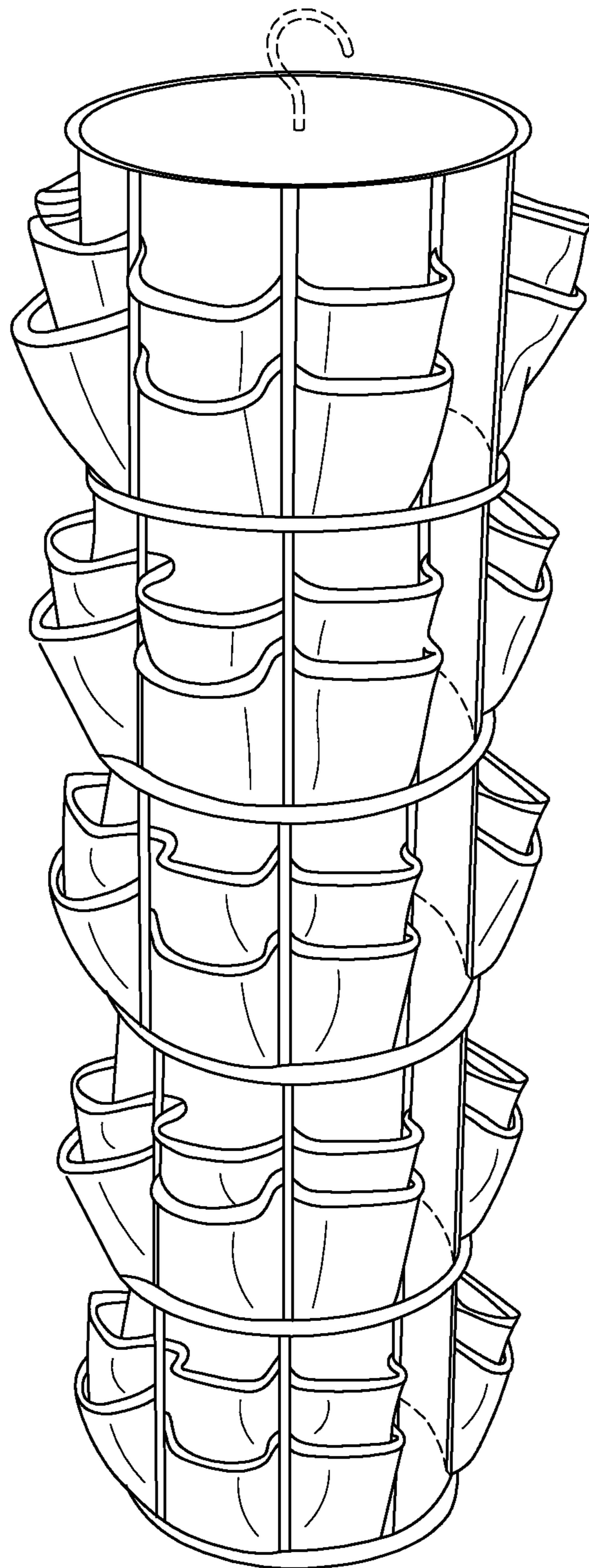


*Fig. 5*

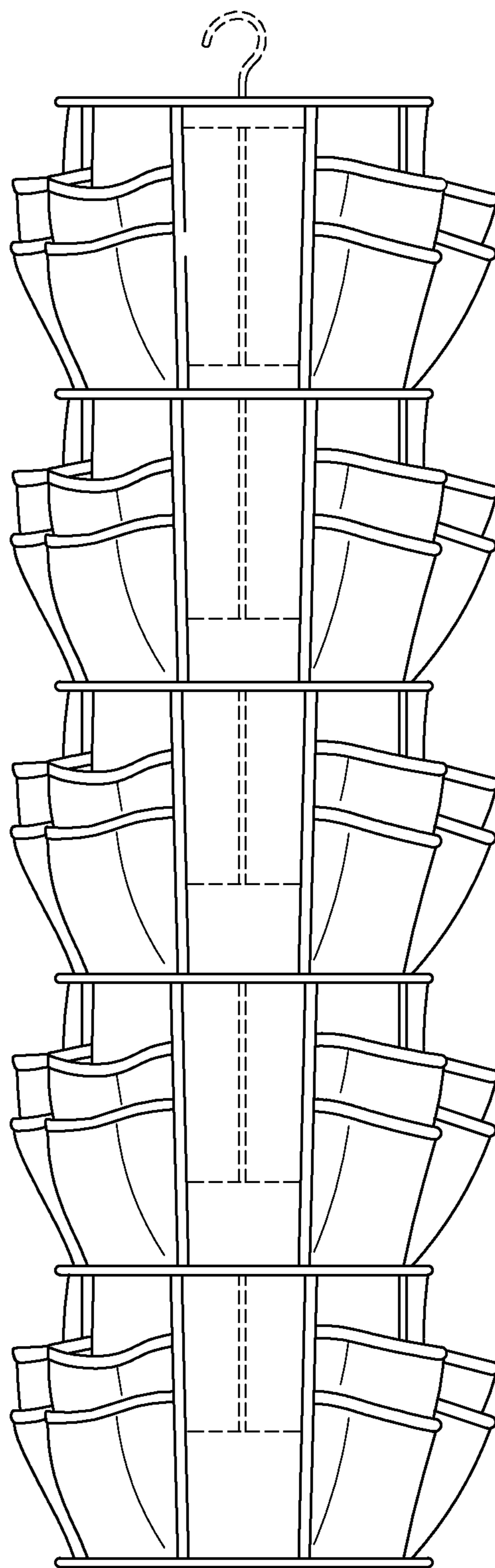


*Fig. 6*

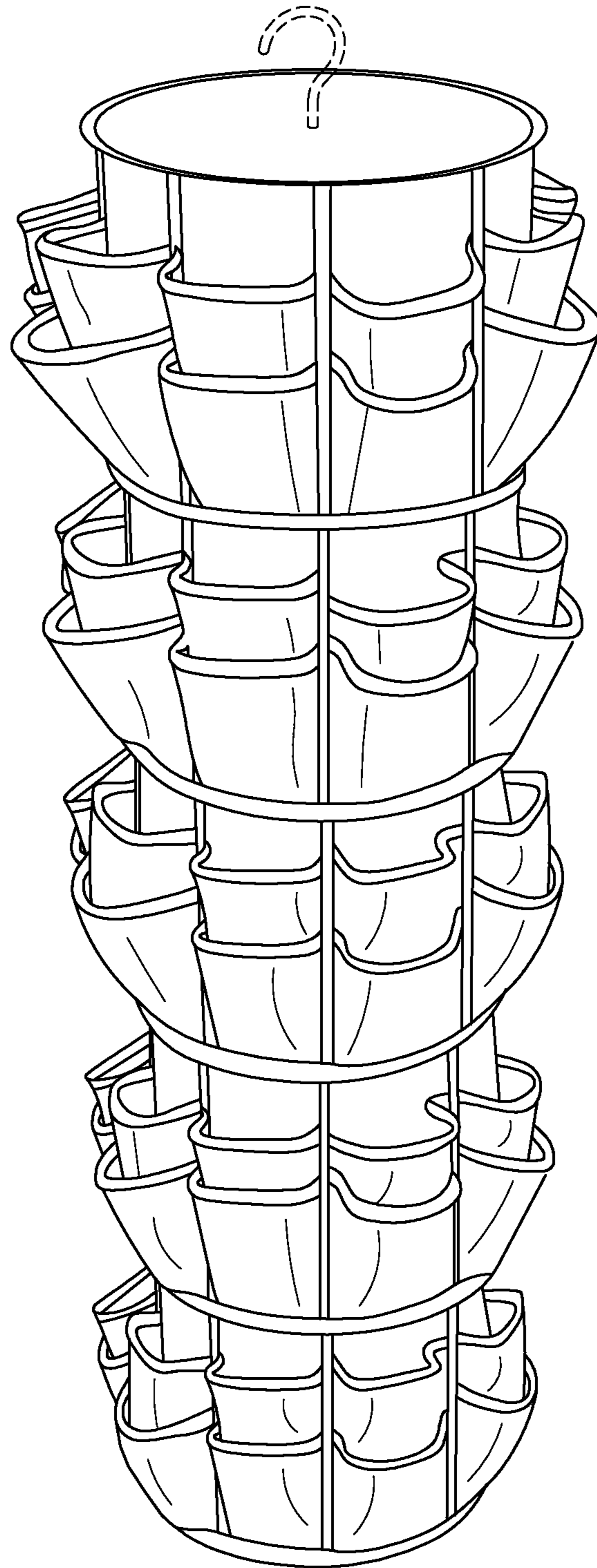




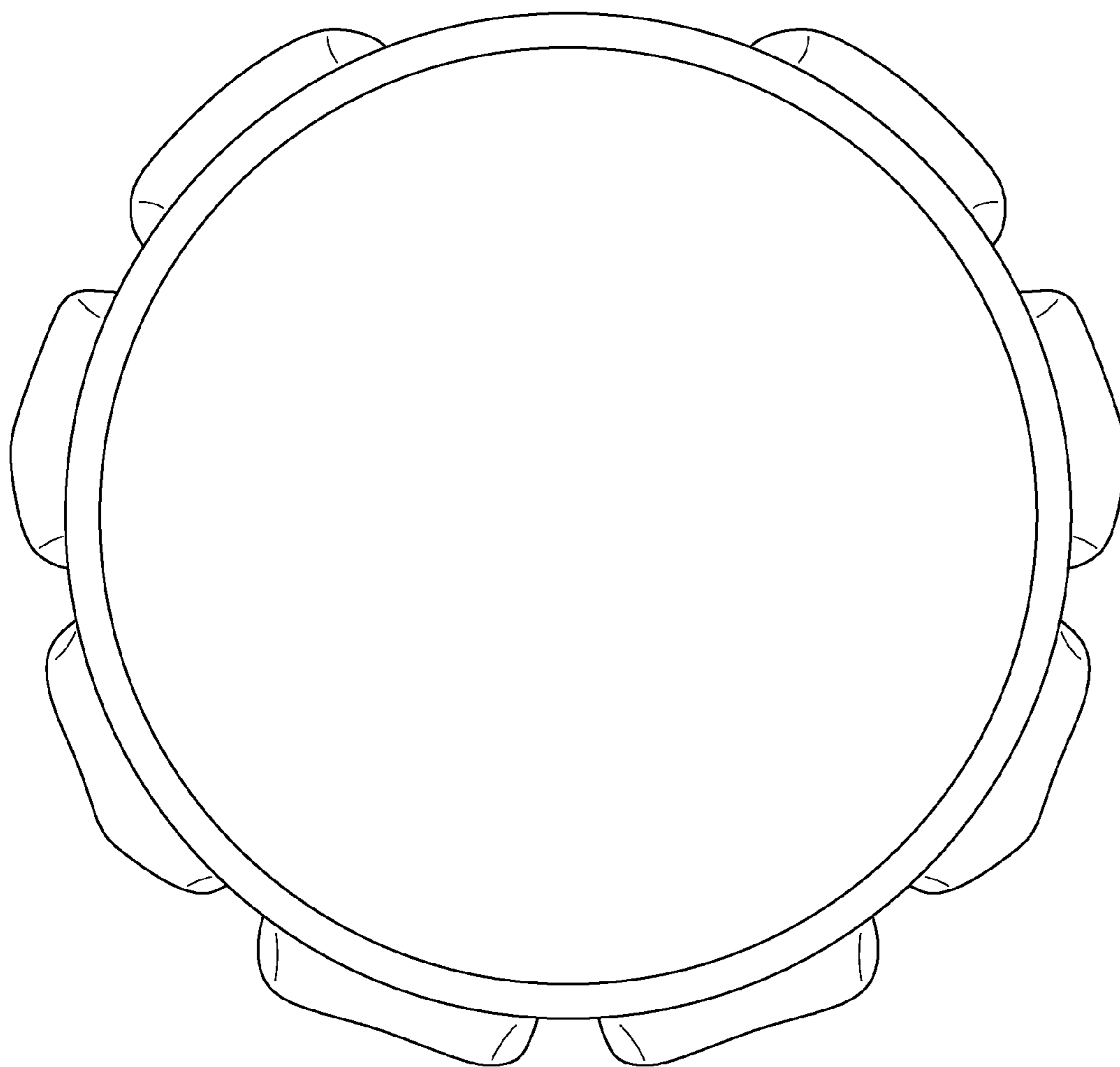
*Fig. 7*



*Fig. 8*



*Fig. 9*



*Fig. 10*