



US00D681333S

(12) **United States Design Patent**
Crapser et al.

(10) **Patent No.:** **US D681,333 S**

(45) **Date of Patent:** **** May 7, 2013**

(54) **CONTAINER**

(75) Inventors: **James R. Crapser**, Racine, WI (US);
Kristina J. Genslak, Racine, WI (US)

(73) Assignee: **S.C. Johnson & Son, Inc.**, Racine, WI (US)

(**) Term: **14 Years**

(21) Appl. No.: **29/376,121**

(22) Filed: **Oct. 1, 2010**

(51) **LOC (9) Cl.** **03-01**

(52) **U.S. Cl.**
USPC **D3/304**

(58) **Field of Classification Search** D3/203.1,
D3/203.3, 205–206, 273, 276, 304–305, 475–476,
D3/525; D19/75, 77, 86, 90, 92, 100; 206/203,
206/214–215, 822, 307.1; 229/100, 406,
229/913–914

See application file for complete search history.

(56) **References Cited**

U.S. PATENT DOCUMENTS

D285,414 S *	9/1986	Goetz et al.	D9/420
4,907,904 A	3/1990	Baldwin	
D309,431 S *	7/1990	Sheehan	D9/424
D365,105 S *	12/1995	Aubuchon et al.	D14/240
5,790,129 A	8/1998	Porto	
6,199,559 B1 *	3/2001	Nikolaus et al.	132/294
D478,689 S *	8/2003	Thorpe	D28/83
D479,016 S *	8/2003	Sgariboldi	D28/78
D497,074 S *	10/2004	Dardashti	D6/632
D501,033 S *	1/2005	Jour	D19/78
D504,017 S *	4/2005	Zimmerman	D3/309
6,918,769 B2	7/2005	Rink	
D514,308 S *	2/2006	Wahl et al.	D3/203.2
7,159,178 B2	1/2007	Vogt et al.	
D547,064 S *	7/2007	Snell	D3/304
D567,032 S *	4/2008	Gilbert	D7/629

D618,614 S *	6/2010	Symons	D13/108
D637,601 S *	5/2011	Symons	D14/447
D639,155 S *	6/2011	Fine et al.	D9/426
D640,433 S *	6/2011	Pargansky	D32/55
D647,569 S *	10/2011	Yuan	D19/92
D650,912 S *	12/2011	Tomes et al.	D24/227
D652,587 S *	1/2012	Matsuo et al.	D30/161
2003/0059750 A1	3/2003	Bindler et al.	
2004/0017074 A1	1/2004	McMorrow	
2005/0008996 A1	1/2005	Avivi-Meirson	
2007/0048707 A1	3/2007	Caamano et al.	
2007/0226628 A1	9/2007	Schlack	

(Continued)

OTHER PUBLICATIONS

Wildmind Buddhist Meditation, "Keeping a Meditation Journal", internet address: <http://www.wildmind.org>, background/journal, Sep. 24, 2010, 2 pgs.

(Continued)

Primary Examiner — Kelley Donnelly

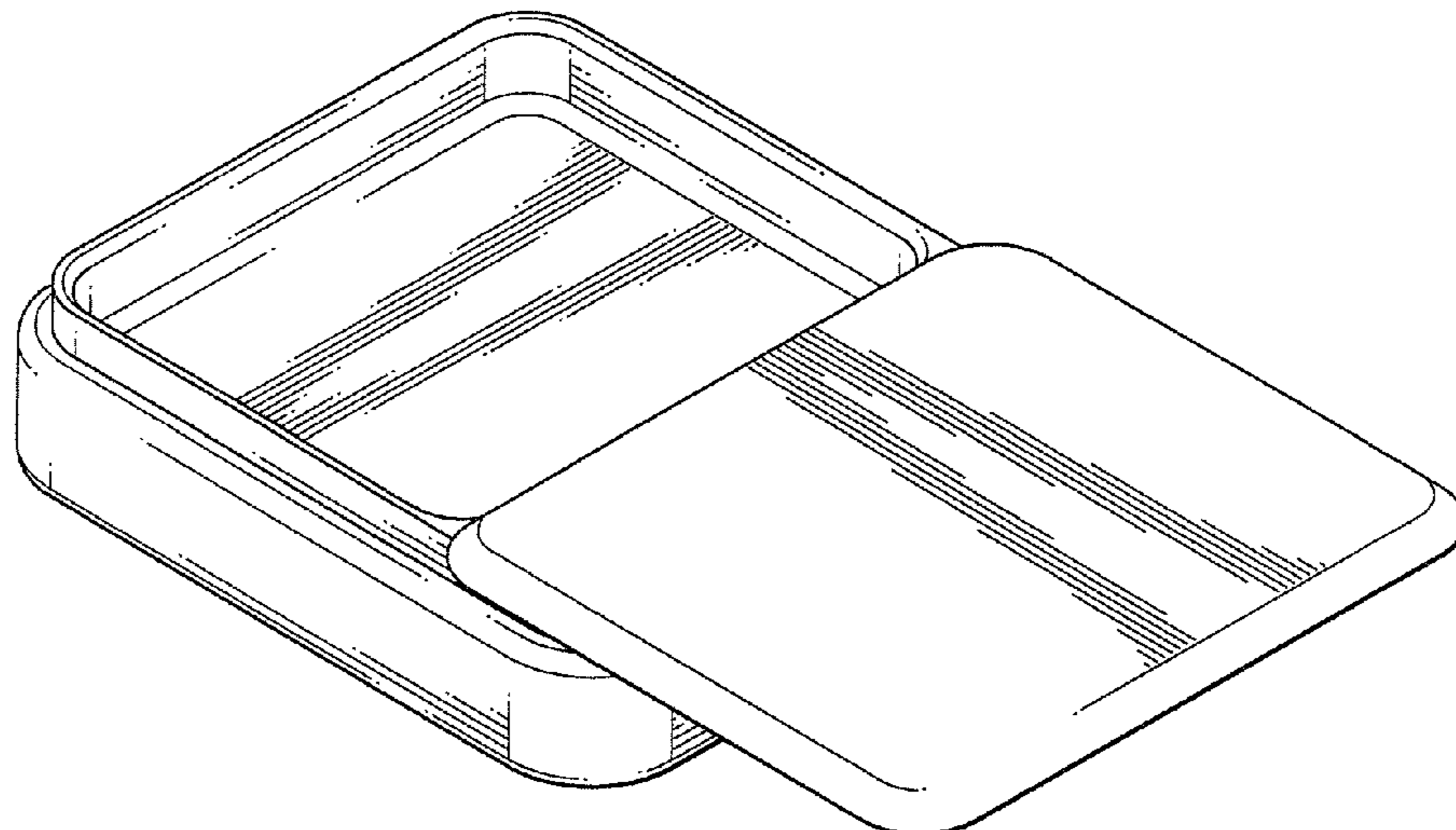
(57) **CLAIM**

We claim the ornamental design for a container, as shown and described.

DESCRIPTION

FIG. 1 is a perspective view of an embodiment of a container; FIG. 2 is a top plan view thereof; FIG. 3 is a front view thereof, the back view being a mirror image thereof; FIG. 4 is a right side view thereof; FIG. 5 is a left side view thereof; and, FIG. 6 is a bottom plan view thereof. The ornamental design which is claimed is shown in solid lines in the drawings. Any broken lines in the drawings are for illustrative purposes only and form no part of the claimed design.

1 Claim, 2 Drawing Sheets



U.S. PATENT DOCUMENTS

2008/0135437 A1 6/2008 Taneri
2008/0238079 A1 10/2008 Whyte
2010/0055655 A1 3/2010 Ashman, Jr.
2010/0159427 A1 6/2010 Bachar

OTHER PUBLICATIONS

Wildmind Buddhist Meditation, "Applied Meditation", Posted by Bodhipaksa, Sep. 16, 2007, internet address: <http://www.wildmind.org/applied/printpage>, Sep. 24, 2010 2 pgs.
Meditation Expert, "Keeping a Meditation Journal", internet address: <http://www.meditationexpert.co.uk>, Sep. 24, 2010, 2 pgs.
Christ Notes, "Daily Bible Verse", internet address: http://www.christnotes.org/-/_daily-meditation--personal-journal_0768420407.asp, Sep. 24, 2010, 3 pgs.
eHow Videos, "Simple Meditation Techniques: Video Series", internet address: http://www.ehow.com/videos-on_8565_simple-meditation-techniques.html#ixzz10Tq0KPDY, Sep. 24, 2010, 9 pg.

New Age Store, "Meditation@NewAgeStore.com", internet address: <http://www.newagestore.com/Divination/Meditations.aspx>, Sep. 24, 2010, 2 pgs.
Worldwide Online Meditation Center, "Color Healing Meditation Room", internet address: <http://www.meditationcenter.com/healing.color.html>, Sep. 24, 2010, 3 pgs.
Meditation Candles, "Meditation Candles", internet address: <http://meditationcandles.net/>, Sep. 24, 2010, 3 pgs.
eHow Videos, "Aromatherapy Meditation", internet address: http://www.ehow.com/videos_4958848_aromatherapy-meditation.html, Sep. 24, 2010, 2 pgs.
The Shift Network, "Accelerating the Next Evolution", internet address: <http://theshiftnetwork.com/>, Sep. 24, 2010 2 pgs.
Wildmind Buddhist Meditation "Lovingkindness meditation," Posted by Bodhipaksa on Oct. 23, 2006, internet address: <http://www.wildmind.org/metta>, Sep. 29, 2010, 2 pgs.

* cited by examiner

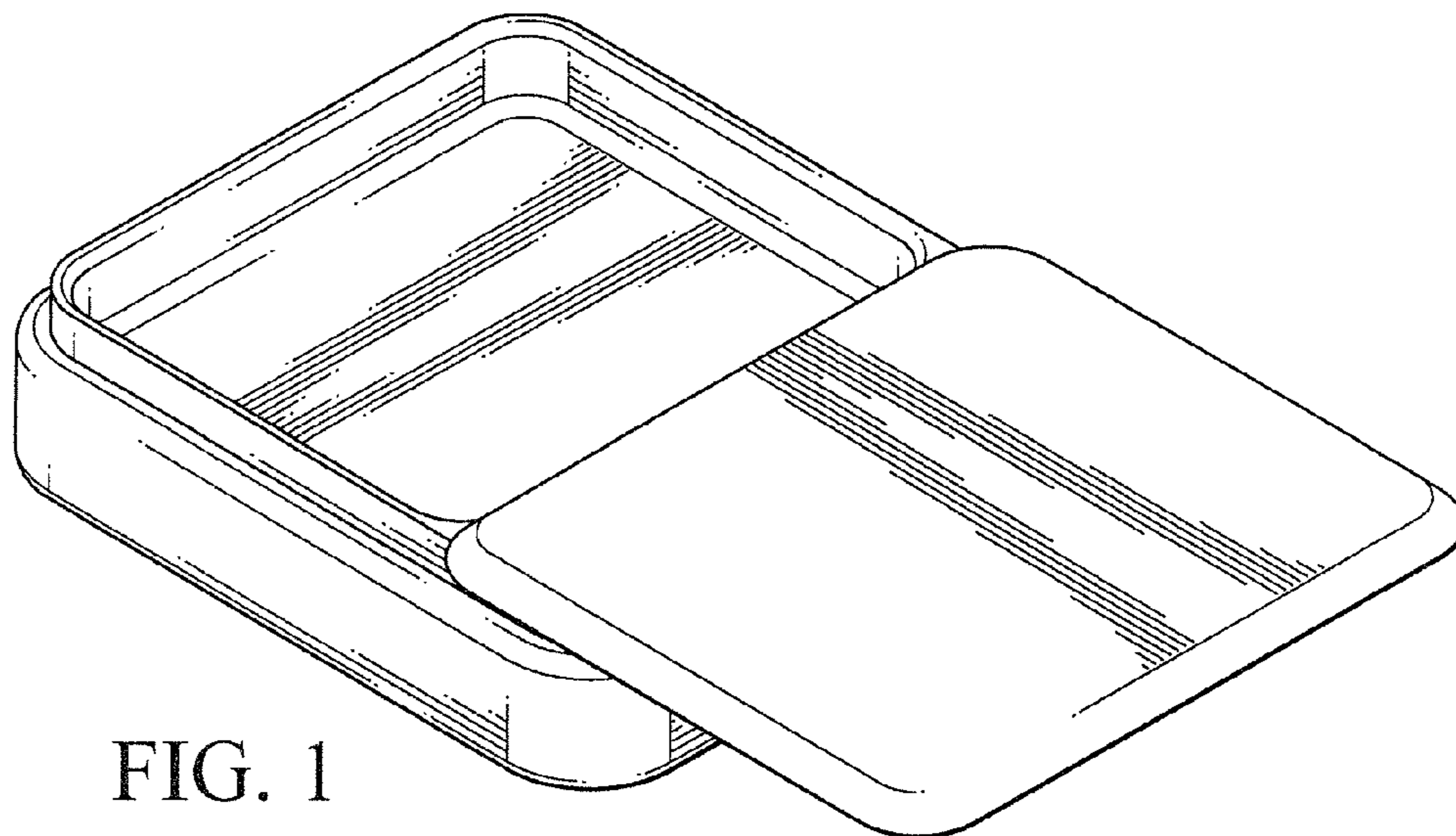


FIG. 1

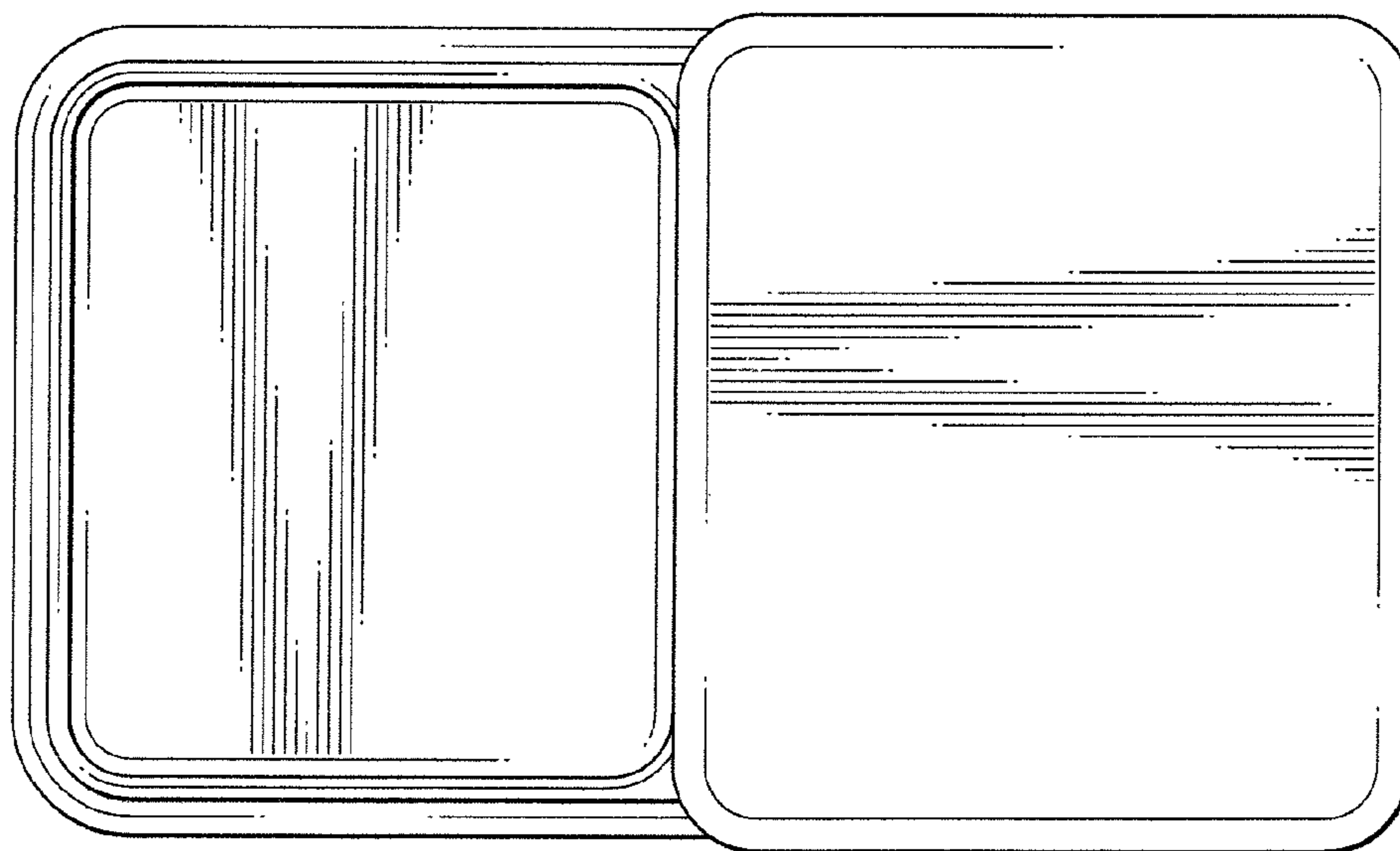


FIG. 2

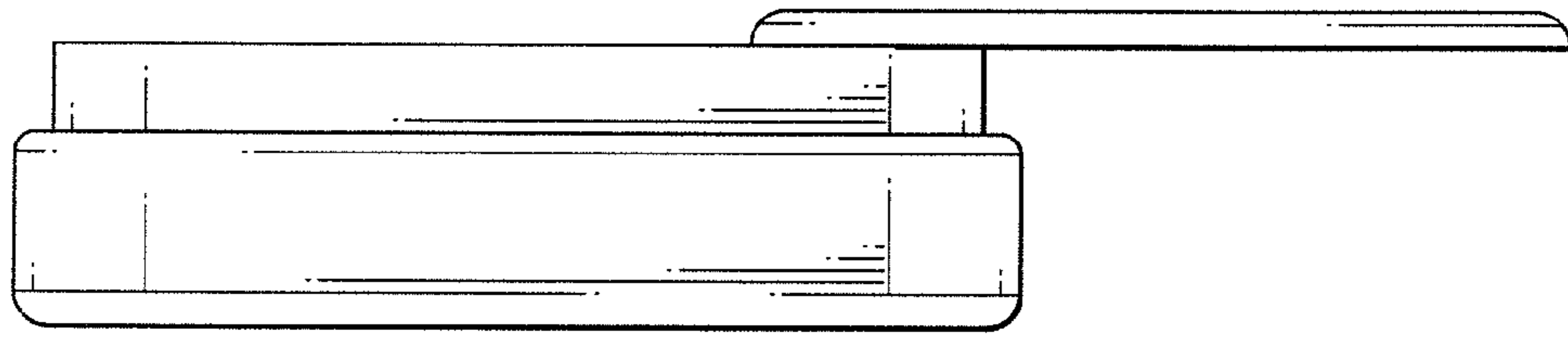


FIG. 3

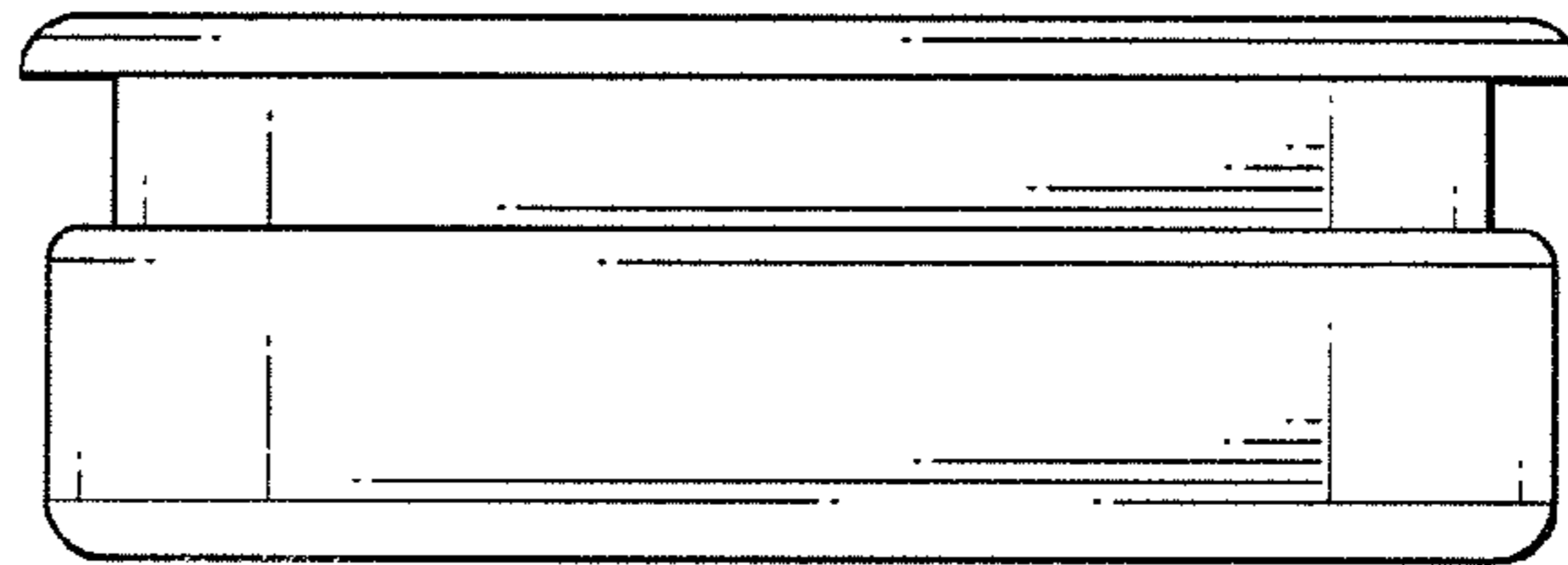


FIG. 4

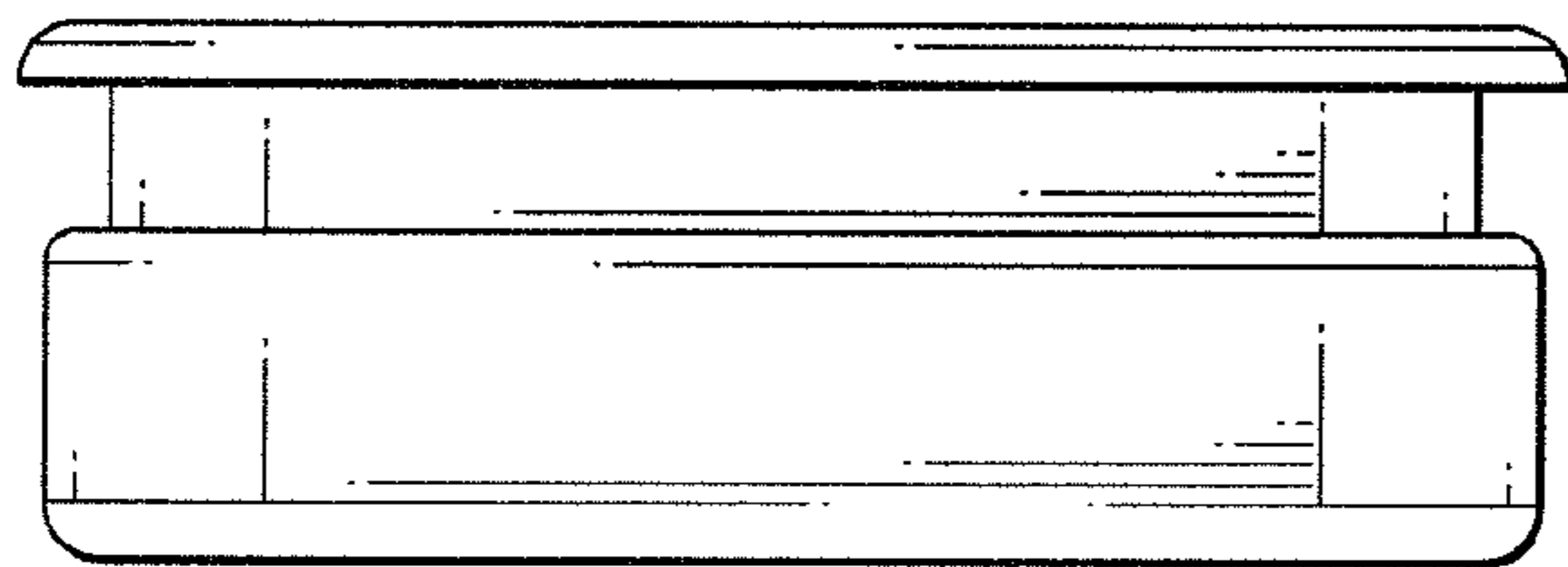


FIG. 5

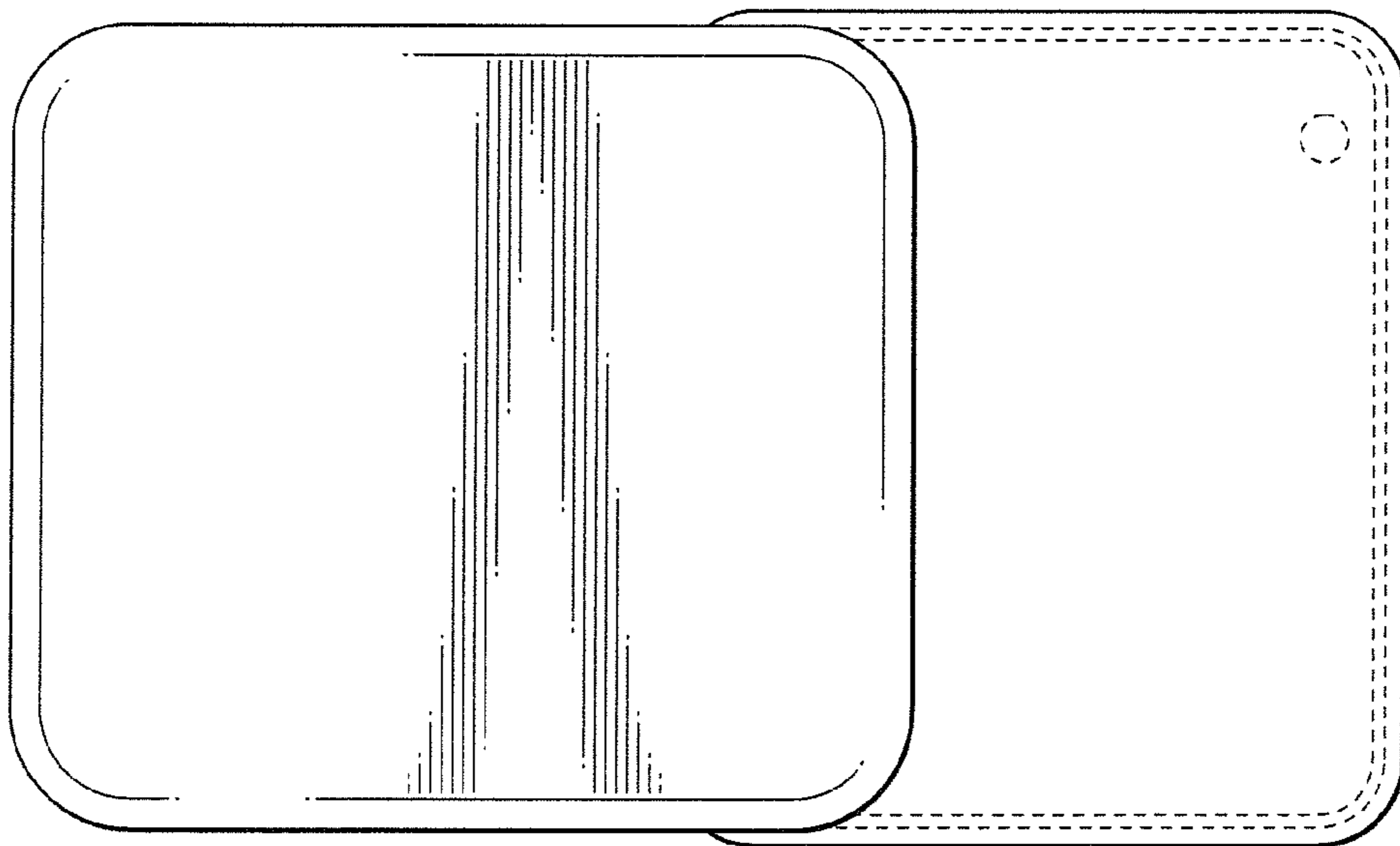


FIG. 6