



US00D681332S

(12) **United States Design Patent**
Rashid

(10) **Patent No.:** **US D681,332 S**

(45) **Date of Patent:** **** May 7, 2013**

(54) **MOBILE PHONE CASE**

(75) Inventor: **Karim Rashid**, New York, NY (US)

(73) Assignee: **KDDI Corporation**, Tokyo (JP)

(**) Term: **14 Years**

(21) Appl. No.: **29/403,764**

(22) Filed: **Oct. 11, 2011**

(30) **Foreign Application Priority Data**

Apr. 11, 2011 (JP) 2011-008298

(51) **LOC (9) Cl.** **03-01**

(52) **U.S. Cl.**
USPC **D3/303**

(58) **Field of Classification Search** D3/303,
D3/290, 247, 249-253; 206/503-507, 509-510,
206/514-515, 518

See application file for complete search history.

(56) **References Cited**

U.S. PATENT DOCUMENTS

D388,250 S * 12/1997 Robinson et al. D3/245

D393,947 S * 5/1998 Alves et al. D3/303

* cited by examiner

Primary Examiner — Holly Baynham

(74) *Attorney, Agent, or Firm* — Westerman, Hattori, Daniels & Adrian, LLP

(57) **CLAIM**

The ornamental design for a mobile phone case, as shown and described.

DESCRIPTION

FIG. 1 is a perspective view of a mobile phone case.
FIG. 2 is a front elevation view thereof.
FIG. 3 is a rear elevation view thereof.
FIG. 4 is a top plan view thereof.
FIG. 5 is a bottom plan view thereof.
FIG. 6 is a left side elevation view thereof.
FIG. 7 is a right side elevation view thereof.
FIG. 8 is a perspective view showing the open position.
FIG. 9 is a reduced front view showing the open position.
FIG. 10 is a reduced rear view showing the open position.
FIG. 11 is a reduced top plan view showing the open position.
FIG. 12 is a reduced bottom plan view showing the open position.
FIG. 13 is a reduced left side view showing the open position; and,
FIG. 14 is a reduced right side view showing the open position.

1 Claim, 14 Drawing Sheets

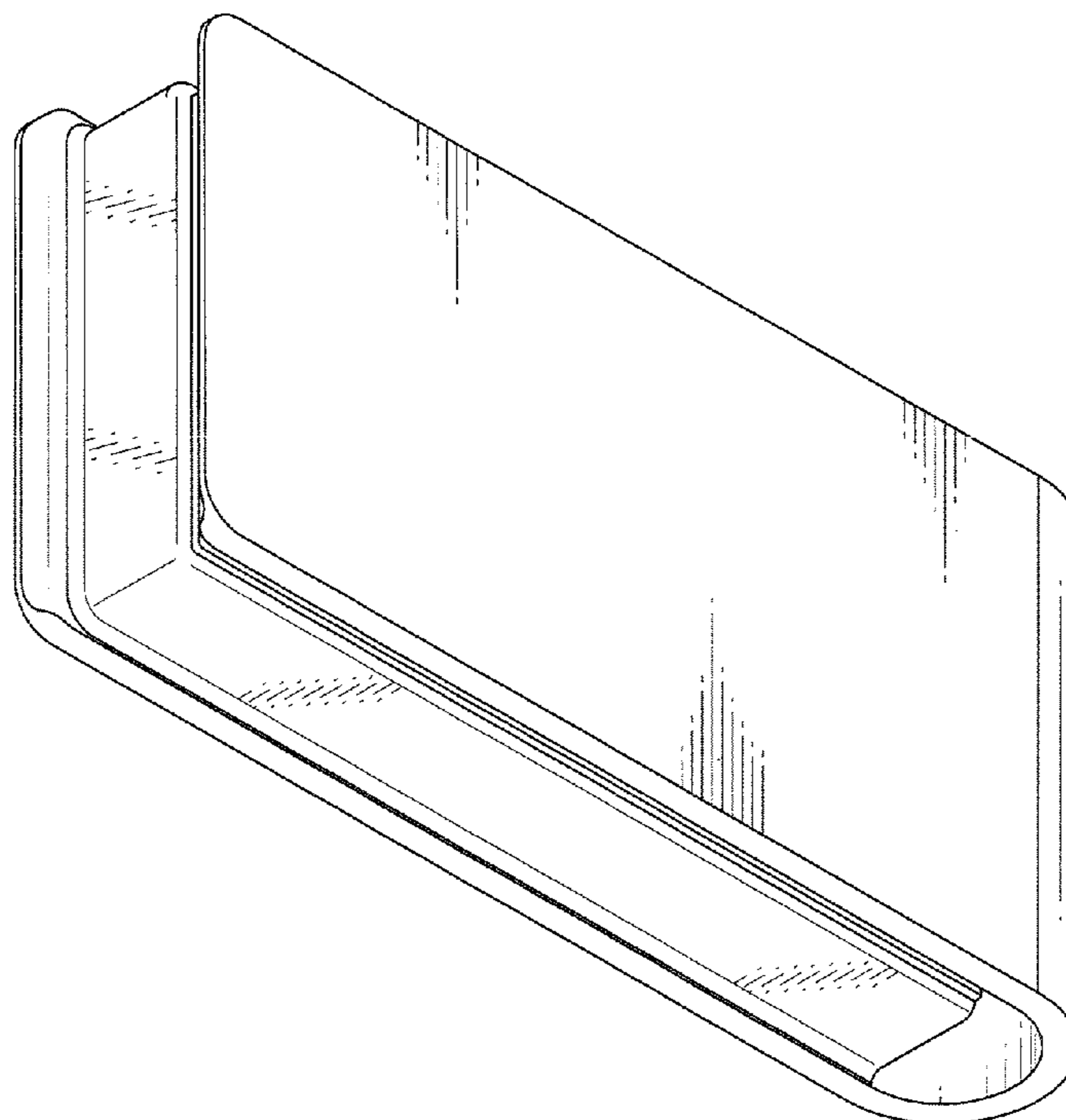


FIG. 1

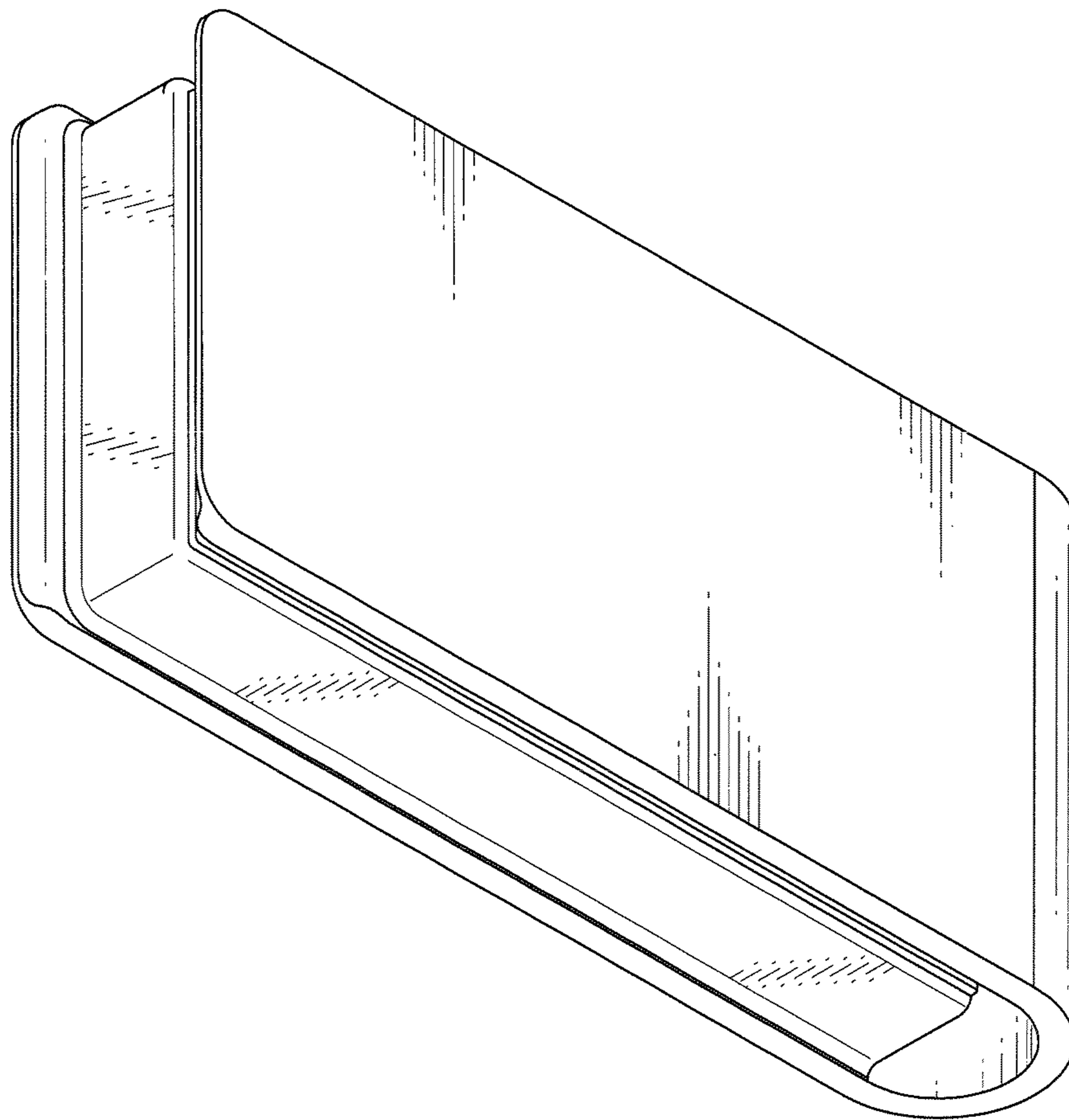


FIG. 2

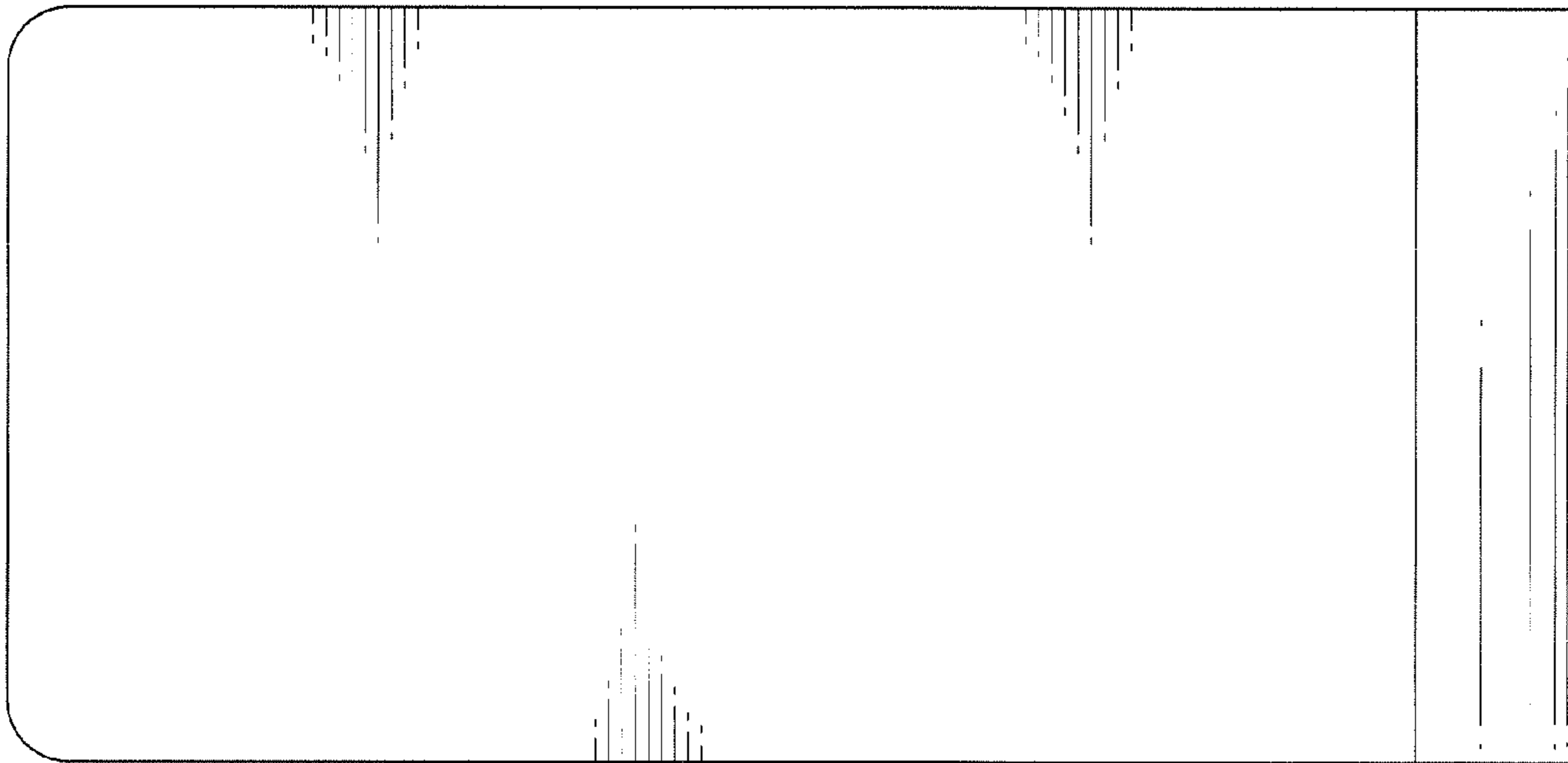


FIG. 3

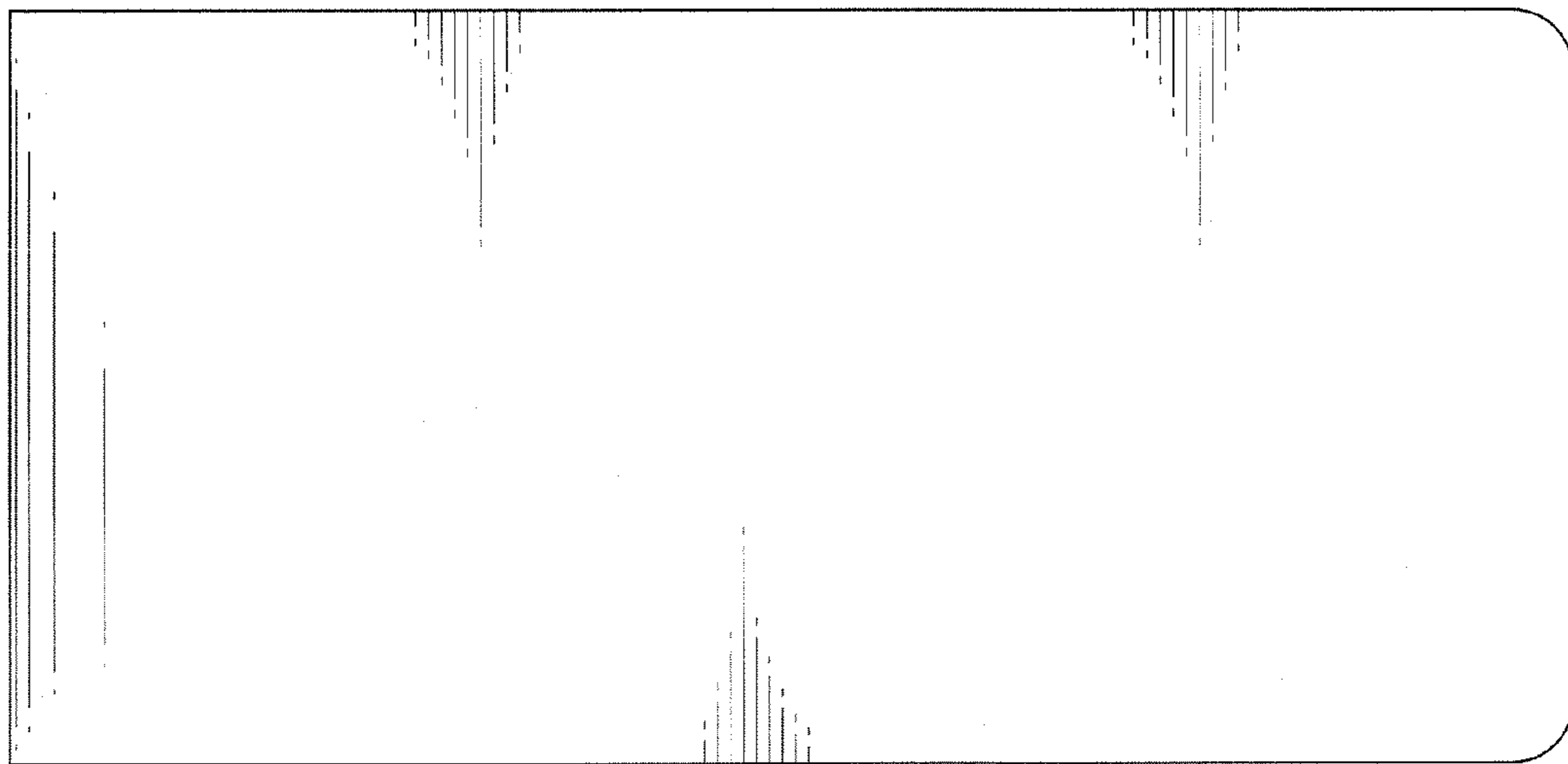


FIG. 4

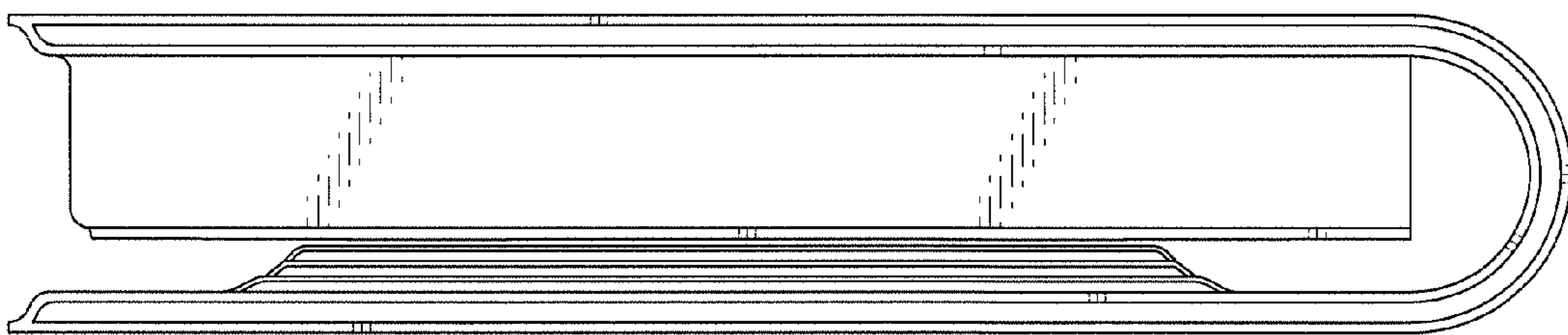


FIG. 5

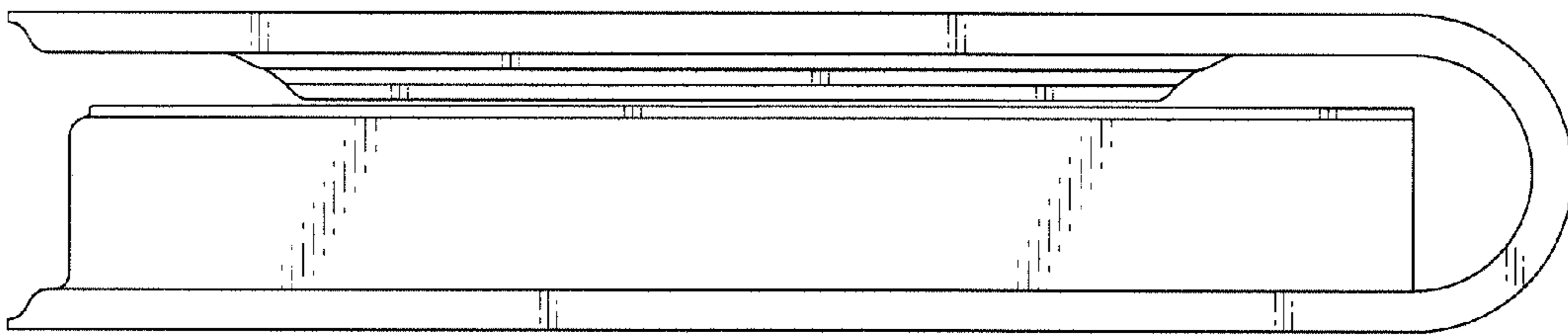


FIG. 6

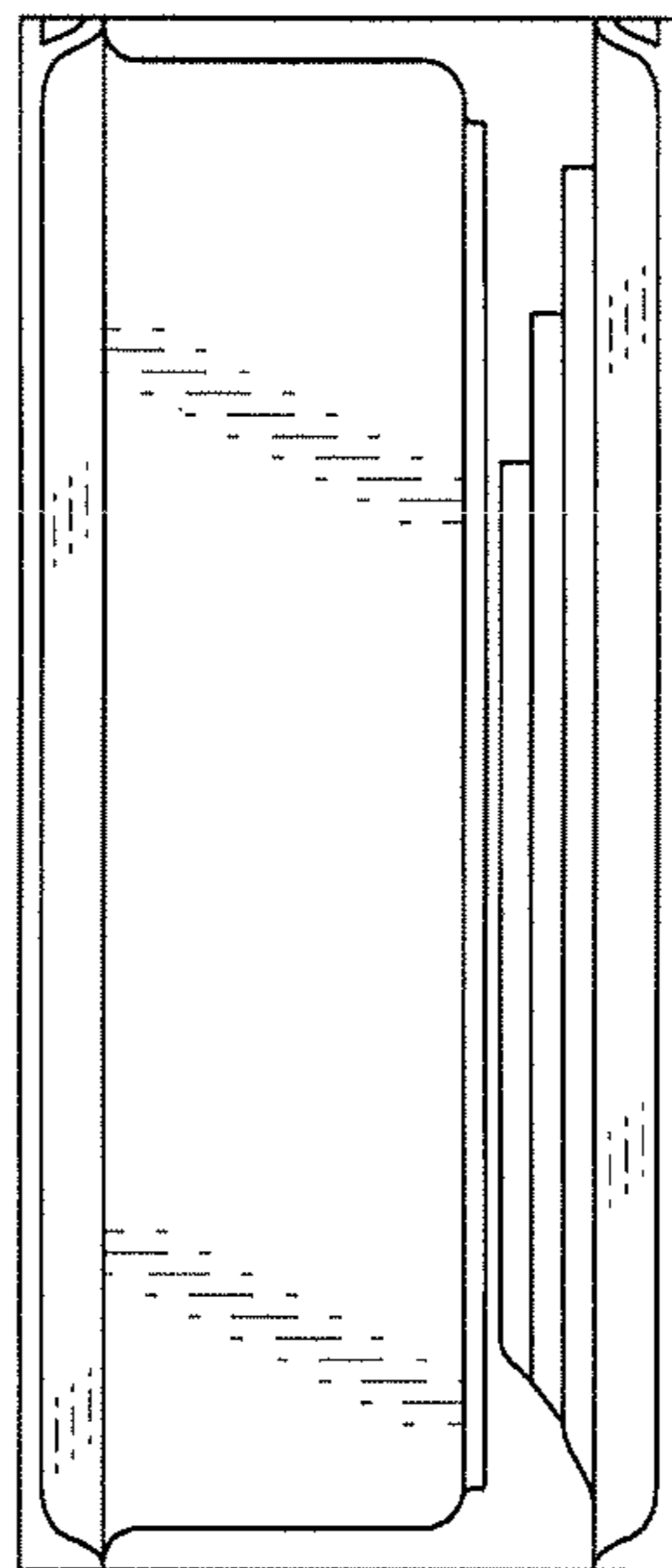


FIG. 7

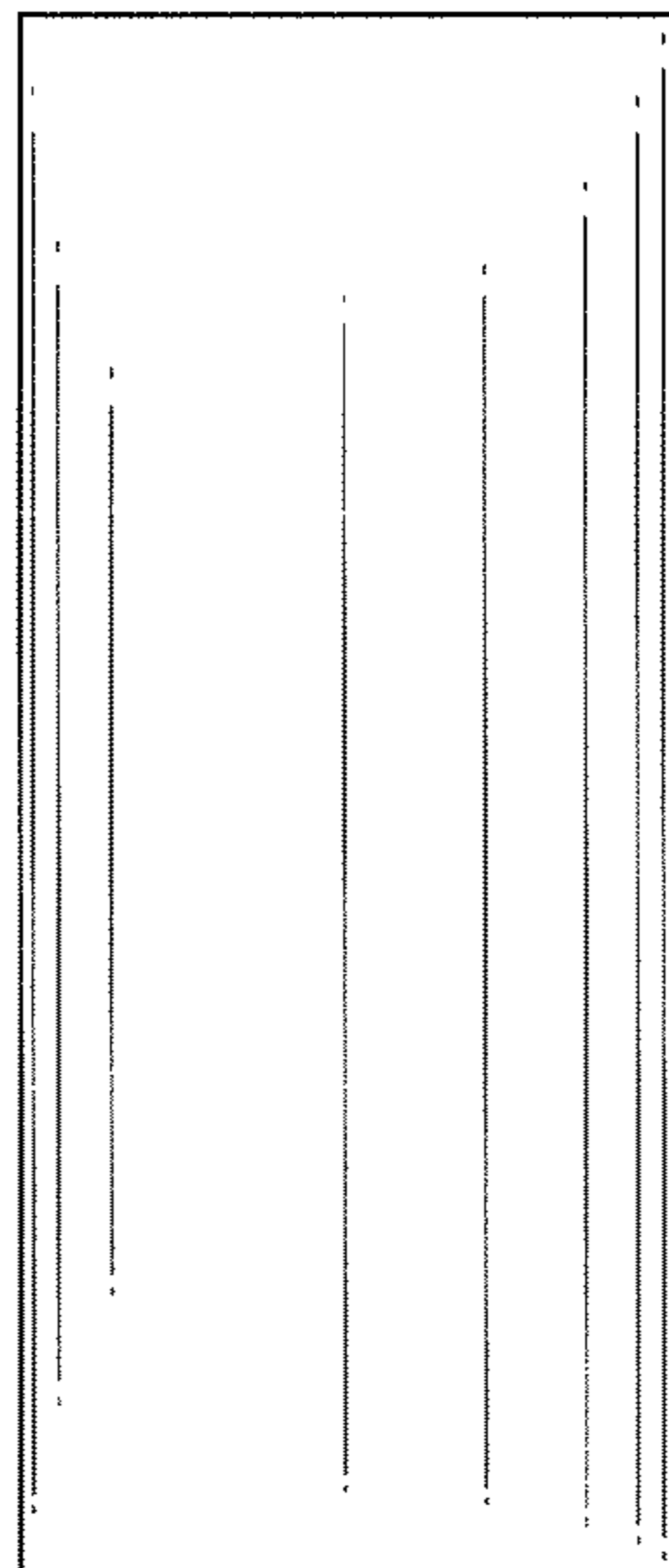


FIG. 8

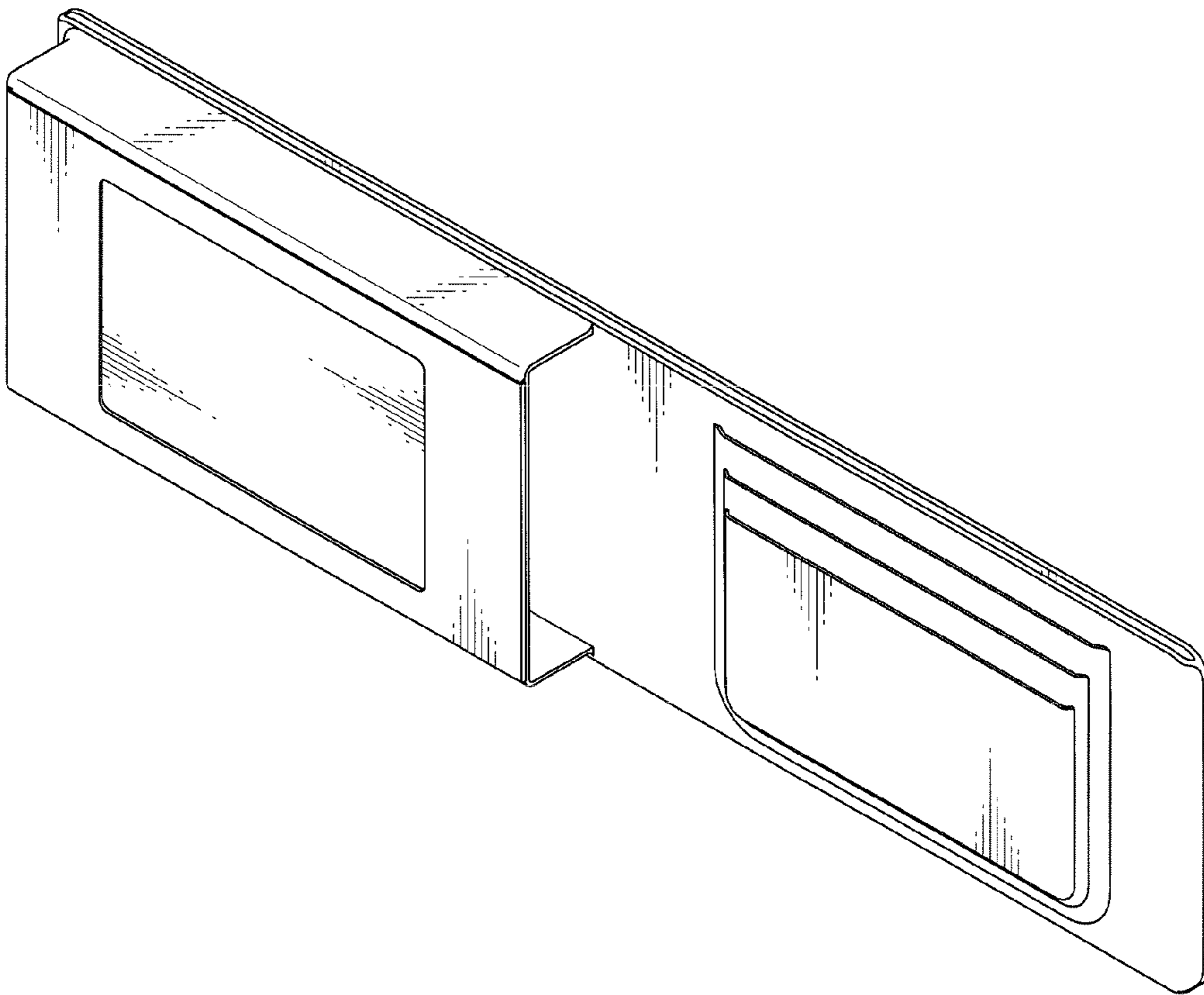


FIG. 9

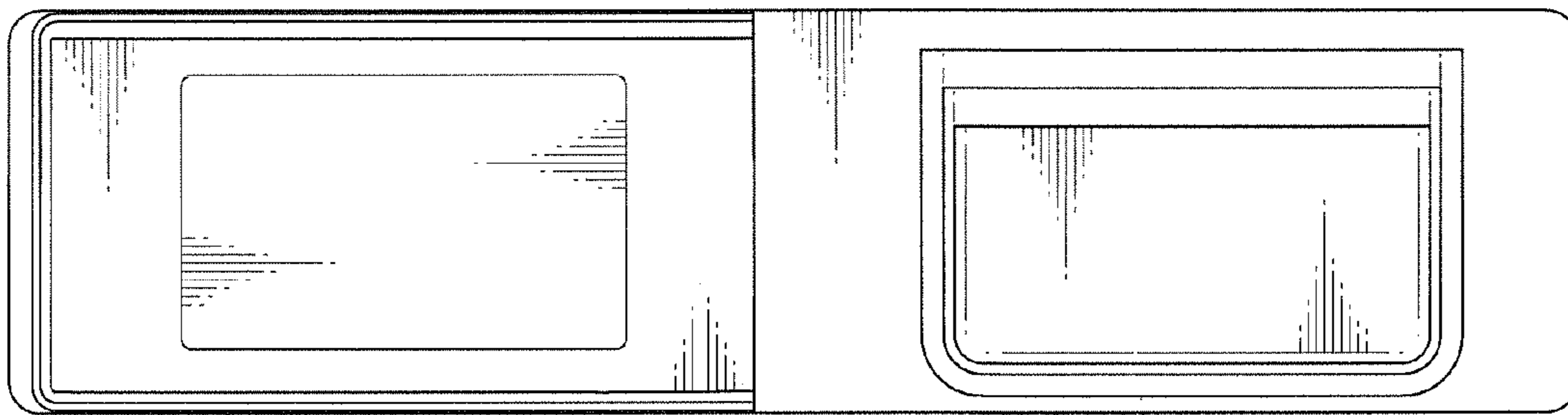


FIG. 10

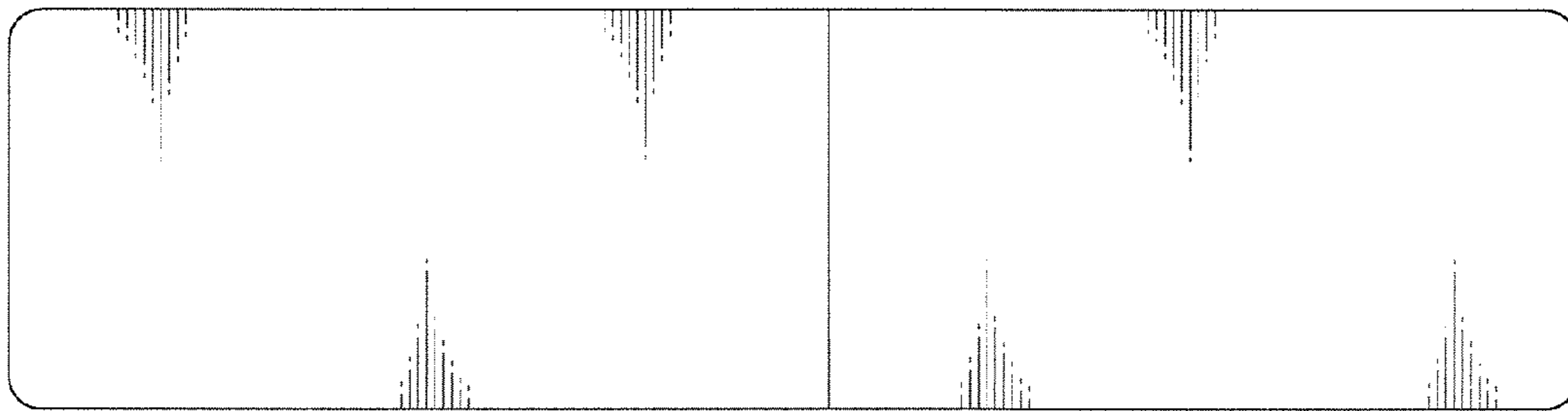


FIG. 11

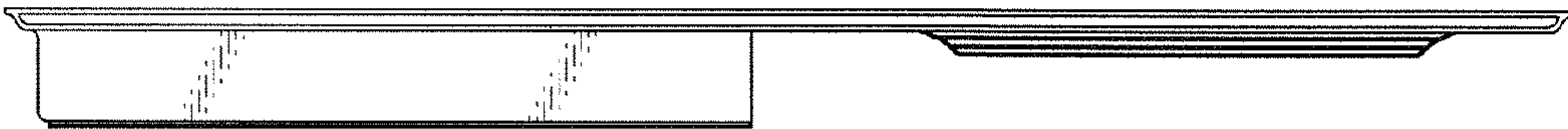


FIG. 12

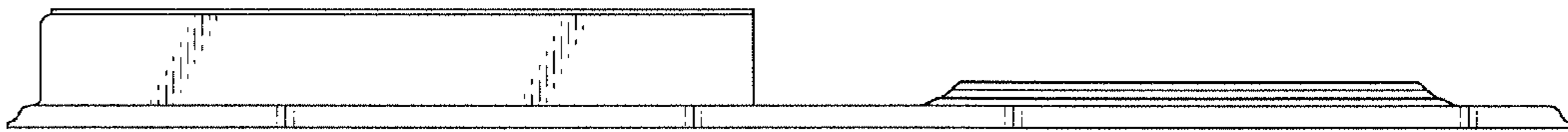


FIG. 13

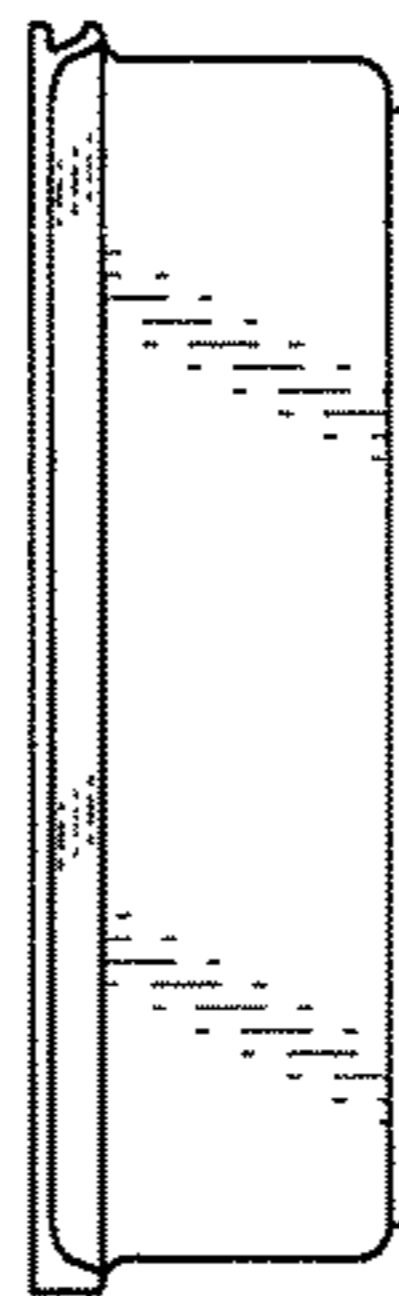


FIG. 14

