



US00D681331S

(12) **United States Design Patent**  
**Scott**

(10) **Patent No.:** **US D681,331 S**

(45) **Date of Patent:** **\*\* May 7, 2013**

(54) **BOX WITH PRIVATE LABEL**

(76) Inventor: **William Scott**, Villa Hills, KY (US)

(\*\*) Term: **14 Years**

(21) Appl. No.: **29/391,490**

(22) Filed: **May 10, 2011**

(51) **LOC (9) Cl.** ..... **03-01**

(52) **U.S. Cl.**  
USPC ..... **D3/302**

(58) **Field of Classification Search** ..... D3/302,  
D3/313; D34/1; D9/431, 432, 418, 414,  
D9/423, 430, 433; D19/75; 229/122.21,  
229/125.37, 148, 122.23, 183, 117  
See application file for complete search history.

3,138,283 A 6/1964 Peebles  
3,186,586 A 6/1965 Box  
3,195,798 A 7/1965 Wilson  
3,282,462 A 11/1966 Box  
3,301,386 A 1/1967 Carter  
3,314,532 A 4/1967 Henry  
3,366,496 A 1/1968 Bomar et al.

(Continued)

**FOREIGN PATENT DOCUMENTS**

WO WO 99/25621 5/1999

*Primary Examiner* — Sheryl Lane

(74) *Attorney, Agent, or Firm* — Hasse & Nesbitt LLC;  
Donald E. Hasse; Daniel F. Nesbitt

(57) **CLAIM**

I claim the ornamental design for a box with private label, as shown and described.

(56) **References Cited**

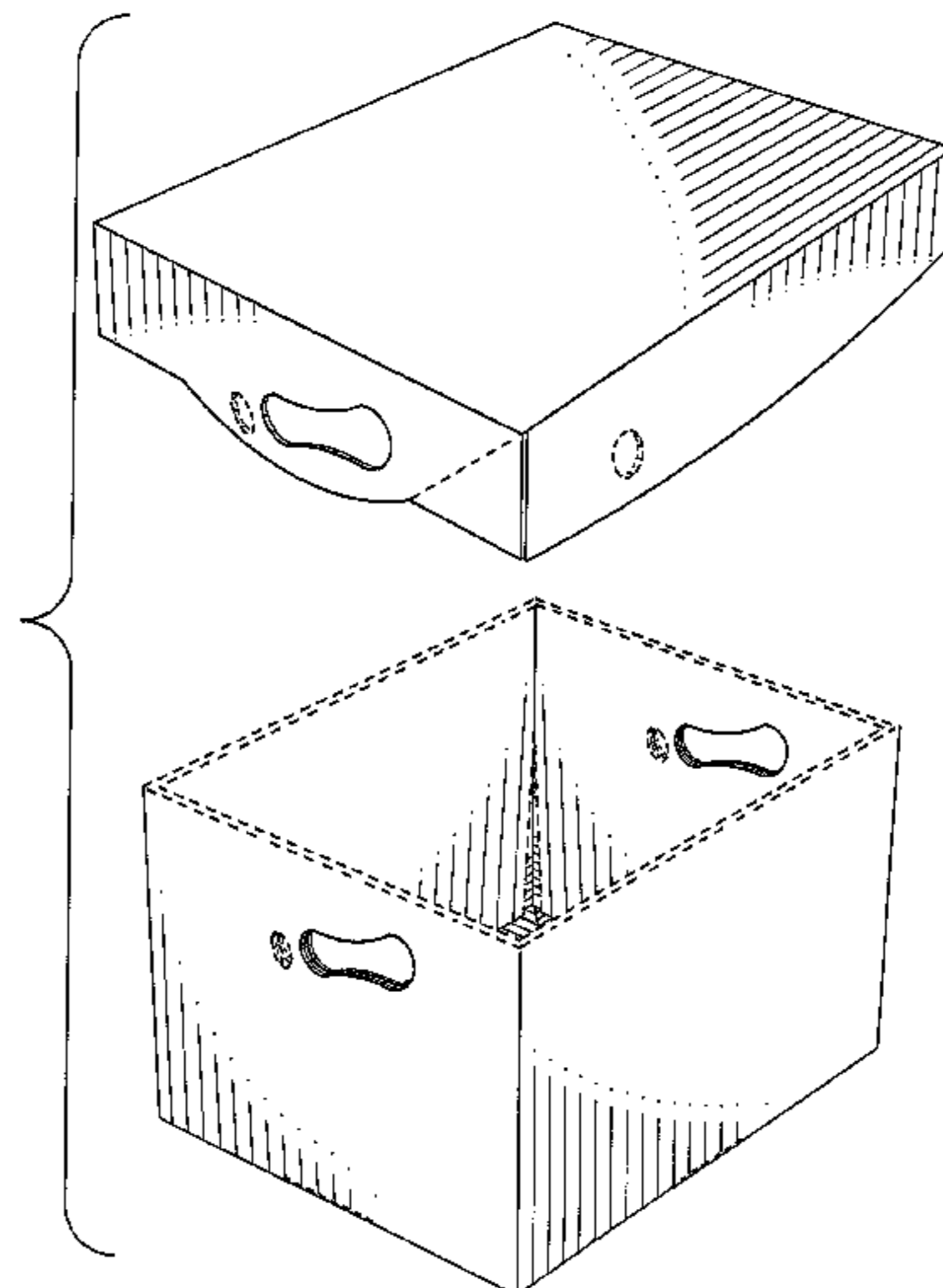
**U.S. PATENT DOCUMENTS**

1,457,770 A 6/1923 Dodge  
1,623,547 A 4/1927 Neumann  
1,897,672 A 2/1933 Neumann  
1,974,674 A 9/1934 Halladay et al.  
2,054,355 A 9/1936 Anderson, Jr.  
2,124,409 A 7/1938 Andrews  
2,253,008 A 8/1941 Anderson, Jr.  
2,289,619 A 7/1942 Anderson, Jr.  
2,307,349 A 1/1943 Anderson, Jr.  
2,307,350 A 1/1943 Anderson, Jr.  
2,365,182 A 12/1944 Ferguson  
2,418,963 A 4/1947 Anderson, Jr.  
2,460,230 A 1/1949 Makrianes  
2,537,801 A 1/1951 Swatsick  
2,559,552 A 7/1951 Welshenbach  
2,561,979 A 7/1951 George  
2,604,255 A 7/1952 Welshenbach  
2,629,499 A 2/1953 Welshenbach  
2,645,353 A 7/1953 Anderson, Jr.  
3,002,650 A 10/1961 Lovell  
3,049,279 A 8/1962 Mairs et al.  
3,107,041 A 10/1963 Wagner, Jr.

**DESCRIPTION**

FIG. 1 is a perspective view of the new design, with the label removed;  
FIG. 2 is a side view of the new design, with the label removed;  
FIG. 3 is an end view of the new design, with the label removed;  
FIG. 4 is another end view of the new design, with the label removed;  
FIG. 5 is a top view of the new design, with the label removed;  
FIG. 6 is a bottom view of the new design, with the label removed;  
FIG. 7 is a perspective view of the new design, with the label present; and,  
FIG. 8 is a perspective view of the new design, with the label removed.  
The broken lines show portions of the article and form no part of the claimed design.

**1 Claim, 7 Drawing Sheets**



# US D681,331 S

Page 2

## U.S. PATENT DOCUMENTS

3,379,341	A	4/1968	Miles	D421,183	S	2/2000	Koskinen
3,438,562	A	4/1969	Connor et al.	D422,499	S	4/2000	Herbst et al.
3,622,063	A *	11/1971	McVeigh ..... 229/122.23	D423,587	S	4/2000	Conley et al.
3,667,666	A	6/1972	Pryor	D424,117	S *	5/2000	Steinbeck et al. .... D19/75
3,670,949	A	6/1972	Galanes	D425,128	S	5/2000	Conley et al.
3,684,159	A	8/1972	Wolfe	D425,562	S	5/2000	Conley et al.
3,692,231	A	9/1972	Neitzke et al.	6,059,180	A	5/2000	Collins
3,713,579	A	1/1973	Chaffers	6,123,254	A	9/2000	Dupuis
3,724,920	A	4/1973	Beck	6,135,347	A *	10/2000	Mueller ..... 229/183
3,831,834	A *	8/1974	Elward ..... 229/122.23	6,149,052	A	11/2000	Mueller
3,844,473	A	10/1974	Whelan	D448,567	S	10/2001	Buss
D242,021	S	10/1976	Shanklin	D453,275	S	2/2002	Stravitz
4,030,600	A	6/1977	Heaps	D461,120	S	8/2002	Ostro
4,101,052	A	7/1978	Dove	D477,217	S *	7/2003	Riedi ..... D9/418
4,172,522	A	10/1979	Muller et al.	6,705,515	B2	3/2004	Dowd
4,285,150	A	8/1981	Richardson et al.	D494,759	S	8/2004	Louie et al.
4,291,830	A	9/1981	Sorensen	D495,490	S	9/2004	Garrett et al.
4,325,493	A	4/1982	Paige	D507,404	S	7/2005	Moon et al.
4,380,290	A	4/1983	Luebke	D518,526	S	4/2006	Benn
2,822,973	A	2/1985	Armstrong et al.	D526,893	S	8/2006	Nixon
4,617,702	A	10/1986	Diederich, Jr.	D539,036	S	3/2007	Potts et al.
4,768,704	A	9/1988	Beckway et al.	D542,033	S	5/2007	Kopenhaver et al.
4,817,861	A	4/1989	Henrikson	D548,072	S *	8/2007	Nixon ..... D9/432
4,927,074	A	5/1990	LaRue et al.	D569,105	S	5/2008	Van Hoorn
4,961,497	A	10/1990	Sherer et al.	7,410,094	B2	8/2008	Bos
D312,531	S	12/1990	Sherer et al.	7,438,198	B2	10/2008	Pickles
D315,098	S *	3/1991	Hutcheson ..... D3/302	7,611,020	B2	11/2009	Prest
5,011,071	A *	4/1991	Lopez ..... 229/117	7,654,408	B2	2/2010	Bazany
5,042,657	A	8/1991	Dunn	D615,775	S	5/2010	Fairbanks
D326,341	S	5/1992	Frauhiger	7,726,552	B2	6/2010	Chadima
D348,390	S	7/1994	Van Ness	D627,562	S	11/2010	Osiecki et al.
5,429,295	A	7/1995	Levy	D633,296	S	3/2011	Potts et al.
D361,892	S	9/1995	Quaintance	D657,562	S	4/2012	McNamara
5,494,161	A	2/1996	Herbst	D658,407	S	5/2012	Pung et al.
D391,079	S	2/1998	Conti et al.	D661,096	S	6/2012	Dretzka
D394,950	S	6/1998	Kite	2005/0241971	A1	11/2005	Zou et al.
5,779,129	A	7/1998	Herbst et al.	2005/0284906	A1	12/2005	Potts et al.
D398,228	S	9/1998	Herbst et al.	2008/0054059	A1	3/2008	Chadima
D398,230	S	9/1998	Herbst et al.	2010/0314268	A1	12/2010	Goodman
5,908,152	A	6/1999	Tullis				

\* cited by examiner

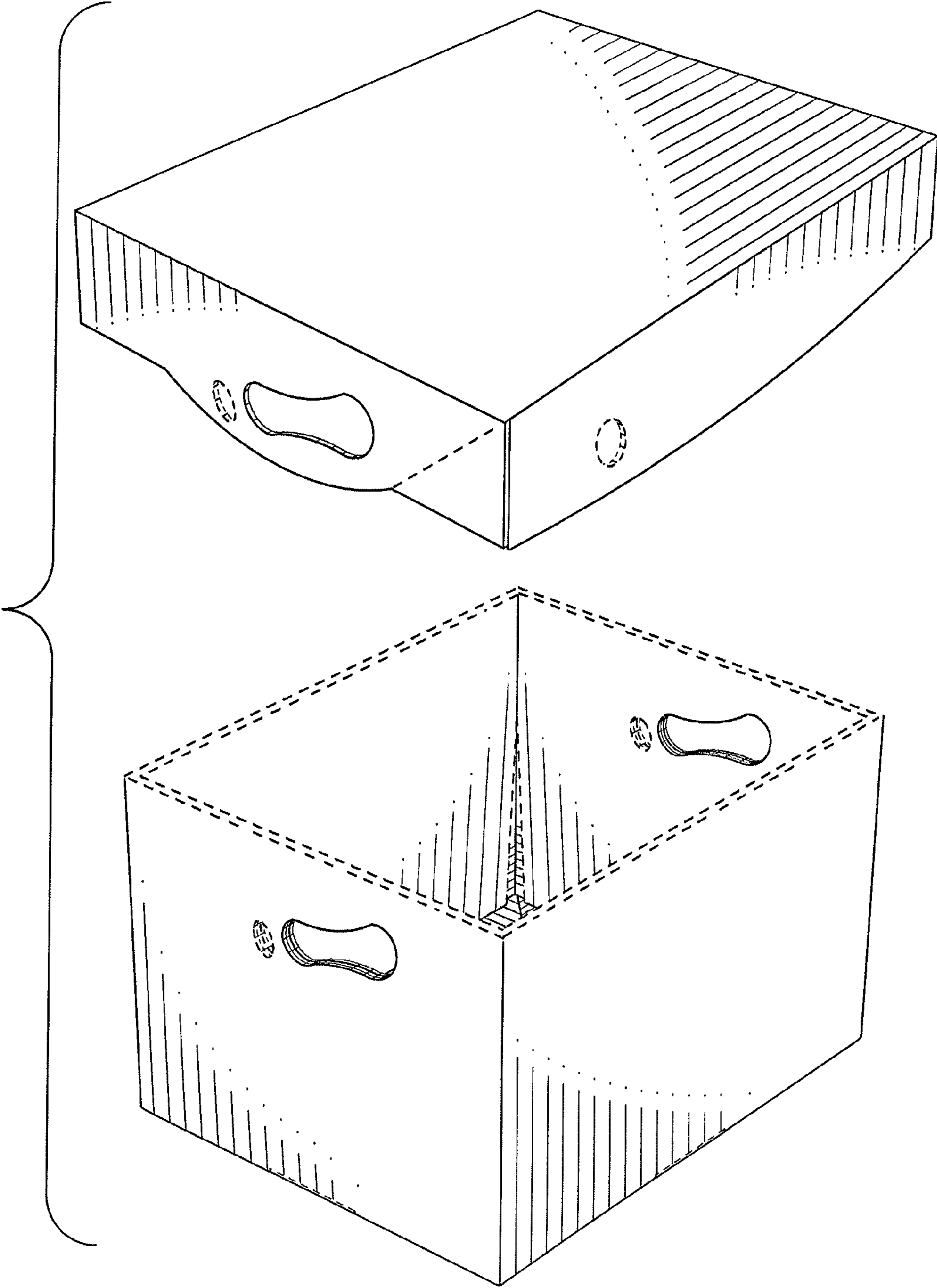


FIG. 1

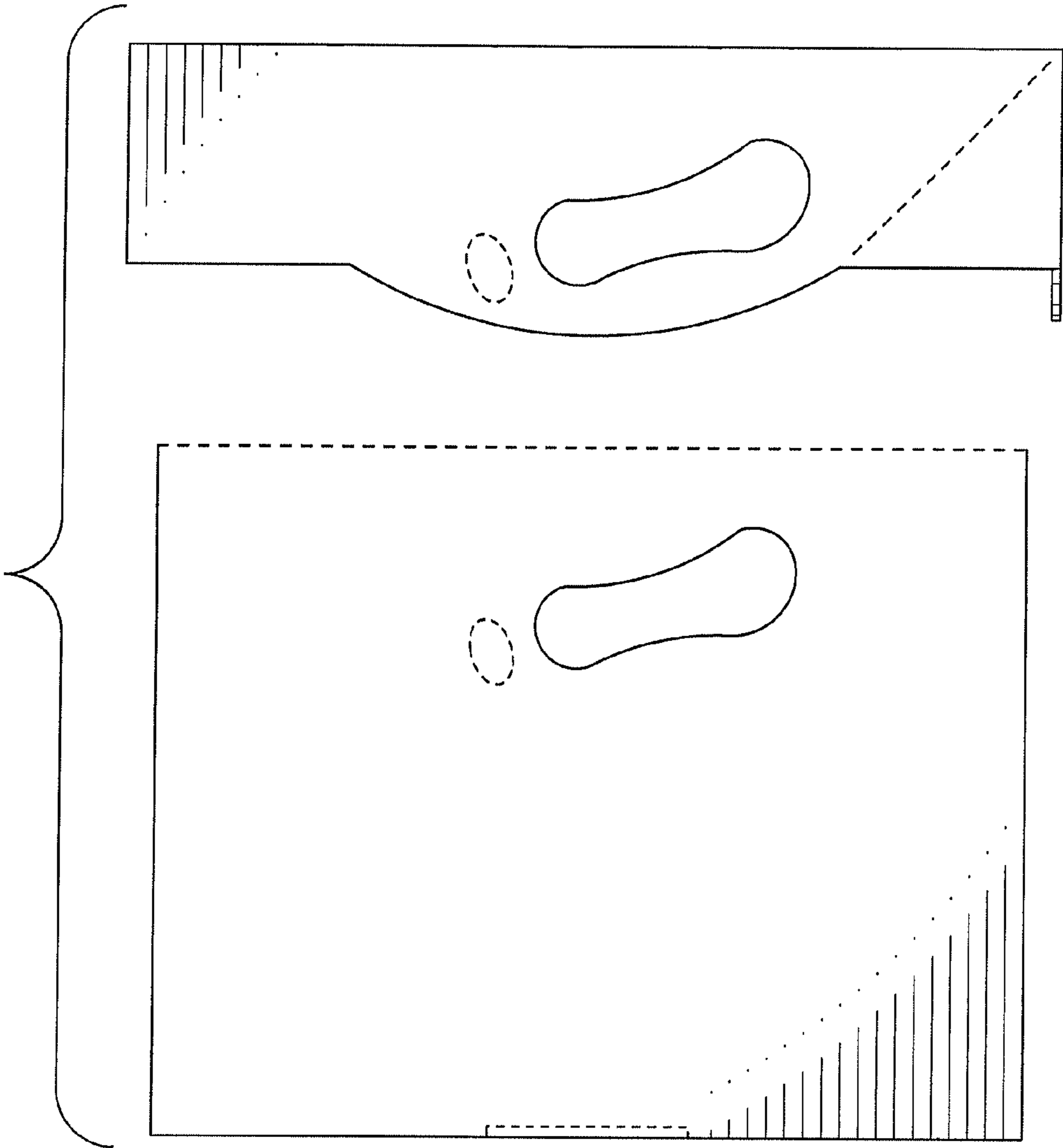


FIG. 2

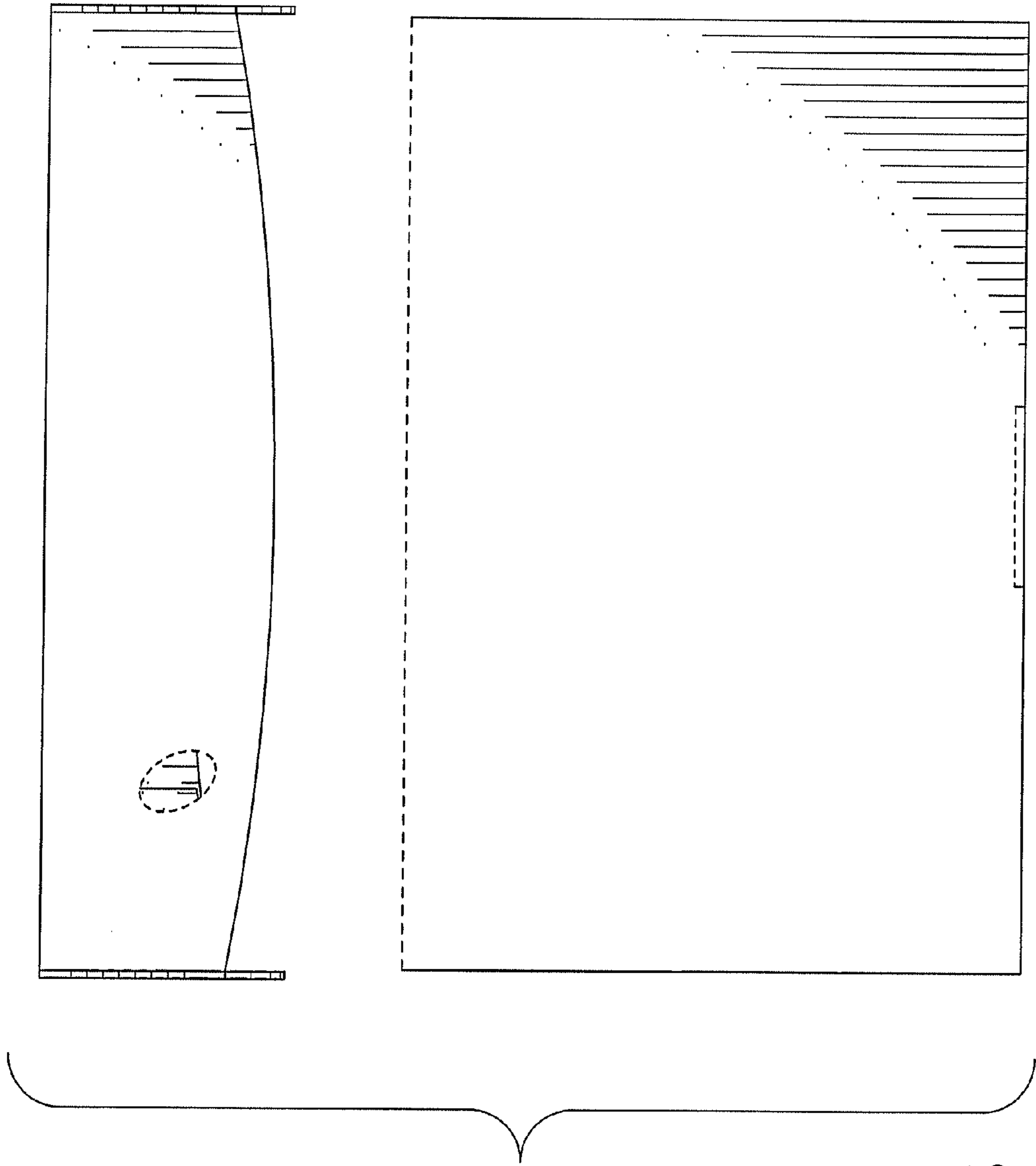


FIG. 3

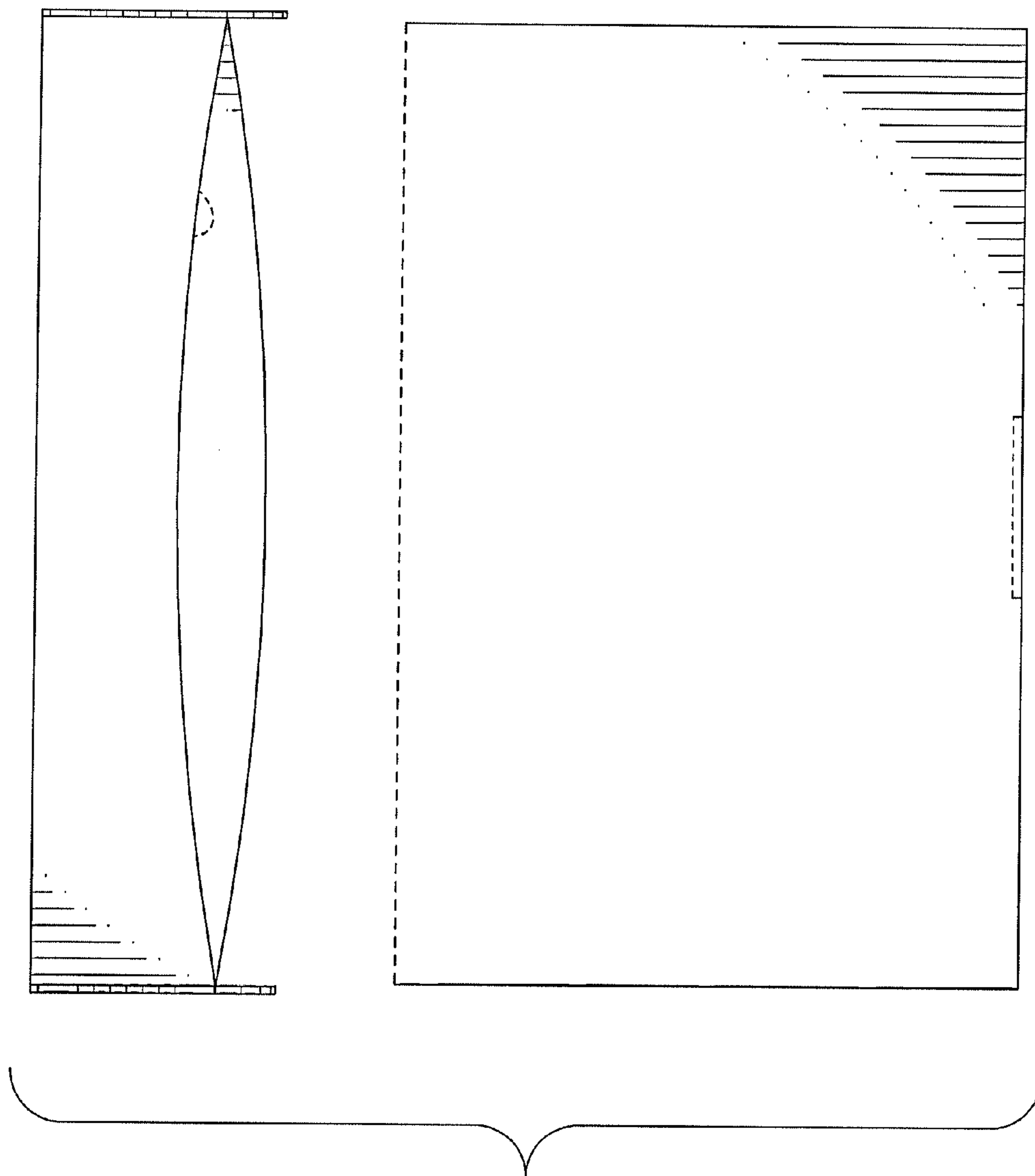


FIG. 4

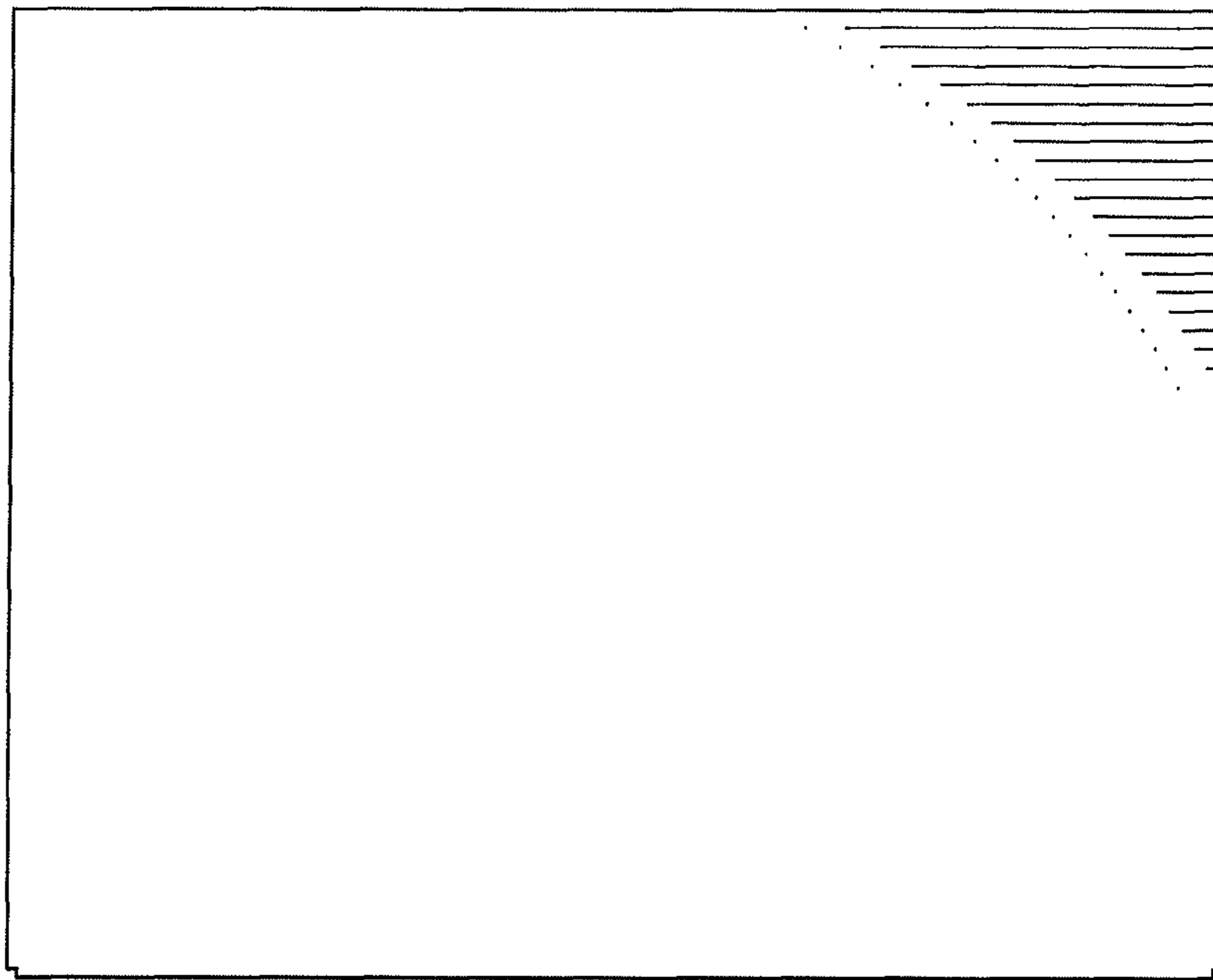


FIG. 5

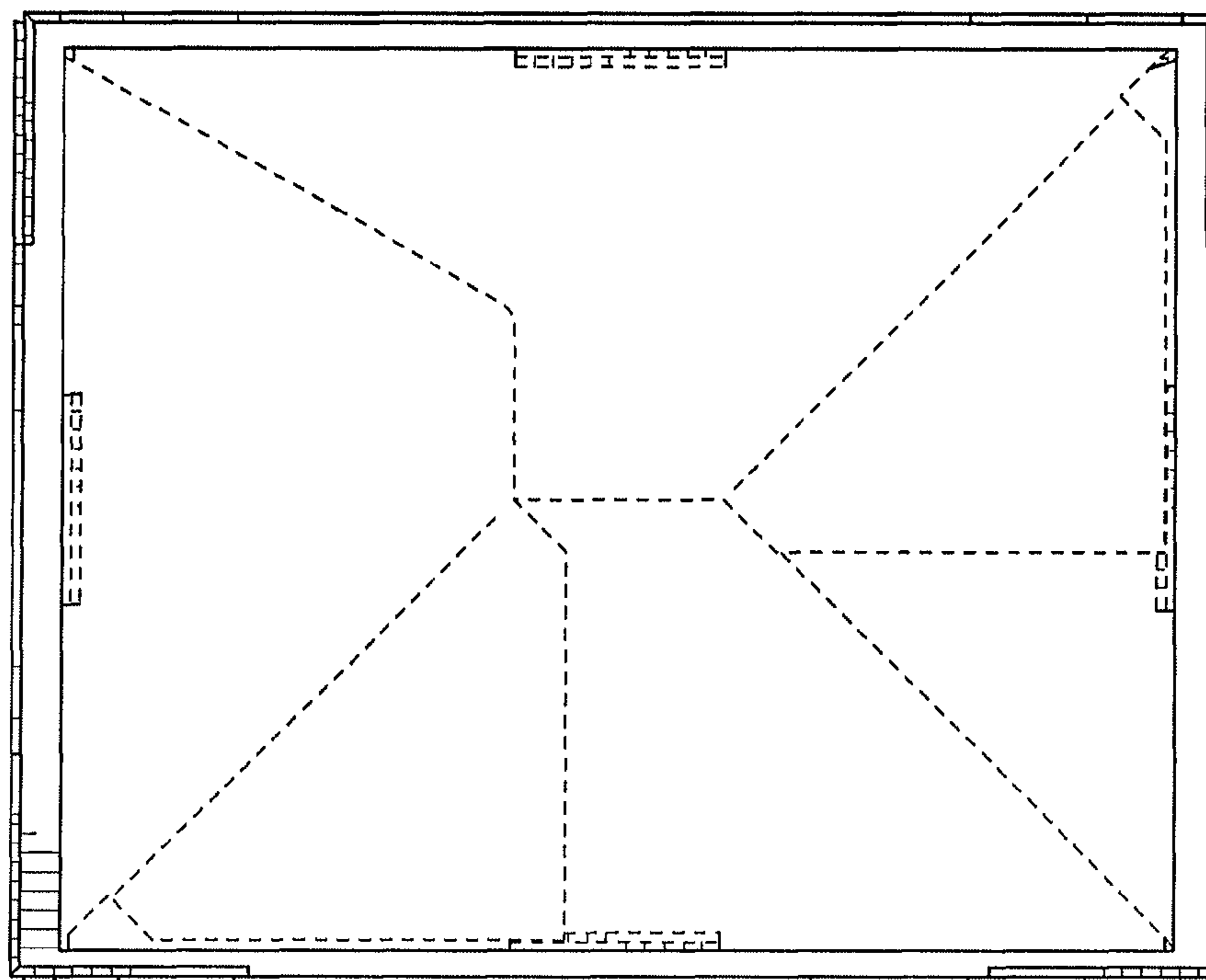


FIG. 6

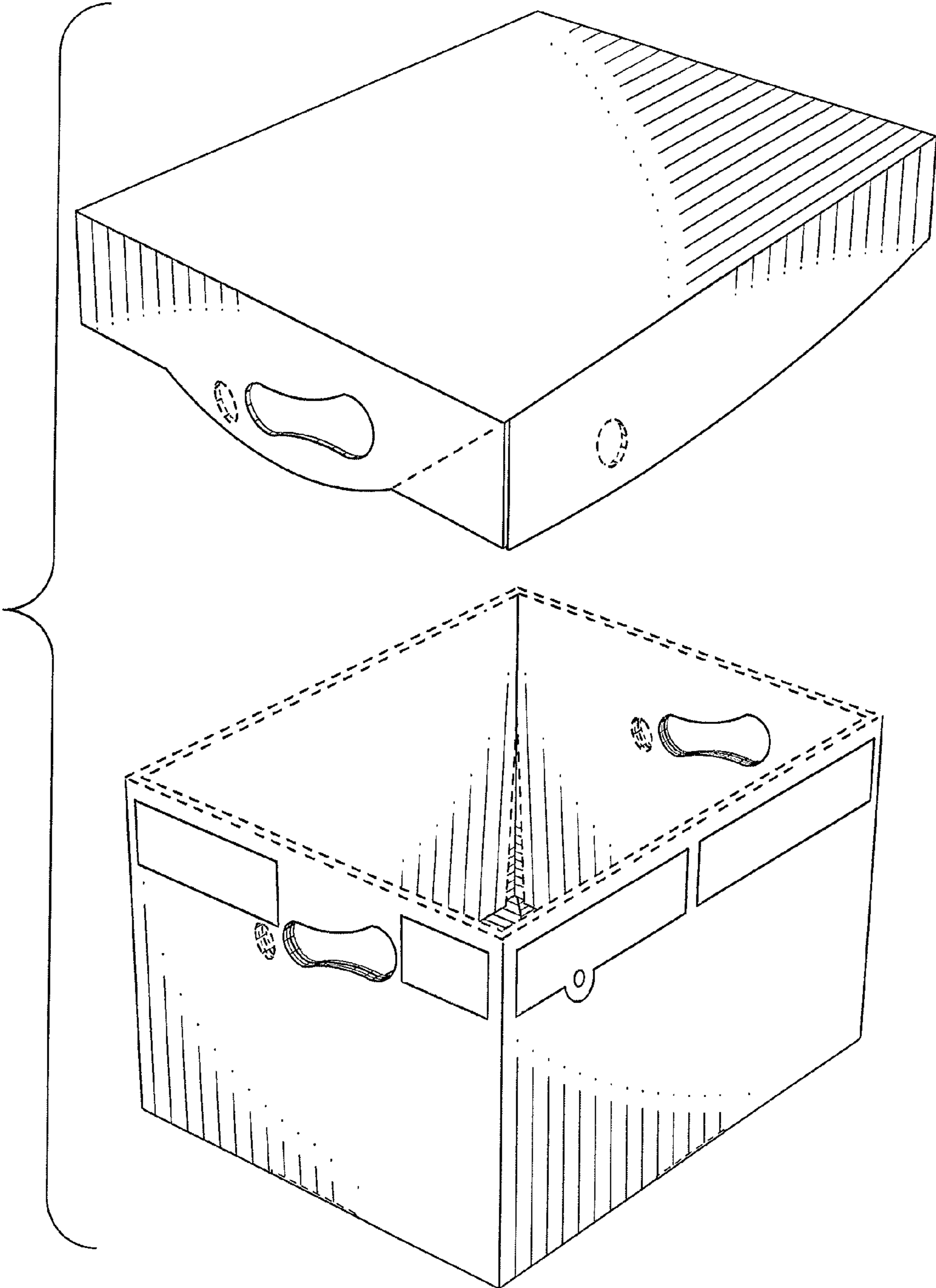


FIG. 7



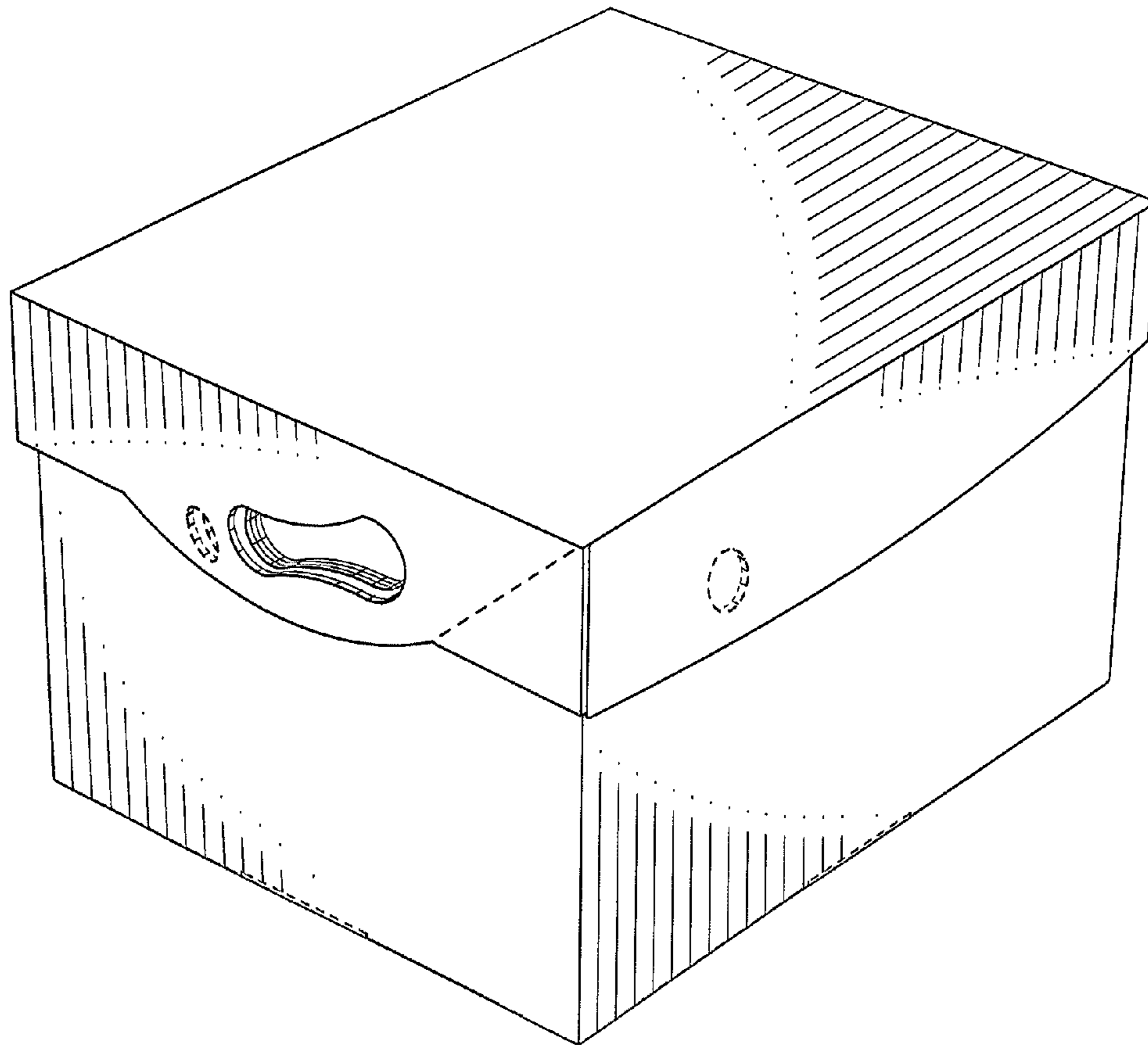


FIG. 8