



US00D681326S

(12) **United States Design Patent**
Willows et al.

(10) **Patent No.:** **US D681,326 S**

(45) **Date of Patent:** **** May 7, 2013**

(54) **BOTTLE SLEEVE**

(75) Inventors: **Keith S. Willows**, Seattle, WA (US);
June A. Angus, Seattle, WA (US);
Antonio Del Rosario, Bellevue, WA
(US)

(73) Assignee: **Amphipod Inc.**, Seattle, WA (US)

(**) Term: **14 Years**

(21) Appl. No.: **29/427,460**

(22) Filed: **Jul. 18, 2012**

(51) **LOC (9) Cl.** **03-01**

(52) **U.S. Cl.**

USPC **D3/229**

(58) **Field of Classification Search** D3/229,
D3/215, 224, 226; D7/607-608, 619.1, 619.2;
224/148.3, 148.4, 148.5; 215/11.6, 395;
220/592.24, 739, 754, 903

See application file for complete search history.

(56) **References Cited**

U.S. PATENT DOCUMENTS

4,401,245	A *	8/1983	Zills	224/148.3
4,802,602	A *	2/1989	Evans et al.	220/739
D385,106	S *	10/1997	Melk	D3/215
6,019,245	A *	2/2000	Foster et al.	220/739
D467,418	S *	12/2002	Perron	D3/229
D647,695	S *	11/2011	Enghard	D3/229
D653,445	S *	2/2012	Enghard	D3/229

* cited by examiner

Primary Examiner — Catheri Oliver-Garcia

(74) *Attorney, Agent, or Firm* — Lowe Graham Jones PLLC

(57) **CLAIM**

We claim the ornamental design for a bottle sleeve, as shown and described.

DESCRIPTION

FIG. 1 is a perspective view of a bottle sleeve, showing our new design.

FIG. 2 is a front view of the bottle sleeve.

FIG. 3 is a left side view of the bottle sleeve.

FIG. 4 is a right side view of the bottle sleeve.

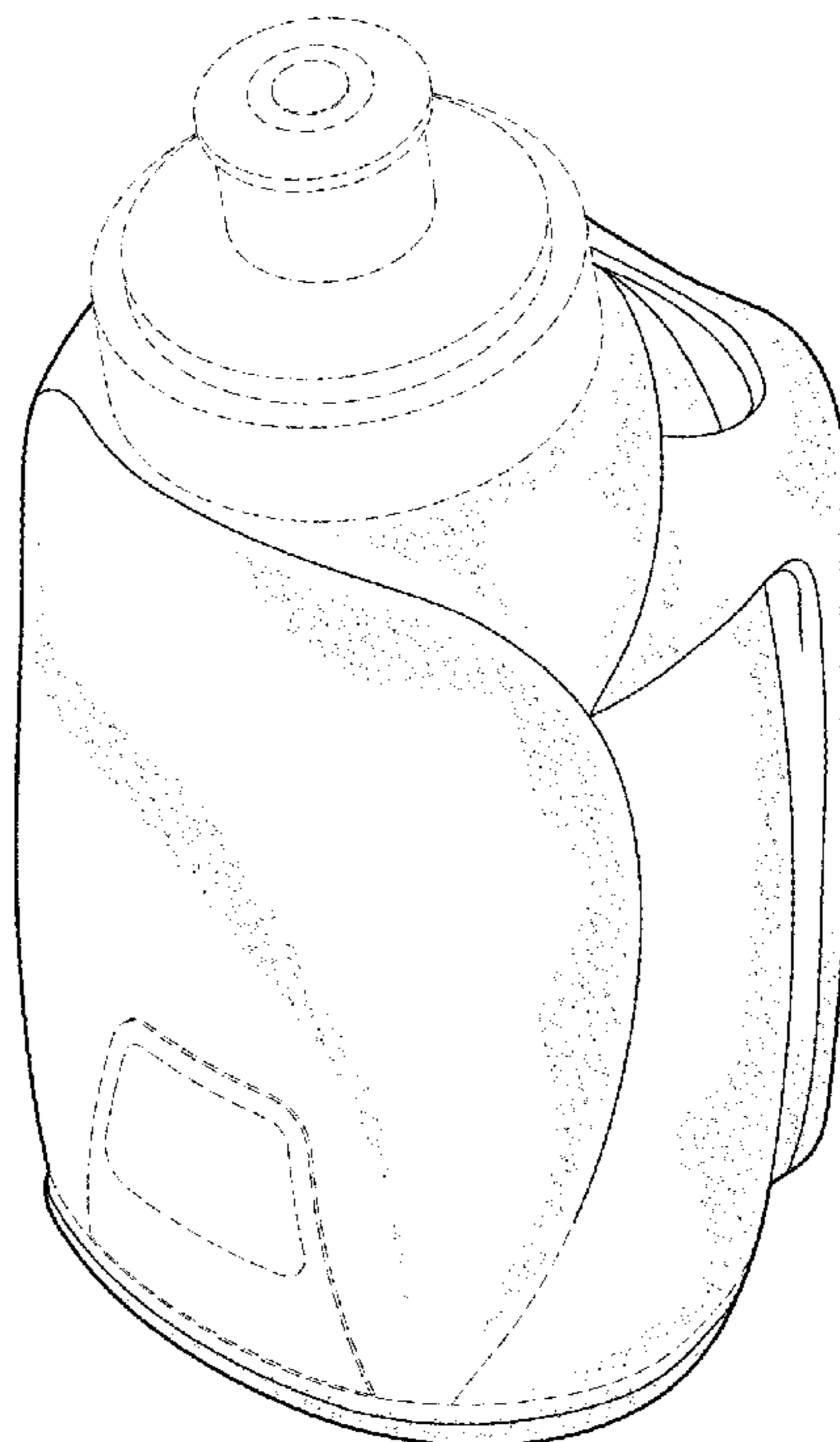
FIG. 5 is a rear view of the bottle sleeve.

FIG. 6 is a top view of the bottle sleeve; and,

FIG. 7 is a bottom view of the bottle sleeve.

The bottle sleeve is formed from panels of a flexible material that can expand to accommodate bottles of different sizes and shapes, and as illustrated the bottle sleeve is shown conformed to an exemplary preferred bottle having a particular preferred shape. Features illustrated in phantom lines are intended to show a preferred environment for the bottle sleeve and form no portion of claimed invention. Features illustrated in phantom lines include visible portions of the bottle and bottle cap in each of the Figures, a logo tag as seen in FIGS. 1-4, a zipper and zipper pull as shown in FIGS. 3-7, portions of stitching shown in each of the Figures, and a bottom strap and buckle as shown in FIGS. 2-5 and 7.

1 Claim, 5 Drawing Sheets



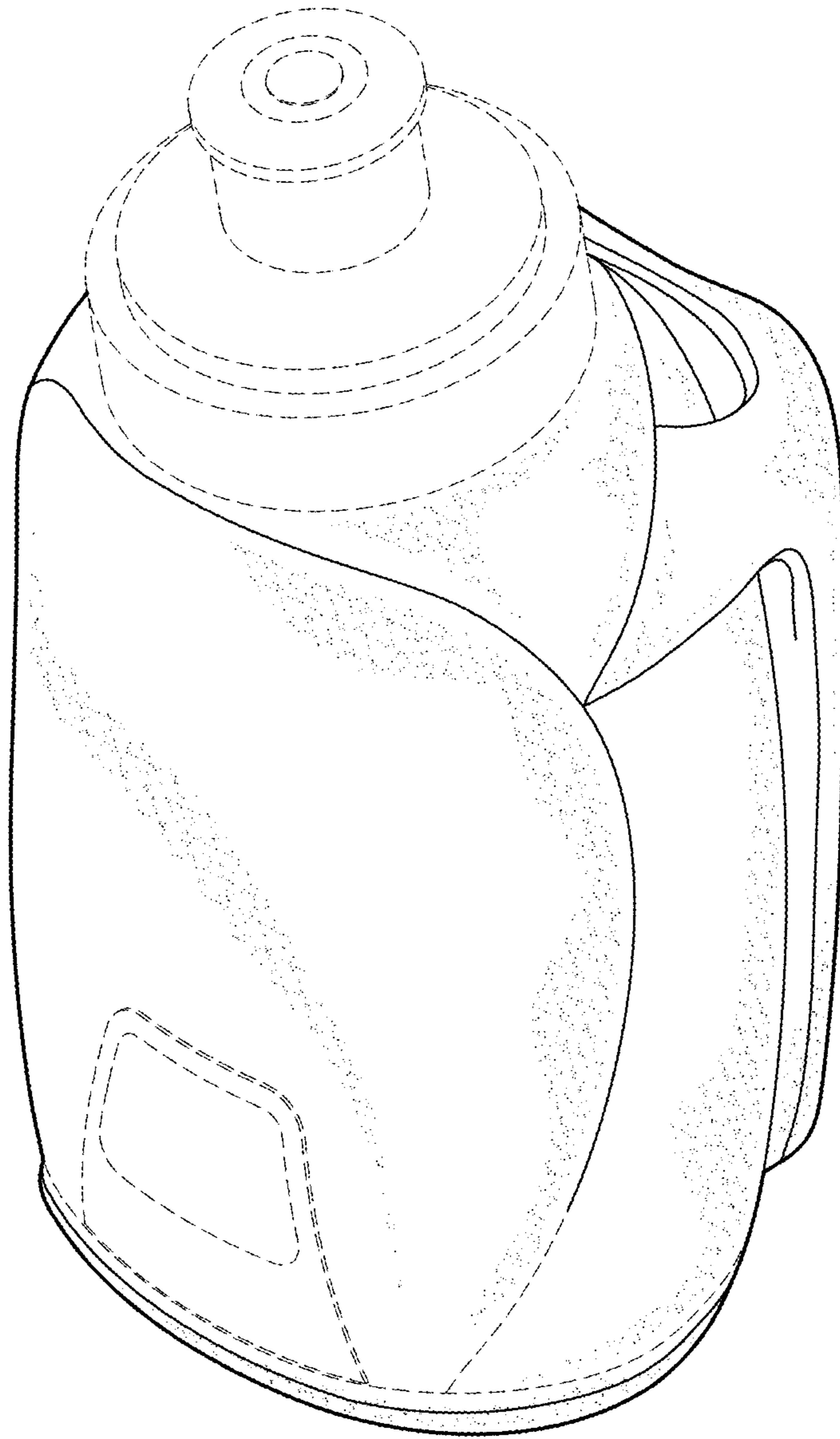


FIG.1

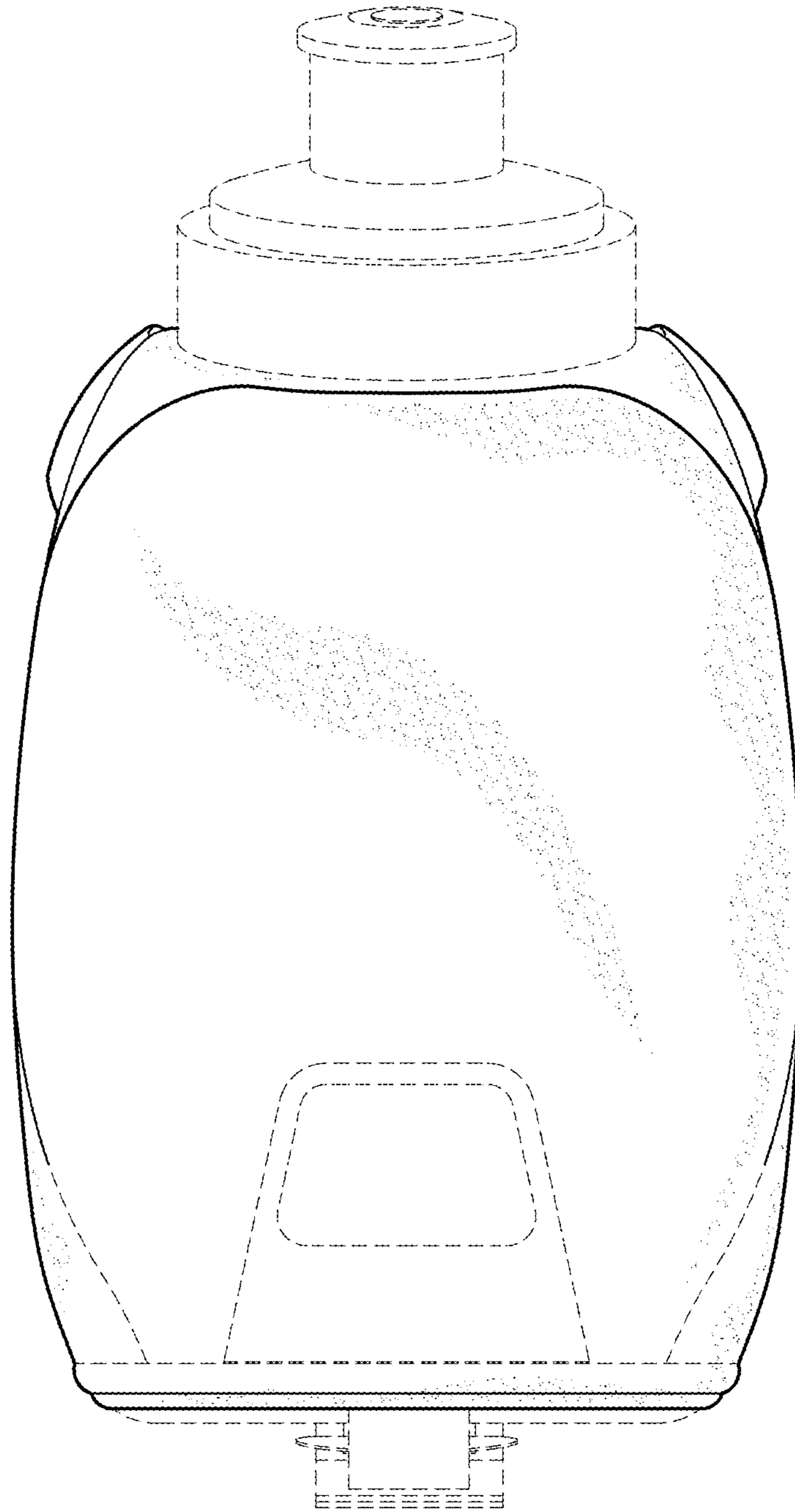


FIG.2

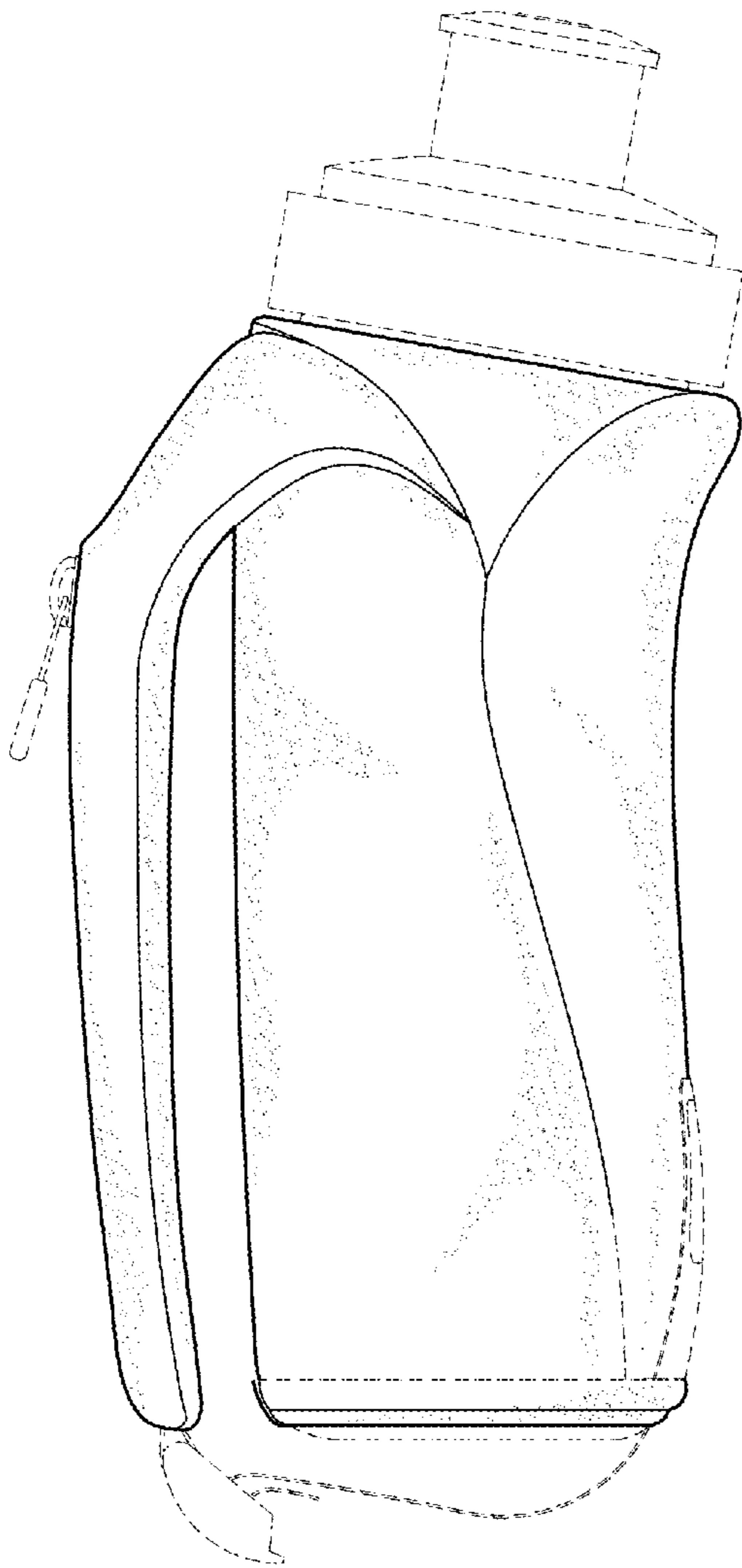


FIG. 3

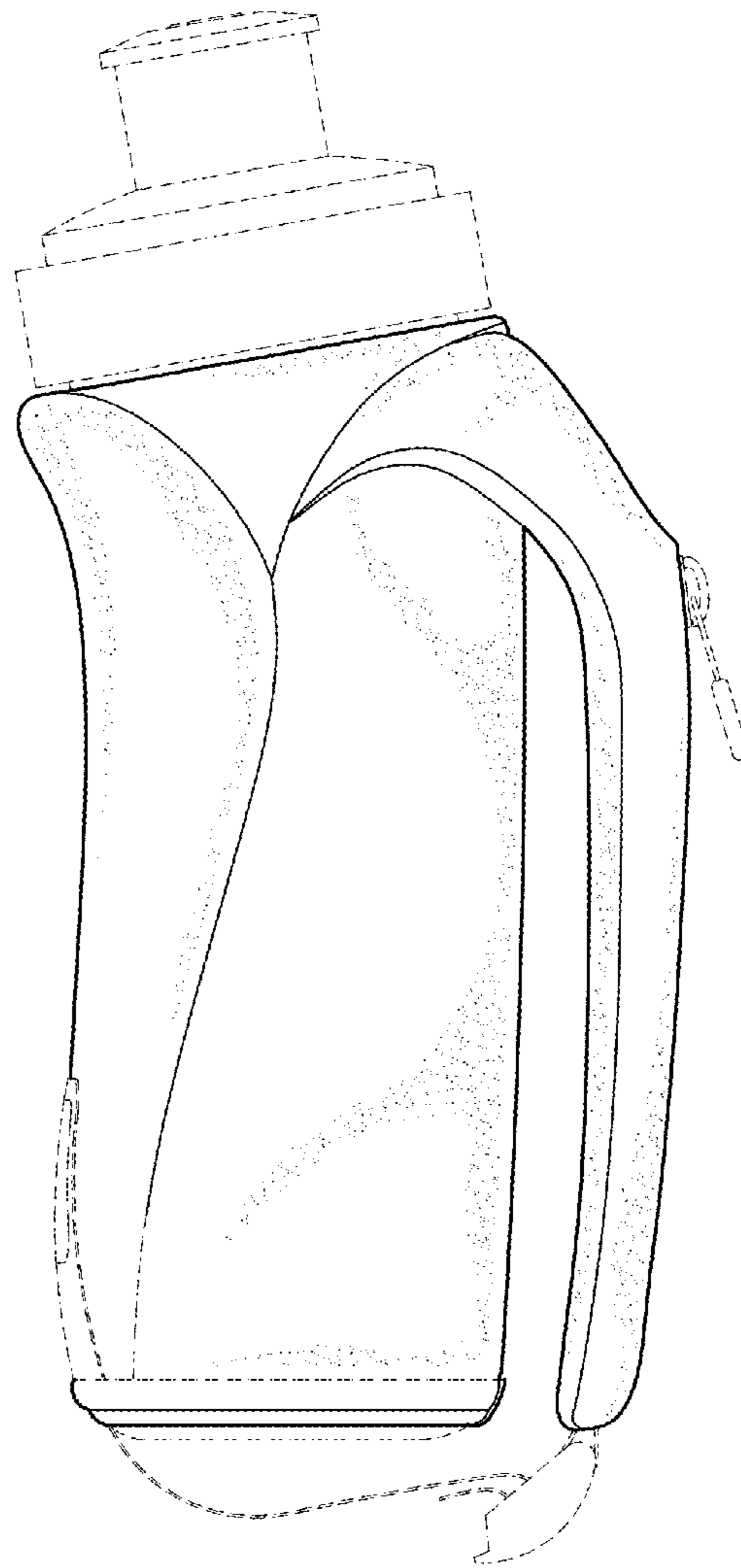


FIG. 4

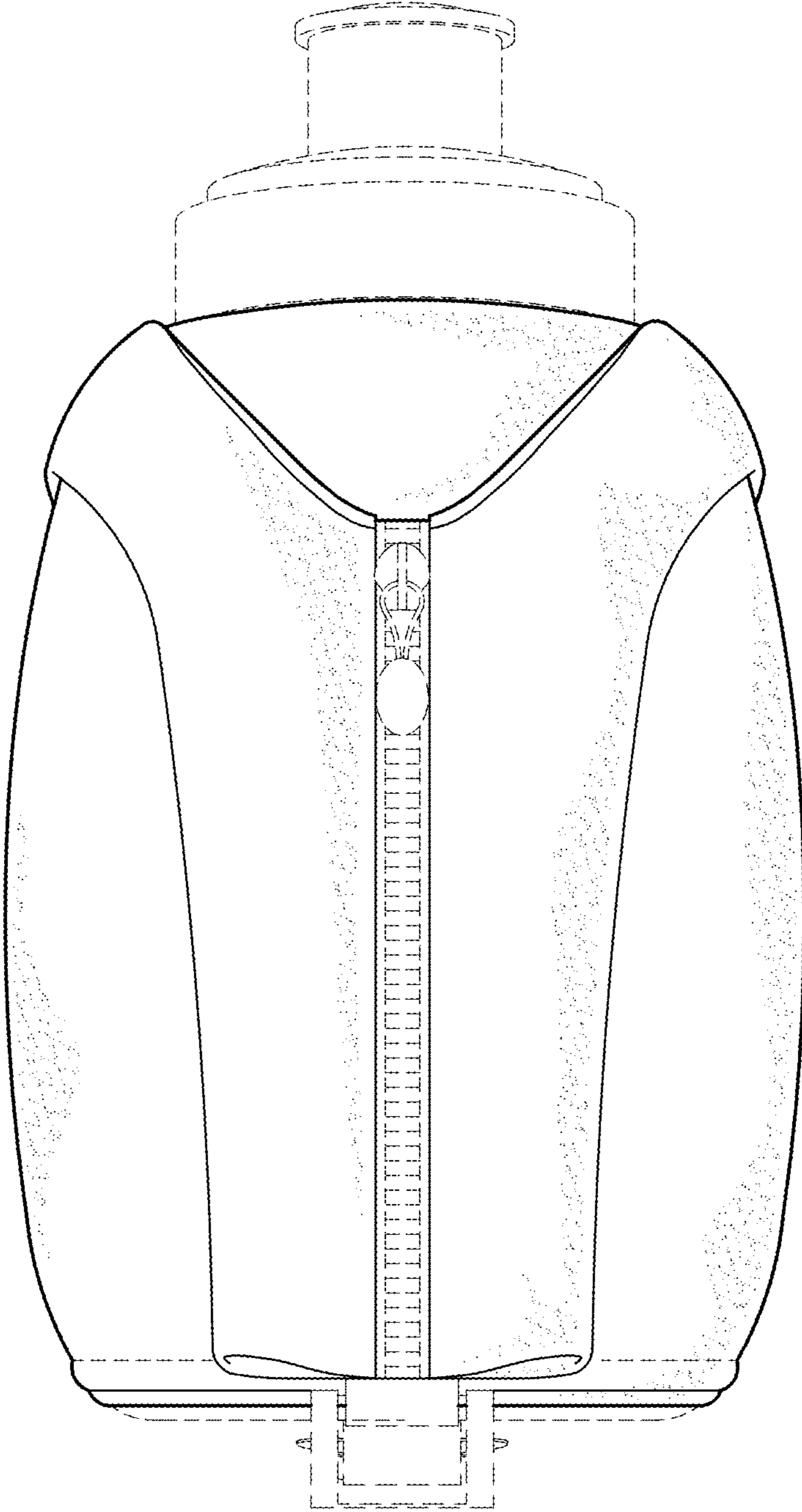


FIG. 5

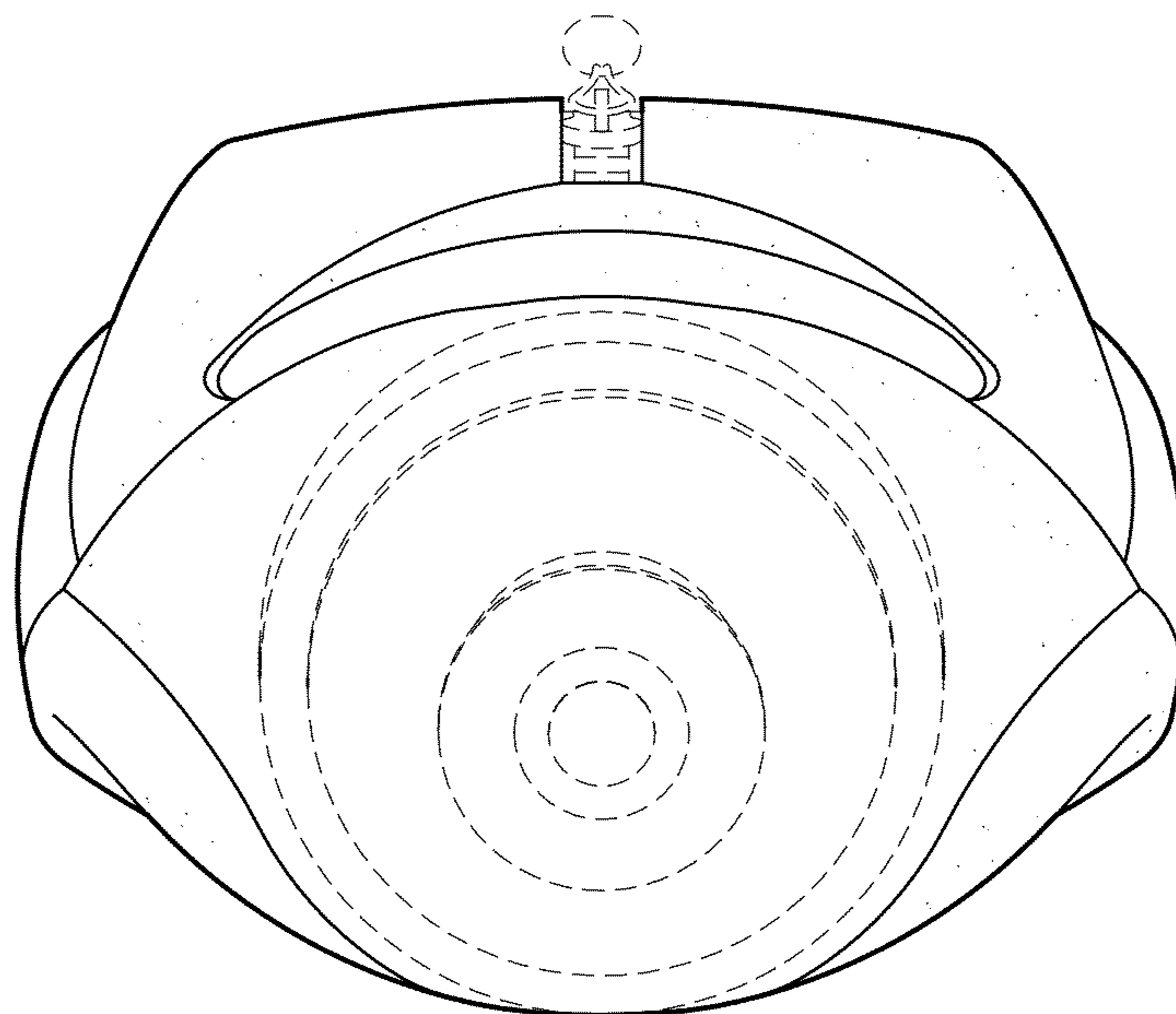


FIG. 6

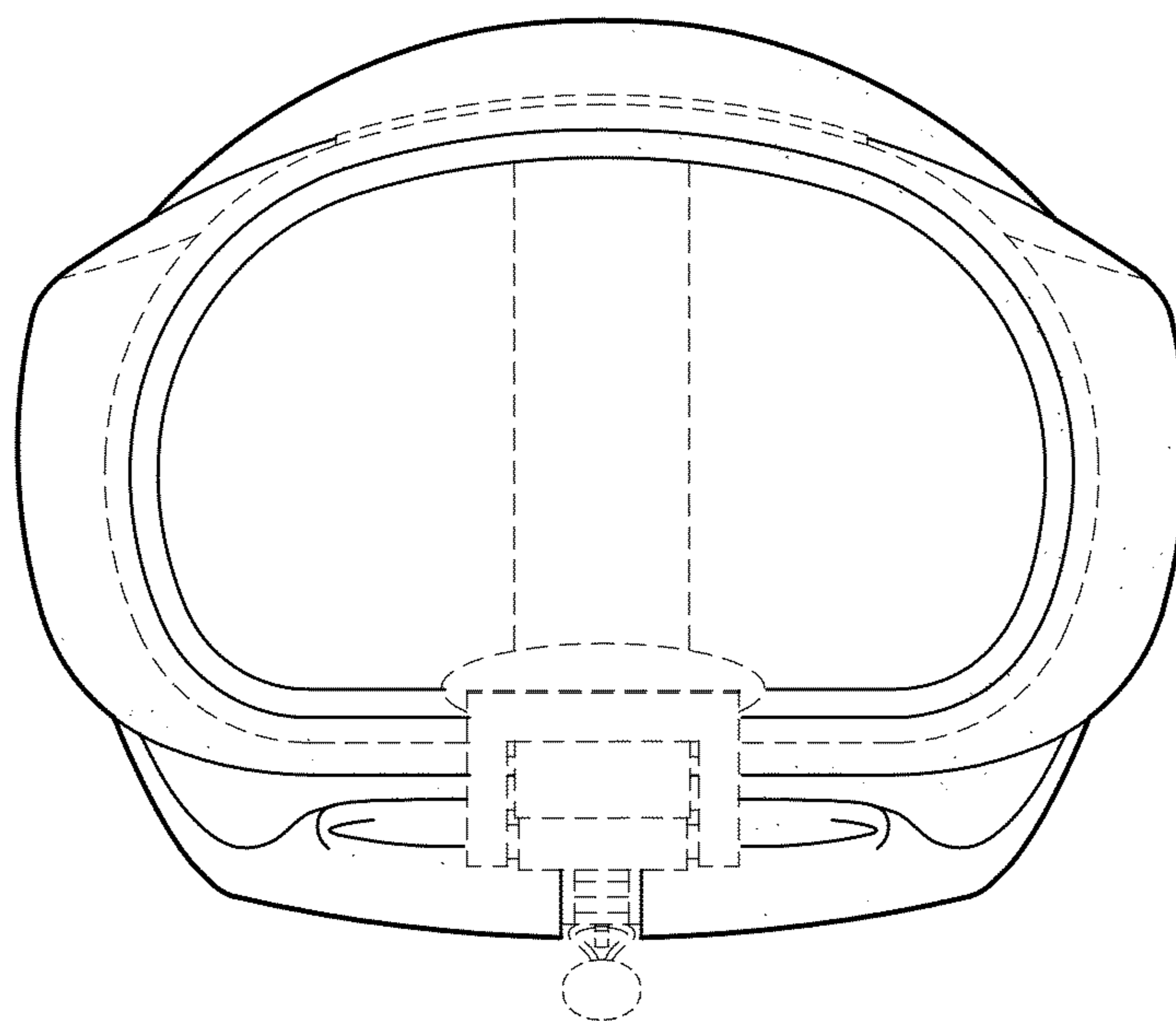


FIG. 7