



US00D681325S

(12) **United States Design Patent**
Makeig et al.

(10) **Patent No.:** **US D681,325 S**

(45) **Date of Patent:** **** May 7, 2013**

(54) **HOLSTER FOR A MOBILE DEVICE**

D641,974 S * 7/2011 Stampfli D3/218
D657,137 S * 4/2012 Weller et al. D3/218
D661,483 S * 6/2012 Weller et al. D3/218

(75) Inventors: **Prem Makeig**, Brooklyn, NY (US);
Rafeh Masood, Bartlett, IL (US); **Jason Hixenbaugh**, Elgin, IL (US)

* cited by examiner

(73) Assignee: **Sears Brands, L.L.C.**, Hoffman Estates, IL (US)

Primary Examiner — Catheri Oliver-Garcia
(74) *Attorney, Agent, or Firm* — McAndrews, Held & Malloy, Ltd.

(**) Term: **14 Years**

(21) Appl. No.: **29/423,926**

(57) **CLAIM**

What is claimed is the ornamental design for a holster for a mobile device, as shown and described.

(22) Filed: **Jun. 6, 2012**

(51) **LOC (9) Cl.** **03-01**

(52) **U.S. Cl.**

USPC **D3/218**

(58) **Field of Classification Search** D3/218,
D3/201, 215, 219, 272–273; 224/240–241,
224/245, 578, 667, 683, 929–930; D14/138,
D14/250, 253, 345, 432, 439–440, 217; 379/437,
379/440, 446–447, 449–455; 455/575.1–575.8
See application file for complete search history.

DESCRIPTION

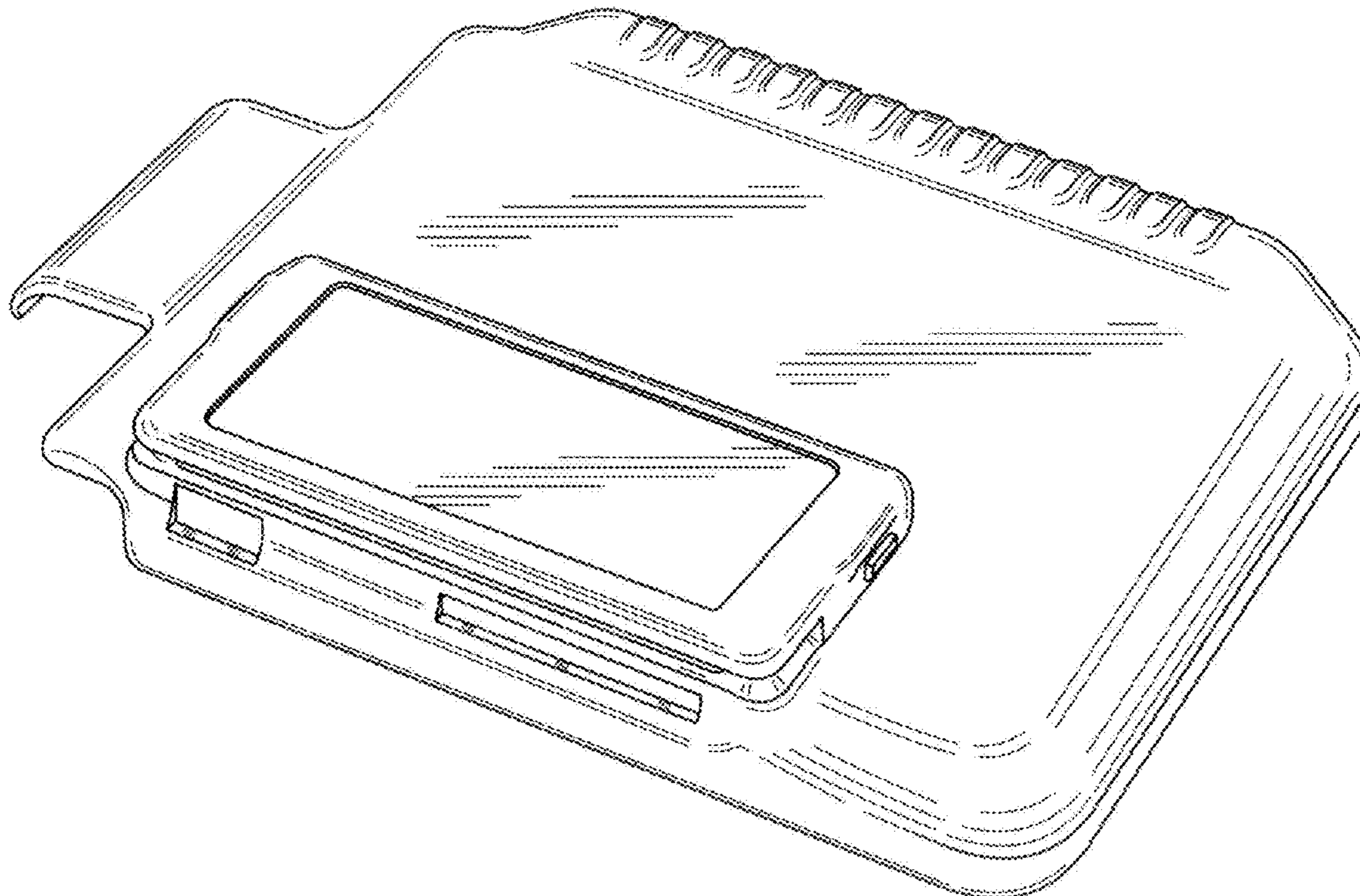
FIG. 1 is a right top perspective view of a holster for a mobile device showing our new design;
FIG. 2 is a left front perspective view thereof;
FIG. 3 is a front elevational view thereof;
FIG. 4 is a rear elevational view thereof;
FIG. 5 is a bottom plan view thereof;
FIG. 6 is a top plan view thereof;
FIG. 7 is a left side elevational view thereof; and,
FIG. 8 is a right side elevational view thereof.
The elements shown in dotted lines are provided for illustrative purposes only and form no part of the design claimed.

(56) **References Cited**

U.S. PATENT DOCUMENTS

D369,465 S * 5/1996 Scheid et al. D3/218
D565,290 S * 4/2008 Brandenburg et al. D3/218

1 Claim, 6 Drawing Sheets



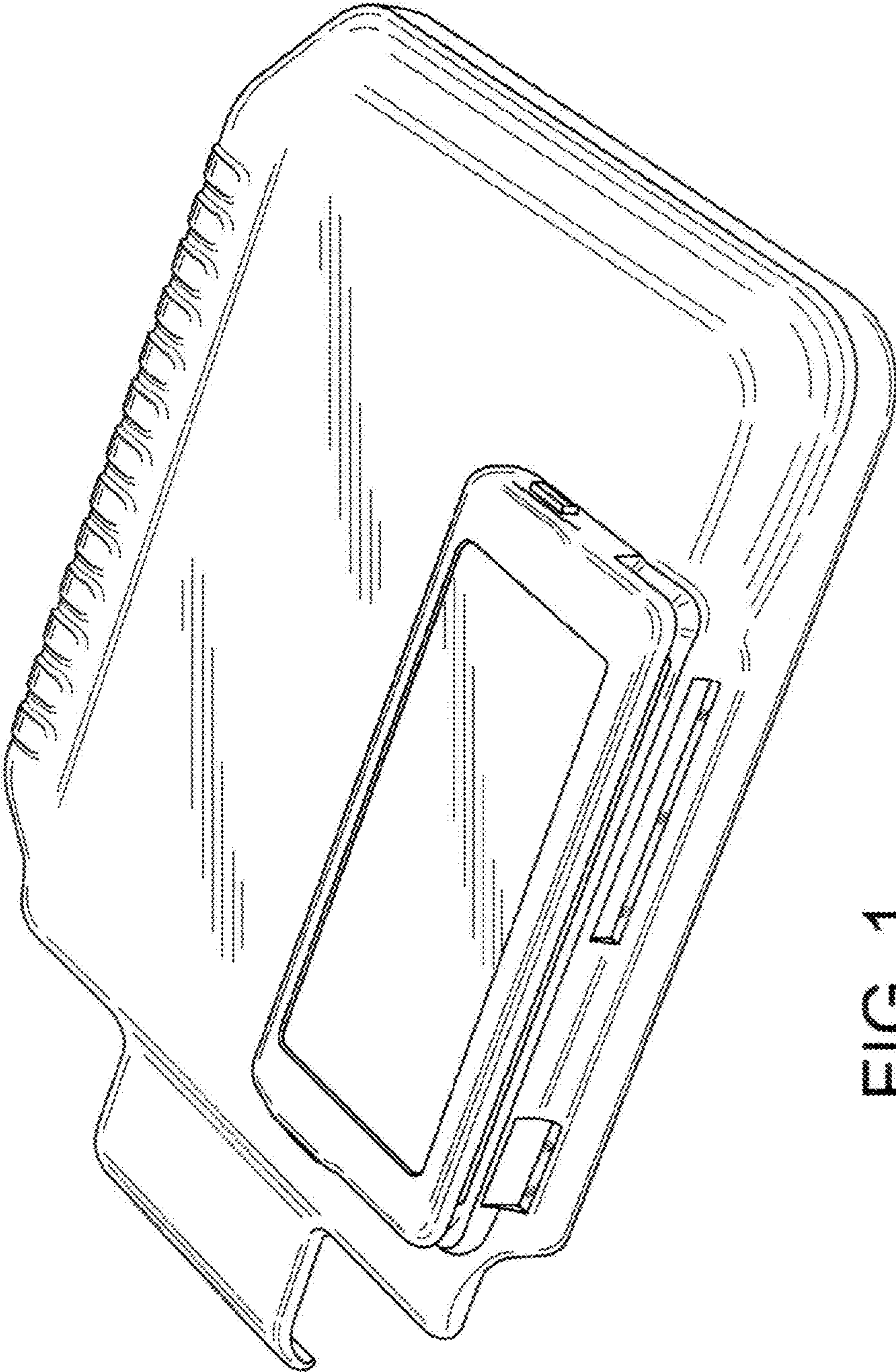


FIG. 1

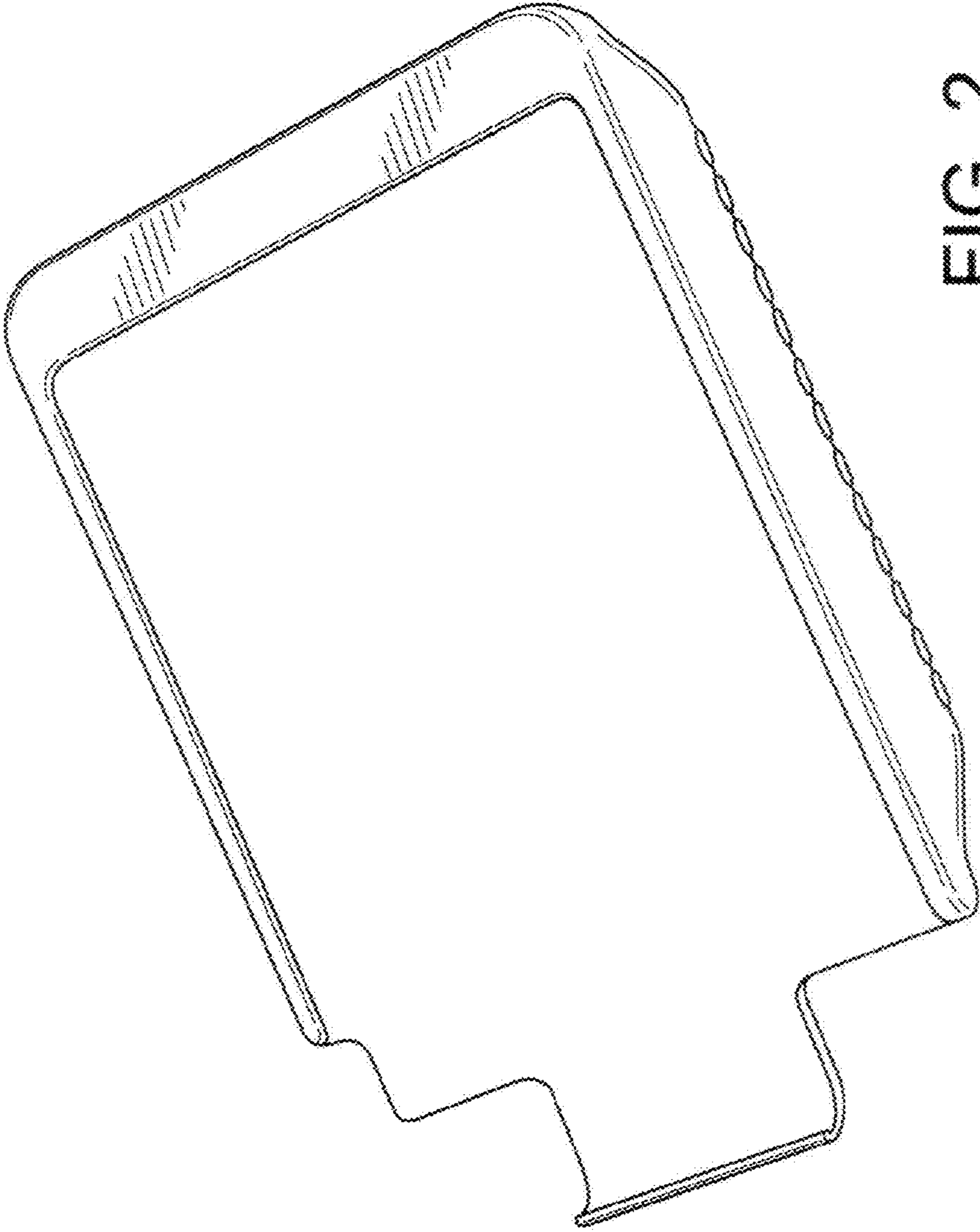


FIG. 2

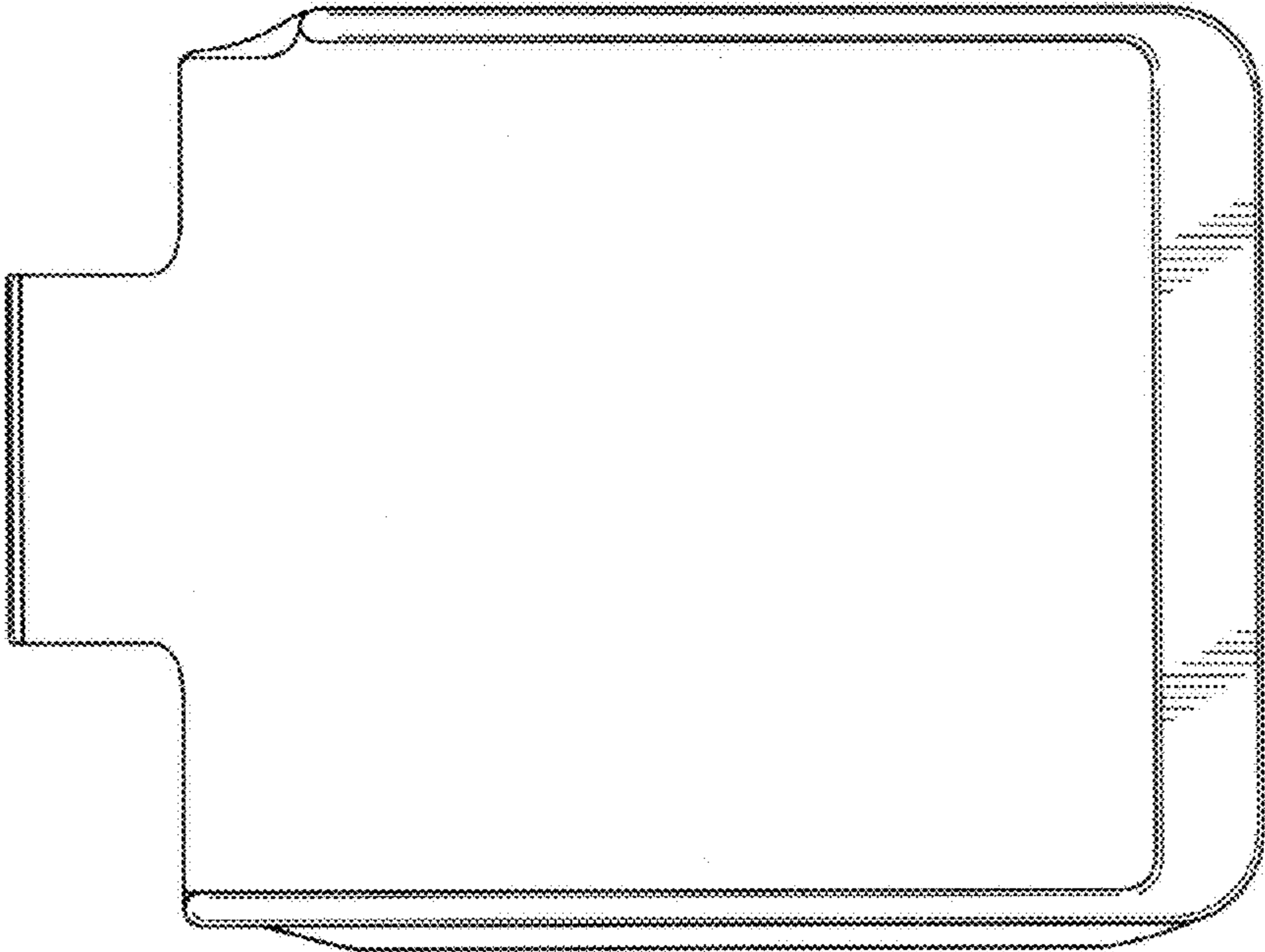


FIG. 3

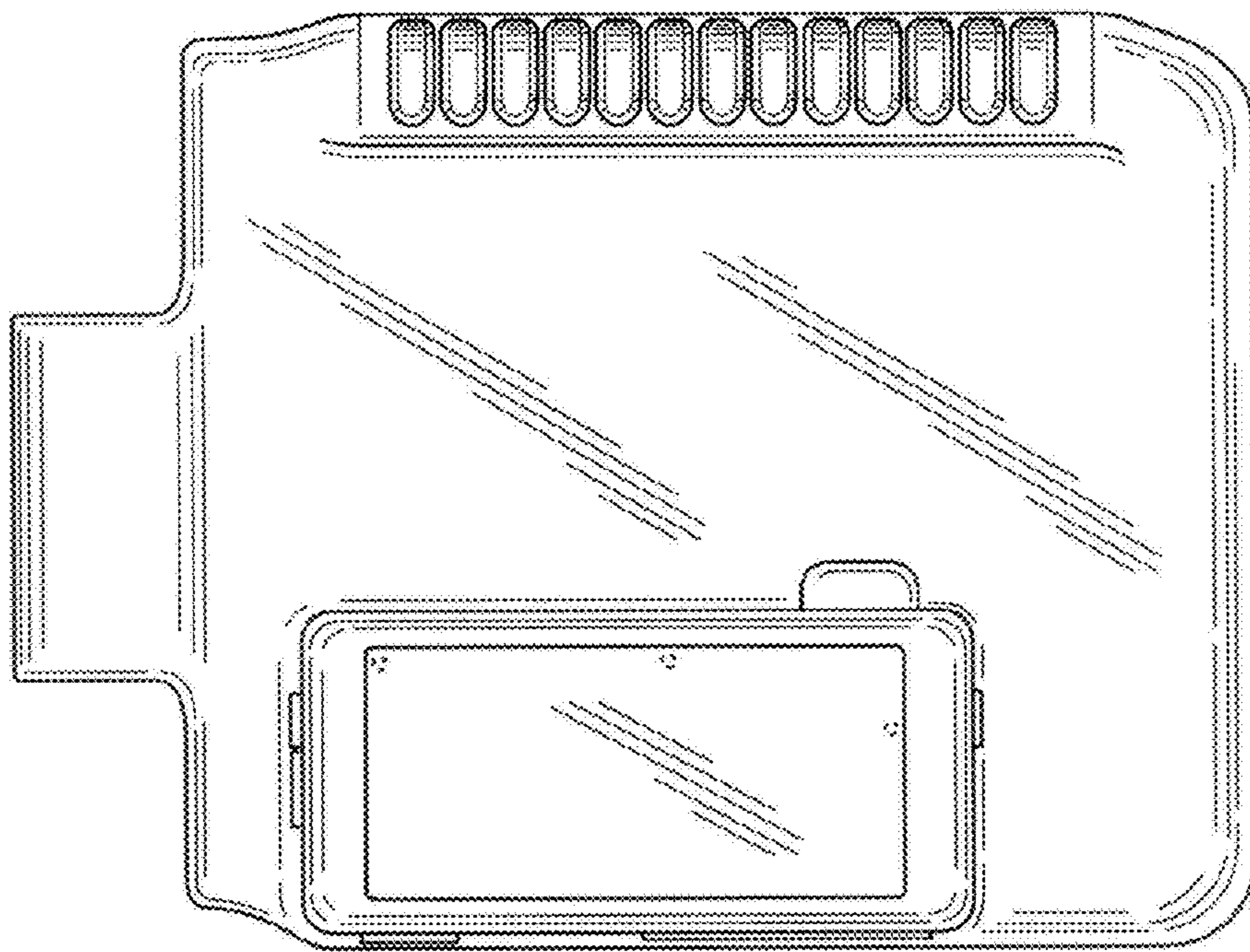


FIG. 4

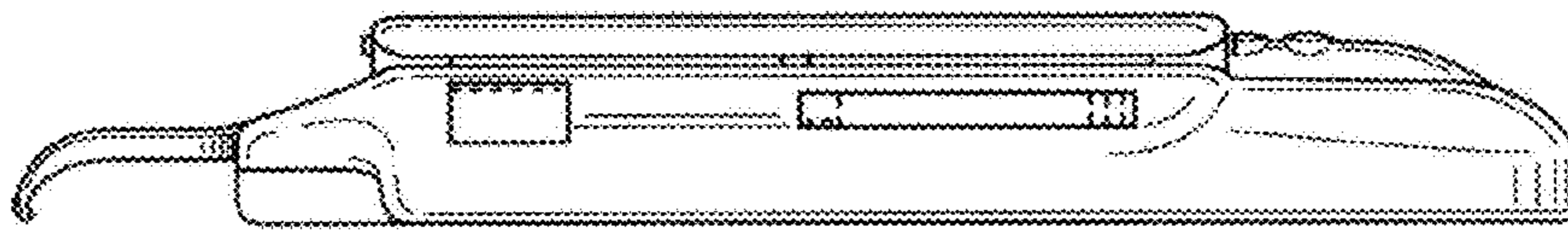


FIG. 6

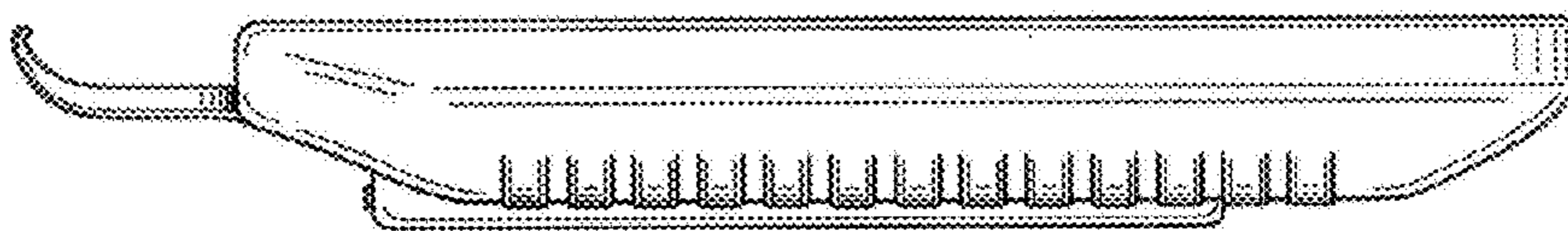


FIG. 5

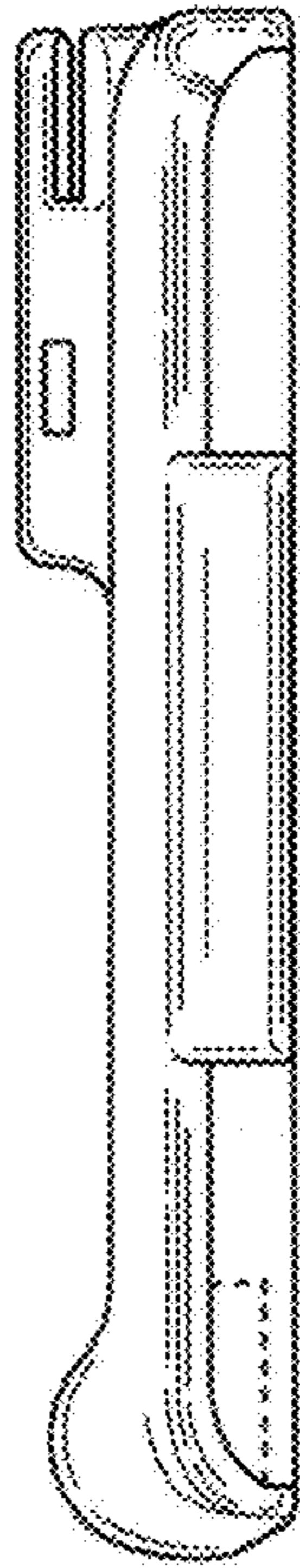


FIG. 7

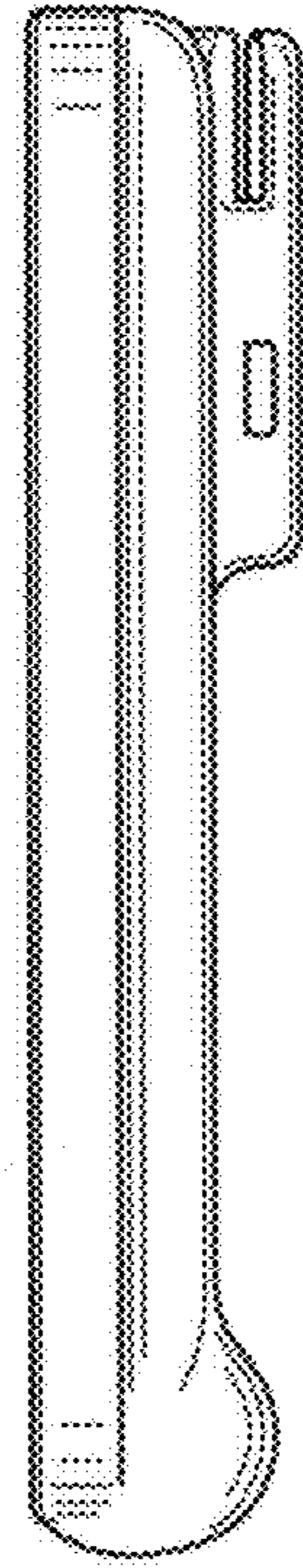


FIG. 8