



US00D681323S

(12) **United States Design Patent**  
**Chin**

(10) **Patent No.:** **US D681,323 S**

(45) **Date of Patent:** **\*\* May 7, 2013**

(54) **UMBRELLA CARRIER**

(76) Inventor: **Penny Chin**, Boisbriand (CA)

(\*\*) Term: **14 Years**

(21) Appl. No.: **29/404,766**

(22) Filed: **Oct. 25, 2011**

**Related U.S. Application Data**

(62) Division of application No. 13/267,549, filed on Oct. 6, 2011.

(51) **LOC (9) Cl.** ..... **03-01**

(52) **U.S. Cl.**  
USPC ..... **D3/11**

(58) **Field of Classification Search** ..... D3/5, 6,  
D3/10, 11, 12; 135/15.1, 19.5, 25.41, 33.41,  
135/34.2

See application file for complete search history.

(56) **References Cited**

**U.S. PATENT DOCUMENTS**

|           |   |   |         |             |       |          |
|-----------|---|---|---------|-------------|-------|----------|
| D140,671  | S | * | 3/1945  | Pascal      | ..... | D6/553   |
| 3,379,201 | A | * | 4/1968  | Lynch       | ..... | 135/34.2 |
| 4,558,807 | A |   | 12/1985 | Jackson     |       |          |
| D321,088  | S | * | 10/1991 | Waters, Jr. | ..... | D3/11    |
| D380,085  | S |   | 6/1997  | Ramsey      |       |          |
| D450,919  | S |   | 11/2001 | Lee         |       |          |
| D512,559  | S | * | 12/2005 | Silverman   | ..... | D3/11    |

**FOREIGN PATENT DOCUMENTS**

|    |  |         |    |         |
|----|--|---------|----|---------|
| DE |  | 3524855 | A1 | 12/1985 |
| DE |  | 8713140 | U1 | 11/1987 |
| FR |  | 2811871 | A1 | 1/2002  |
| GB |  | 2391469 | B  | 2/2004  |
| JP |  | 9084618 | A  | 3/1997  |

**OTHER PUBLICATIONS**

English language abstract of DE 3524855 extracted from espacenet.com database dated Sep. 26, 2011; 1 page.

English language abstract of JP 9084618 extracted from espacenet.com database dated Sep. 26, 2011; 1 page.

English language abstract of FR 2811871 extracted from espacenet.com database dated Sep. 26, 2011; 2 pages.

\* cited by examiner

*Primary Examiner* — John Windmuller

(74) *Attorney, Agent, or Firm* — Howard & Howard Attorneys PLLC

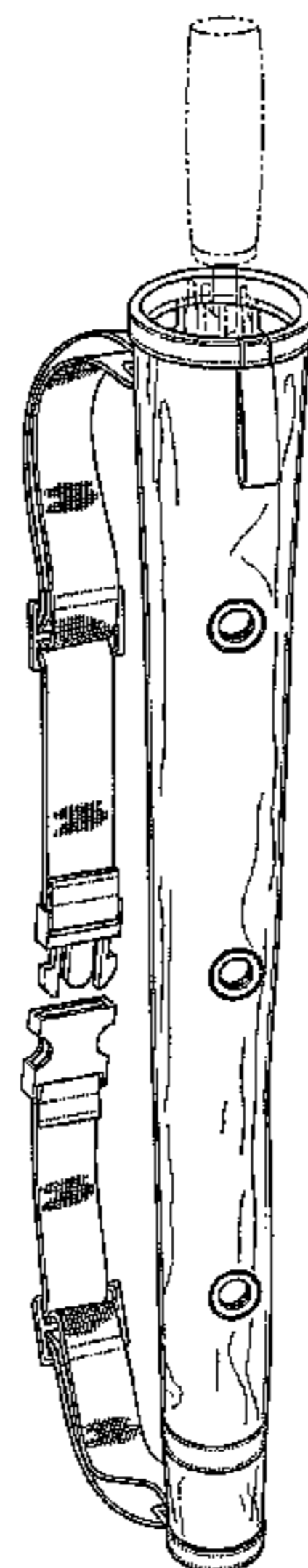
(57) **CLAIM**

The ornamental design for an umbrella carrier, as shown and described.

**DESCRIPTION**

FIG. 1 is a front perspective view of an umbrella carrier showing upper and lower sections of strap assembly in a position different than the position shown in FIGS. 3-6; FIG. 2 is a front view of the umbrella carrier of FIG. 1; FIG. 3 is a left side elevational view of the umbrella carrier of FIG. 2. The right side elevational view of the umbrella carrier of FIG. 2 is a minor image of the view shown in FIG. 3; FIG. 4 is a rear view of the umbrella carrier of FIG. 2; FIG. 5 is a top view of the umbrella carrier of FIG. 2 with broken lines indicating structure that forms no part of the claimed design; and, FIG. 6 is a bottom view of the umbrella carrier of FIG. 2. Broken lines indicate structure that is for illustrative purposes only and forms no part of the claimed design. In particular, FIGS. 1-4 show an umbrella in broken lines (inside the carrier with handle sticking out) for illustrative purposes only. The other broken lines that are not illustrating the umbrella are intended to indicate stitching. The difference between the broken lines showing unclaimed subject matter and the broken lines showing stitching is the stitching is represented by equal length dashes, while the unclaimed umbrella is represented by different length dashes.

**1 Claim, 3 Drawing Sheets**



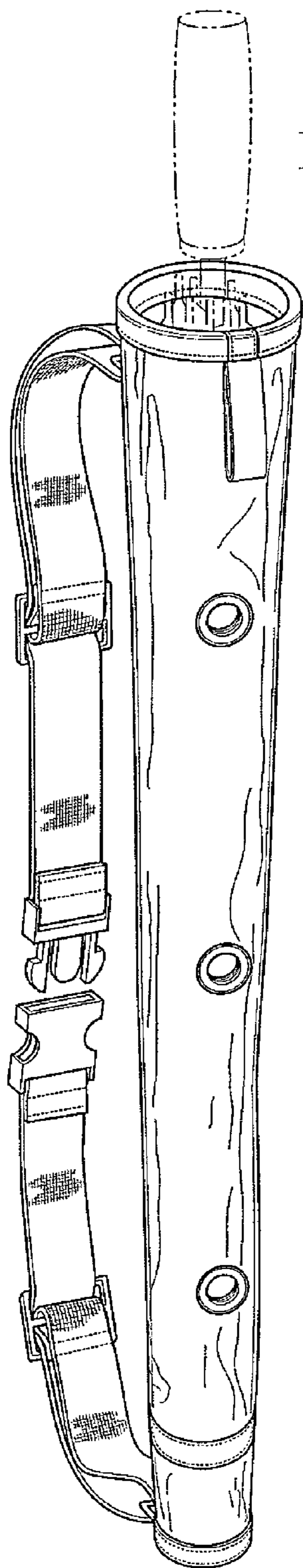


FIG. 1

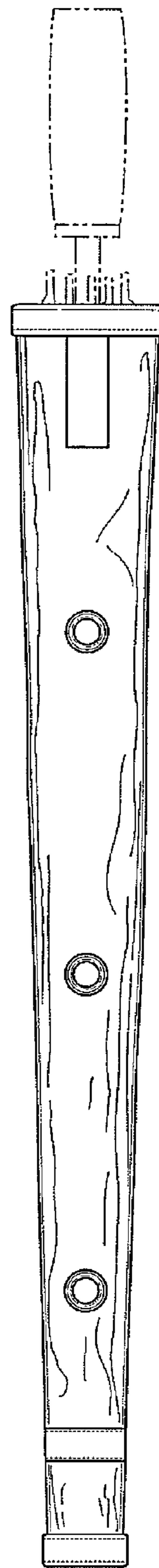


FIG. 2

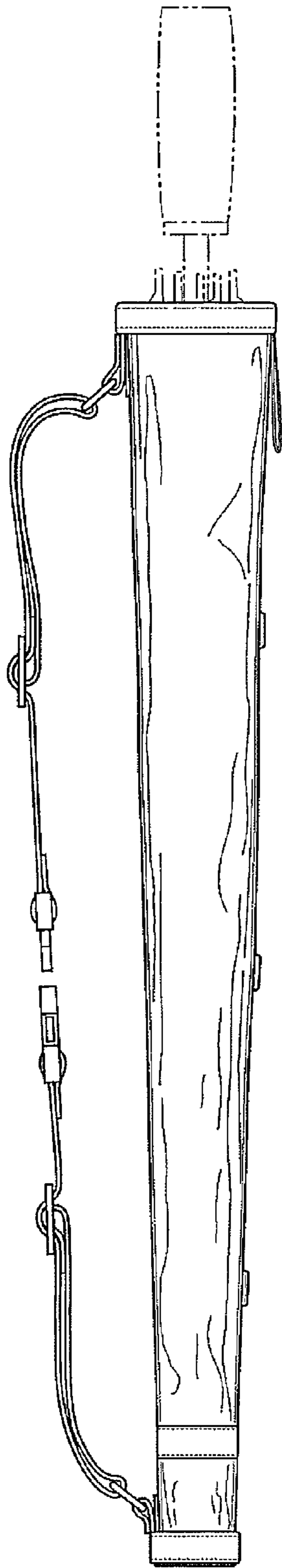


FIG. 3

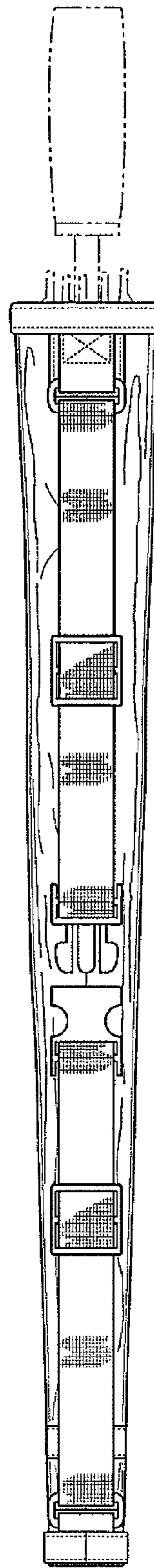
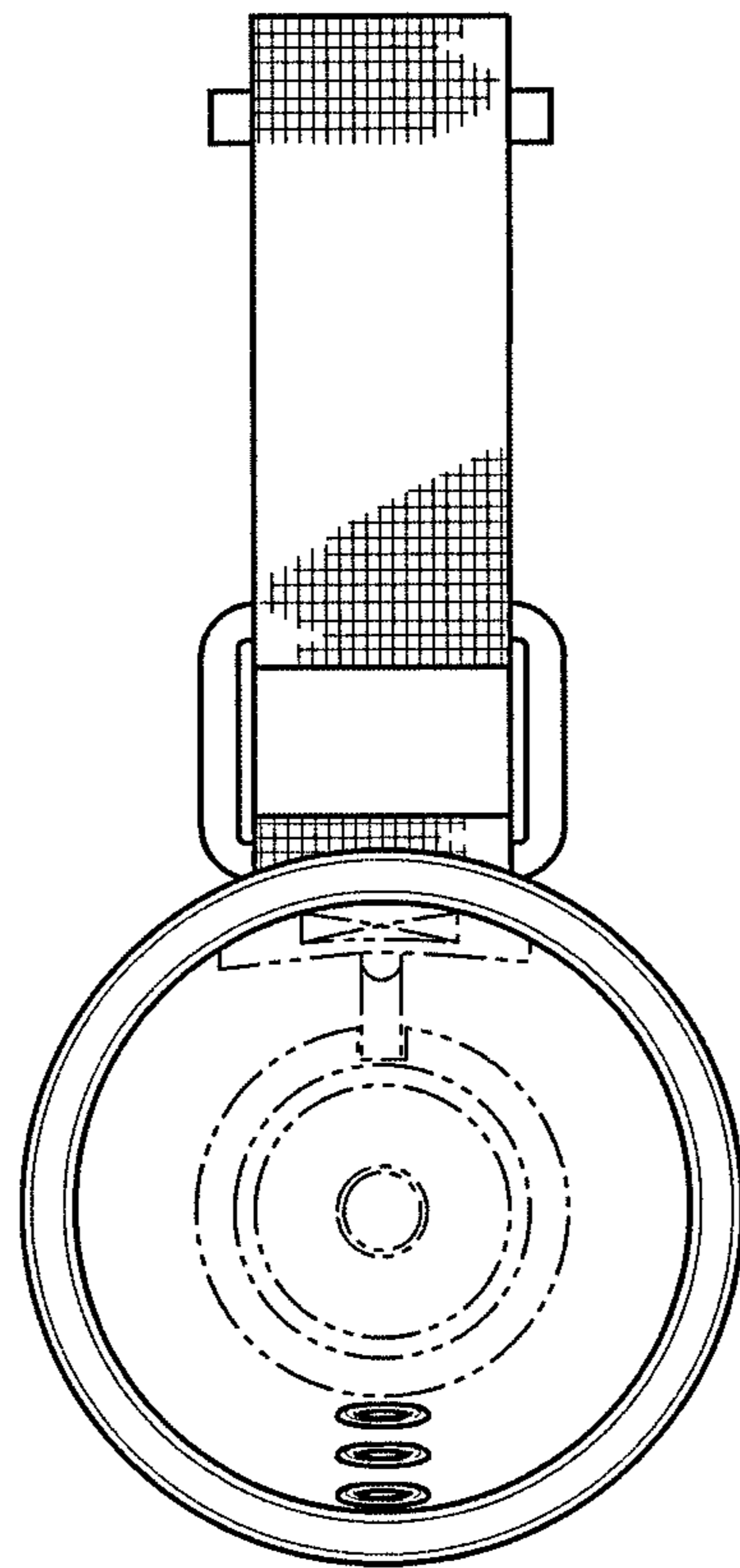
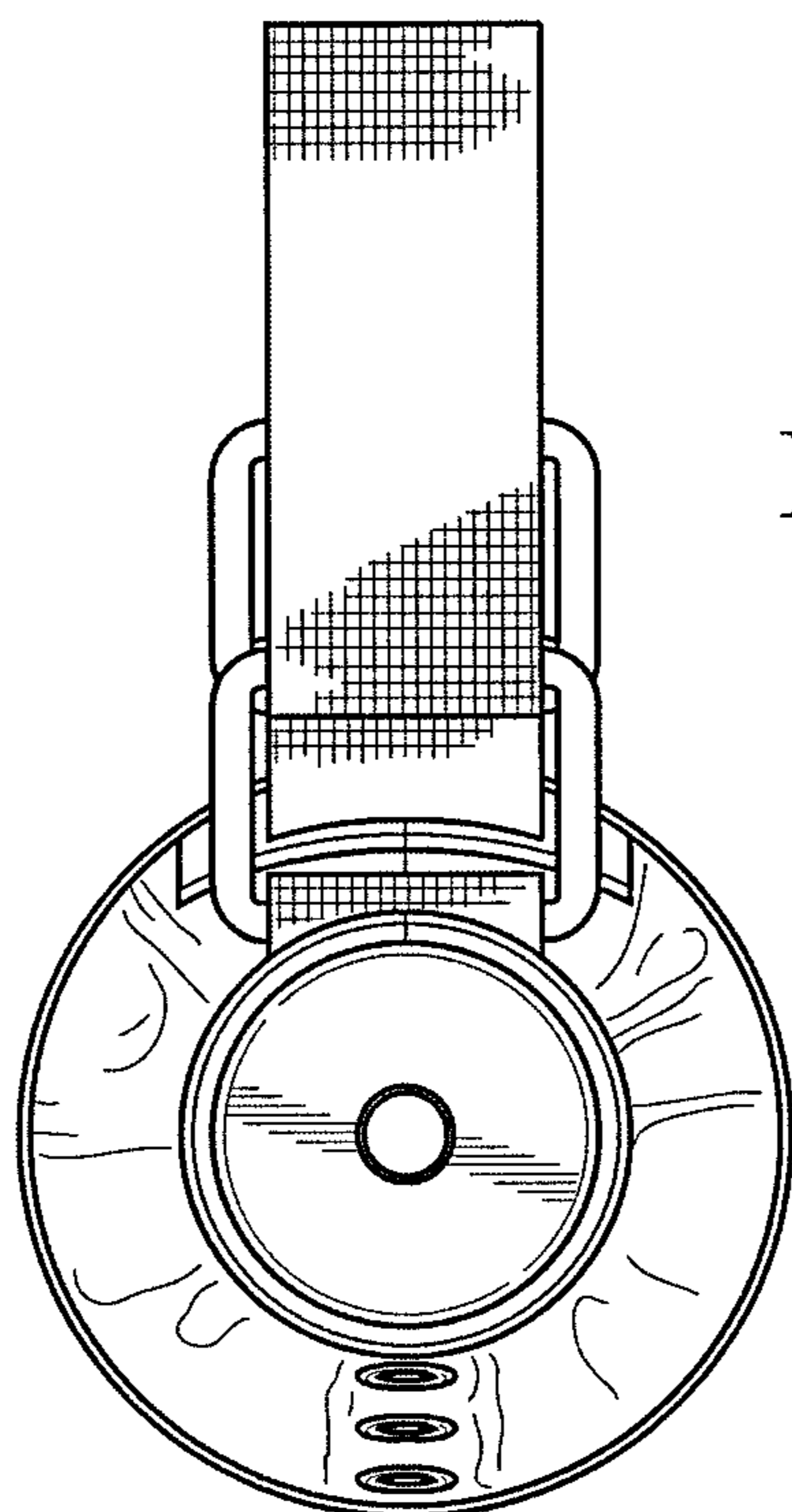


FIG. 4



**FIG. 5**



**FIG. 6**