



US00D681322S

(12) **United States Design Patent**  
**Nunez**

(10) **Patent No.:** **US D681,322 S**

(45) **Date of Patent:** **\*\* May 7, 2013**

(54) **BASEBALL-BAT-SHAPED CRUTCHES**

*Primary Examiner* — T. Chase Nelson

*Assistant Examiner* — Ania Aman

(76) Inventor: **Genia Ivelisse Nunez**, Bronx, NY (US)

(\*\*) Term: **14 Years**

(57) **CLAIM**

I claim the ornamental design for a baseball bat-shaped crutches, as shown and described.

(21) Appl. No.: **29/374,133**

**DESCRIPTION**

(22) Filed: **Jul. 7, 2011**

(51) **LOC (9) Cl.** ..... **03-03**

(52) **U.S. Cl.**  
USPC ..... **D3/8**

(58) **Field of Classification Search** ..... D3/5-17;  
135/66-69, 72, 74, 75; D21/725, 780  
See application file for complete search history.

FIG. 1 is a left elevation view of an embodiment of the baseball bat-shaped crutches showing my new design;  
FIG. 2 is a right elevation view of the baseball bat-shaped crutches;  
FIG. 3 is a front perspective view of the baseball bat-shaped crutches;  
FIG. 4 is a bottom view of the baseball bat-shaped crutches;  
FIG. 5 is a top view of the baseball bat-shaped crutches;  
FIG. 6 is a back view of the baseball bat-shaped crutches; and,  
FIG. 7 is a front view of the baseball bat-shaped crutches.  
The broken lines depict portions of the baseball bat-shaped crutches that form no part of the claimed design.

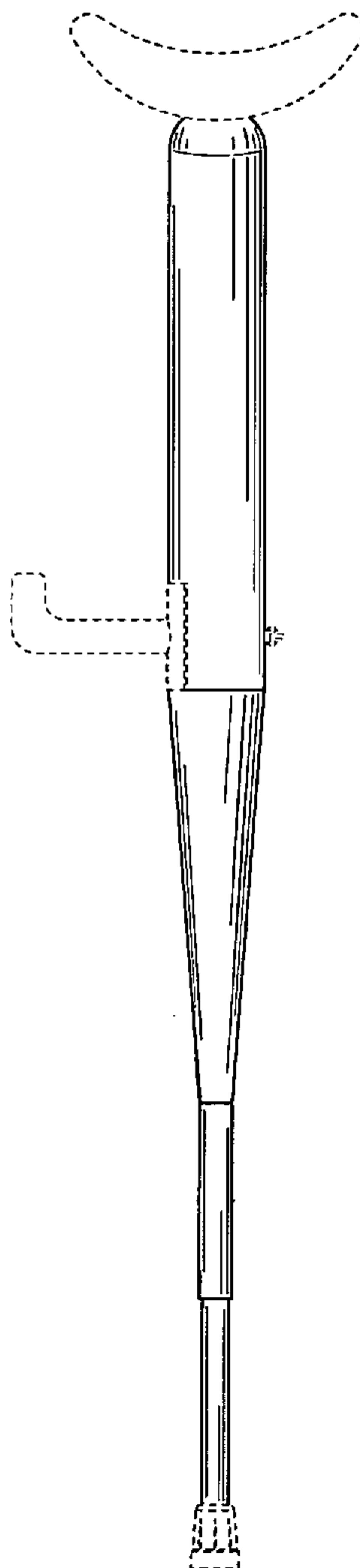
(56) **References Cited**

**U.S. PATENT DOCUMENTS**

D343,950 S \* 2/1994 Just ..... D3/6  
D554,851 S \* 11/2007 Carroll ..... D3/6

\* cited by examiner

**1 Claim, 2 Drawing Sheets**



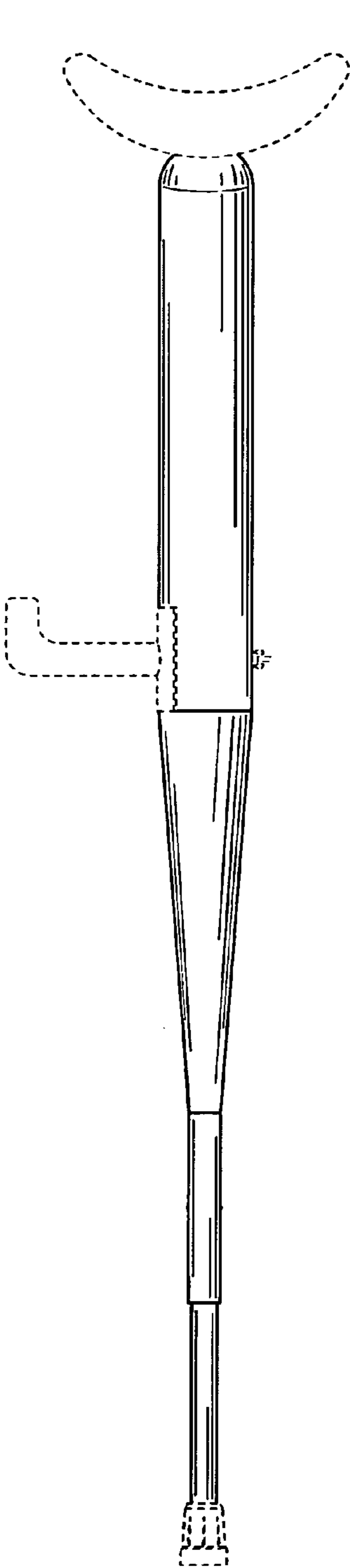


FIG. 1

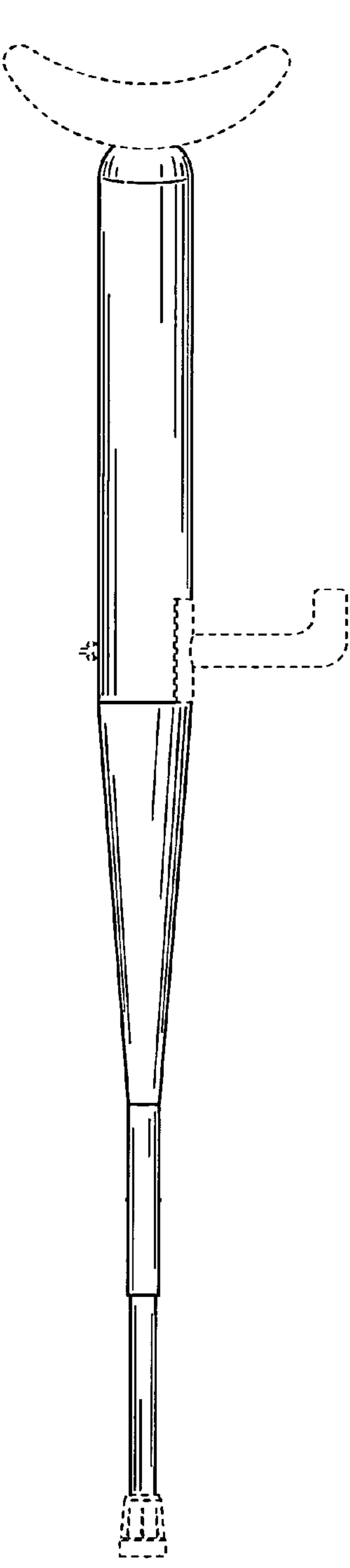


FIG. 2

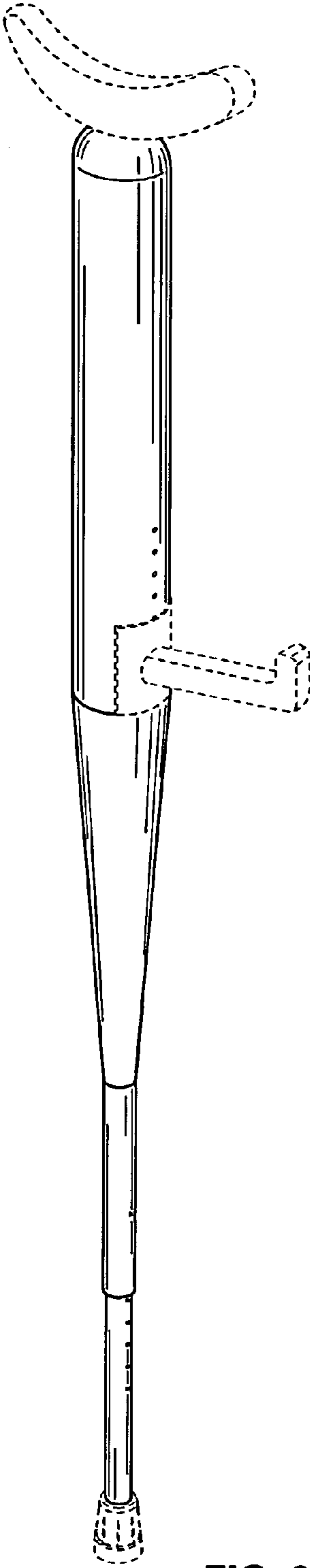


FIG. 3

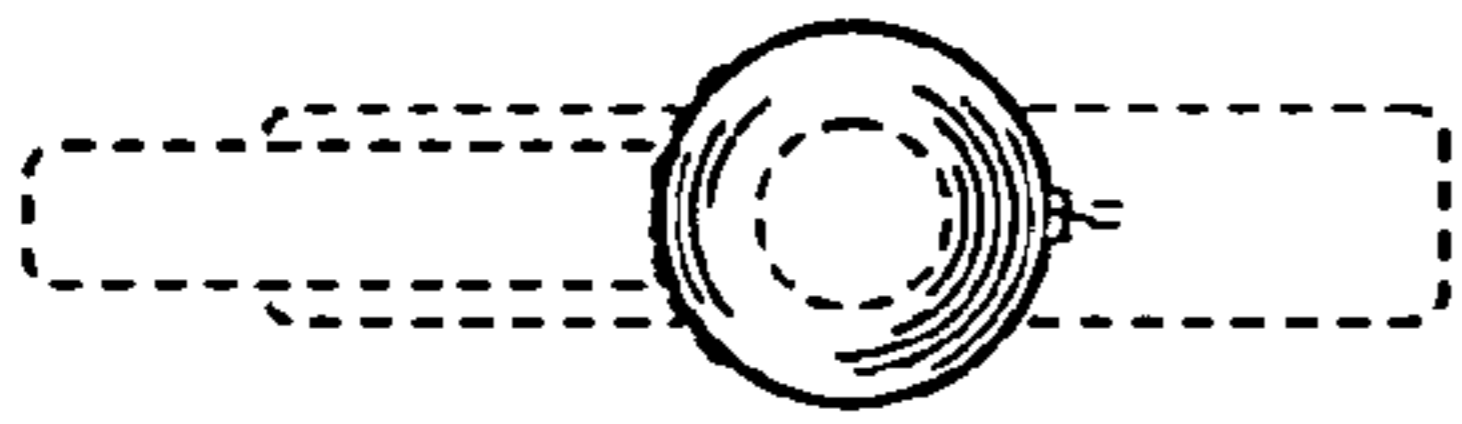


FIG. 4

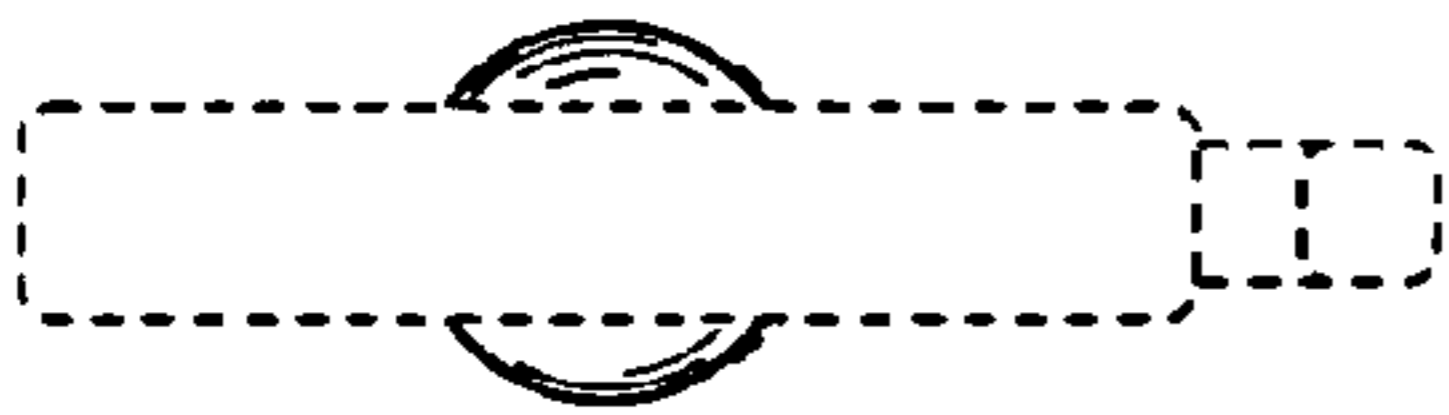


FIG. 5

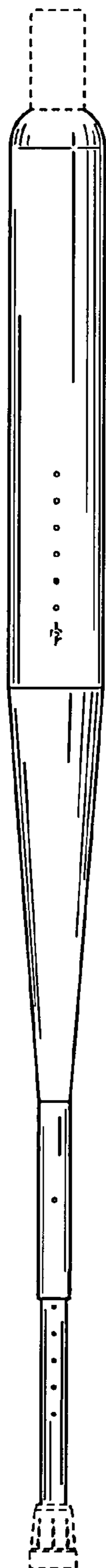


FIG. 6



FIG. 7