



US00D681318S

(12) **United States Design Patent**
Ike

(10) **Patent No.:** **US D681,318 S**

(45) **Date of Patent:** **** May 7, 2013**

(54) **SANDAL UPPER WITH
MAGNETICALLY-ATTACHABLE ACRYLIC
ORNAMENT**

(76) Inventor: **Felix Ike**, Orem, UT (US)

(**) Term: **14 Years**

(21) Appl. No.: **29/402,734**

(22) Filed: **Sep. 26, 2011**

(51) **LOC (9) Cl.** **02-04**

(52) **U.S. Cl.**
USPC **D2/917**

(58) **Field of Classification Search** D2/896–900,
D2/903, 916–925, 943, 946, 953, 961, 969;
36/45, 50.1, 112, 113, 136, 3 A, 7.4, 7.5,
36/7.6, 11.5, 8.1

See application file for complete search history.

(56) **References Cited**

U.S. PATENT DOCUMENTS

D187,781 S *	5/1960	Hayakawa	D2/917
D375,702 S *	11/1996	Regan	D11/81
D433,956 S *	11/2000	Mathews	D11/56
D450,177 S *	11/2001	Boncutter	D2/917
D478,713 S *	8/2003	Scheurer	D2/917
D483,930 S *	12/2003	Scheurer	D2/917
6,769,204 B1 *	8/2004	Phillips	36/136
D506,304 S *	6/2005	Chiang	D2/917
D521,213 S *	5/2006	Mouchi et al.	D2/946
D523,214 S *	6/2006	Mouchi et al.	D2/946
D532,186 S *	11/2006	Boschock	D2/946
D554,847 S *	11/2007	Schmelzer et al.	D2/976
7,481,008 B2 *	1/2009	Lusk	36/100
D604,482 S *	11/2009	Fletcher	D2/917

* cited by examiner

Primary Examiner — Robert M Spear

Assistant Examiner — Rashida C McCoy

(74) *Attorney, Agent, or Firm* — Angus C. Fox, III

(57) **CLAIM**

The ornamental design for a sandal upper with magnetically-attachable acrylic ornament, as shown and described.

DESCRIPTION

FIG. 1 is a top plan view of the sandal upper embodying the new design, with no acrylic ornament attached;
 FIG. 2 is a left-side elevational view thereof;
 FIG. 3 is a front elevational view thereof;
 FIG. 4 is a rear elevational view thereof;
 FIG. 5 is a right-side elevational view thereof showing an acrylic ornament positioned for attachment thereto;
 FIG. 6 is a top plan view of the sandal upper of FIG. 1 with an acrylic ornament magnetically attached thereto;
 FIG. 7 is a left-side elevational view thereof;
 FIG. 8 is front elevational view thereof;
 FIG. 9 is rear elevational view thereof;
 FIG. 10 is right-side elevational view thereof;
 FIG. 11 is a top plan view of an acrylic ornament having a magnetic base;
 FIG. 12 is a bottom plan view of the acrylic ornament of FIG. 11;
 FIG. 13 is a front elevational view of the acrylic ornament of FIG. 11;
 FIG. 14 is rear elevational view of the acrylic ornament of FIG. 11; and,
 FIG. 15 is front elevational view of the sandal upper with five magnetically-attachable acrylic ornaments alternatively ready for securing to the ferromagnetic attachment plate on the sandal upper, each of the five acrylic ornaments, from the left in clockwise order, having respectively: a miniature butterfly specimen embedded therein; a starfish specimen embedded therein; a four-leaf clover specimen embedded therein; a scorpion specimen embedded therein; and a flow specimen with miniature foliage embedded therein.
 The small dashed lines represent claimed stitching. The dash dot dot dash lines illustrate environmental structure and form no part of the claimed design.

1 Claim, 5 Drawing Sheets

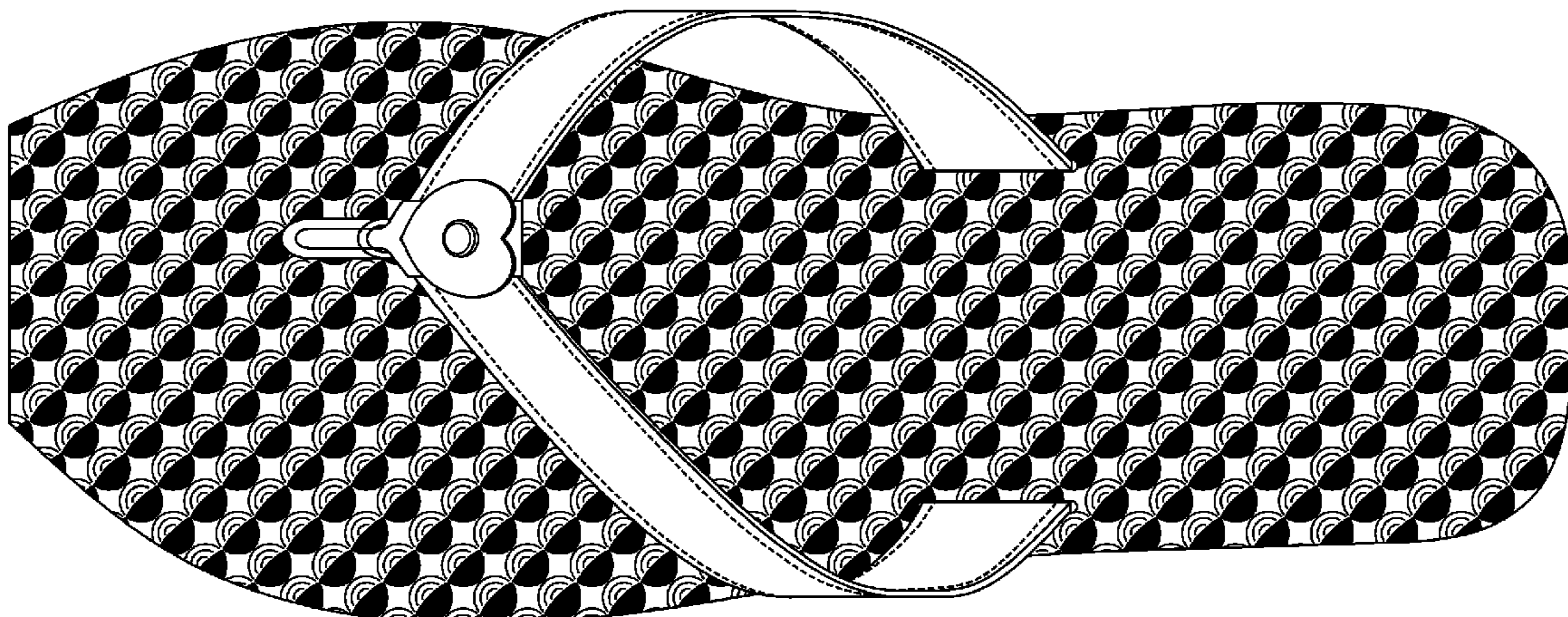


FIG. 1

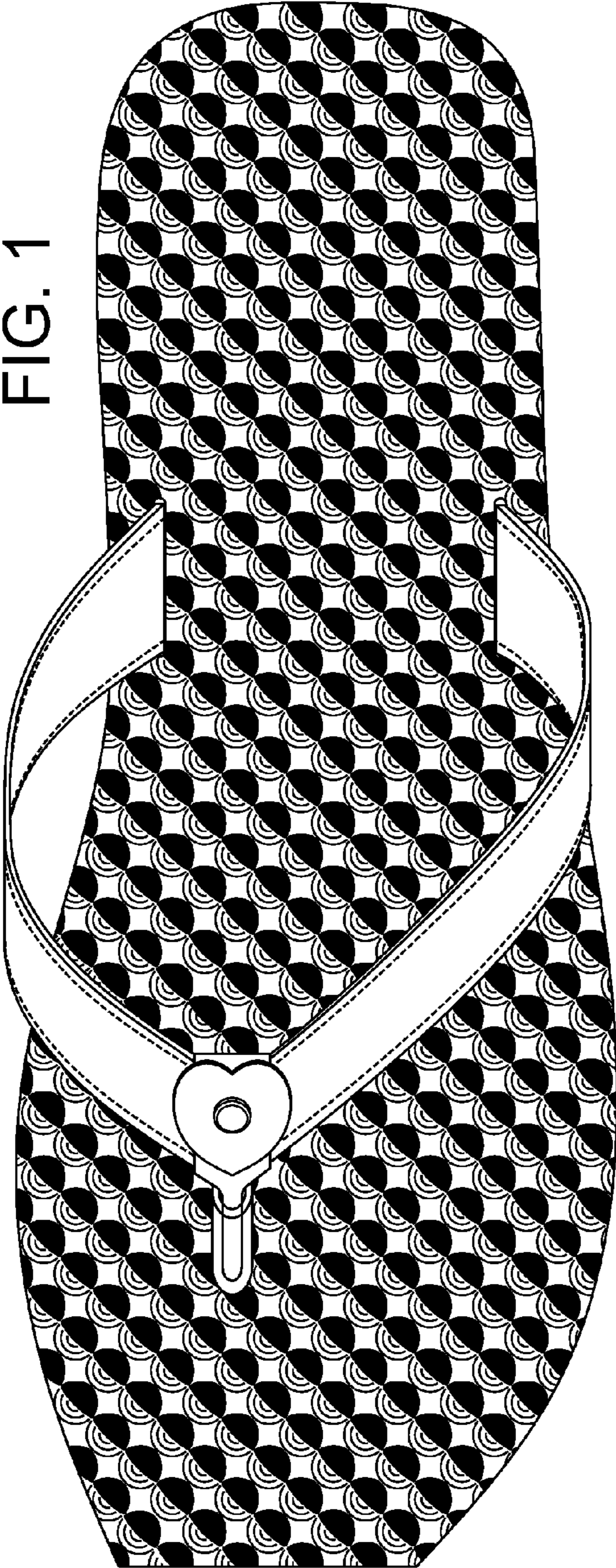
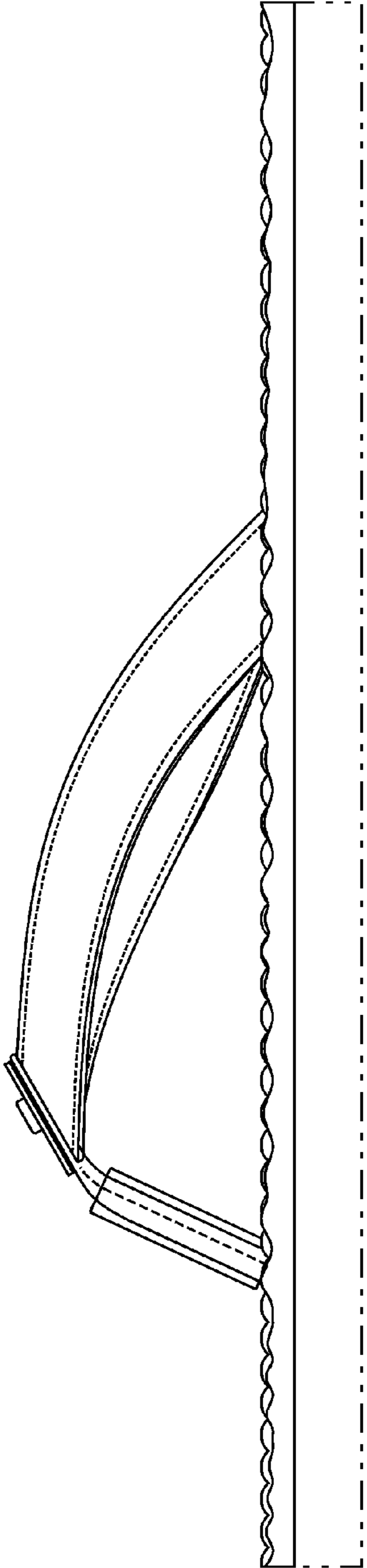


FIG. 2



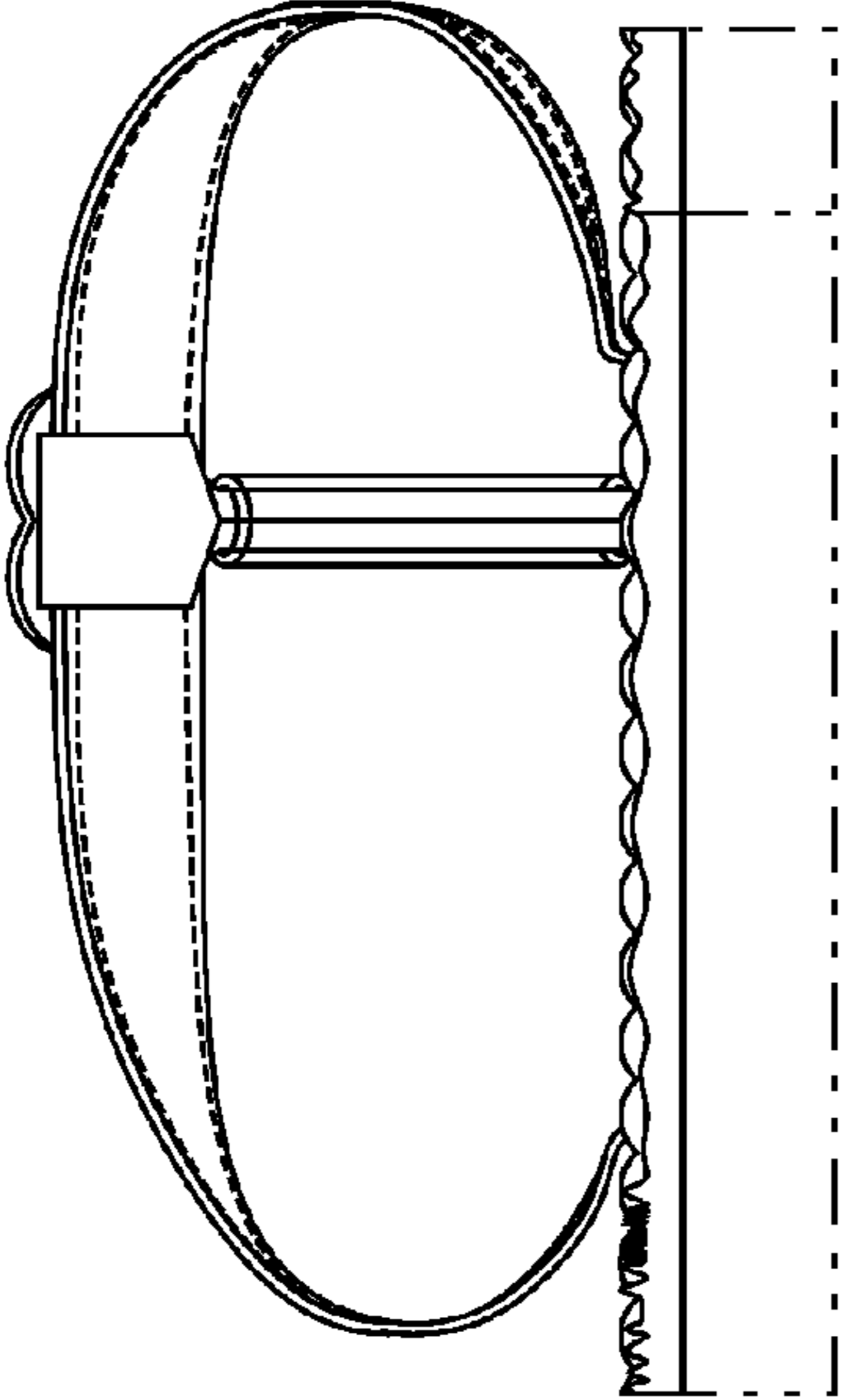


FIG. 3

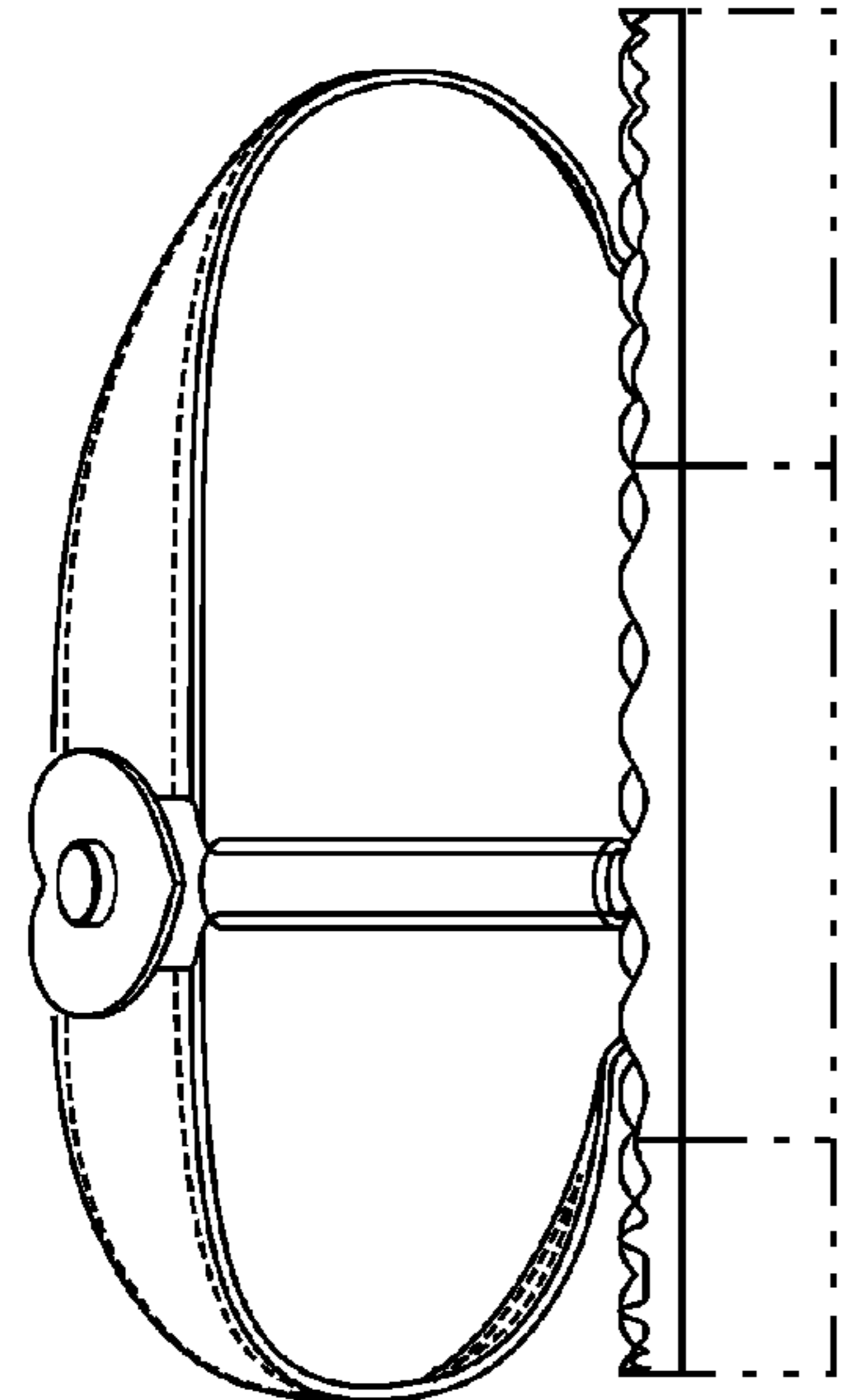


FIG. 4

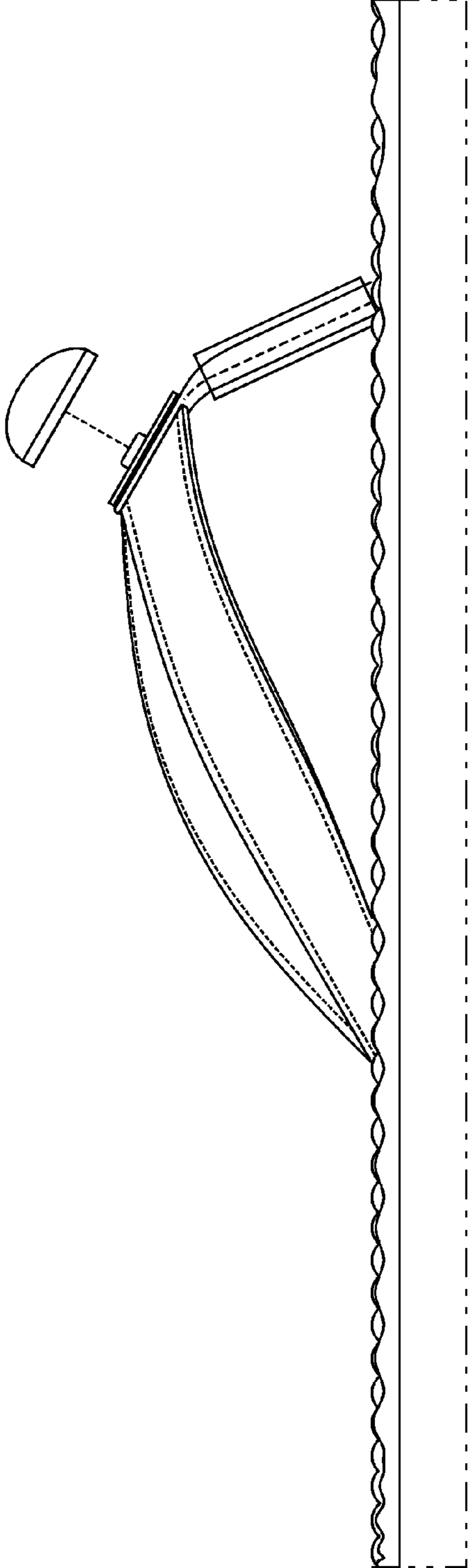


FIG. 5

FIG. 6

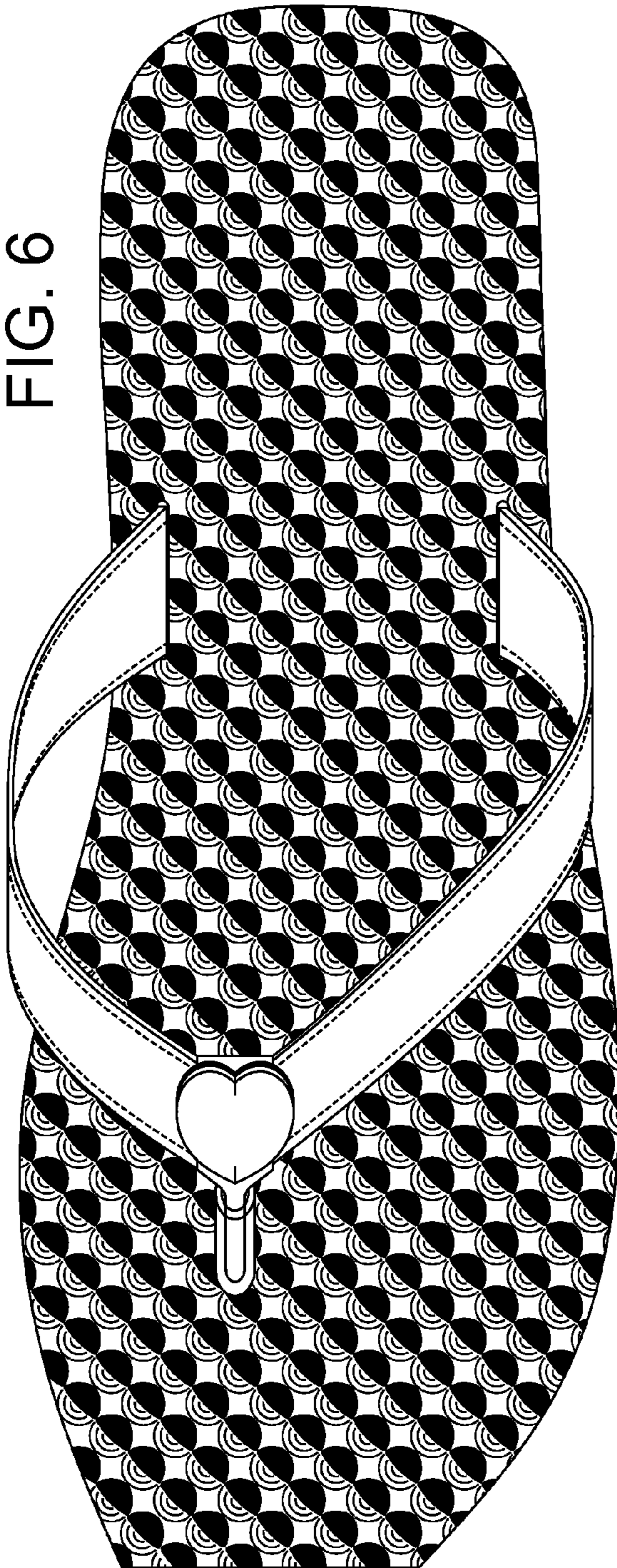
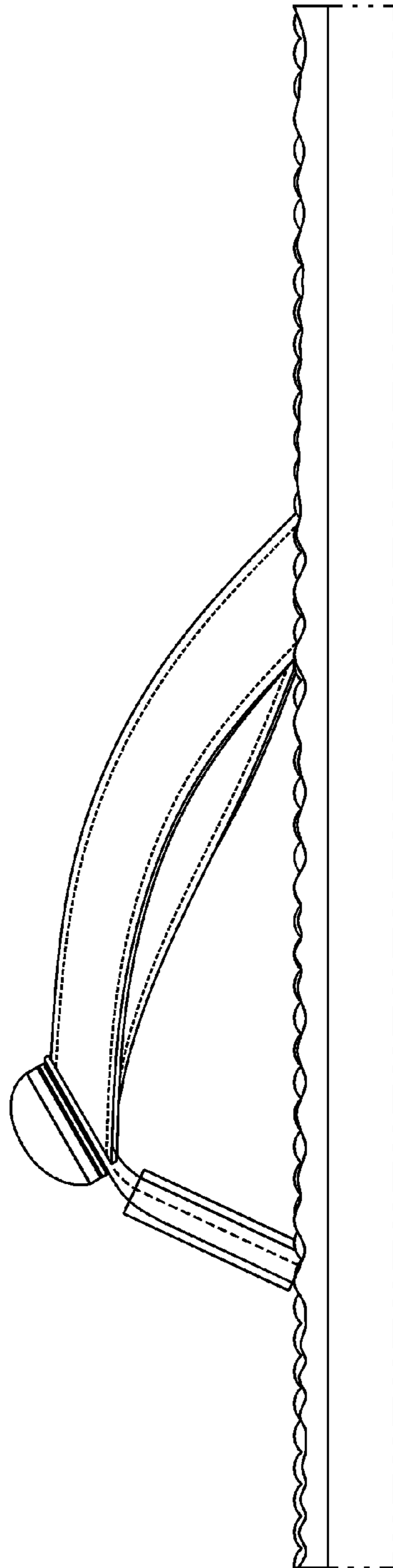


FIG. 7



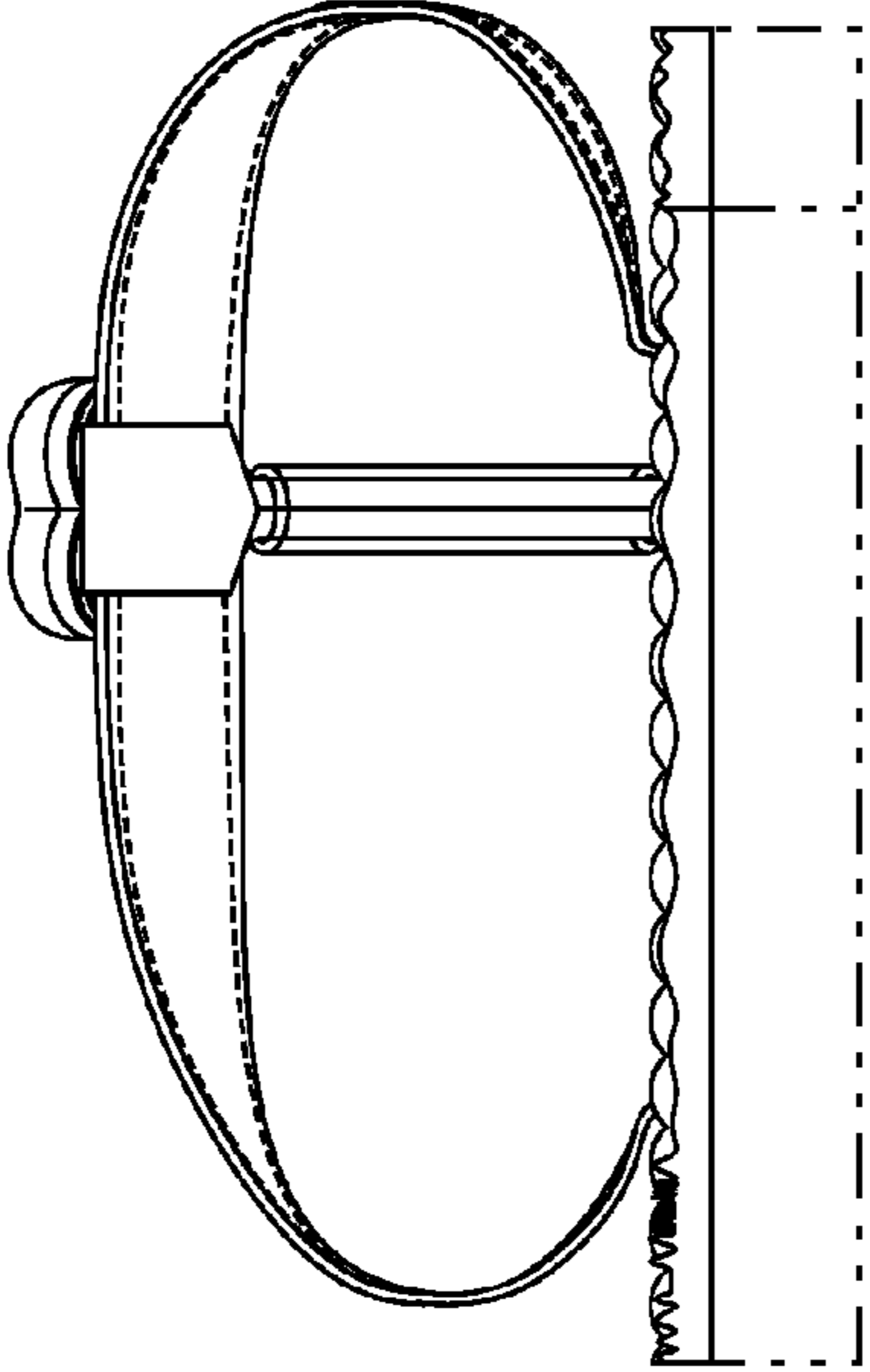


FIG. 9

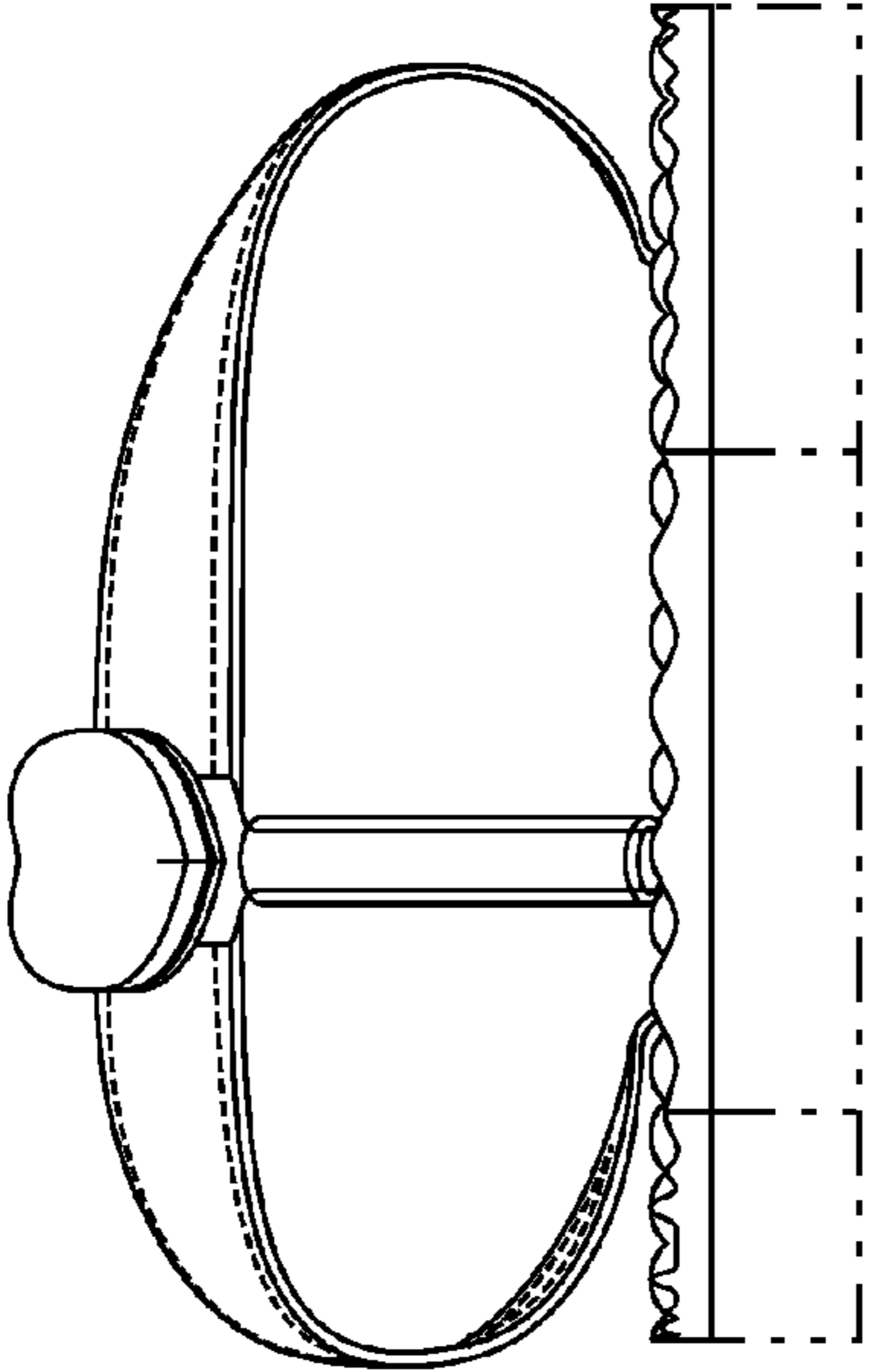


FIG. 8

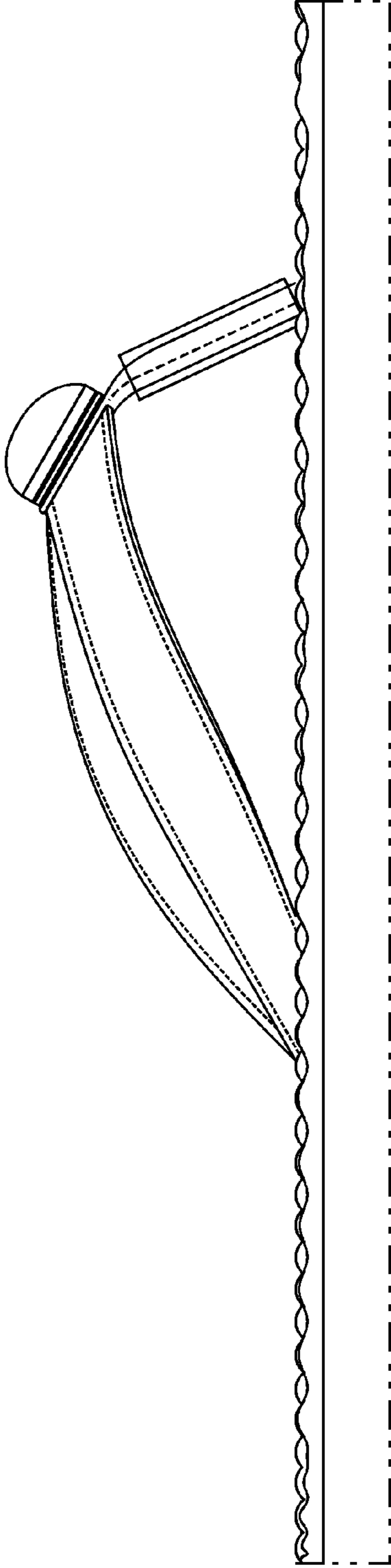


FIG. 10

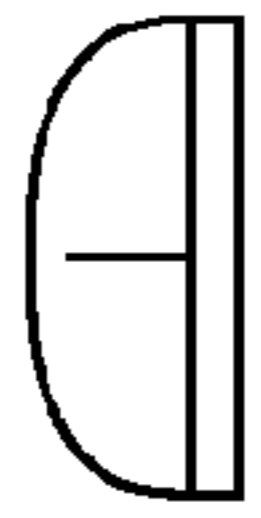
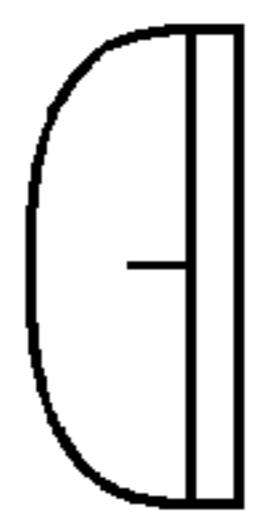
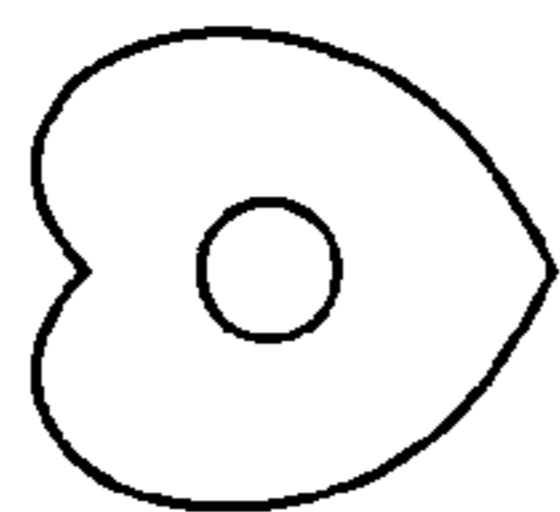
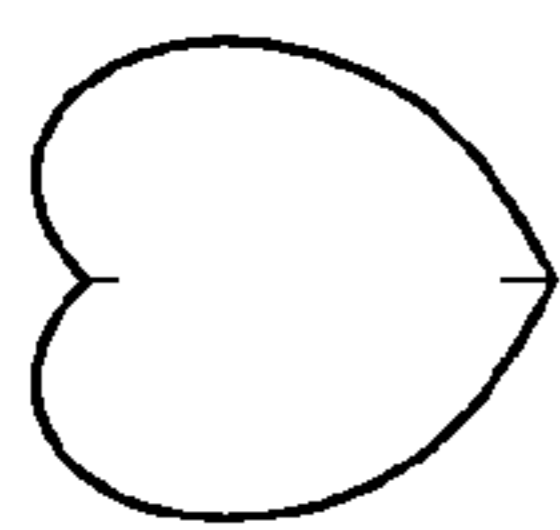


FIG. 11

FIG. 12

FIG. 13

FIG. 14

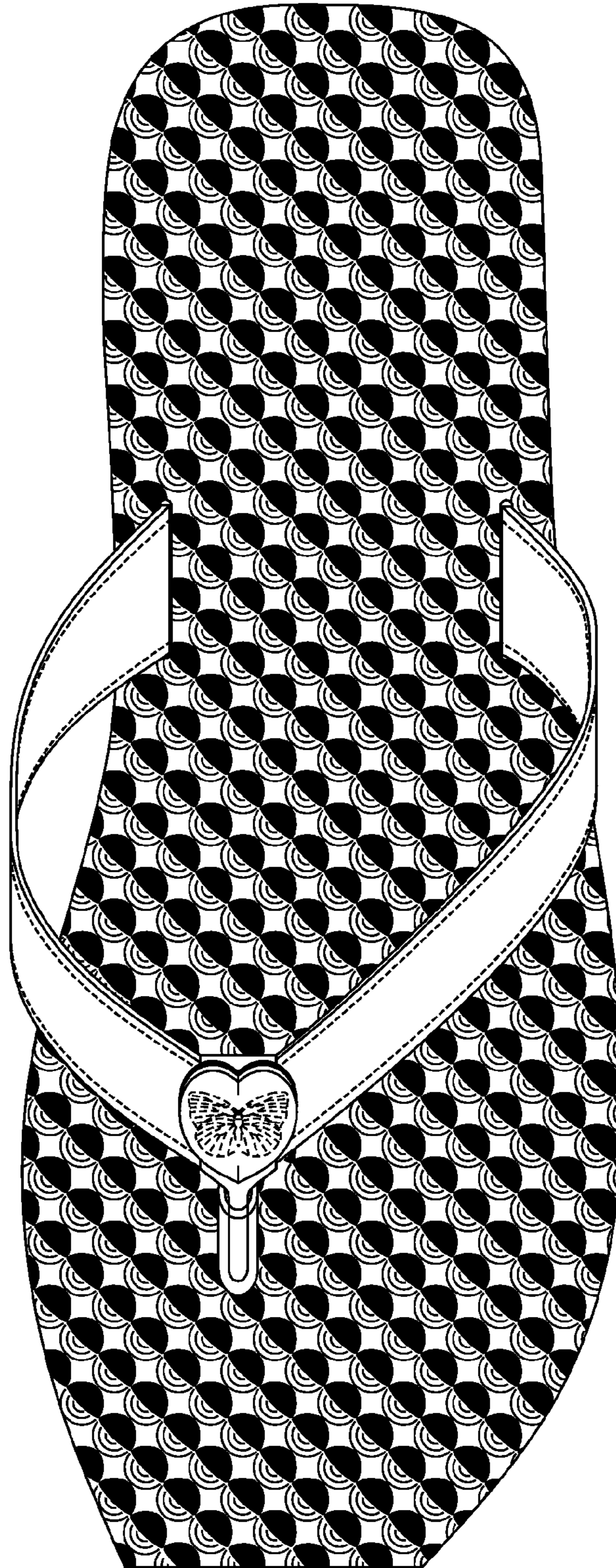


FIG. 15