



US00D681313S

(12) **United States Design Patent**
Goins

(10) **Patent No.:** **US D681,313 S**

(45) **Date of Patent:** **** May 7, 2013**

(54) **STRETCH THIGH HIGH WARMER WITH
FRONTAL EMBELLISHMENTS**

(76) Inventor: **Chay Goins**, Atlanta, GA (US)

(**) Term: **14 Years**

(21) Appl. No.: **29/431,551**

(22) Filed: **Sep. 7, 2012**

(51) **LOC (9) Cl.** **02-04**

(52) **U.S. Cl.**
USPC **D2/900**

(58) **Field of Classification Search** D02/897,
D02/901, 910-913, 946, 970, 971; 36/2 R,
36/7.2, 7.3, 7.1 R, 100, 101, 45; 2/61; D24/190,
D24/192

See application file for complete search history.

(56) **References Cited**

U.S. PATENT DOCUMENTS

D71,298 S *	10/1926	Ramsey	D2/901
D120,887 S *	6/1940	Grezlak	D2/901
D133,870 S *	9/1942	Hill	D2/901
D270,869 S *	10/1983	Kronberg	D2/901
D386,297 S *	11/1997	Minnick et al.	D2/980
D396,740 S *	8/1998	Magliulo	D2/901
D440,030 S *	4/2001	Revis	D2/901
D551,828 S *	10/2007	Winjum	D2/901
D599,981 S *	9/2009	Kim	D2/901

* cited by examiner

Primary Examiner — Robert M Spear

Assistant Examiner — Rashida C McCoy

(74) *Attorney, Agent, or Firm* — QuickPatents; Kevin Prince

(57) **CLAIM**

I claim the ornamental design for a stretch thigh high warmer with frontal embellishments, as shown and described.

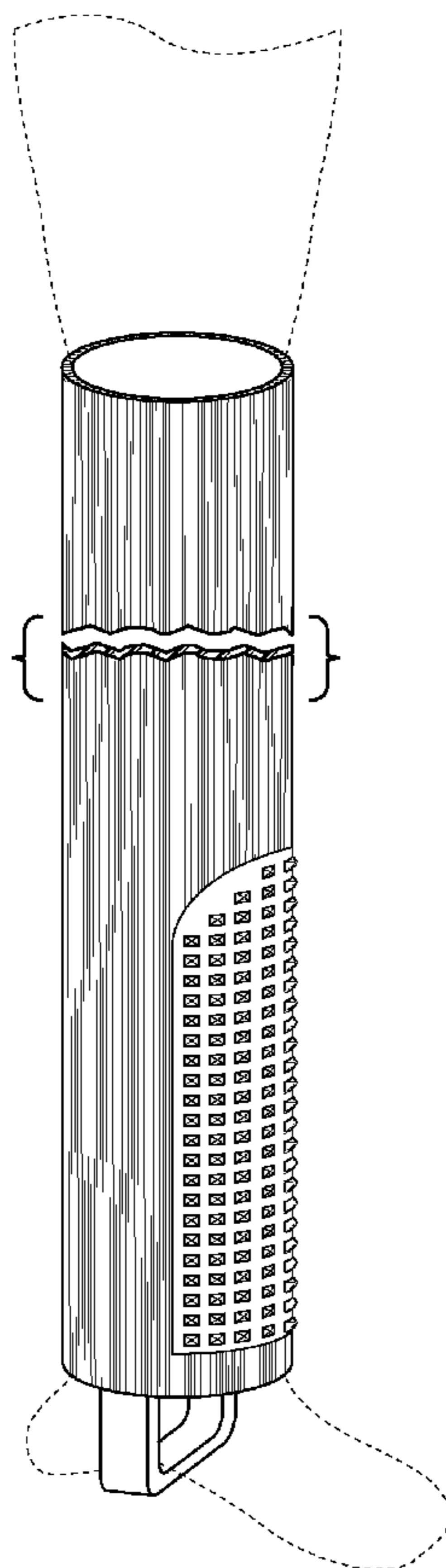
DESCRIPTION

FIG. 1 is a perspective view of a stretch thigh high warmer with frontal embellishments, showing my new design; FIG. 2 is a front elevational view thereof; FIG. 3 is a rear elevational view thereof; FIG. 4 is a right-side elevational view thereof, the left-side elevational view being a mirror image thereof; FIG. 5 is a top plan view thereof; and, FIG. 6 is a bottom plan view thereof.

The broken lines showing a person's leg and foot in FIG. 1 depict environmental matter and form no part of the claimed design.

The appearance of any portion of the article between the break lines in FIGS. 1 through 4 forms no part of the claimed design.

1 Claim, 2 Drawing Sheets



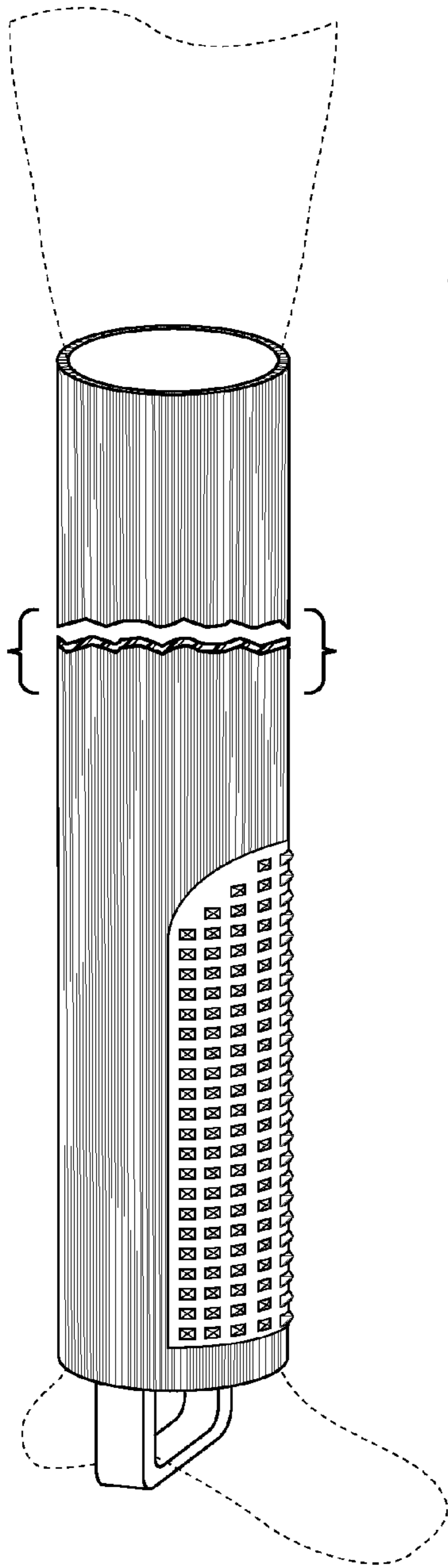


FIG. 1

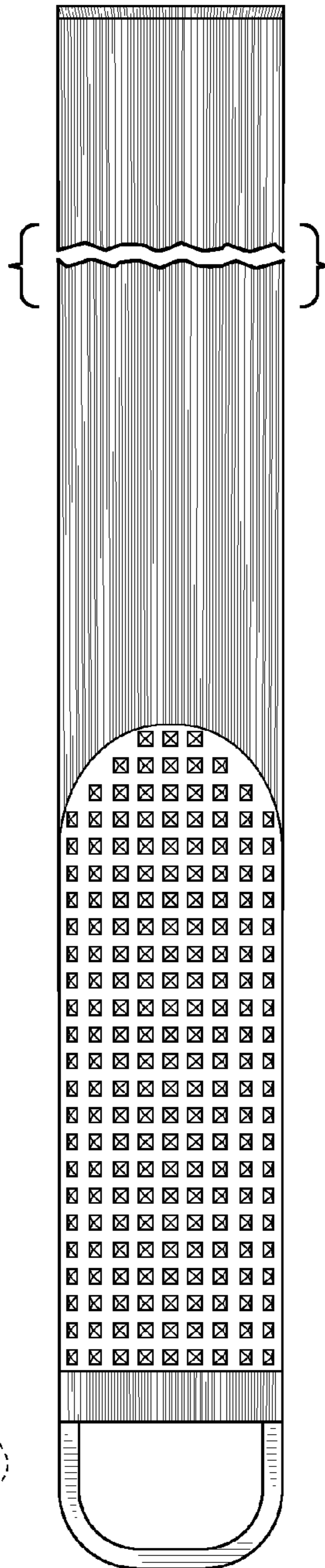


FIG. 2

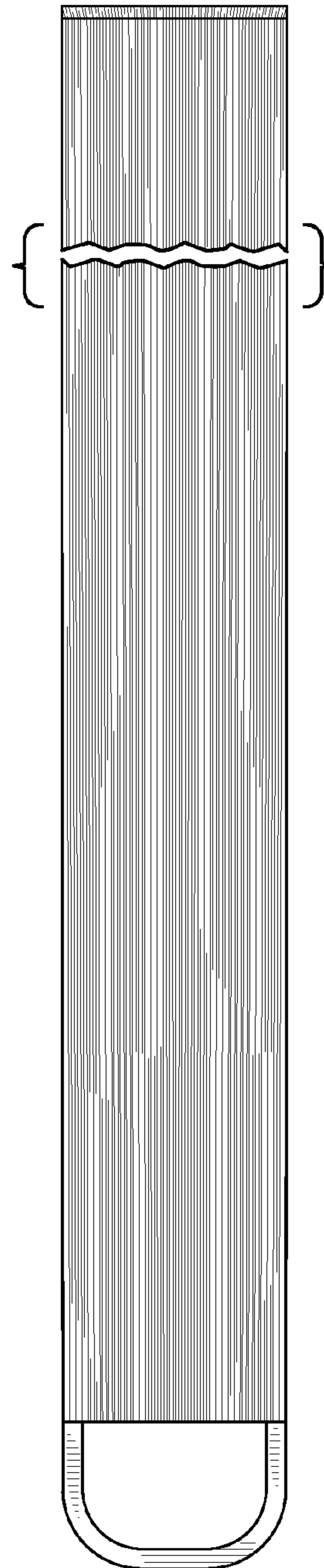


FIG. 3

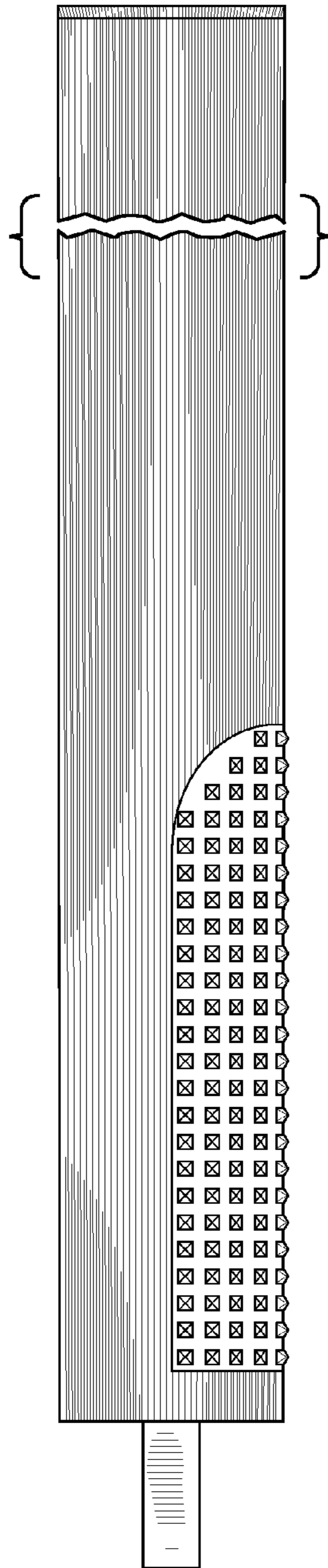


FIG. 4

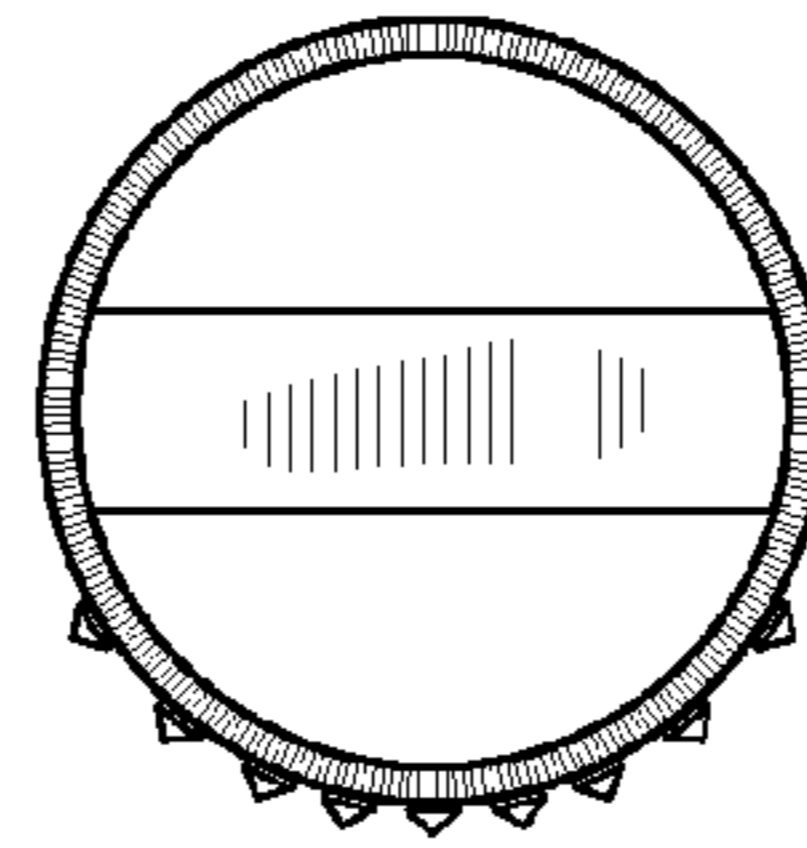


FIG. 5

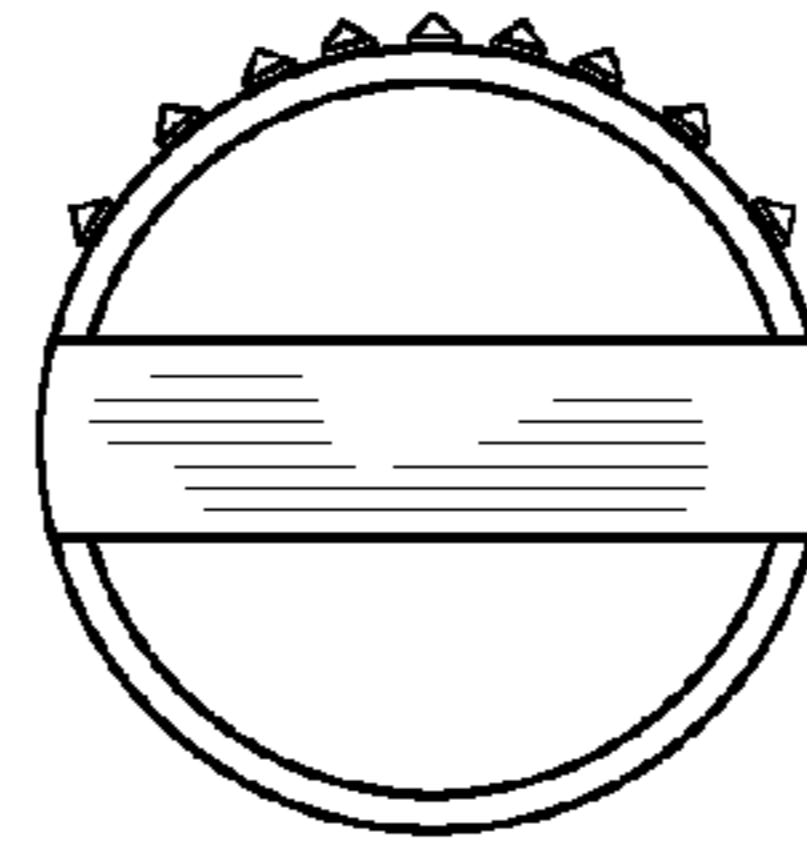


FIG. 6