



US00D681304S

(12) **United States Design Patent**
St. Peter et al.

(10) **Patent No.:** **US D681,304 S**
(45) **Date of Patent:** **** Apr. 30, 2013**

- (54) **SHOPPING CART PULL HANDLE**
- (71) Applicants: **Lawrence A. St. Peter**, Hubbell, MI
(US); **Betty A. St. Peter**, Hubbell, MI
(US)
- (72) Inventors: **Lawrence A. St. Peter**, Hubbell, MI
(US); **Betty A. St. Peter**, Hubbell, MI
(US)
- (**) Term: **14 Years**
- (21) Appl. No.: **29/440,986**
- (22) Filed: **Dec. 28, 2012**
- (51) **LOC (9) Cl.** **12-02**
- (52) **U.S. Cl.**
USPC **D34/27**
- (58) **Field of Classification Search** D34/12-27;
280/645, 47.35, 47.36, 79.5, 655.1, 47.371,
280/47.34, 79.11, 79.2, 33.992
See application file for complete search history.

- D396,925 S * 8/1998 Kessler et al. D34/27
- 6,412,839 B1 * 7/2002 Tran 294/19.2
- D511,874 S * 11/2005 Brown D34/27
- D672,522 S * 12/2012 Taylor et al. D34/27

FOREIGN PATENT DOCUMENTS

KR 10-2005-0019447 3/2005

* cited by examiner

Primary Examiner — Cynthia Ramirez

(74) *Attorney, Agent, or Firm* — Richard C. Litman

(57) **CLAIM**

The ornamental design for a shopping cart pull handle, as shown and described.

DESCRIPTION

FIG. 1 is an environmental perspective view of a shopping cart pull handle showing my new design;
 FIG. 2 is a front elevational view thereof;
 FIG. 3 is a rear elevational view thereof;
 FIG. 4 is a right, side elevational view with the left side being a mirror image thereof;
 FIG. 5 is a top view thereof; and,
 FIG. 6 is a bottom view thereof.
 The broken line showing of the basket in FIG. 1 is for illustrative purposes only and forms no part of the claimed design.

1 Claim, 4 Drawing Sheets

(56) **References Cited**

U.S. PATENT DOCUMENTS

- 4,537,338 A * 8/1985 Belka 224/445
- 4,561,239 A * 12/1985 Cook 56/320.1
- 4,706,975 A * 11/1987 Arena et al. 280/33.992





Fig. 1

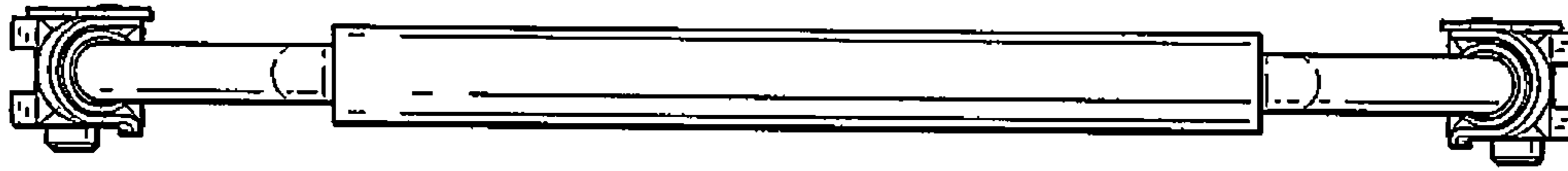


Fig. 2

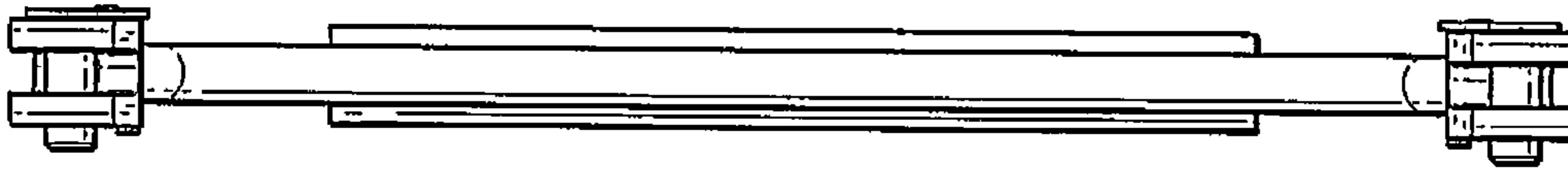


Fig. 3



Fig. 4

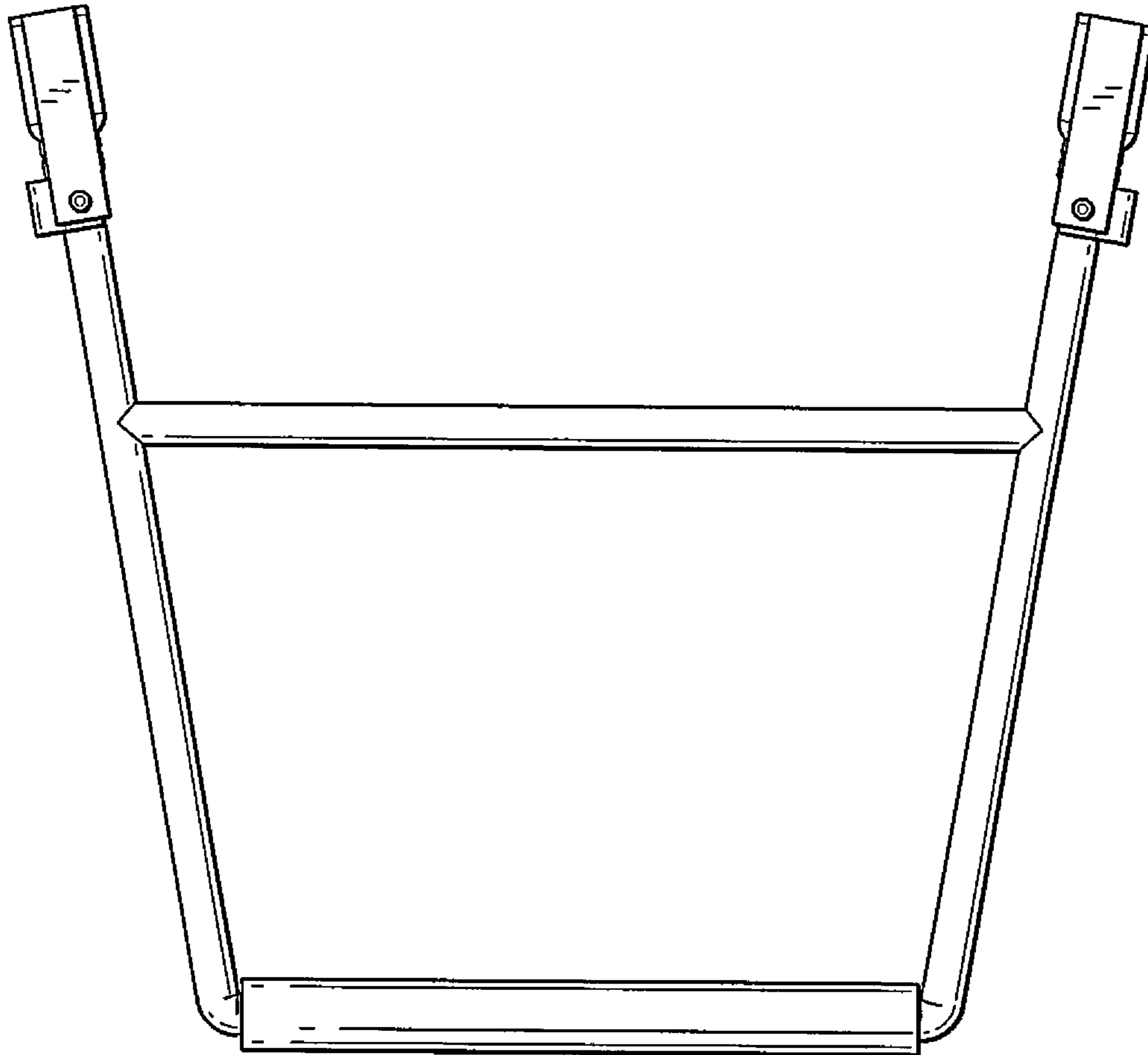


Fig. 5

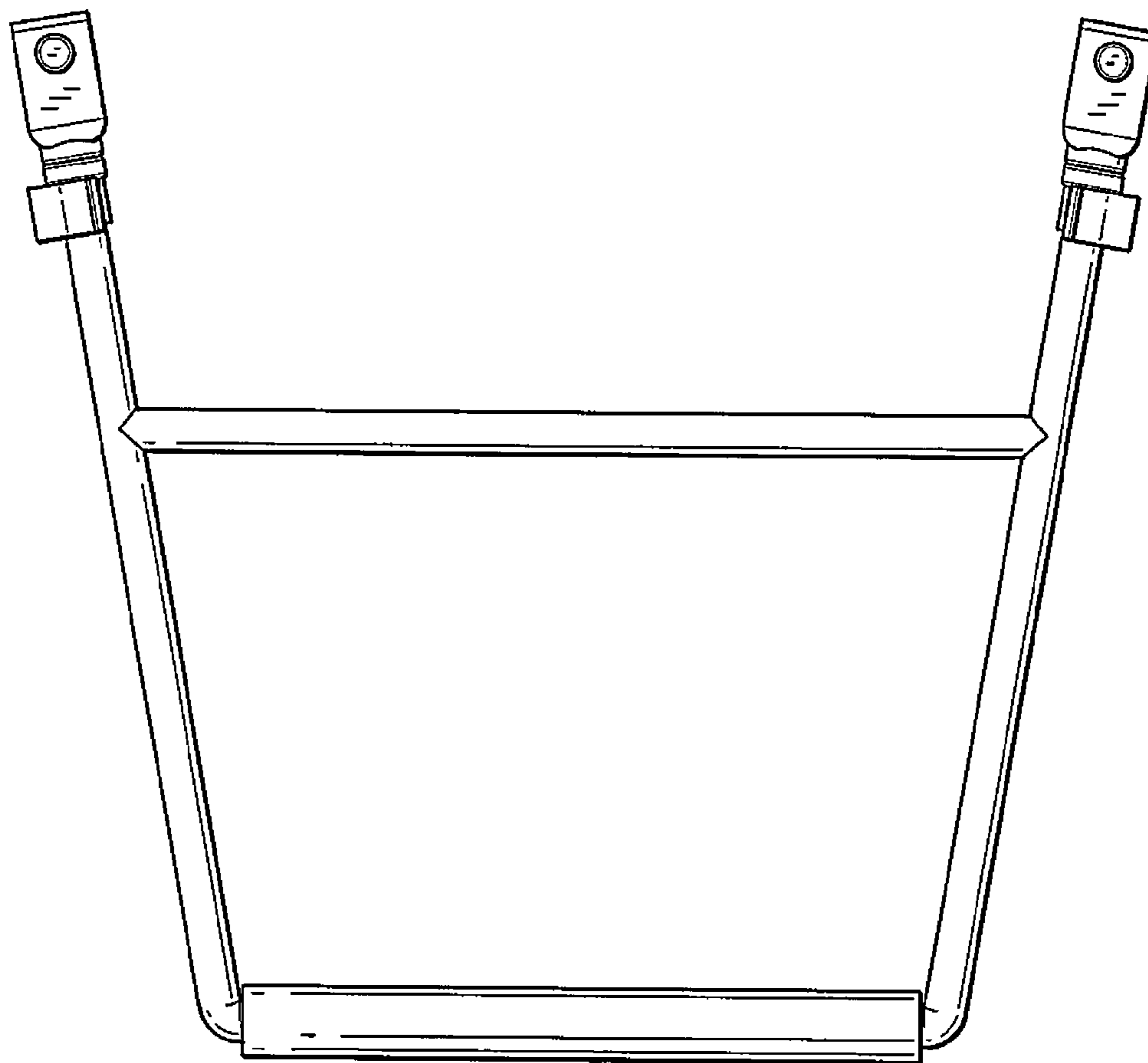


Fig. 6