



US00D681301S

(12) **United States Design Patent**
Bennie et al.

(10) **Patent No.:** **US D681,301 S**
(45) **Date of Patent:** **** Apr. 30, 2013**

- (54) **RECYCLING CENTER UNIT**
- (75) Inventors: **William Bennie**, Rockford, MI (US);
Randall Patrick Nelsen, Alto, MI (US);
John Coleman Cantrell, Jr., Atlanta,
GA (US); **Thomas Daniel Polucci**, New
York, NY (US)
- (73) Assignee: **Steelcase Inc.**, Grand Rapids, MI (US)
- (**) Term: **14 Years**
- (21) Appl. No.: **29/428,233**
- (22) Filed: **Jul. 27, 2012**
- (51) **LOC (9) Cl.** **09-09**
- (52) **U.S. Cl.**
USPC **D34/6; D34/1**
- (58) **Field of Classification Search** D34/1-11;
220/908, 908.1, 911, 909; 232/43.1, 43.2
See application file for complete search history.

D339,438 S	9/1993	Moran	
5,242,220 A	9/1993	Sandreth	
D344,381 S	2/1994	Martin et al.	
5,377,907 A	1/1995	Guard	
5,381,916 A	1/1995	Strawder	
D356,419 S	3/1995	Kamm	
5,683,030 A	11/1997	Moore et al.	
D423,167 S	4/2000	Welch	
D431,733 S	10/2000	Zimmerman	
6,138,558 A	10/2000	Harrington	
6,209,978 B1	4/2001	Khan	
D477,474 S	7/2003	Milligan	
D535,447 S *	1/2007	Olivetti	D34/1
D545,590 S	7/2007	Good	
D586,521 S	2/2009	Pho et al.	
D591,470 S	4/2009	Tuncel	
D596,819 S	7/2009	Mancini	
D605,822 S *	12/2009	Cantrell et al.	D34/5
D606,272 S	12/2009	Cantrell et al.	

(Continued)

Primary Examiner — Cynthia Ramirez

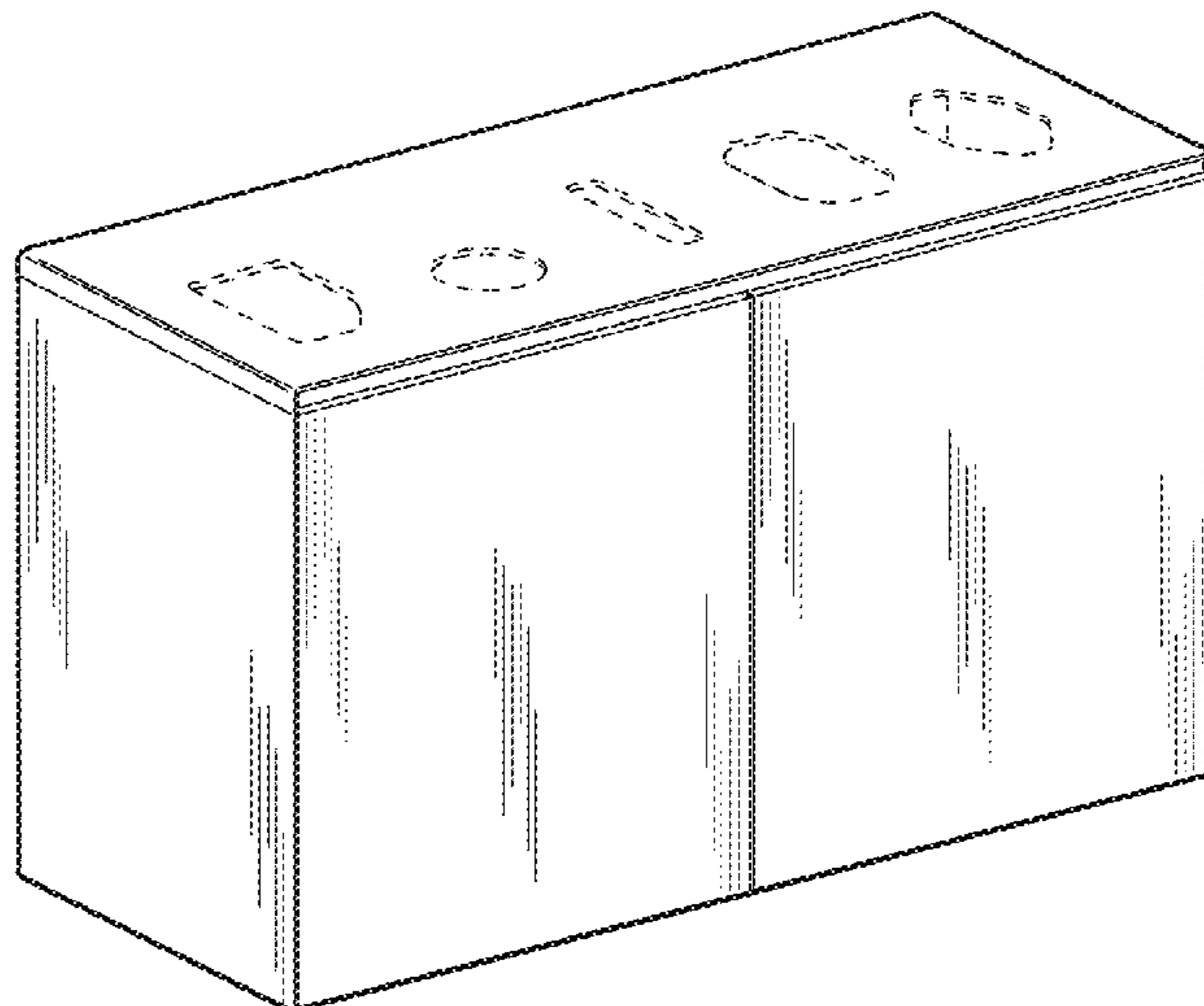
(57) **CLAIM**
We claim the ornamental design for a recycling center unit, as shown and described.

DESCRIPTION

FIG. 1 is a front perspective view of a recycling center unit, according to one embodiment;
FIG. 2 is a front view of a recycling center unit of FIG. 1;
FIG. 3 is a left side view of a recycling center unit of FIG. 1, the right side view is a mirror image of the left side view of FIG. 3;
FIG. 4 is a rear view of a recycling center unit of FIG. 1;
FIG. 5 is a top view of a recycling center unit of FIG. 1; and,
FIG. 6 is a bottom view of a recycling center unit of FIG. 1.
The dotted lines are for purposes of illustrating environmental structure and form no part of the claimed design.

1 Claim, 3 Drawing Sheets

- (56) **References Cited**
- U.S. PATENT DOCUMENTS
- 1,281,587 A 10/1918 Kovachevich
- 3,893,615 A 7/1975 Johnson
- D292,037 S 9/1987 Hanifl
- 4,697,771 A 10/1987 Majors
- 4,821,903 A 4/1989 Hayes
- 5,076,458 A 12/1991 Weiner et al.
- D326,341 S 5/1992 Frauhiger
- 5,118,037 A 6/1992 Ekegren
- 5,167,343 A 12/1992 Winfrey et al.
- D332,332 S 1/1993 Markey
- D333,542 S 2/1993 McKenzie
- D334,852 S 4/1993 Beirise
- D335,012 S 4/1993 Broussard
- 5,203,618 A 4/1993 Oshall
- D335,730 S 5/1993 Tessner et al.



US D681,301 S

Page 2

U.S. PATENT DOCUMENTS

D608,516 S	1/2010	Cantrell et al.	
D617,519 S *	6/2010	Malczewski et al.	D34/1
D617,968 S	6/2010	Andresen	
D623,443 S	9/2010	Zambelli	
D638,598 S *	5/2011	Ziech	D34/1
D640,027 S *	6/2011	Strempack et al.	D34/1
8,042,703 B2	10/2011	Dembowiak	
D659,930 S	5/2012	Sheehan	
D659,932 S	5/2012	Sheehan	
D668,414 S *	10/2012	McNay et al.	D34/7
D670,059 S *	10/2012	Katechis et al.	D34/9
2010/0289393 A1	11/2010	Cantrell et al.	
2011/0089179 A1	4/2011	Flewelling	

* cited by examiner

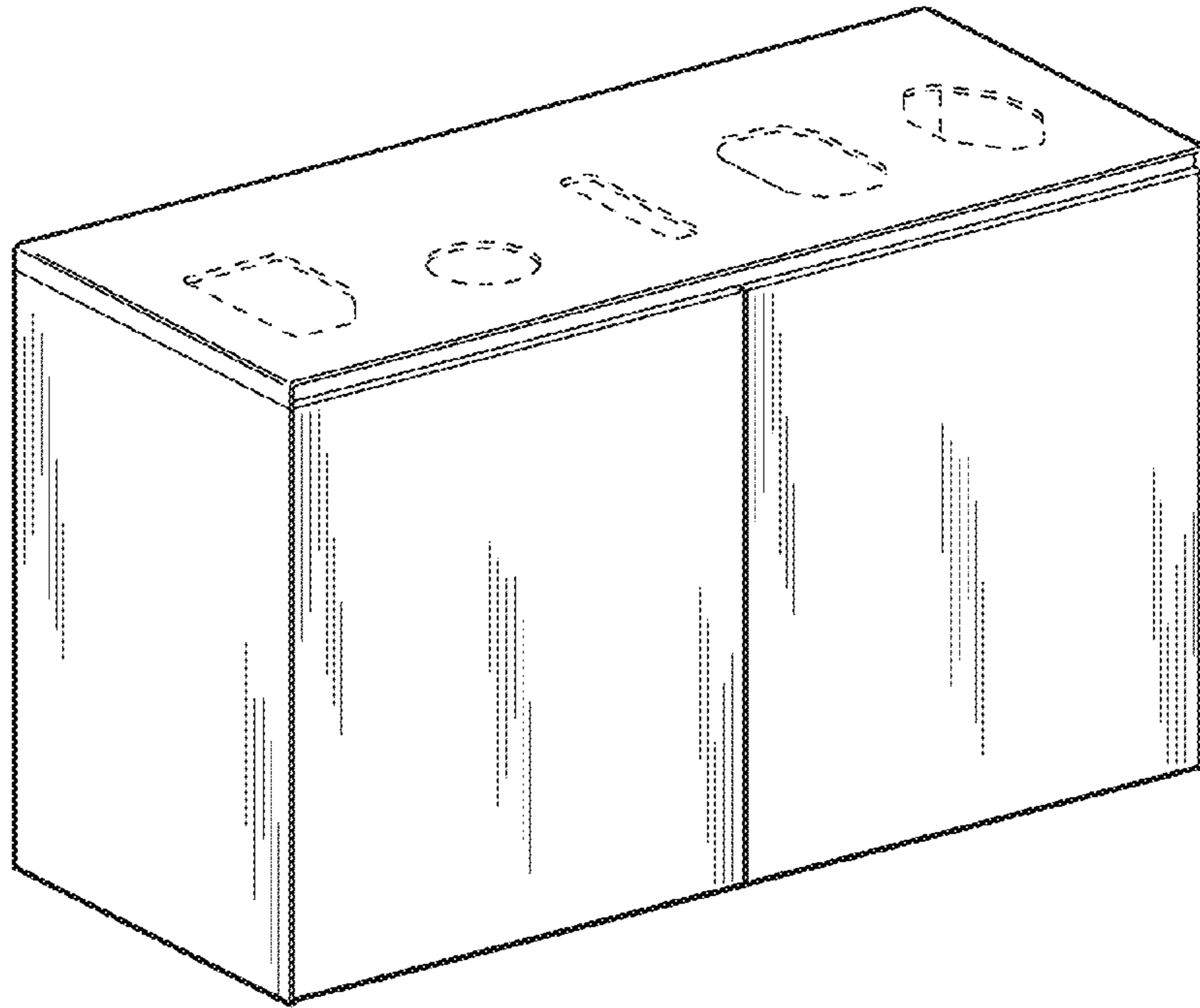


Fig. 1

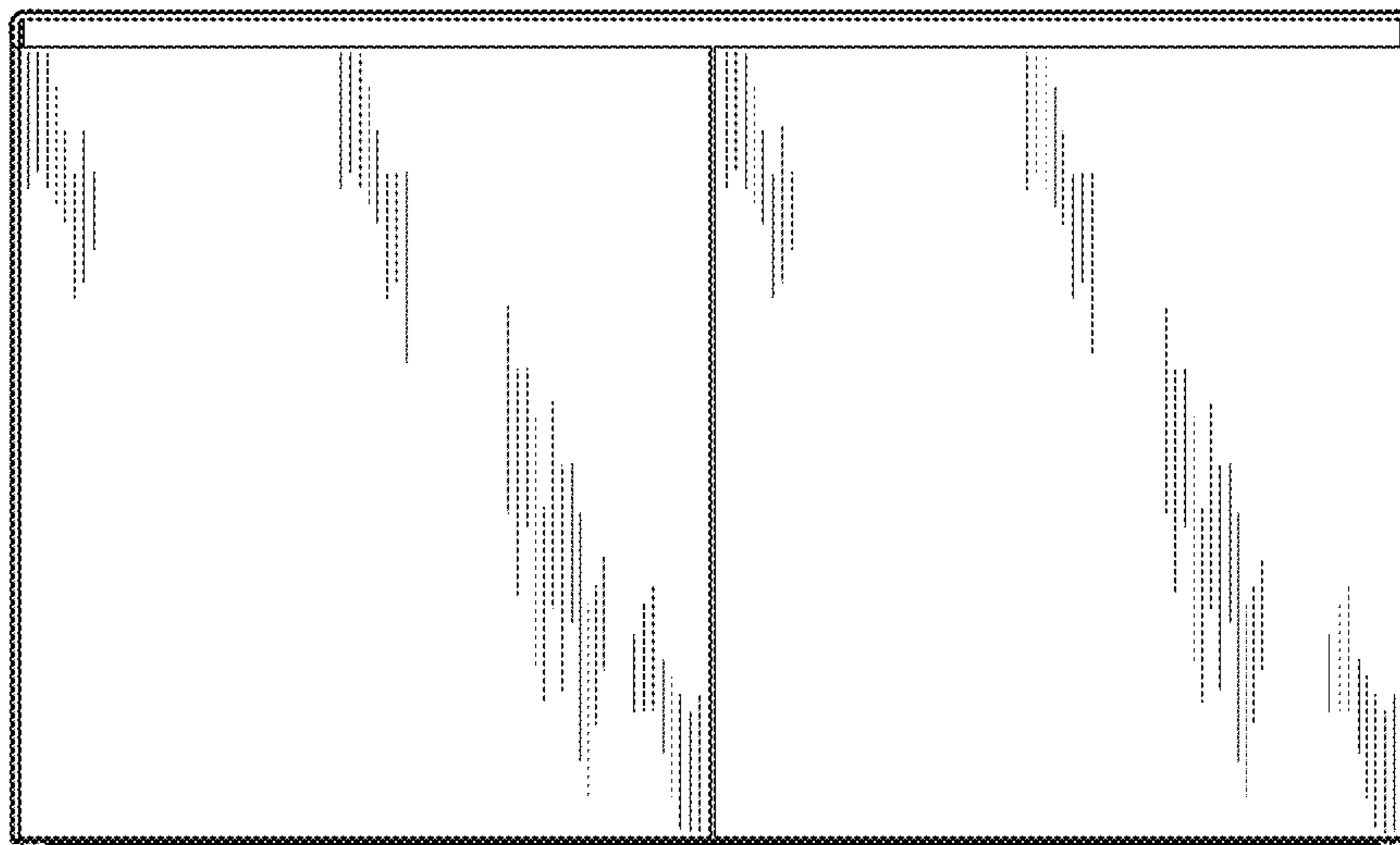


Fig. 2

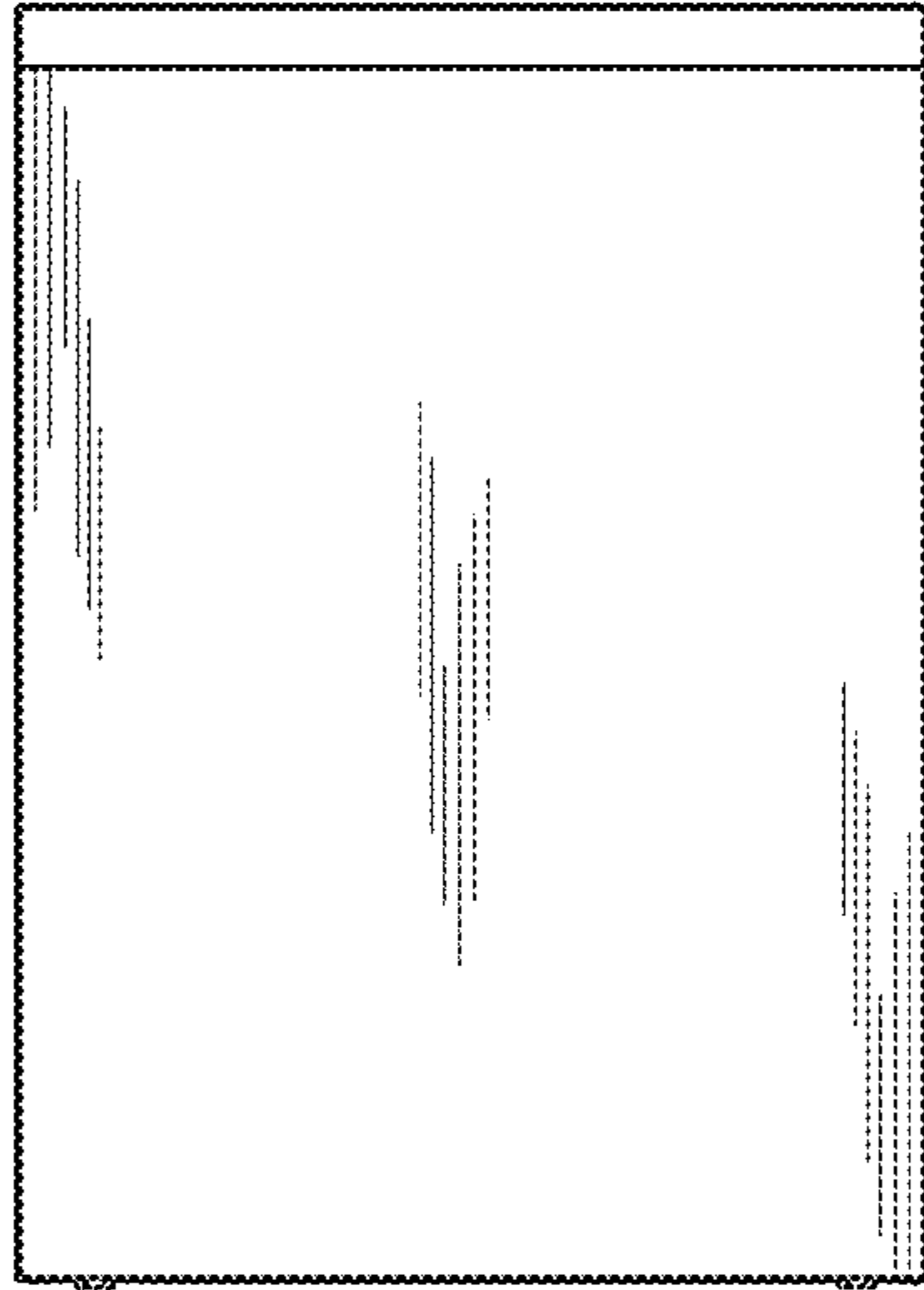


Fig. 3

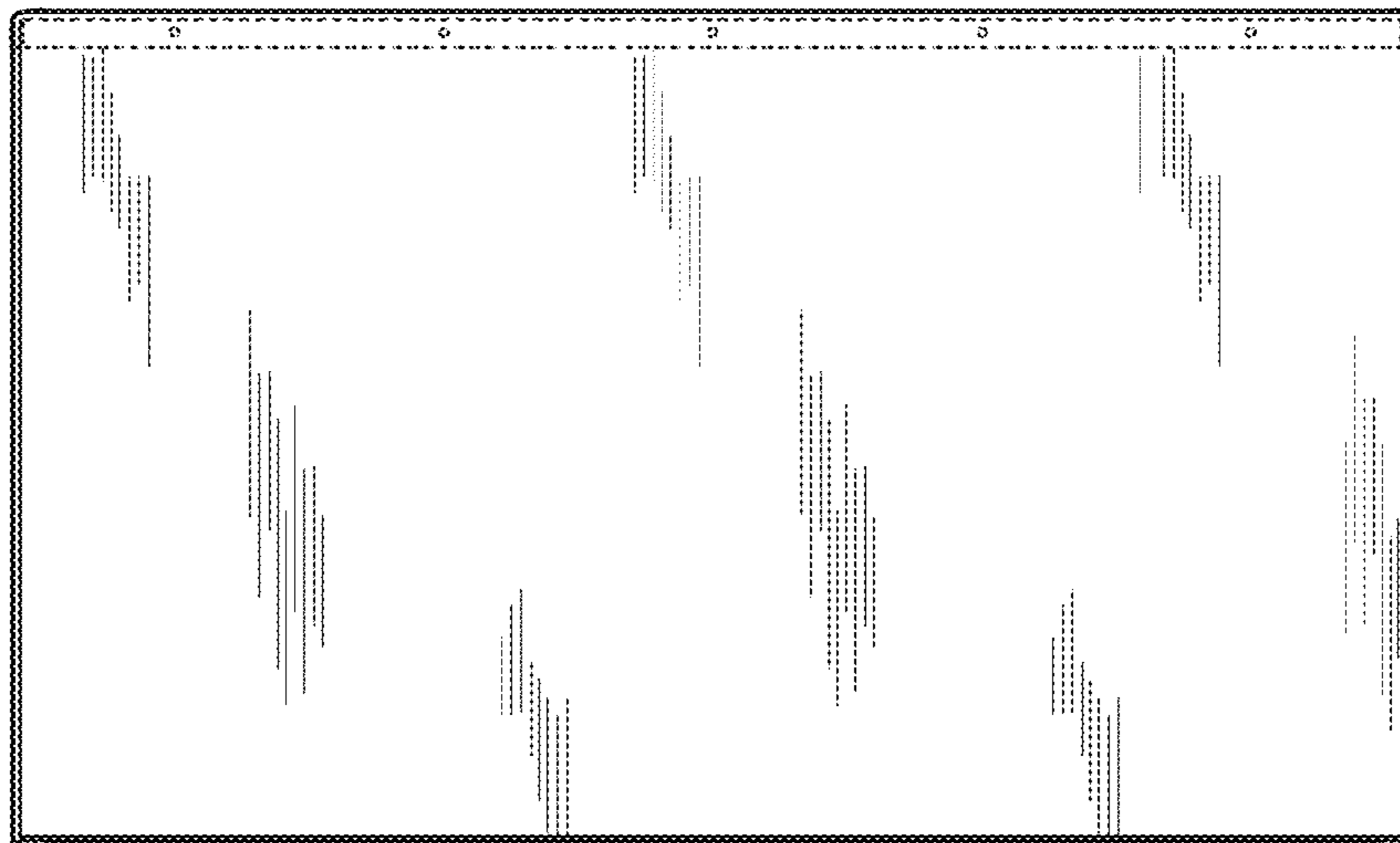


Fig. 4

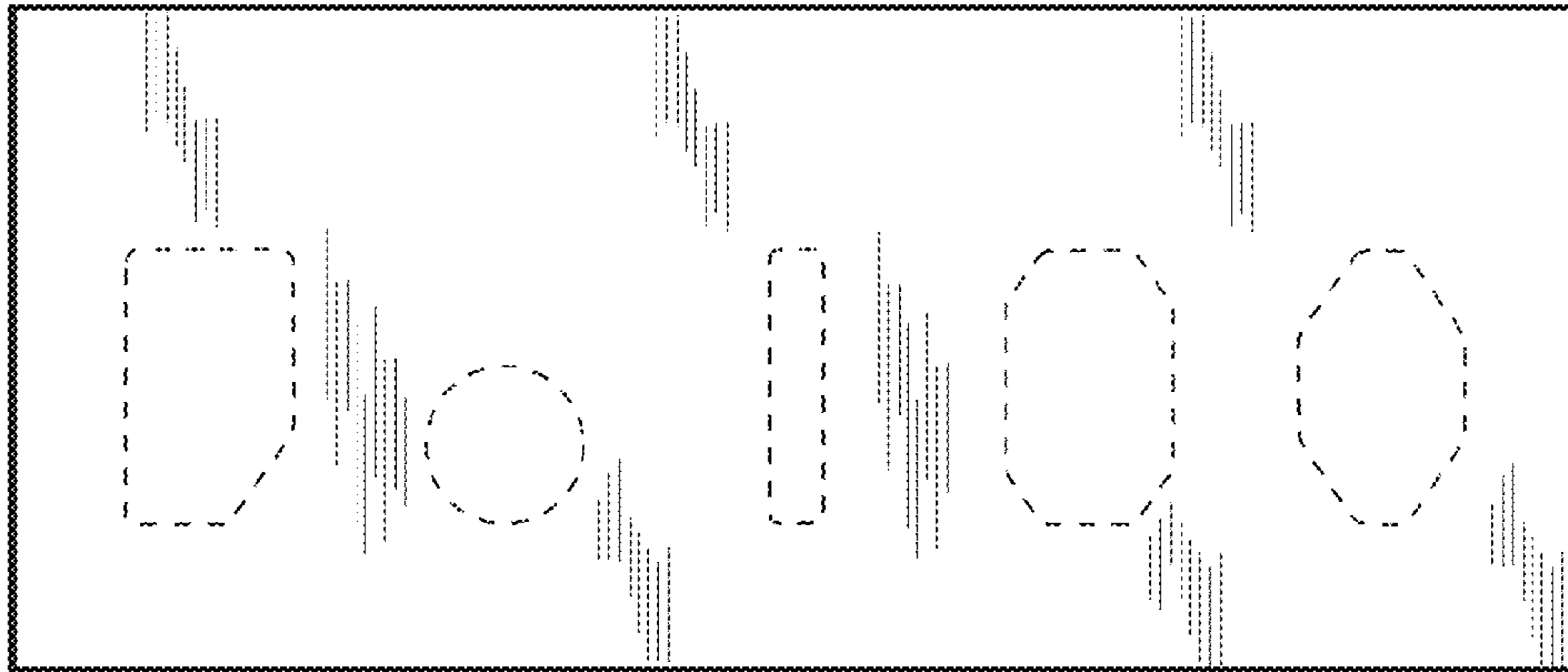


Fig. 5

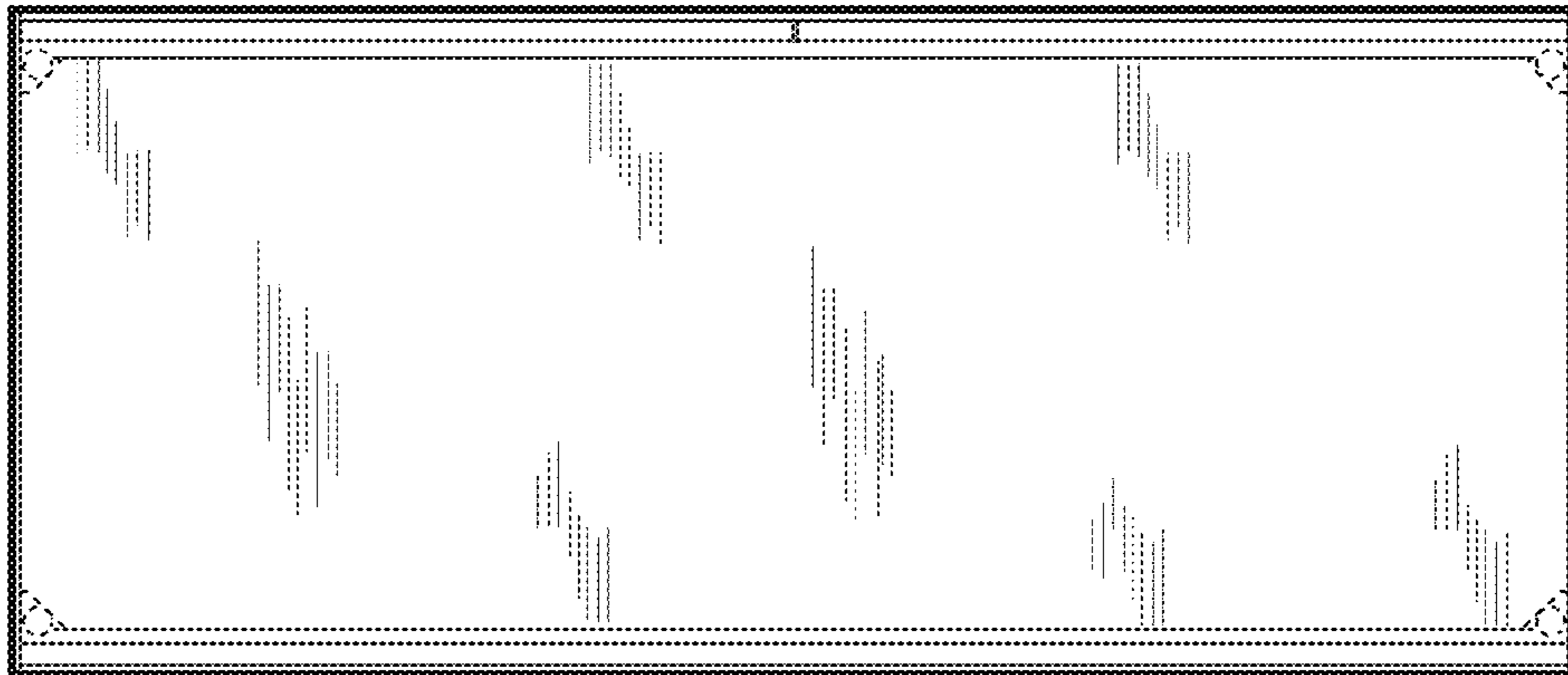


Fig. 6