



US00D681300S

(12) **United States Design Patent**  
**Hatcher**

(10) **Patent No.:** **US D681,300 S**

(45) **Date of Patent:** **\*\* Apr. 30, 2013**

(54) **BAG RECEIVING BASKET**

(76) Inventor: **William T. Hatcher**, Overland Park, KS  
(US)

(\*\*) Term: **14 Years**

(21) Appl. No.: **29/419,934**

(22) Filed: **May 3, 2012**

**Related U.S. Application Data**

(63) Continuation-in-part of application No. 29/413,737,  
filed on Feb. 20, 2012.

(51) **LOC (9) Cl.** ..... **09-09**

(52) **U.S. Cl.**  
USPC ..... **D34/6**

(58) **Field of Classification Search** ..... D34/1,  
D34/5, 6; 248/95, 97, 99, 100, 101; 220/908,  
220/908.1, 911, 913, 910

See application file for complete search history.

(56) **References Cited**

**U.S. PATENT DOCUMENTS**

2,308,398	A	1/1943	Stevens	
3,757,990	A	9/1973	Buth	
4,086,475	A	4/1978	Churchill	
4,267,928	A	5/1981	Curry, Jr.	
4,418,835	A	12/1983	Watts	
4,576,310	A	3/1986	Isgar et al.	
4,664,347	A	5/1987	Brown et al.	
4,723,740	A	2/1988	Courtemanche et al.	
D296,258	S	6/1988	Nelson	
4,753,367	A	6/1988	Miller et al.	
4,856,675	A	8/1989	Palazzola	
4,974,746	A	12/1990	Dickinson	
5,054,724	A	10/1991	Hutcheson	
D362,525	S *	9/1995	Kruger	D34/1
D376,456	S *	12/1996	Presnell et al.	D34/1
D387,530	S *	12/1997	Doxey	D34/1

5,711,499	A	1/1998	Sectish	
D405,576	S *	2/1999	Rausch	D34/1
D422,767	S *	4/2000	Presser	D34/6
D448,133	S *	9/2001	Windle	D34/1
6,460,814	B1	10/2002	Bolick	
D480,855	S *	10/2003	Sofy et al.	D34/1
D493,590	S *	7/2004	Chen	D34/1
6,772,903	B1	8/2004	Riggins et al.	
D555,317	S *	11/2007	Yang et al.	D34/1
D566,365	S *	4/2008	Wentz et al.	D34/1
D602,667	S *	10/2009	Barbieri	D34/1
D649,728	S *	11/2011	Campbell	D34/1
D663,089	S *	7/2012	Legreca et al.	D34/1
D669,650	S *	10/2012	Ellis	D34/1

\* cited by examiner

*Primary Examiner* — Cynthia Ramirez

(74) *Attorney, Agent, or Firm* — Law Office of Mark Brown  
LLC; Mark E. Brown; Christopher M. DeBacker

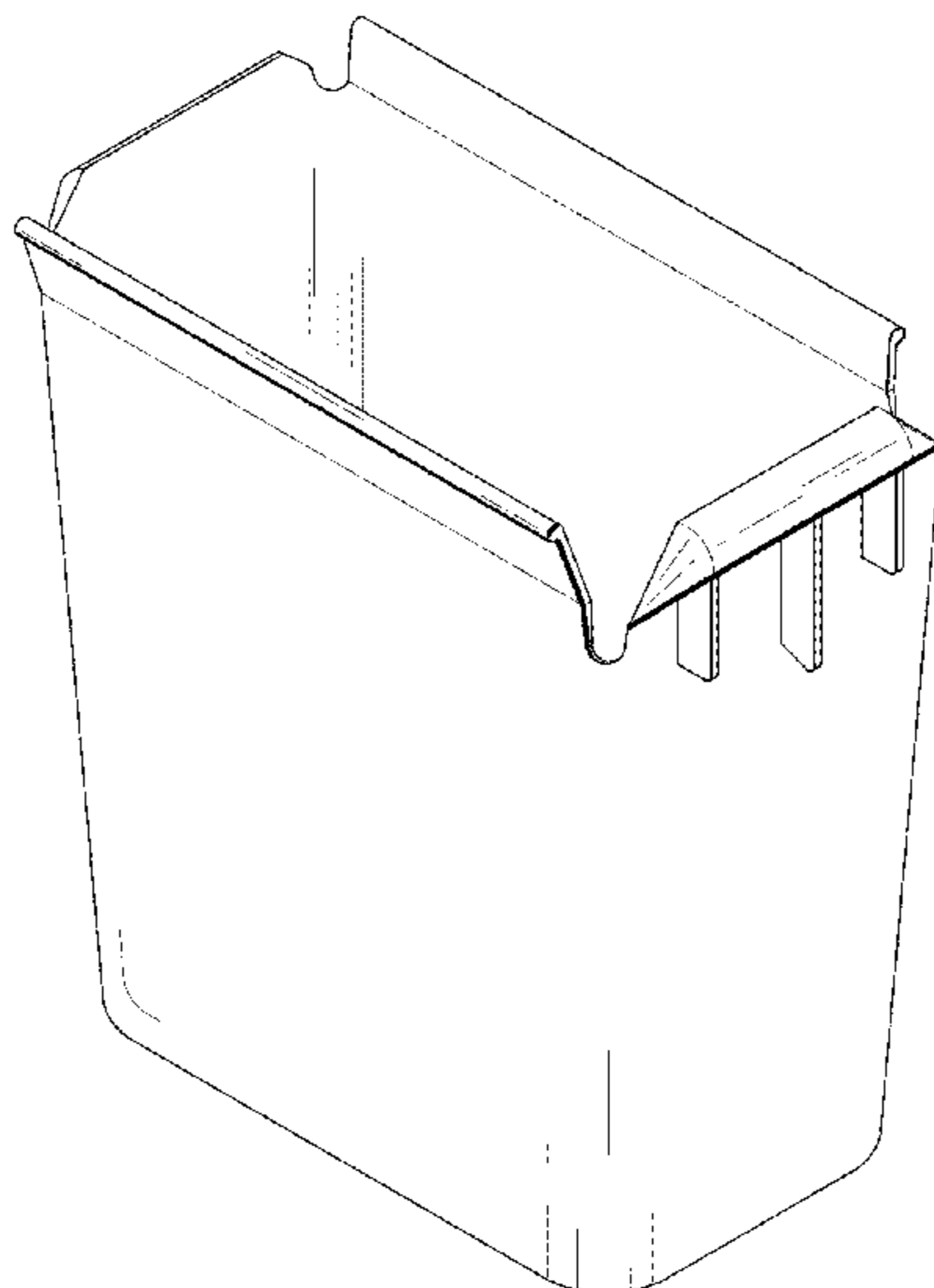
(57) **CLAIM**

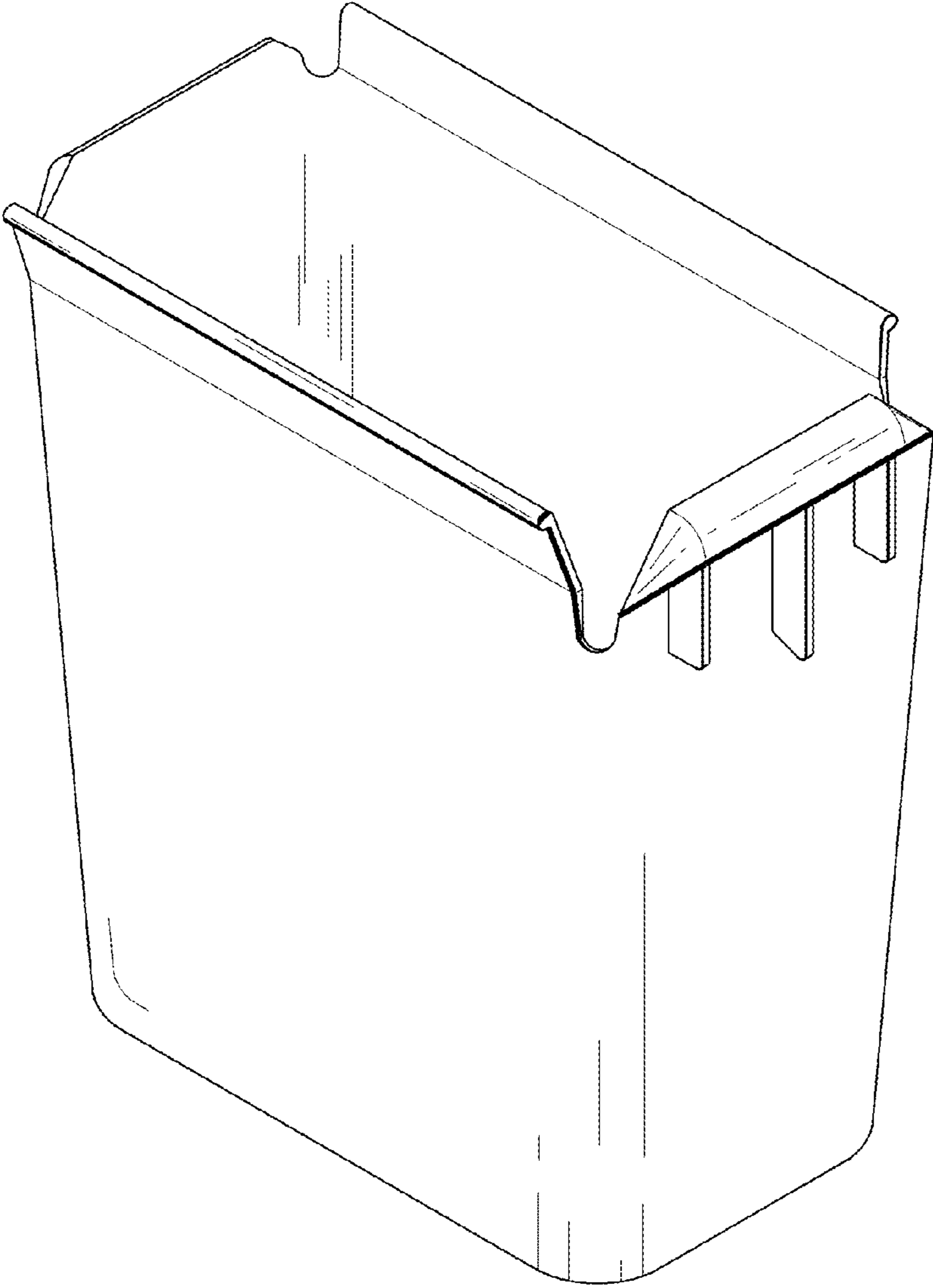
The ornamental design for a bag receiving basket, as shown  
and described.

**DESCRIPTION**

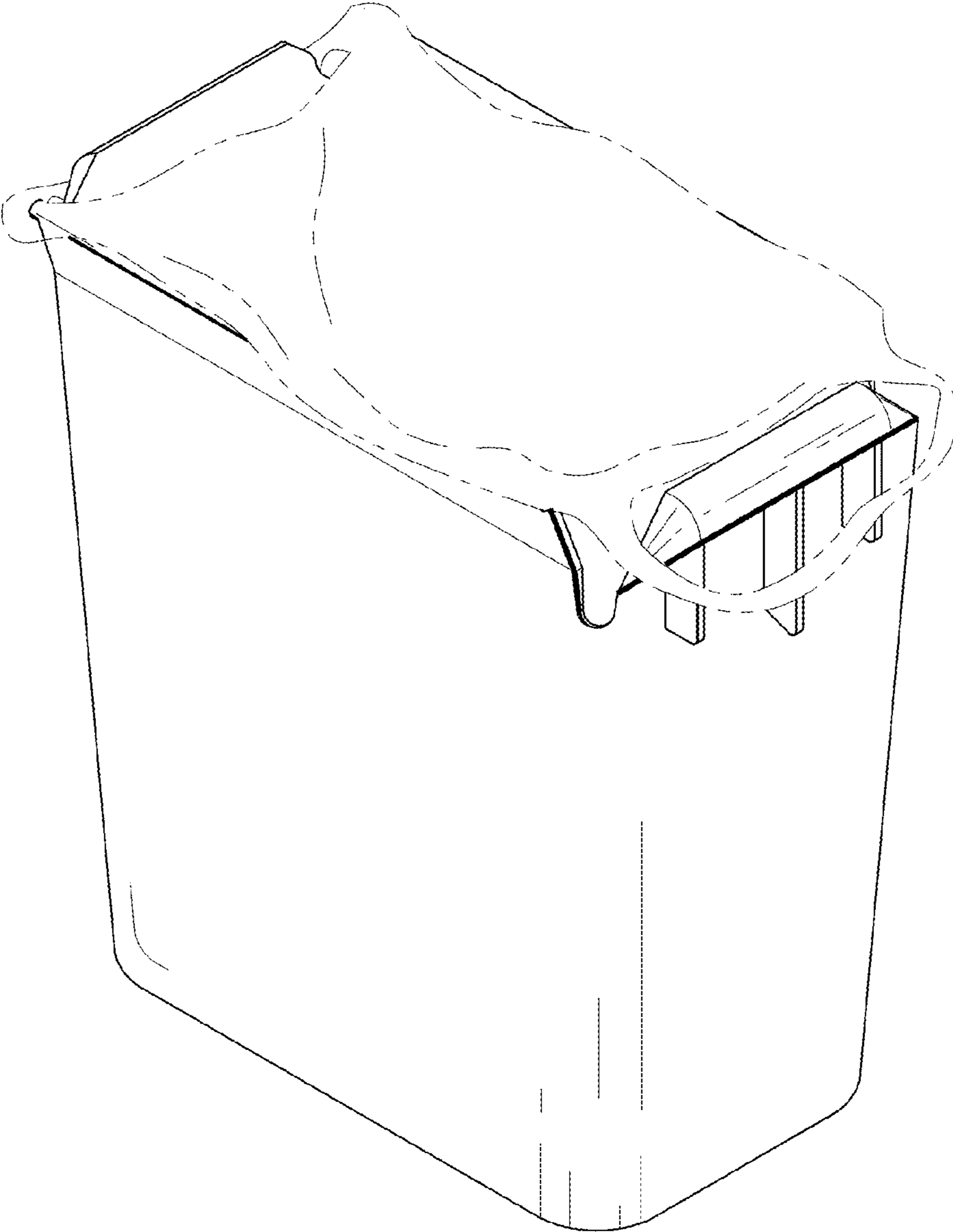
FIG. 1 is a perspective view of a bag receiving basket;  
 FIG. 2 is a perspective view of thereof, demonstrating the bag  
 receiving basket with the typical environment of a plastic  
 shopping bag shown by broken lines;  
 FIG. 3 is a front side elevational view of the bag receiving  
 basket, the rear side is a mirror image thereof;  
 FIG. 4 is a left side elevational view thereof, the right side is  
 a mirror image thereof;  
 FIG. 5 is a bottom plan view thereof; and,  
 FIG. 6 is a top plan view thereof.  
 The broken line showing of a bag in FIG. 2 is included for the  
 purpose of illustrating environment and forms no part of the  
 claimed design.

**1 Claim, 6 Drawing Sheets**

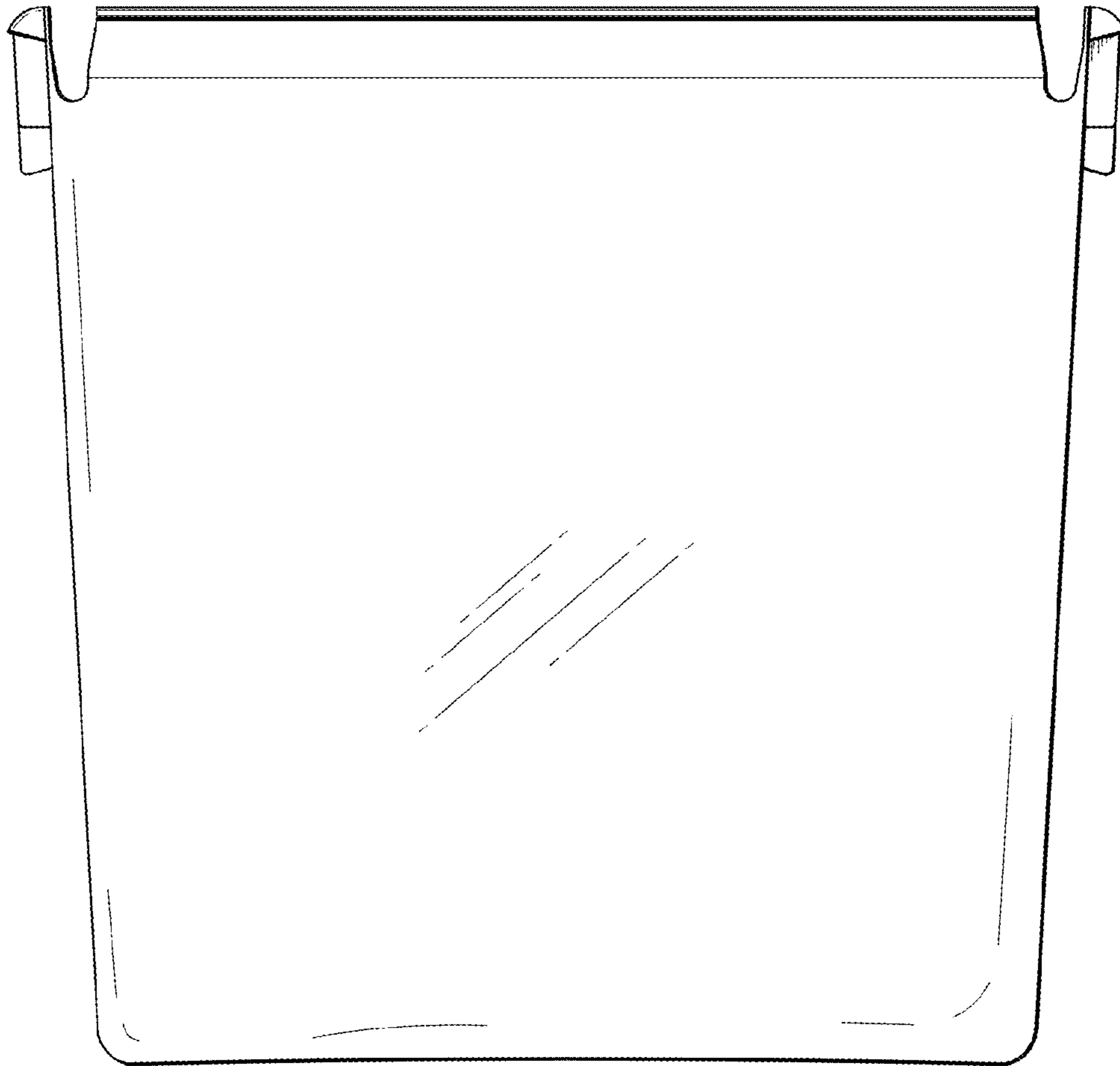




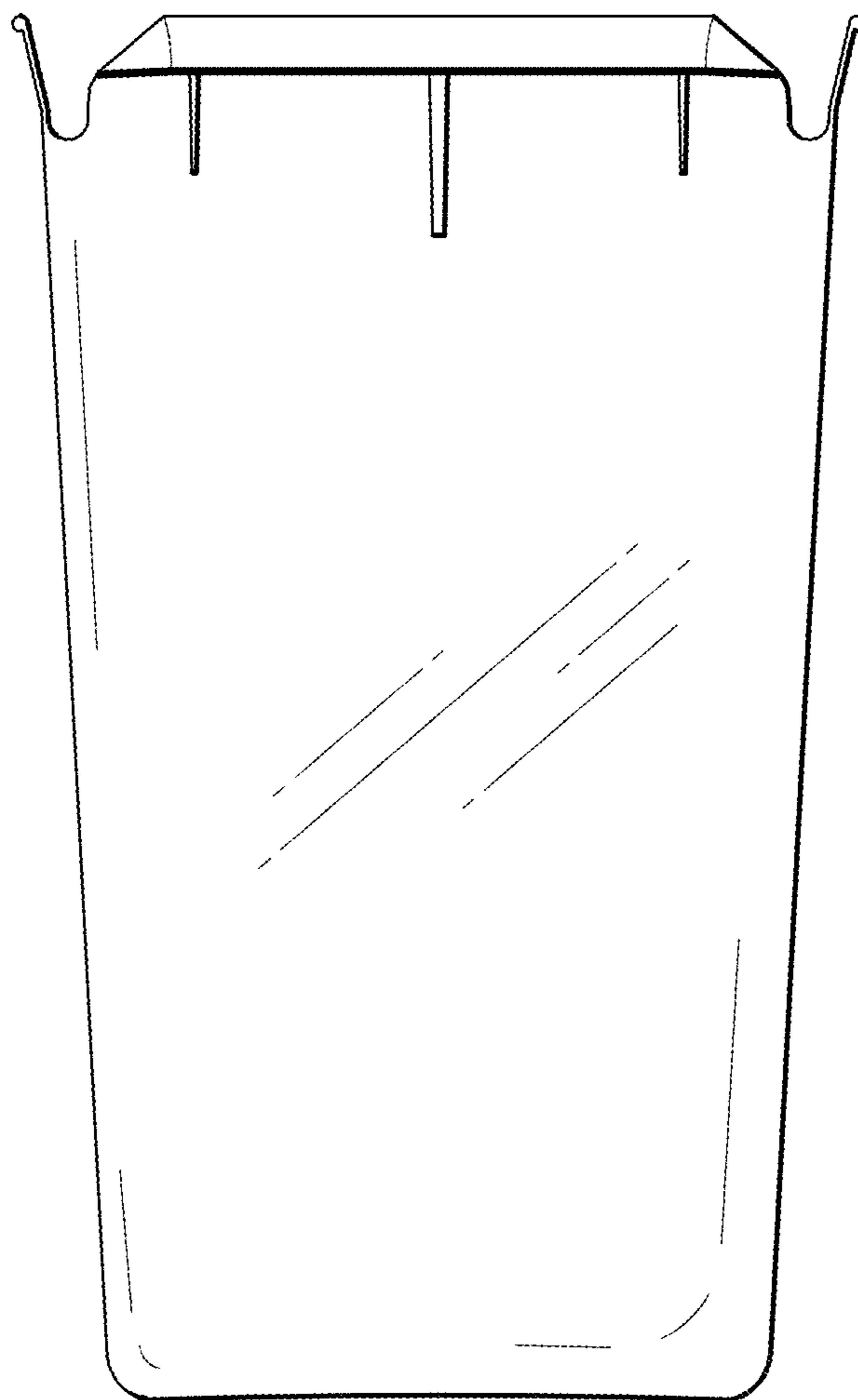
**FIG. 1**



**FIG. 2**



**FIG. 3**



**FIG. 4**

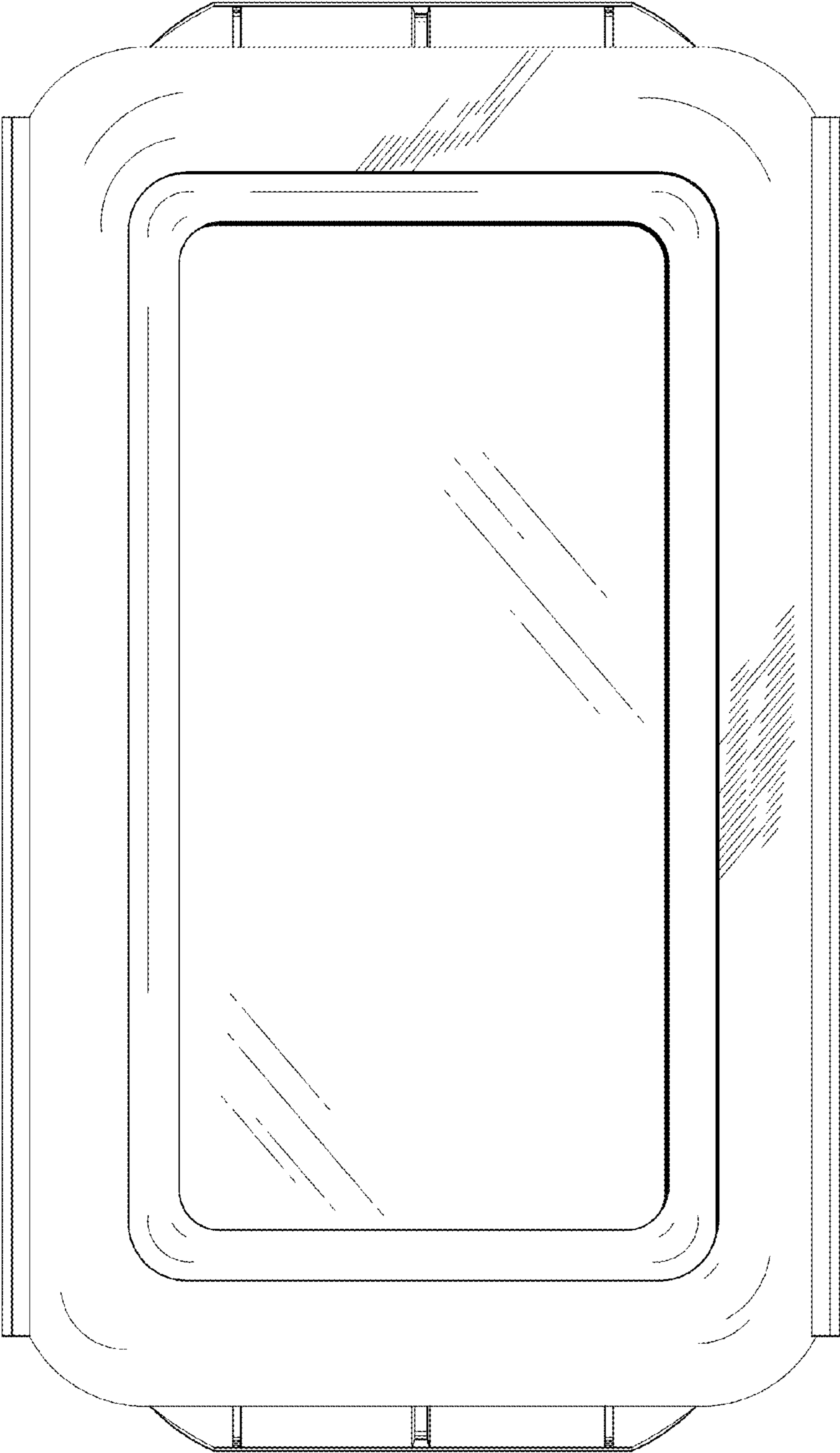


FIG. 5

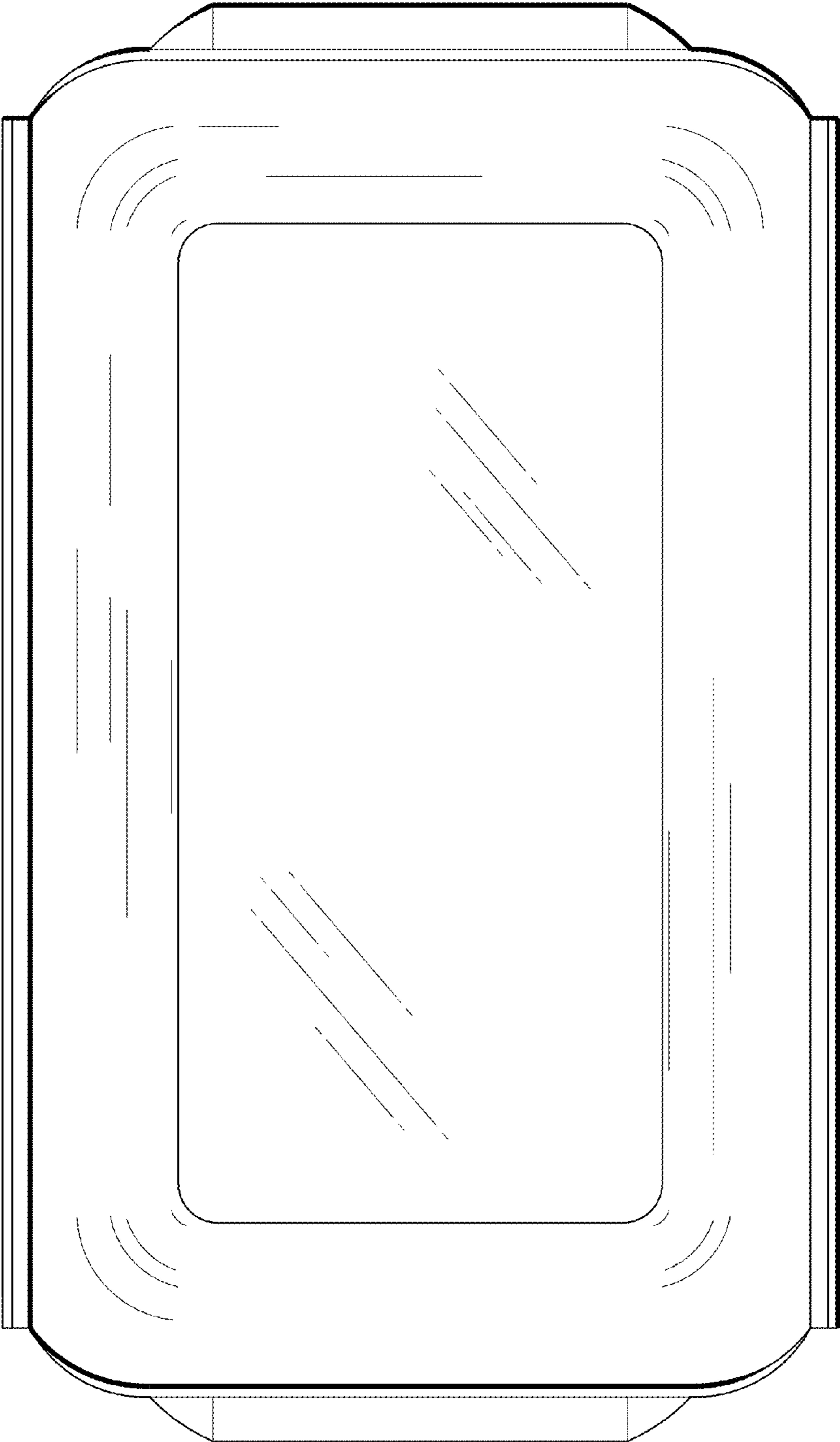


FIG. 6