



US00D681297S

(12) **United States Design Patent**
Swartwout

(10) **Patent No.:** **US D681,297 S**

(45) **Date of Patent:** **** Apr. 30, 2013**

(54) **TABLE TOP TRASH RECEPTACLE**

D649,728 S * 11/2011 Campbell D34/1
D663,089 S * 7/2012 Legreca et al. D34/1
D669,650 S * 10/2012 Ellis D34/1

(76) Inventor: **Patricia Lee Swartwout**, Denton, TX
(US)

* cited by examiner

(**) Term: **14 Years**

Primary Examiner — Cynthia Ramirez

(74) *Attorney, Agent, or Firm* — David G. Moore

(21) Appl. No.: **29/421,193**

(57) **CLAIM**

The ornamental design for a table top trash receptacle, as shown and described.

(22) Filed: **Jun. 11, 2012**

(51) **LOC (9) Cl.** **09-09**

DESCRIPTION

(52) **U.S. Cl.**
USPC **D34/1**

(58) **Field of Classification Search** D34/1;
220/908, 908.1, 908.2, 908.3, 909, 910, 911
See application file for complete search history.

(56) **References Cited**

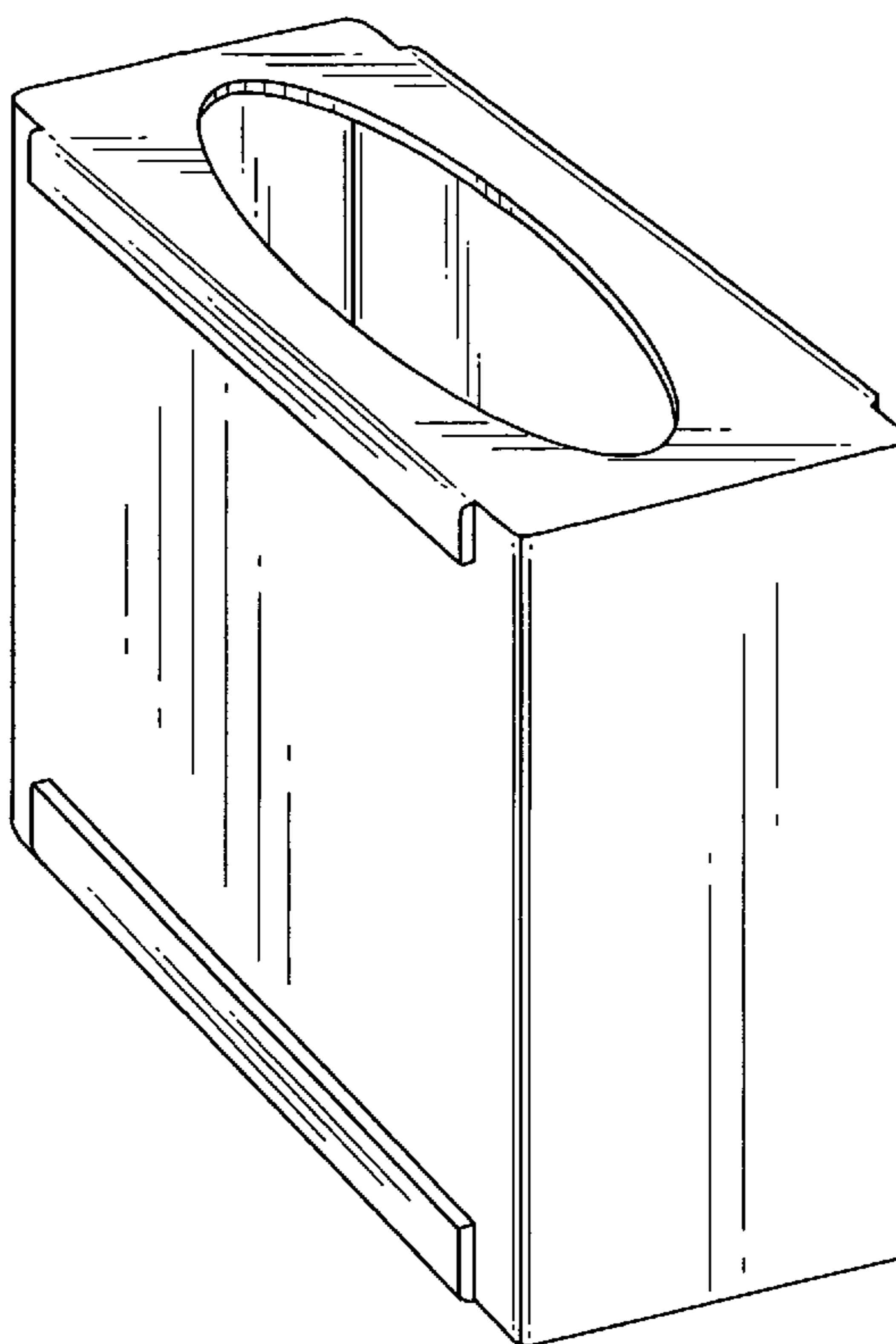
U.S. PATENT DOCUMENTS

4,856,675	A	*	8/1989	Palazzola	220/495.1
D362,525	S	*	9/1995	Kruger	D34/1
D376,456	S	*	12/1996	Presnell et al.	D34/1
D387,530	S	*	12/1997	Doxey	D34/1
D405,576	S	*	2/1999	Rausch	D34/1
D422,767	S	*	4/2000	Presser	D34/6
D448,133	S	*	9/2001	Windle	D34/1
D480,855	S	*	10/2003	Sofy et al.	D34/1
D493,590	S	*	7/2004	Chen	D34/1
D555,317	S	*	11/2007	Yang et al.	D34/1
D566,365	S	*	4/2008	Wentz et al.	D34/1
D602,667	S	*	10/2009	Barbieri	D34/1

FIG. 1 is an oblique perspective of the table top trash receptacle showing my new design;
FIG. 2 is a view of the front side of the table top trash receptacle;
FIG. 3 is a view of the top of the table top trash receptacle;
FIG. 4 is a view of the bottom of the table top trash receptacle;
FIG. 5 is a view of the back side of the table top trash receptacle;
FIG. 6 is a view of the left side of the table top trash receptacle;
FIG. 7 is a view of the right side of the table top trash receptacle; and,
FIG. 8 is an oblique environmental view of the table top trash receptacle.

The broken line showing of a table and containers in FIG. 8 is included for the purpose of illustrating environment and forms no part of the claimed design.

1 Claim, 6 Drawing Sheets



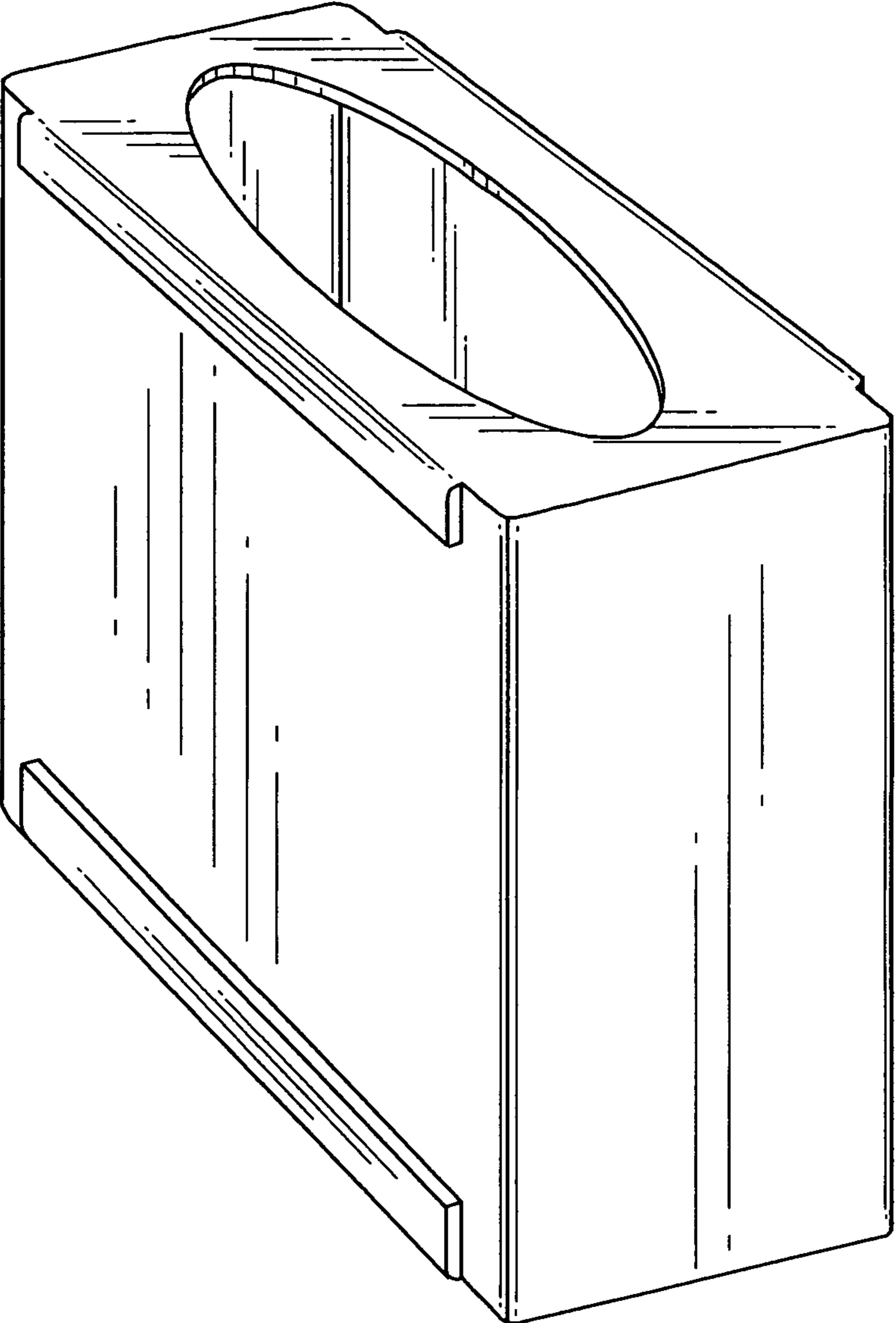


Fig. 1

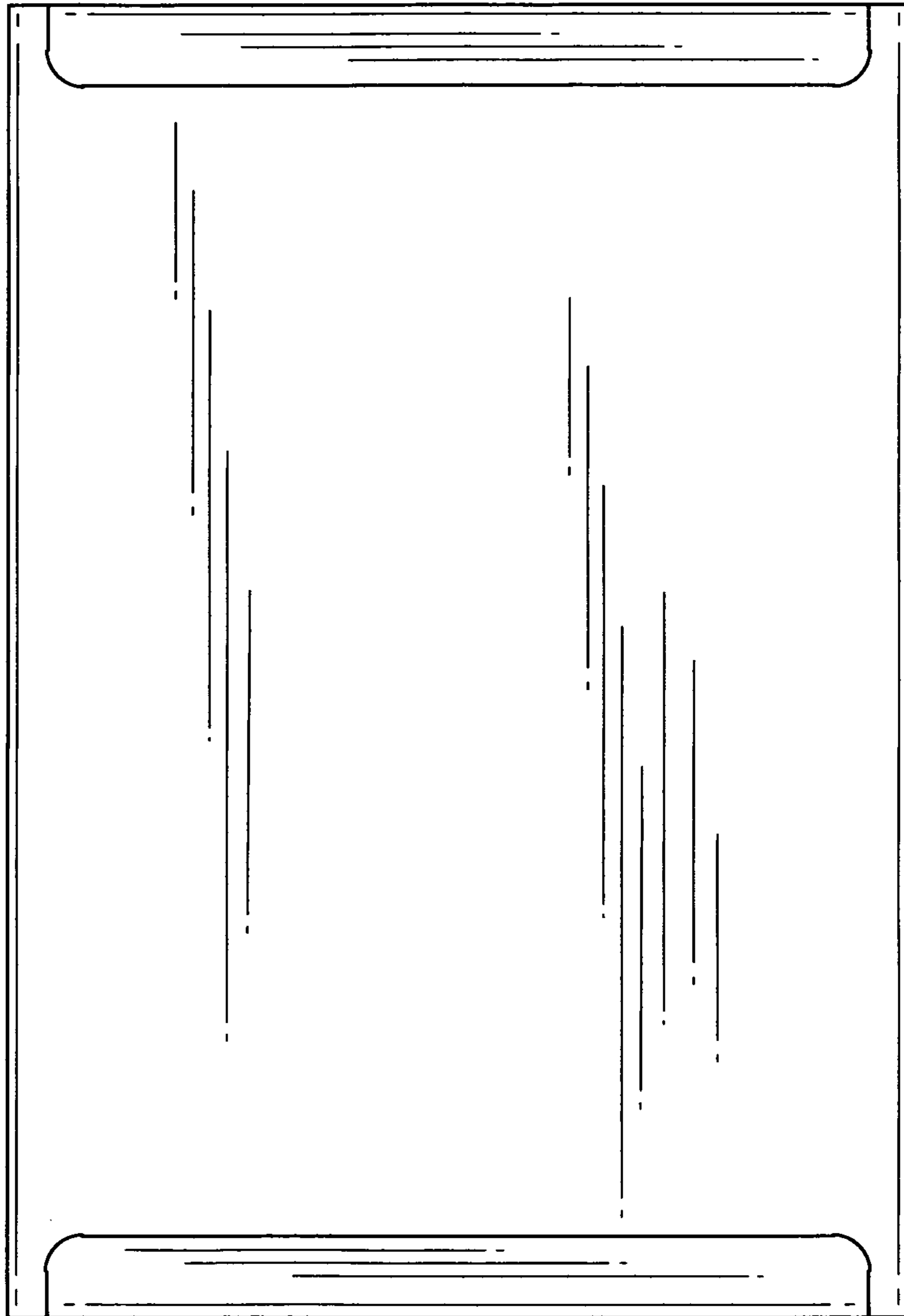


Fig. 2

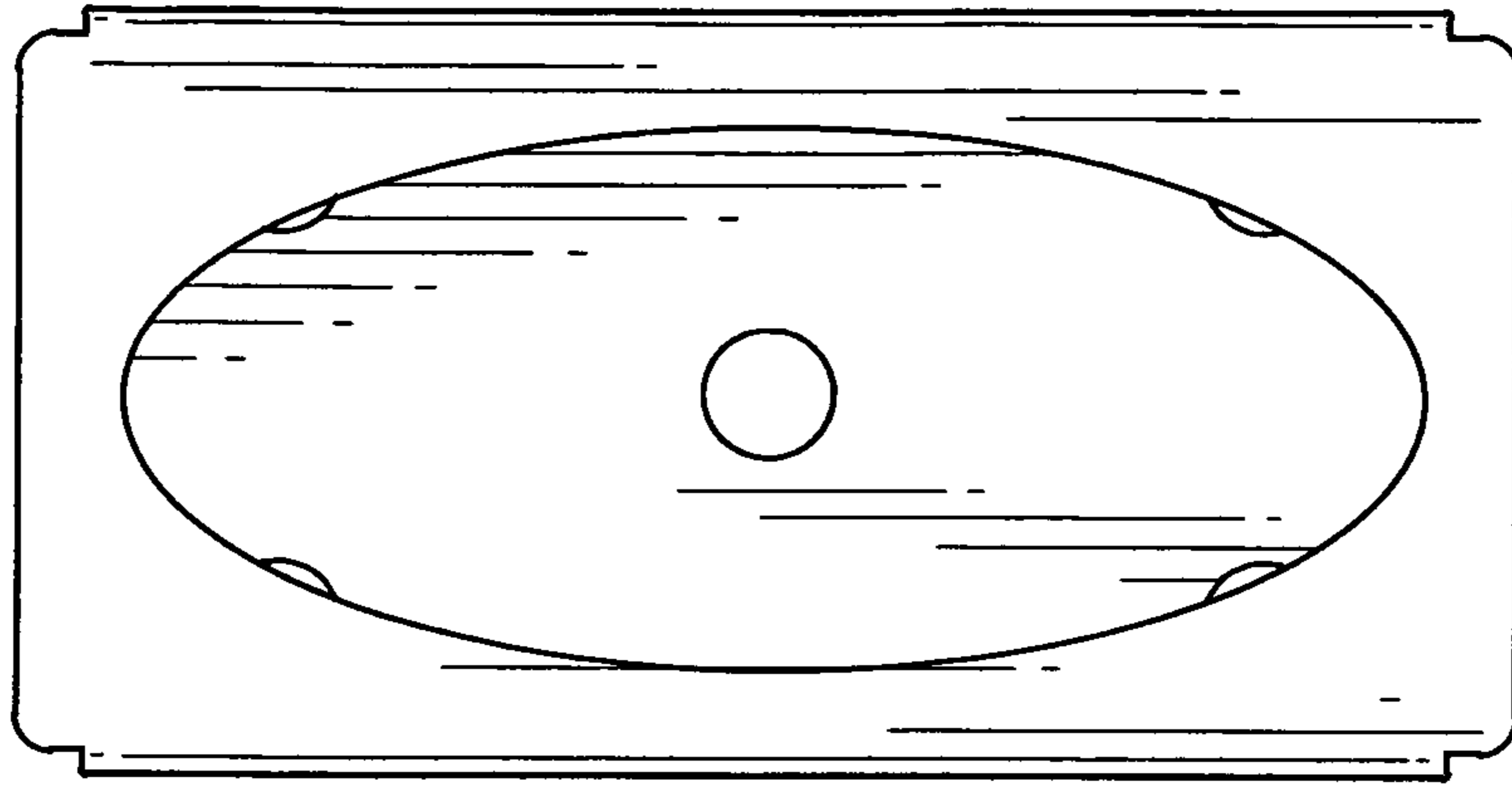


Fig. 3

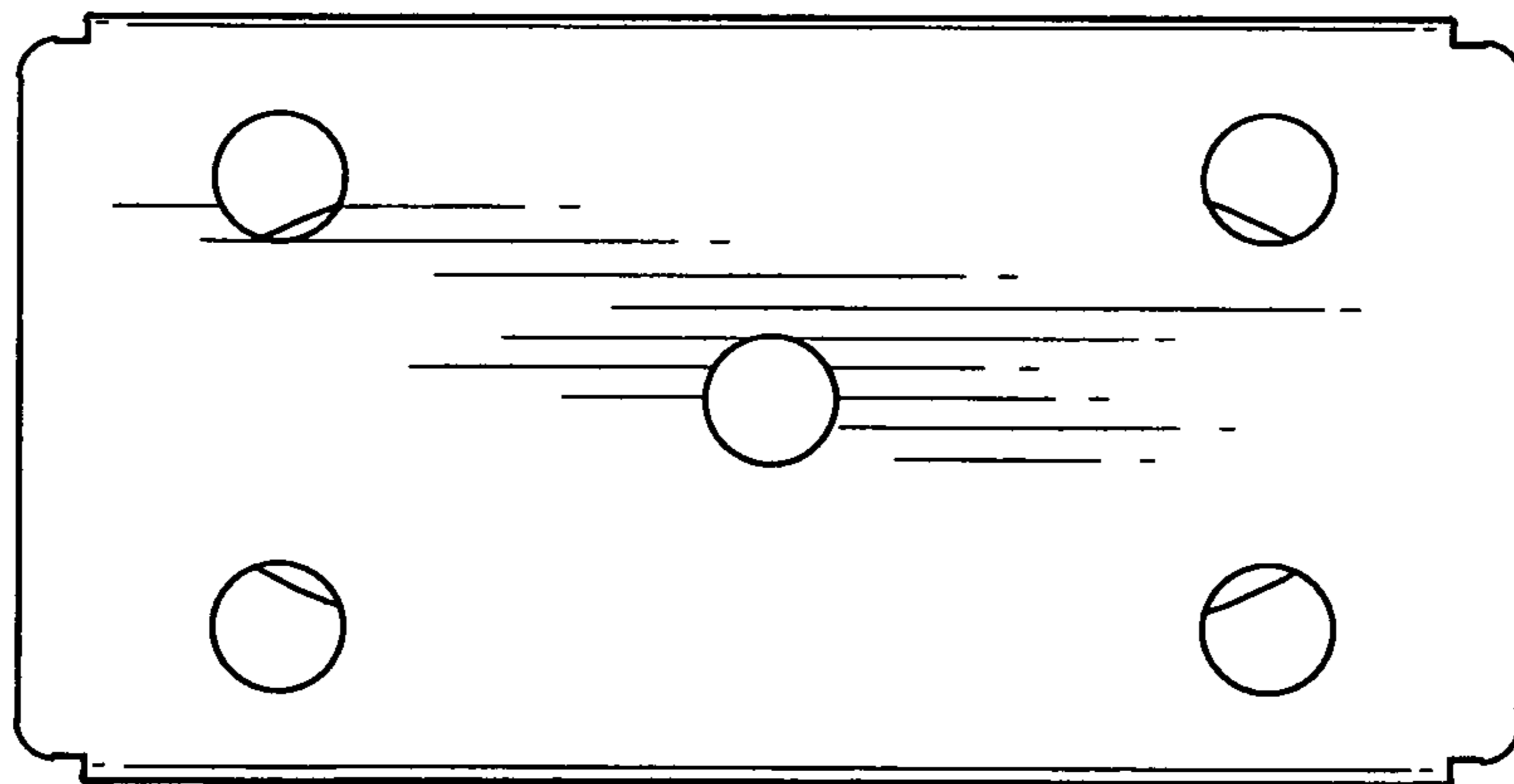


Fig. 4

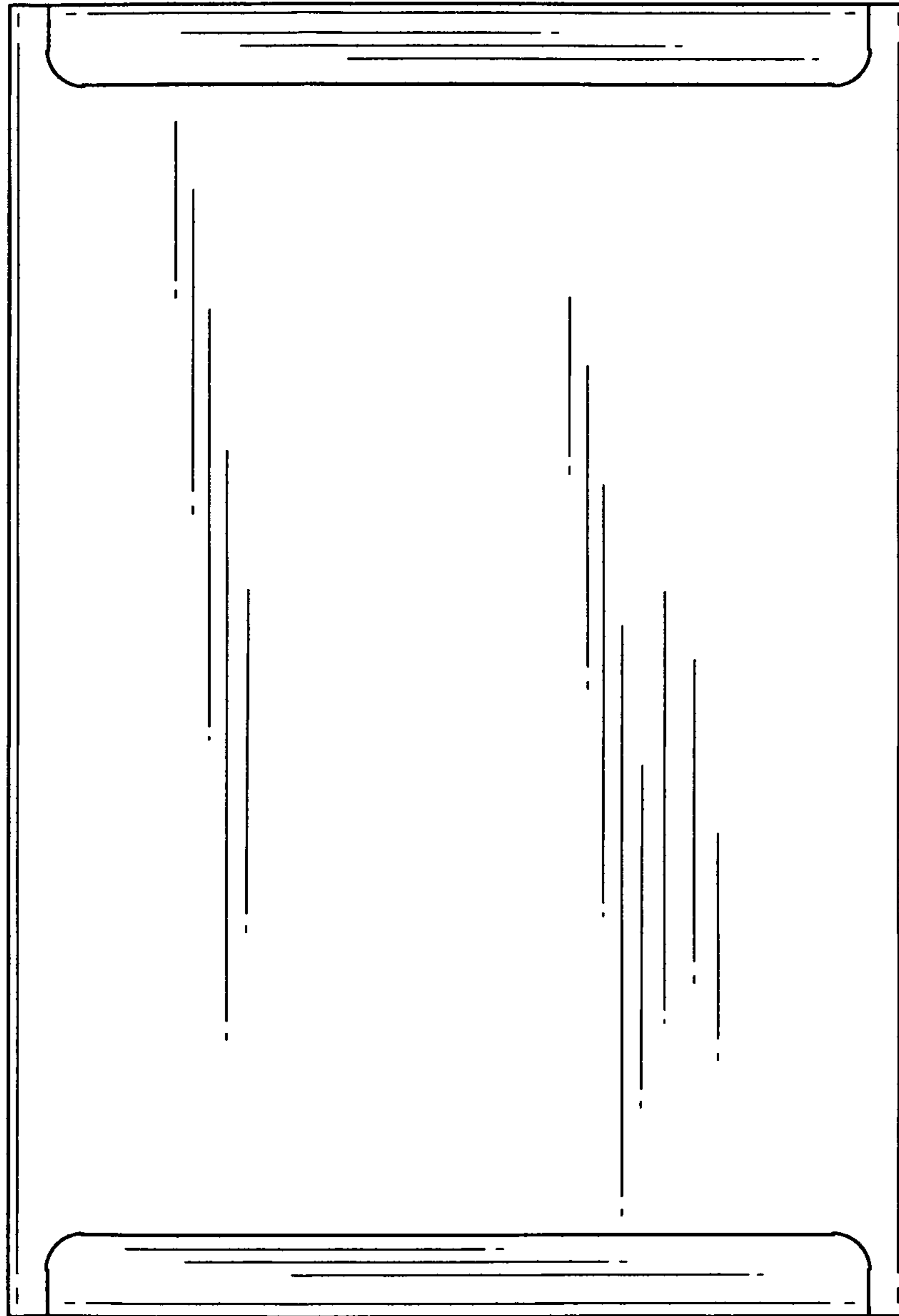


Fig. 5

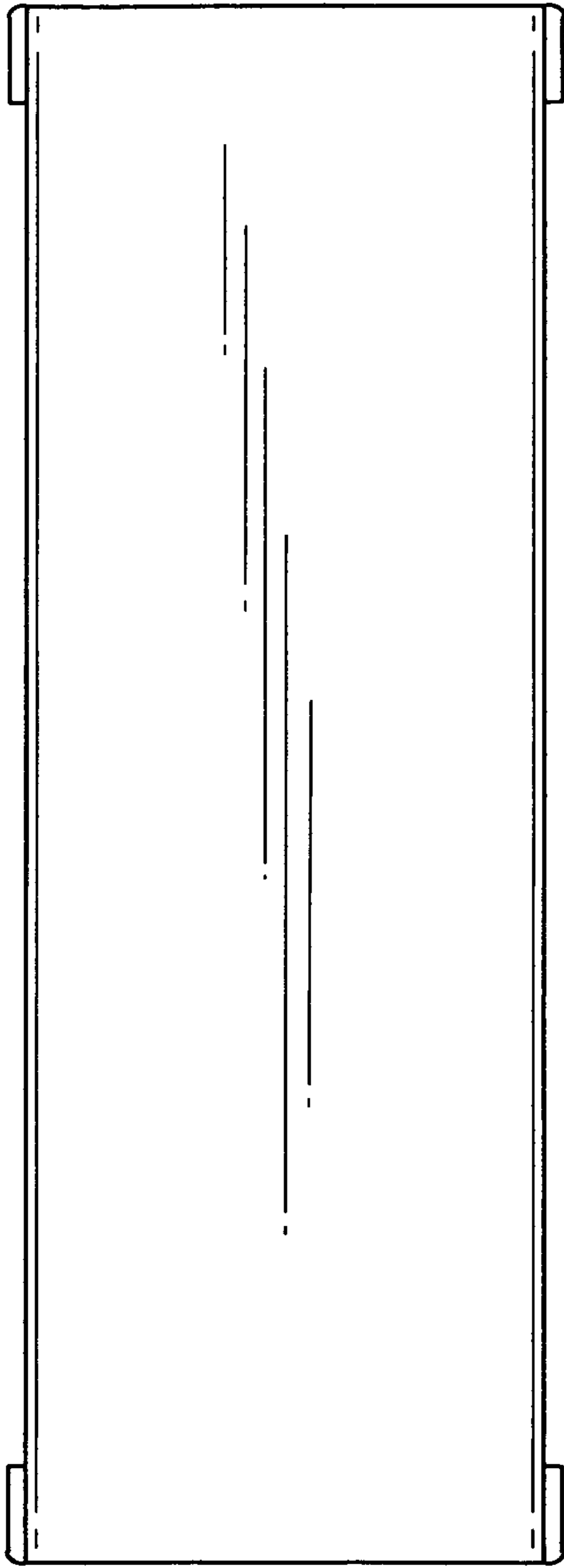


Fig. 6

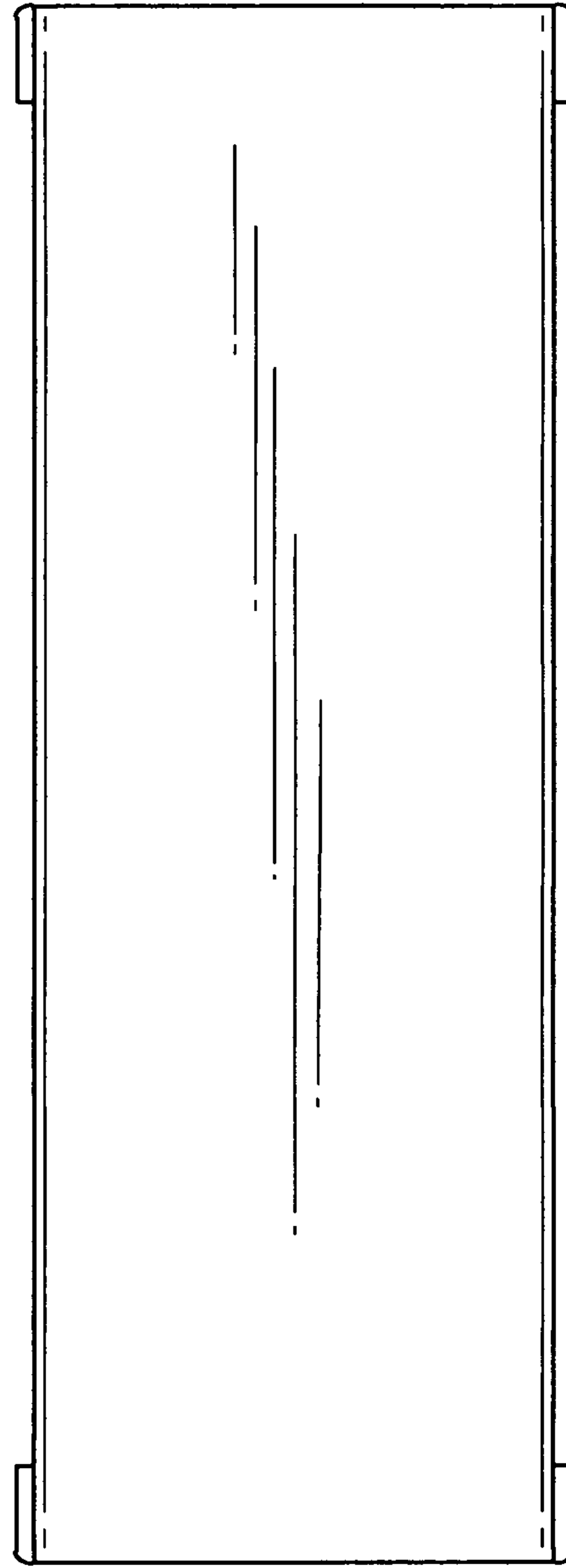


Fig. 7

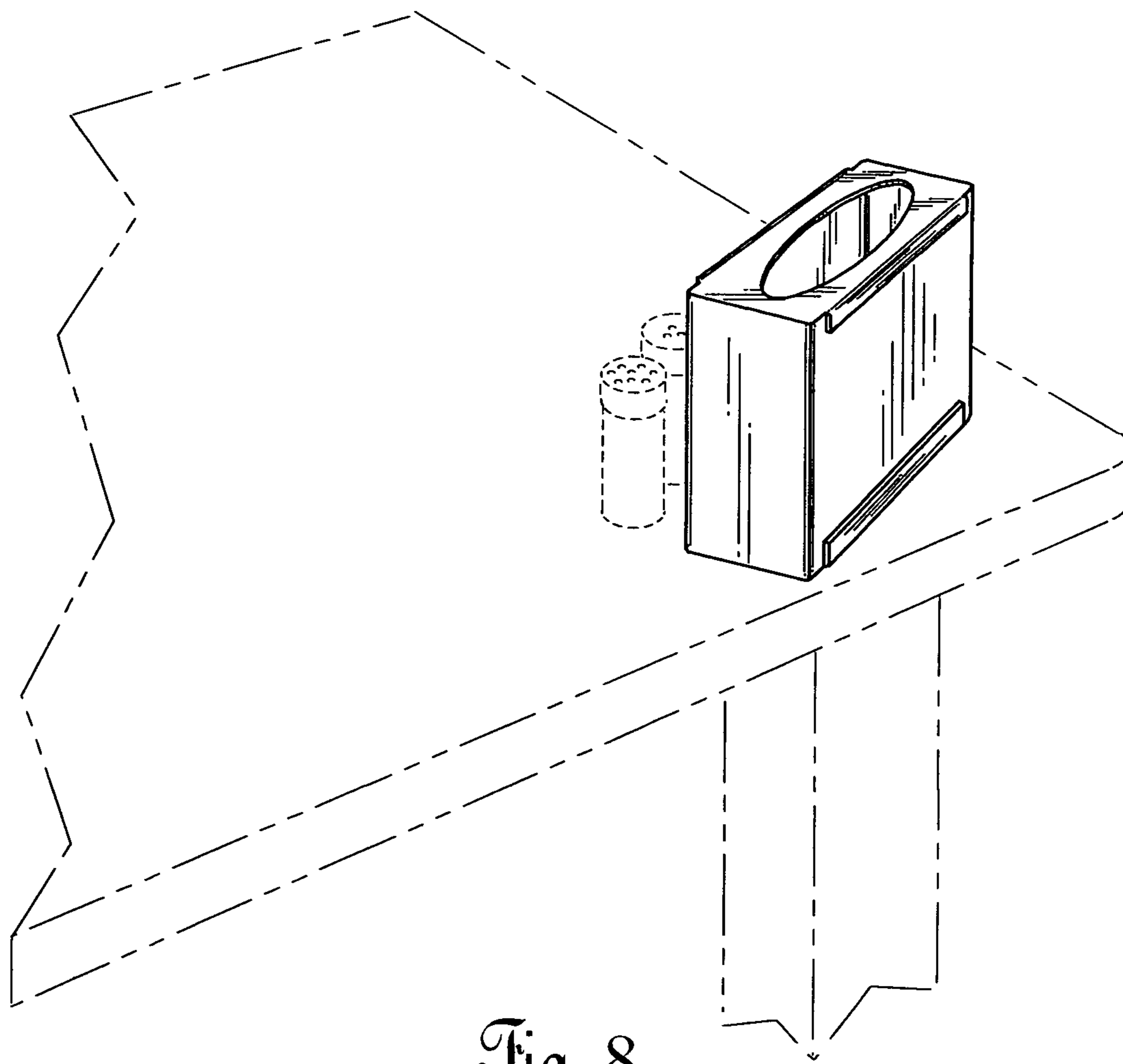


Fig. 8