



US00D681292S

(12) **United States Design Patent**  
**Fujiwara et al.**

(10) **Patent No.:** **US D681,292 S**  
(45) **Date of Patent:** **\*\* Apr. 30, 2013**

(54) **OPTICAL CONNECTOR CLEANER**

(75) Inventors: **Kunihiko Fujiwara**, Sakura (JP);  
**Junichi Nakane**, Sakura (JP)

(73) Assignee: **Fujikura Ltd.**, Tokyo (JP)

(\*\*) Term: **14 Years**

(21) Appl. No.: **29/423,203**

(22) Filed: **May 30, 2012**

(30) **Foreign Application Priority Data**

Apr. 5, 2012 (JP) ..... 2012-008028

(51) **LOC (9) Cl.** ..... **08-99**

(52) **U.S. Cl.**  
USPC ..... **D32/35**

(58) **Field of Classification Search** ..... D32/35,  
D32/40, 45, 52; D4/146, 114, 121, 127,  
D4/130, 132, 133, 136, 138; 15/97.1, 210.1,  
15/105.52, 107, 114, 118, 237, 142, 104.92,  
15/21.1, 320, 321, 323; 385/134  
See application file for complete search history.

(56) **References Cited**

U.S. PATENT DOCUMENTS

D304,543 S \* 11/1989 Somers et al. .... D8/61  
D609,867 S \* 2/2010 Fujiwara ..... D32/35  
D610,319 S \* 2/2010 Fujiwara ..... D32/35  
D623,369 S \* 9/2010 Sugita et al. .... D32/35  
D642,756 S \* 8/2011 Fujiwara et al. .... D32/35

8,266,755 B2 \* 9/2012 Nakane et al. .... 15/210.1  
2002/0131748 A1 \* 9/2002 Sato ..... 385/134  
2010/0043159 A1 \* 2/2010 Fujiwara ..... 15/97.1  
2012/0066849 A1 \* 3/2012 Fujiwara ..... 15/97.1

\* cited by examiner

*Primary Examiner* — John Windmuller

(74) *Attorney, Agent, or Firm* — Nixon & Vanderhye P.C.

(57) **CLAIM**

The ornamental design for an optical connector cleaner, as shown and described.

**DESCRIPTION**

FIG. 1 is a perspective view from the front side of an optical connector cleaner.

FIG. 2 is a perspective view from the rear side thereof.

FIG. 3 is a front elevation view thereof.

FIG. 4 is a rear elevation view thereof.

FIG. 5 is a top plan view thereof.

FIG. 6 is a bottom plan view thereof.

FIG. 7 is a left side elevation view thereof.

FIG. 8 is a right side elevation view thereof.

FIG. 9 is a perspective view with a guide cap attached.

FIG. 10 is a perspective view with the lid of the guide cap opened; and,

FIG. 11 is a perspective view with the guide cap removed.

The guide cap shown in broken lines is environmental structure only and forms no part of the claimed design.

**1 Claim, 10 Drawing Sheets**

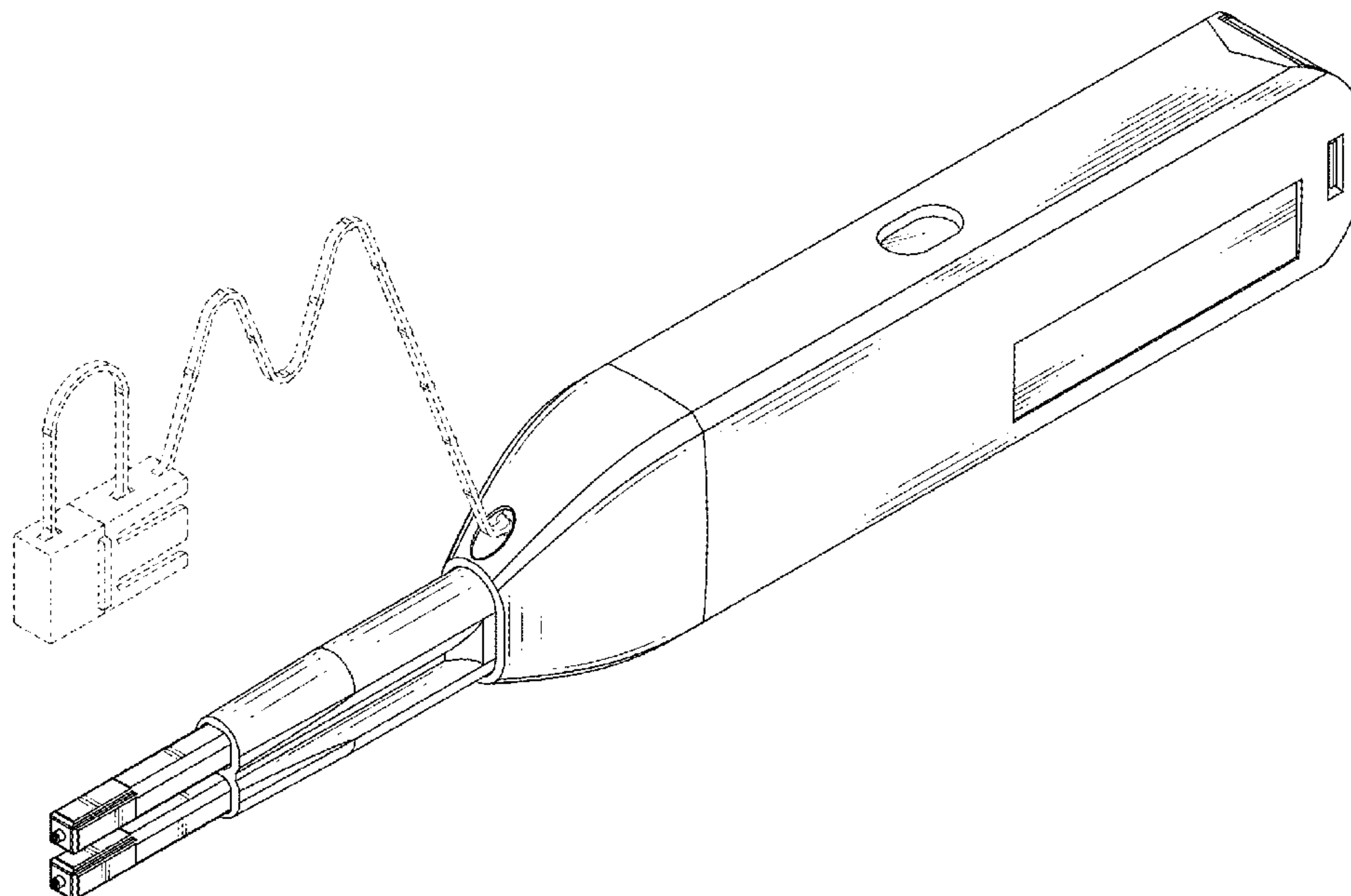


FIG. 1

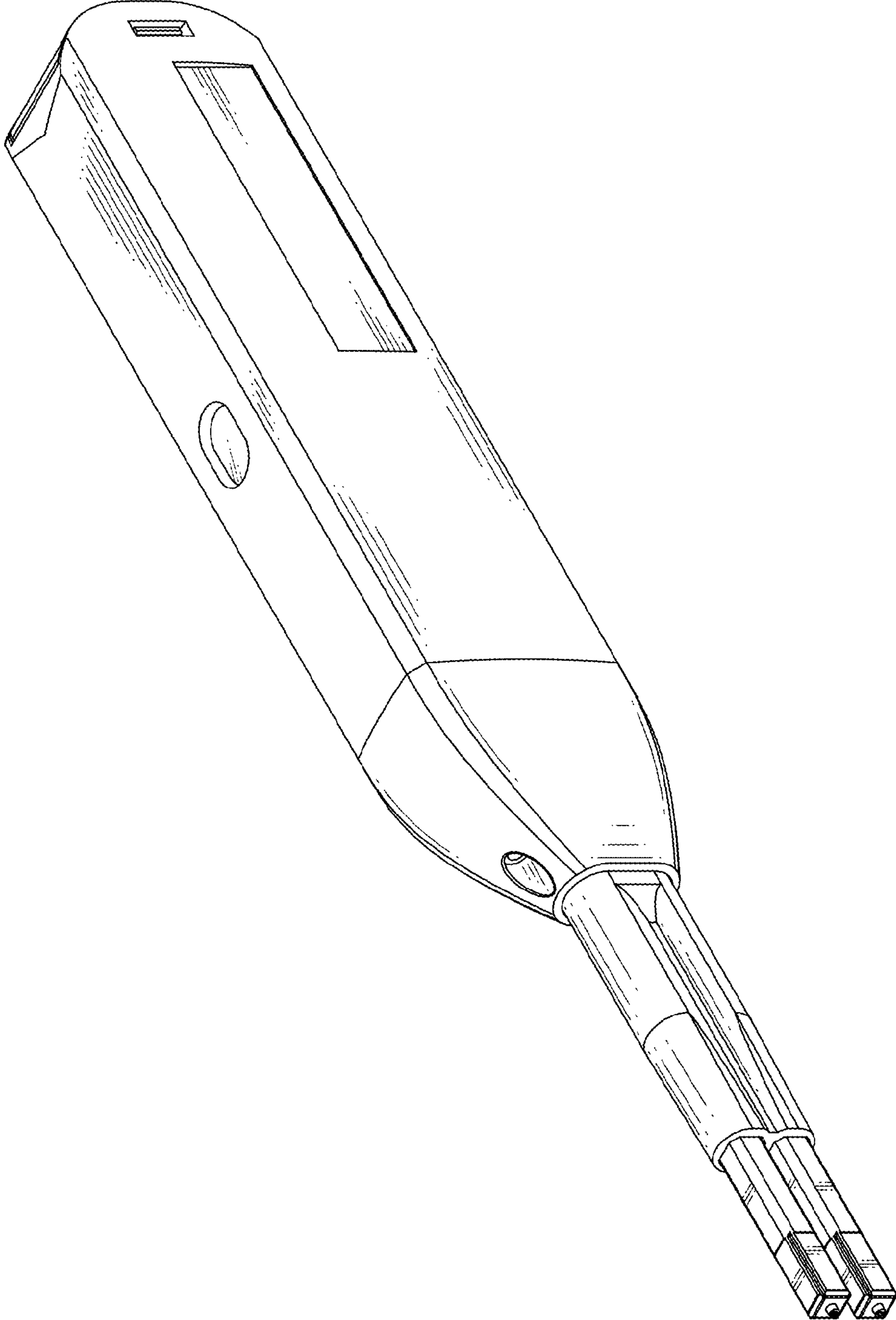


FIG. 2

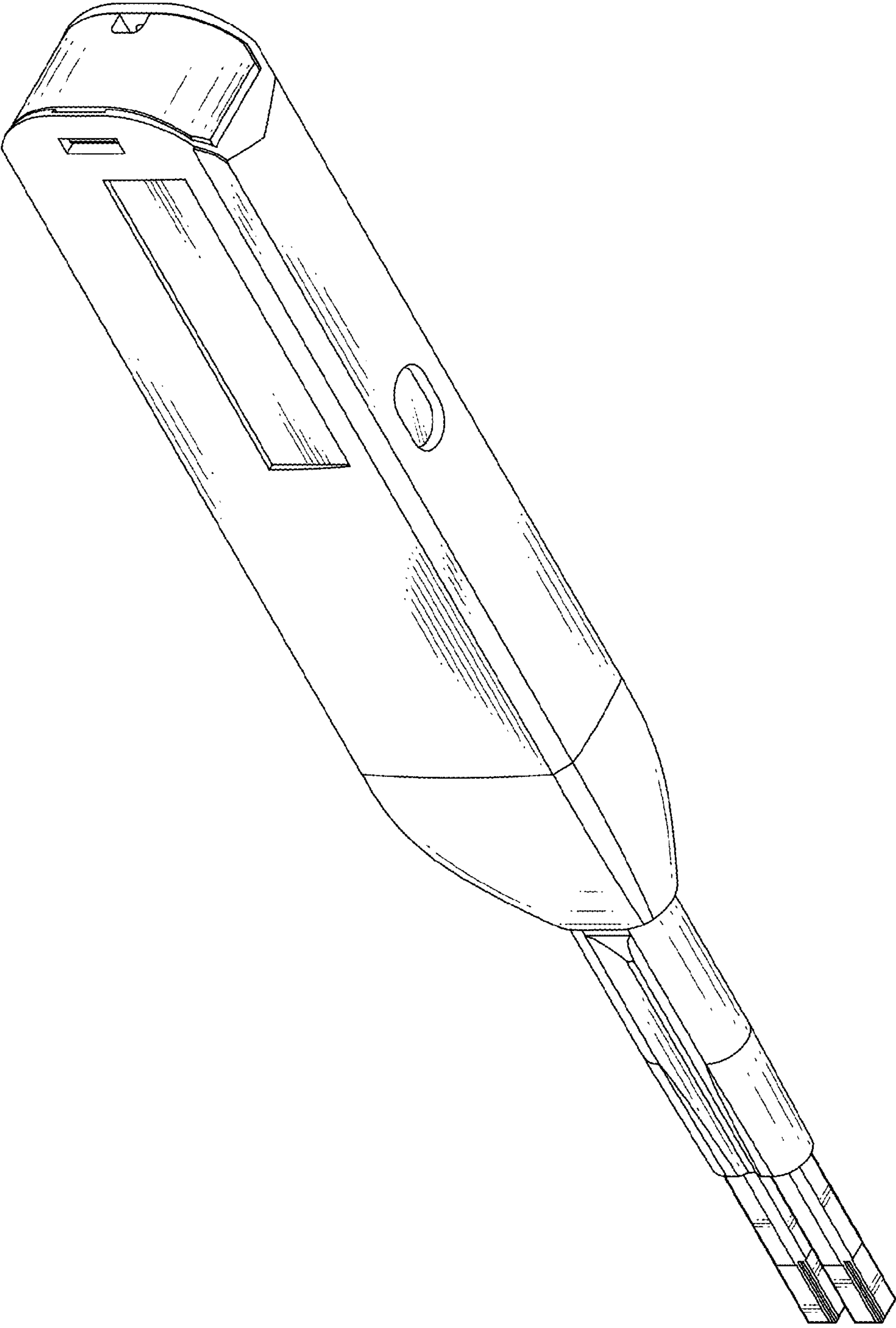


FIG. 3

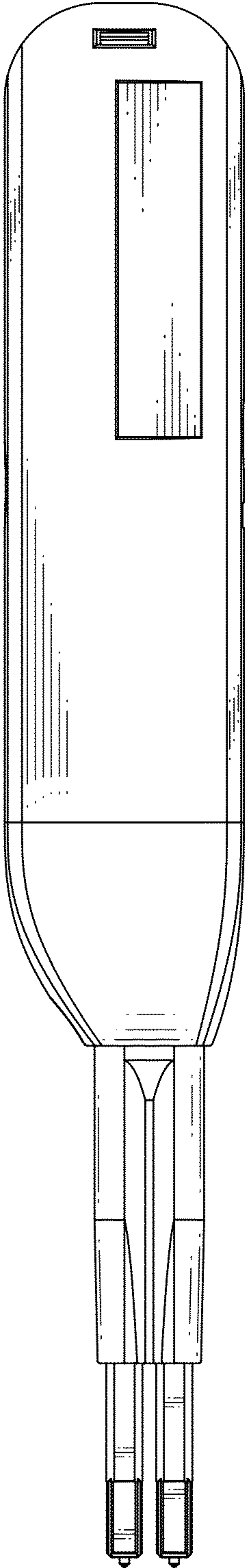


FIG. 4

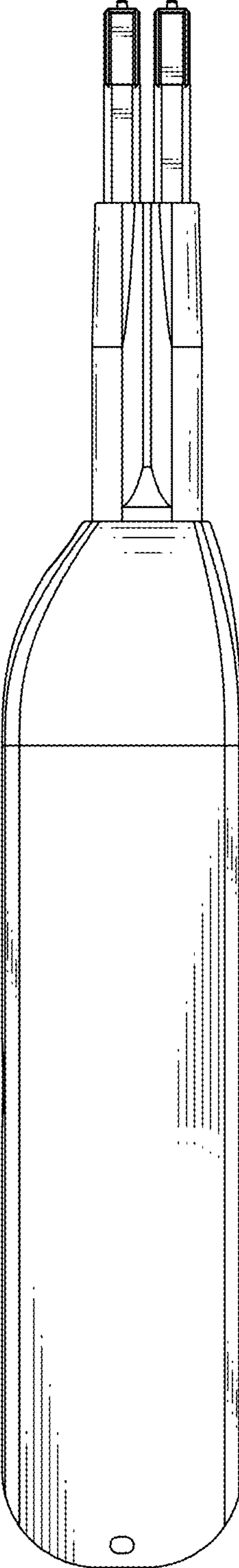




FIG. 5

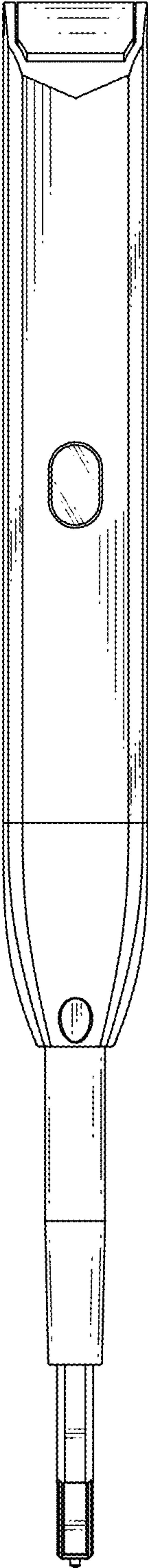


FIG. 6

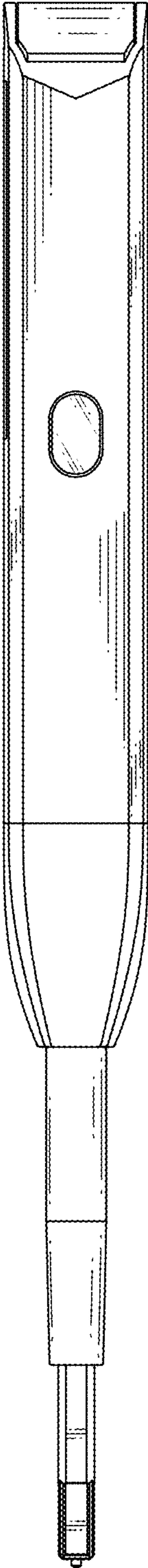


FIG. 8

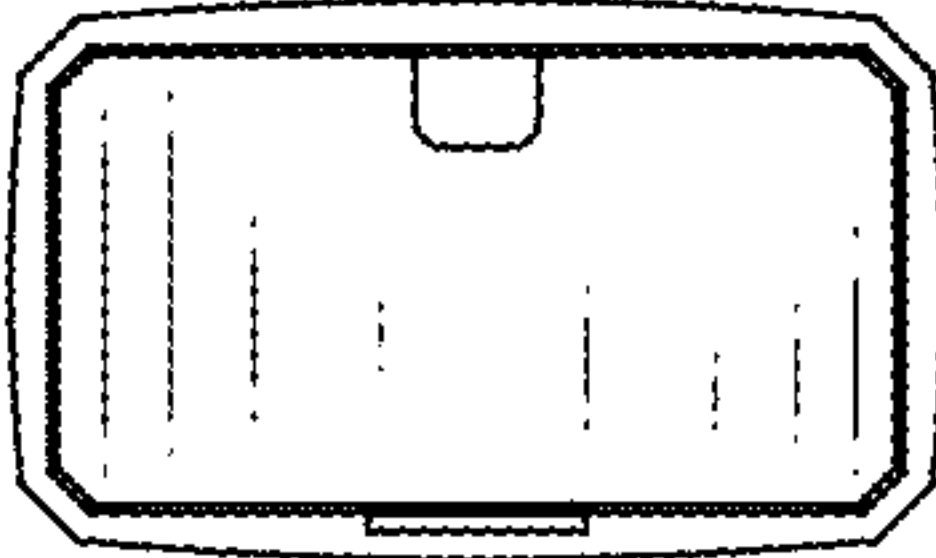


FIG. 7

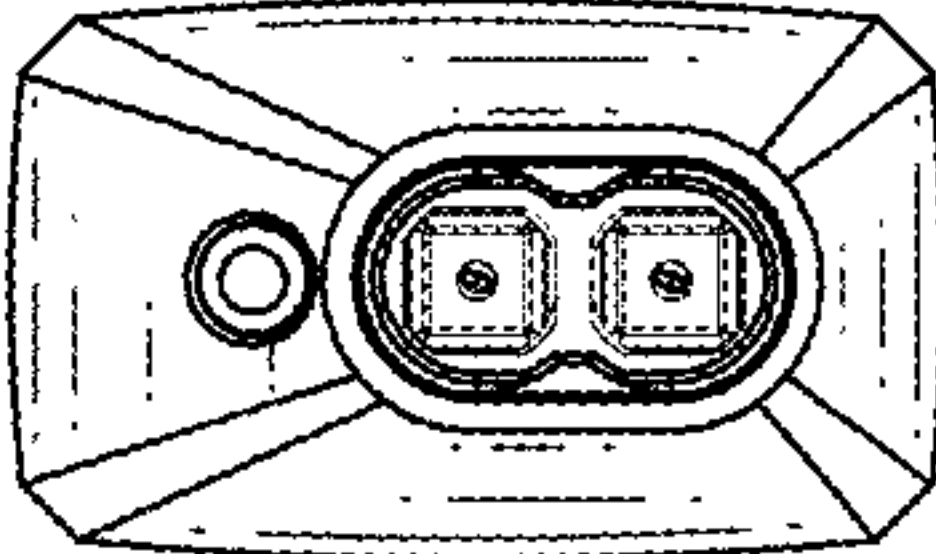




FIG. 9

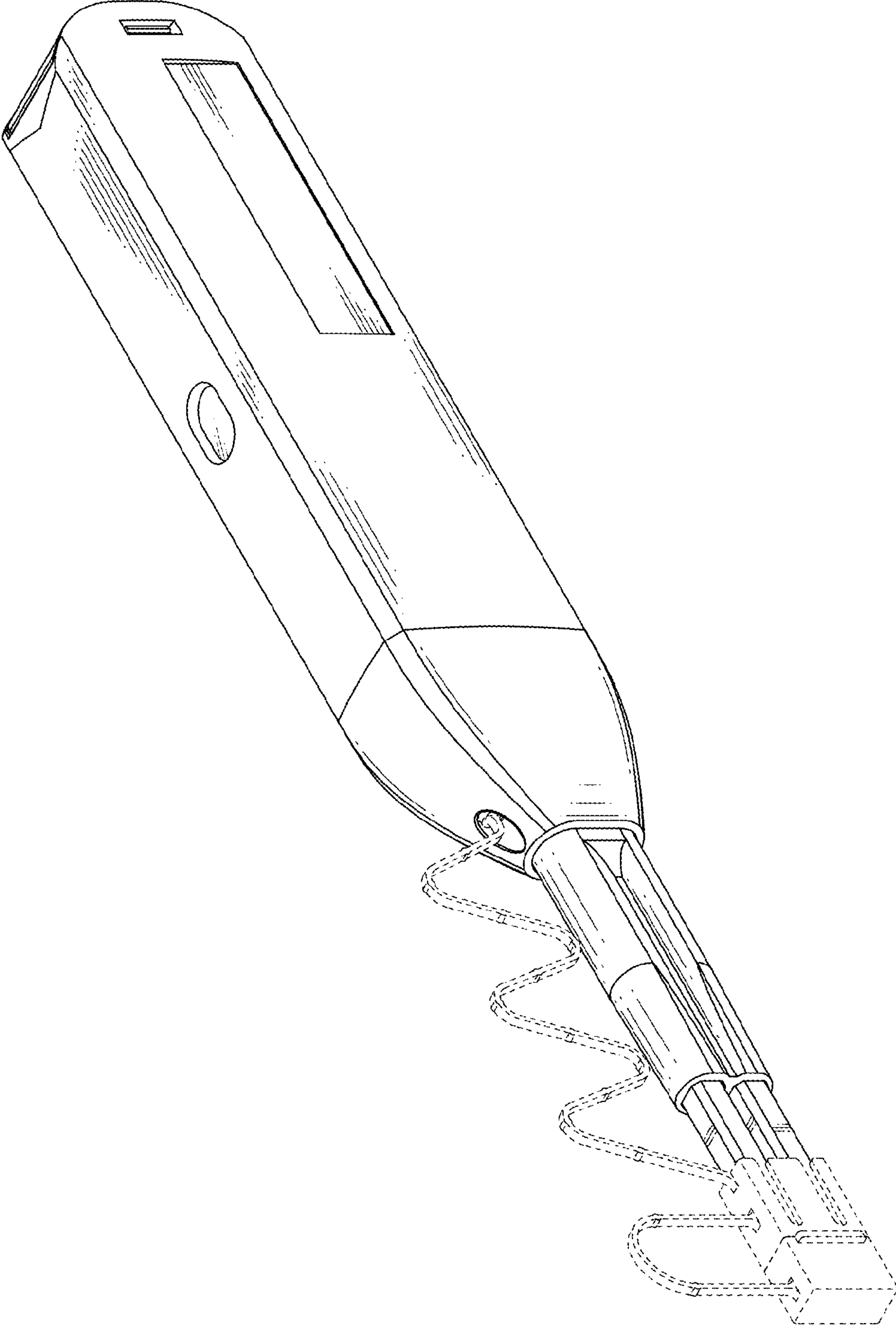


FIG. 10

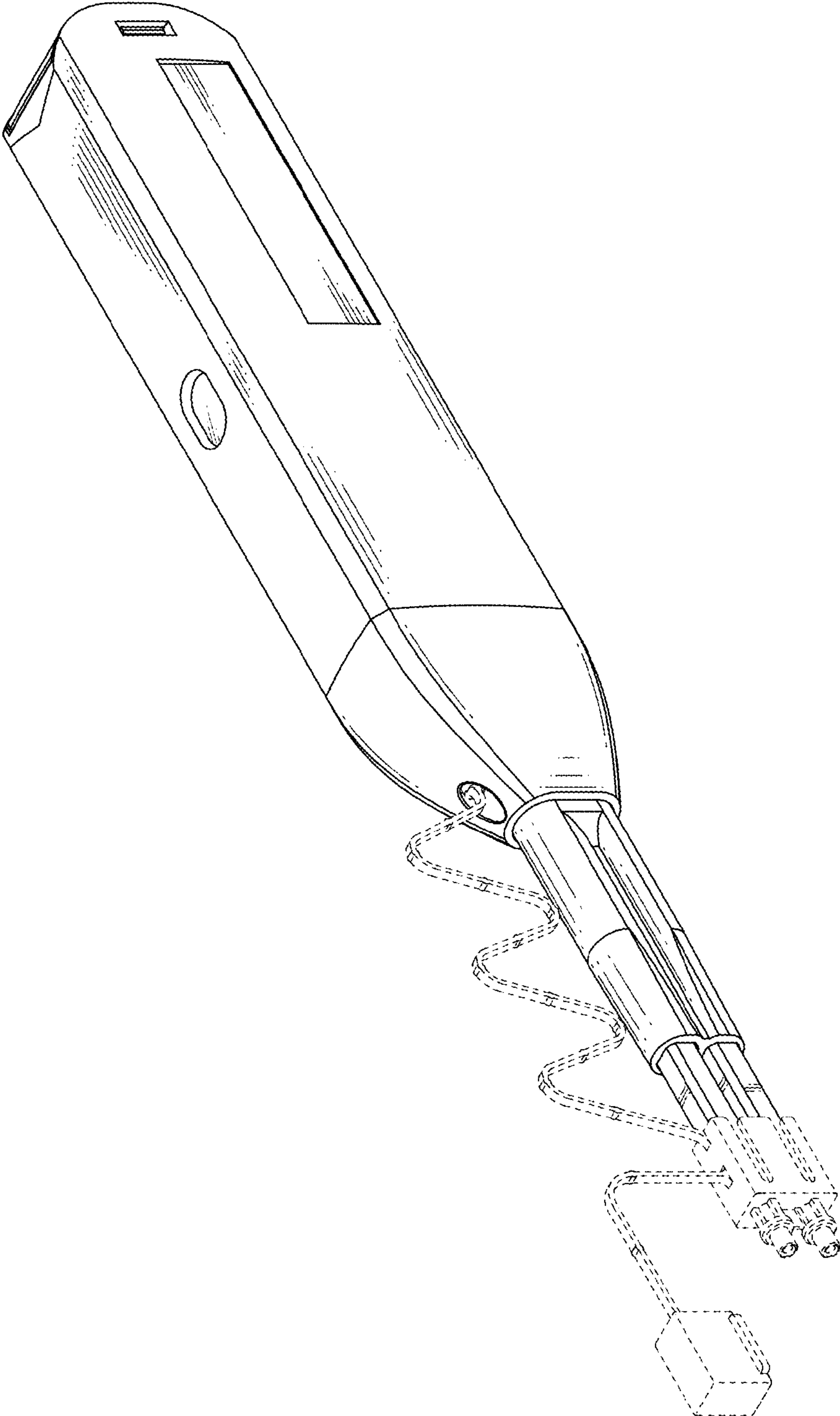


FIG. 11

