



US00D681286S

(12) **United States Design Patent**  
**Namvong et al.**

(10) **Patent No.:** **US D681,286 S**  
(45) **Date of Patent:** **\*\* Apr. 30, 2013**

(54) **PET FOOD AND WATER DISH**  
(76) Inventors: **Kong Namvong**, Murrieta, CA (US);  
**Sourichanh Thongdynalay**, Menifee,  
CA (US)  
(\*\*) **Term:** **14 Years**  
(21) **Appl. No.:** **29/424,891**  
(22) **Filed:** **Jun. 16, 2012**  
(51) **LOC (9) Cl.** ..... **30-03**  
(52) **U.S. Cl.**  
USPC ..... **D30/130; D30/133; D30/132; D30/129**  
(58) **Field of Classification Search** ..... D30/121,  
D30/122, 129-133; 119/61, 61.52-61.54,  
119/62, 63, 51.02, 61.5, 51.5, 51.12, 74,  
119/57.8, 18, 51.01, 61.3, 52.03, 52.04, 57.9,  
119/61.55, 72, 61.57; D7/553.1, 502, 504,  
D7/505, 506, 553-555, 550.1, 557.1; D27/134;  
220/263, 657, 659, 495.01  
See application file for complete search history.

D176,252 S \* 12/1955 Duncan ..... D7/555  
D176,824 S \* 1/1956 Sacha et al. .... D7/555  
D180,314 S \* 5/1957 Bair ..... D7/691  
2,796,042 A \* 6/1957 Cope  
D180,963 S \* 9/1957 Silos ..... D7/555  
D184,224 S \* 1/1959 Gorzelnik ..... D7/555  
D184,416 S \* 2/1959 Anderson ..... D7/555  
D184,888 S \* 4/1959 Pickett ..... D7/555  
D185,872 S \* 8/1959 Forsman  
D186,040 S \* 9/1959 Stageberg ..... D7/566  
3,051,346 A \* 8/1962 Grogel ..... 220/23.8  
D196,376 S \* 9/1963 Hines ..... D7/397  
D199,072 S \* 9/1964 Lewis ..... D7/555  
3,205,861 A \* 9/1965 Moore ..... 119/61.3  
D204,073 S \* 3/1966 Lovett et al. .... D7/555  
3,272,181 A \* 9/1966 Ramsey ..... 119/76  
D213,387 S \* 2/1969 Cronheim ..... D7/409  
D220,313 S \* 3/1971 Collie ..... D9/737  
3,589,554 A \* 6/1971 Smith  
D221,884 S \* 9/1971 Selz ..... D7/555  
D223,586 S \* 5/1972 Burden ..... D7/555  
D232,203 S \* 7/1974 Montgomery ..... D7/555

(Continued)

**OTHER PUBLICATIONS**

U.S. Appl. No. 29/301,204, Namvong.

*Primary Examiner* — Susan Moon Lee

(56) **References Cited**

**U.S. PATENT DOCUMENTS**

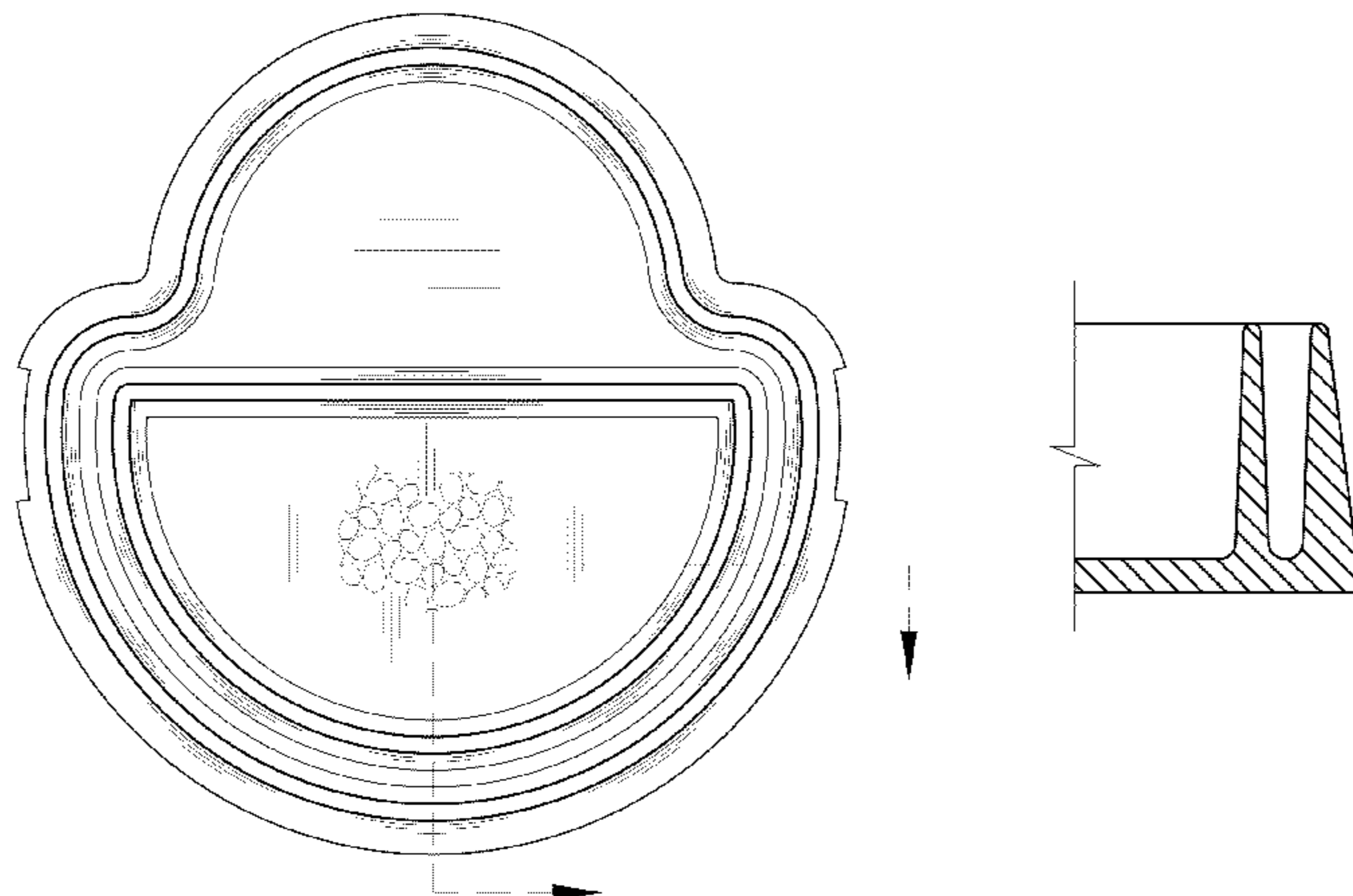
D9,661 S \* 12/1876 Heuacker ..... D7/555  
531,527 A \* 12/1894 Haag  
D38,779 S \* 9/1907 Willhelm et al. .... D7/555  
D38,950 S \* 12/1907 Anderson ..... D7/555  
D42,682 S \* 7/1912 Andersen ..... D7/555  
D43,656 S \* 2/1913 Van De Verg ..... D7/555  
D44,315 S \* 7/1913 Jansen ..... D7/555  
D52,278 S \* 8/1918 Kraus ..... D7/555  
D57,119 S \* 2/1921 Eaton  
D89,791 S \* 5/1933 Pitmann ..... D7/555  
D91,084 S \* 11/1933 Pitmann ..... D7/555  
D99,827 S \* 5/1936 Scaman ..... D7/555  
D106,779 S \* 11/1937 Andre ..... D7/360  
D132,100 S \* 4/1942 Ipsen ..... D7/555  
D149,151 S \* 3/1948 Southworth ..... D30/130  
D150,917 S \* 9/1948 Berg ..... D30/129  
D157,699 S \* 3/1950 Pomeroy ..... D7/555  
D159,350 S \* 7/1950 La Tour  
D162,371 S \* 3/1951 Bauer ..... D32/35  
2,549,440 A \* 4/1951 Erro ..... 220/23.6  
2,554,086 A \* 5/1951 Block ..... 119/51.5  
2,677,350 A \* 5/1954 Prestidge et al. .... 119/61.53

(57) **CLAIM**  
The ornamental design for a pet food and water dish, as shown  
and described.

**DESCRIPTION**

FIG. 1 is a top view of the pet food and water dish showing the  
design.  
FIG. 2 is a front side view of the design;  
FIG. 3 is a rear side view of the design;  
FIG. 4 is a bottom view of the design;  
FIG. 5 is a right side view of the design;  
FIG. 6 is a left side view of the design; and,  
FIG. 7 is a partial cross-sectional elevation view as indicated  
by the view lines in FIG. 1.  
The broken line showing of food in FIG. 1 is for illustrative  
purposes only and forms no part of the claimed design.

**1 Claim, 2 Drawing Sheets**

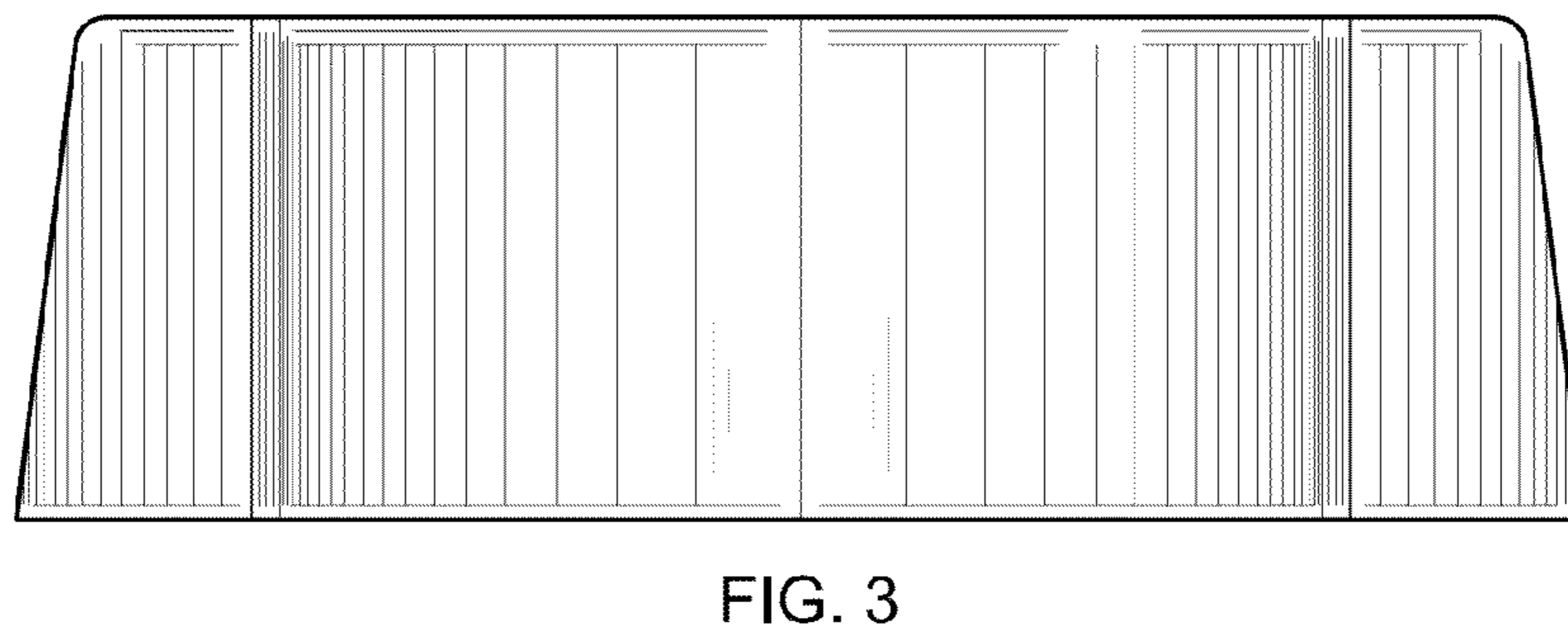
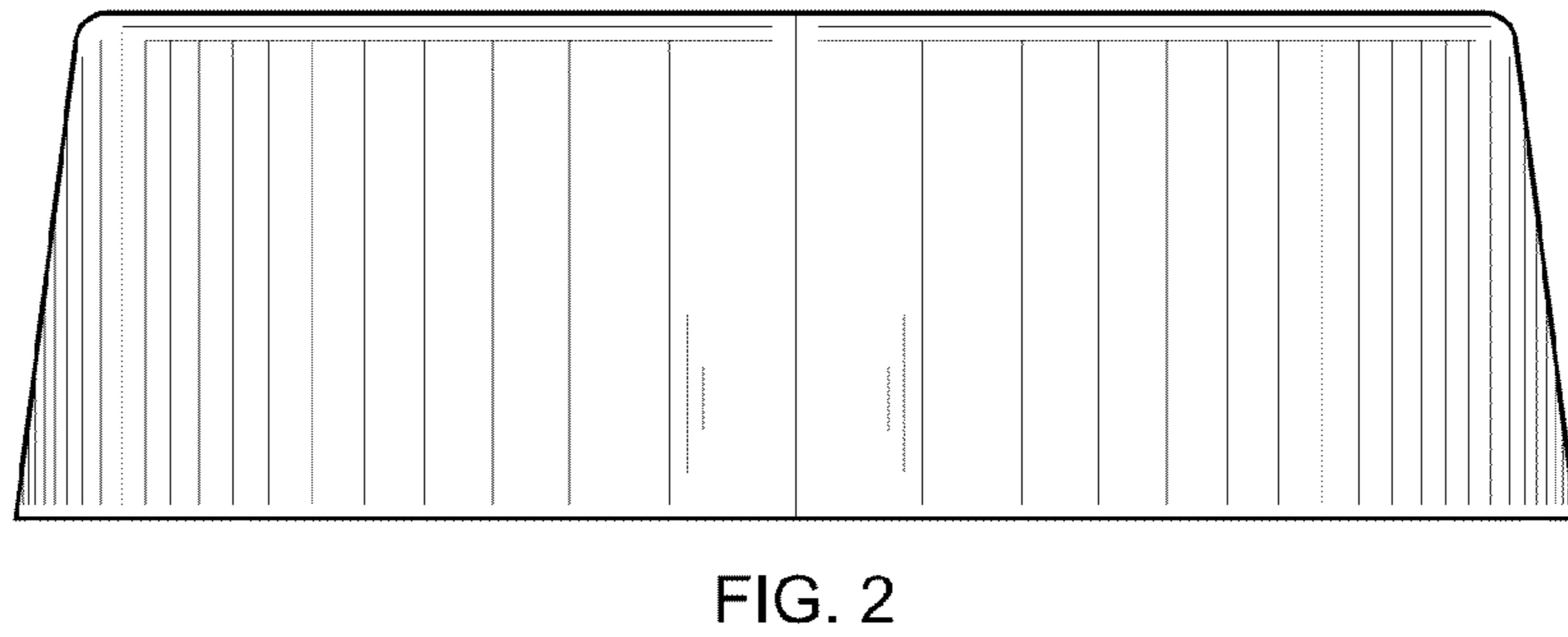
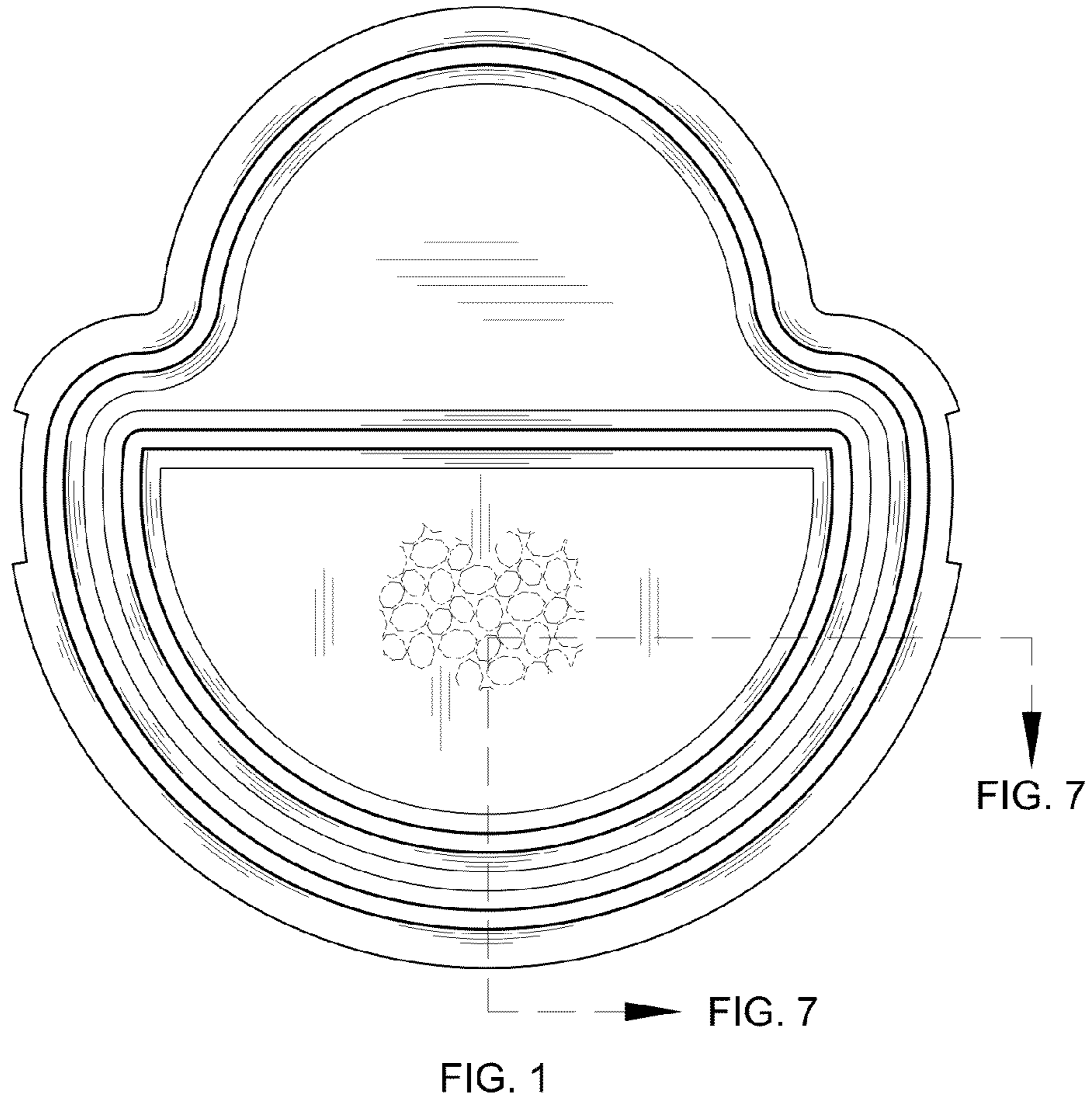


# US D681,286 S

## U.S. PATENT DOCUMENTS

3,841,268	A	10/1974	Bunger		
3,903,845	A *	9/1975	Little	119/81	
4,003,340	A	1/1977	Kuzara et al.		
D244,947	S	7/1977	Gerber		
D244,948	S *	7/1977	Foley et al.	D30/130	
4,128,080	A	12/1978	Haney		
D254,454	S	3/1980	Clungston		
D254,754	S *	4/1980	Harrison	D30/129	
D257,108	S *	9/1980	Daenen	D7/587	
D262,069	S *	11/1981	Khider	D30/130	
D268,645	S *	4/1983	Phillips et al.	D9/761	
D268,728	S	4/1983	Poling		
D269,045	S	5/1983	Easton		
D289,452	S *	4/1987	Fuller	D30/132	
D294,531	S	3/1988	Neuzig		
D297,115	S *	8/1988	Fontana et al.	D9/737	
D297,116	S *	8/1988	Fontana et al.	D9/737	
D297,117	S *	8/1988	Fontana et al.	D9/737	
D297,118	S *	8/1988	Fontana et al.	D9/737	
D297,119	S *	8/1988	Fontana et al.	D9/737	
D297,865	S *	9/1988	Eskina	D27/102	
D299,771	S *	2/1989	Kennedy	D30/130	
D302,755	S	8/1989	Zaliti		
D305,191	S *	12/1989	Wasserman	D7/555	
4,896,627	A	1/1990	Riddell		
4,925,047	A *	5/1990	Valentine et al.	220/23.83	
D309,846	S *	8/1990	Pozzi	D7/587	
D312,896	S	12/1990	Goetz		
D313,488	S *	1/1991	Conner	D30/130	
D313,489	S *	1/1991	Conner	D30/130	
4,989,742	A *	2/1991	Powell	220/23.4	
D326,742	S	6/1992	Tart		
5,153,950	A	10/1992	Sowers		
5,184,750	A *	2/1993	Moller	220/575	
5,236,119	A *	8/1993	Chu	229/407	
D342,353	S	12/1993	Anastasi		
5,277,149	A	1/1994	East		
D345,084	S *	3/1994	Williams	D7/553.8	
D346,465	S	4/1994	Russell et al.		
D347,354	S *	5/1994	Naft	D7/354	
D351,997	S *	11/1994	Finnah	D9/737	
D352,367	S *	11/1994	Gryzlak	D30/123	
D353,742	S *	12/1994	Lewis et al.	D7/558	
5,381,901	A *	1/1995	Hundley	206/457	
D359,494	S *	6/1995	Hedaya	D14/224	
D360,497	S	7/1995	Lewis		
D363,573	S *	10/1995	Rehn	D30/130	
5,485,806	A	1/1996	Watanabe		
D373,052	S *	8/1996	Di Biase	D7/555	
D374,515	S	10/1996	Benson, II		
5,560,315	A	10/1996	Lampe		
5,588,393	A *	12/1996	Heilborn	119/28.5	
5,598,944	A *	2/1997	Aragona	220/575	
5,632,228	A	5/1997	Ybarra		
D386,075	S *	11/1997	Hayes et al.	D9/761	
D386,358	S *	11/1997	Pfeilsticker	D7/555	
5,697,512	A *	12/1997	Brickley	220/23.8	
D390,418	S *	2/1998	Jagger	D7/549	
D393,798	S *	4/1998	Joswick	D9/737	
5,743,210	A	4/1998	Lampe		
D394,001	S *	5/1998	Vilos	D9/737	
5,775,255	A *	7/1998	Louviere, III	119/51.5	
5,794,564	A	8/1998	Paro		
D398,524	S *	9/1998	Waterhouse	D9/737	
D401,009	S *	11/1998	Hicaro et al.	D27/102	
D402,509	S *	12/1998	Indekeu	D7/566	
5,842,437	A	12/1998	Burns		
5,853,105	A *	12/1998	Roman et al.	220/575	
D405,561	S *	2/1999	Willinger et al.	D30/129	
D410,820	S *	6/1999	Lofrano	D7/549	
D413,416	S	8/1999	Frank		
D414,409	S *	9/1999	Sanfilippo et al.	D9/761	
D415,657	S *	10/1999	Cornelissen	D7/566	
D415,933	S *	11/1999	Cornelissen	D7/587	
D417,366	S *	12/1999	Obra	D7/549	
D424,426	S *	5/2000	Fletcher	D9/737	
D426,751	S *	6/2000	Obra	D7/555	
6,079,067	A *	6/2000	Becker et al.	5/655	
D429,964	S *	8/2000	Miller et al.	D7/553.4	
6,119,628	A *	9/2000	Lorenzana et al.	119/77	
D434,276	S *	11/2000	Obra	D7/555	
D436,697	S *	1/2001	Fiore et al.	D30/118	
D436,854	S *	1/2001	Feldmeier	D9/434	
D440,362	S *	4/2001	Thornberg	D30/130	
6,212,804	B1 *	4/2001	Richard	40/406	
D442,484	S *	5/2001	Maxwell et al.	D9/761	
D444,034	S *	6/2001	Miller et al.	D7/546	
D449,137	S	10/2001	Newman		
D456,216	S *	4/2002	Kothe	D7/549	
6,390,323	B1 *	5/2002	Alticosalian	220/495.03	
D459,144	S *	6/2002	Brady	D7/354	
6,428,288	B1 *	8/2002	King	417/366	
D467,125	S *	12/2002	Orr et al.	D7/541	
D474,687	S *	5/2003	Jones et al.	D9/761	
D480,921	S *	10/2003	Roehrig	D7/543	
D481,594	S *	11/2003	Roehrig	D7/555	
D486,274	S	2/2004	Tsengas		
D492,196	S *	6/2004	Hyhlik et al.	D9/737	
D494,463	S *	8/2004	Tsao	D9/761	
D497,041	S *	10/2004	Plante	D30/130	
D505,082	S *	5/2005	Bruce et al.	D9/737	
D511,593	S	11/2005	Ebesu		
D512,801	S	12/2005	Kratzer et al.		
D516,393	S *	3/2006	Wickenhauser	D7/701	
D520,749	S *	5/2006	Boutin	D3/304	
D529,820	S *	10/2006	Kissner et al.	D9/737	
D529,821	S *	10/2006	Wilcox et al.	D9/761	
D530,982	S *	10/2006	Faktorovich	D7/549	
D531,054	S *	10/2006	Sagel	D9/737	
D531,849	S *	11/2006	Turner	D7/332	
D552,934	S *	10/2007	Dulaney	D7/555	
D556,952	S	12/2007	Petersen		
D561,408	S	2/2008	Marsh		
D562,078	S *	2/2008	Herssein	D7/555	
D569,193	S *	5/2008	El Ghouyel	D7/602	
D571,228	S *	6/2008	Maslowski	D9/737	
D574,229	S *	8/2008	Terrasi	D9/416	
D584,108	S *	1/2009	Olsson	D7/553.1	
D587,515	S *	3/2009	Cheng	D7/354	
D587,971	S *	3/2009	Peabody et al.	D7/555	
D595,154	S *	6/2009	Nicholson et al.	D9/737	
D596,893	S *	7/2009	Tosdale et al.	D7/354	
D602,653	S	10/2009	Mendenhall		
D603,106	S *	10/2009	Ragonetti et al.	D30/130	
D604,992	S *	12/2009	Klein	D7/541	
D616,618	S *	5/2010	Pearcey	D30/162	
D621,560	S	8/2010	McMurphy		
D623,020	S *	9/2010	De Bretton Gordon	D7/555	
D623,021	S *	9/2010	De Bretton Gordon	D7/555	
D623,479	S *	9/2010	De Bretton Gordon	D7/555	
D642,337	S	7/2011	Namvong et al.		
D644,124	S *	8/2011	Cocchioni	D9/737	
D644,125	S *	8/2011	Cocchioni	D9/737	
7,987,817	B2 *	8/2011	Johnson	119/74	
D645,355	S *	9/2011	D'Amato	D9/522	
D652,683	S *	1/2012	Munoz	D7/555	
D653,000	S *	1/2012	Rutherford	D30/130	
D658,818	S *	5/2012	Lipscomb	D30/132	
D659,301	S *	5/2012	Lipscomb et al.	D30/132	
D659,913	S *	5/2012	Spectre et al.	D30/130	
D659,914	S *	5/2012	Lipscomb	D30/132	
D664,308	S *	7/2012	Crystal	D30/130	
D665,221	S *	8/2012	Tosdale et al.	D7/354	
D669,368	S *	10/2012	Ehrmann	D9/737	
2002/0066738	A1 *	6/2002	Agarwal et al.	220/574.1	
2003/0141309	A1 *	7/2003	Agarwal et al.	220/575	

\* cited by examiner



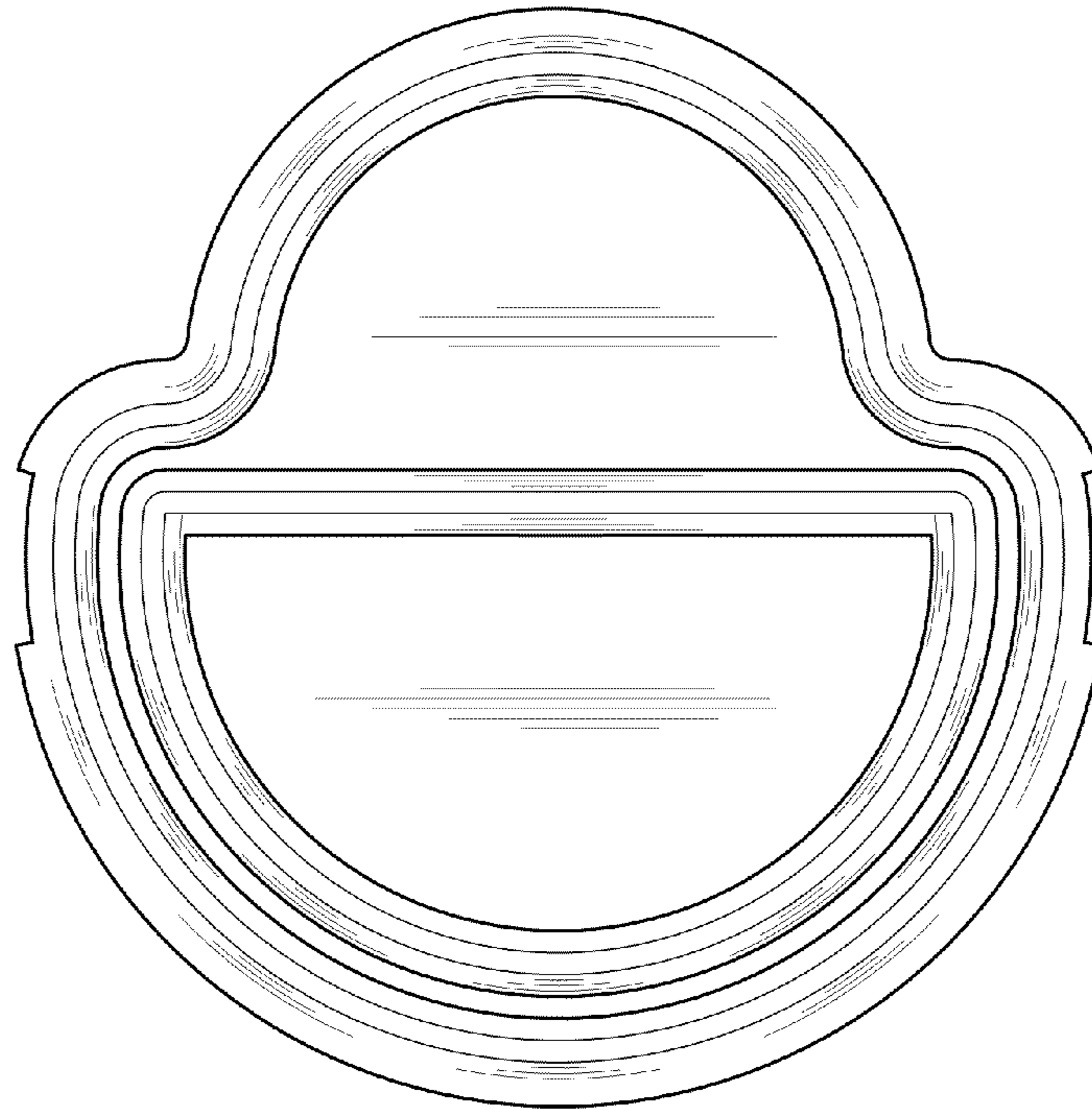


FIG. 4

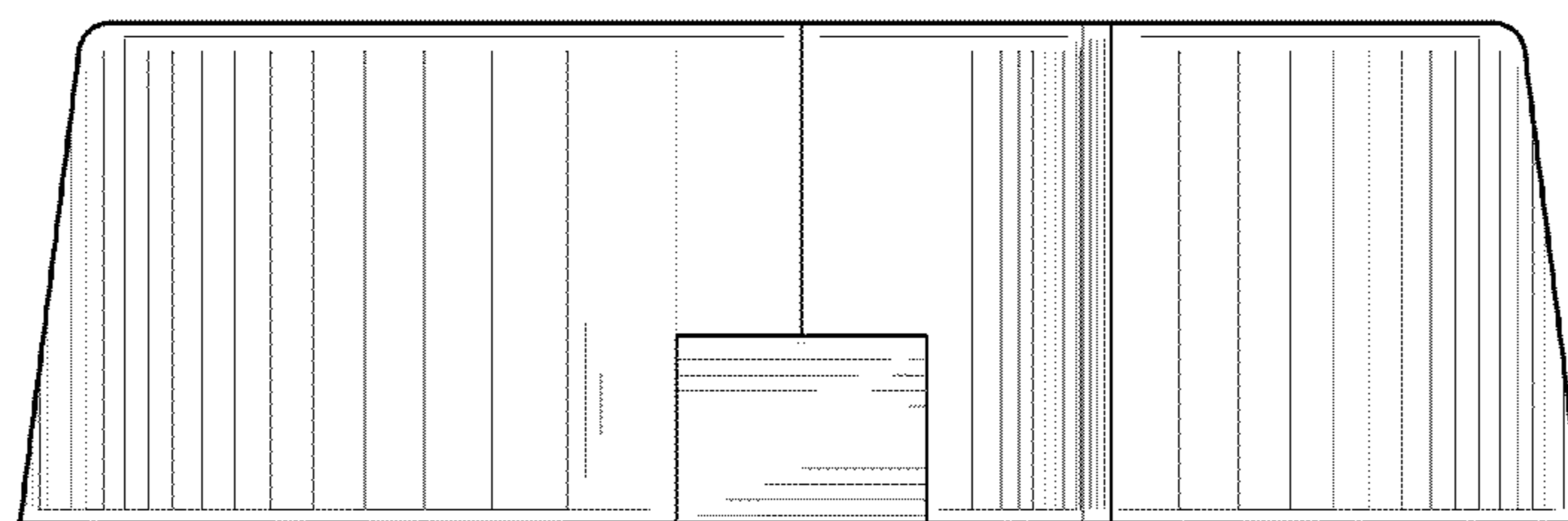


FIG. 5

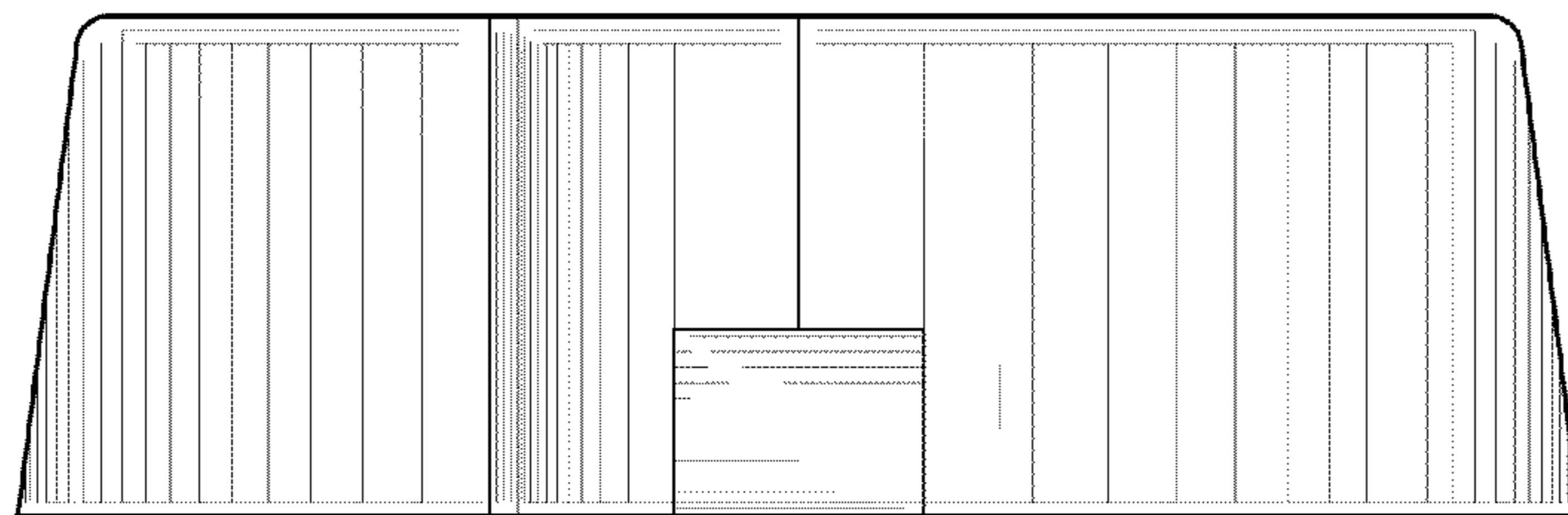


FIG. 6

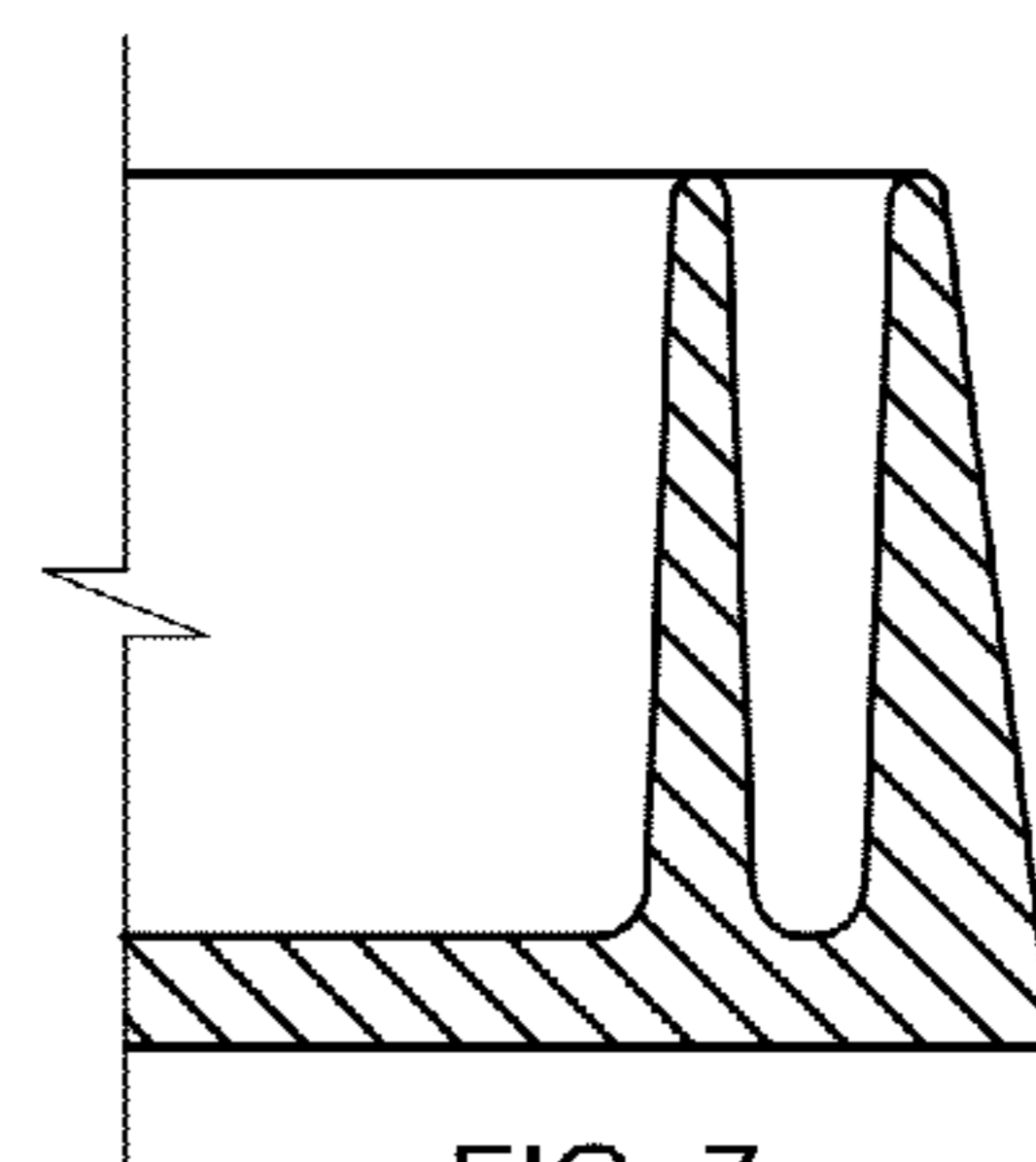


FIG. 7