



US00D681278S

(12) **United States Design Patent**
Schlatter

(10) **Patent No.:** **US D681,278 S**

(45) **Date of Patent:** **** Apr. 30, 2013**

(54) **LIP BALM CONTAINER**

(71) Applicant: **Gary Schlatter**, Englewood, CO (US)

(72) Inventor: **Gary Schlatter**, Englewood, CO (US)

(73) Assignee: **Oralabs, Inc.**, Parker, CO (US)

(**) Term: **14 Years**

(21) Appl. No.: **29/434,690**

(22) Filed: **Oct. 16, 2012**

(51) **LOC (9) Cl.** **28-03**

(52) **U.S. Cl.**

USPC **D28/89**; D28/82; D9/519; D9/552

(58) **Field of Classification Search** D28/76-77,
D28/82, 85-90; D9/503-504, 519, 551,
D9/443; 132/316-318, 320, 218; 206/385,
206/581, 823; 401/68-79, 126-130, 202,
401/88

See application file for complete search history.

(56) **References Cited**

U.S. PATENT DOCUMENTS

1,852,455	A *	4/1932	Friedman	132/293
D112,545	S *	12/1938	Younghusband	D9/504
D230,954	S	3/1974	Gregoriette		
D302,384	S	7/1989	Holewinski		
D465,733	S *	11/2002	Hill	D9/519
D554,529	S	11/2007	Green et al.		
D562,699	S	2/2008	Green et al.		
D564,900	S	3/2008	Green et al.		
D573,026	S *	7/2008	Tsai	D9/519
D577,583	S *	9/2008	Porter et al.	D9/447
D612,245	S *	3/2010	Canamasas Puigbo	D9/519
D625,469	S	10/2010	Dubitsky et al.		
D631,204	S	1/2011	Dubitsky et al.		
D639,449	S *	6/2011	Luburic	D25/1

D644,939 S 9/2011 Teller
2002/0008105 A1* 1/2002 Herbstreit et al. 220/4.25
2007/0108092 A1* 5/2007 Minuto et al. 206/581

* cited by examiner

Primary Examiner — Jennifer Rivard

(74) *Attorney, Agent, or Firm* — Welsh Flaxman & Gitler LLC

(57) **CLAIM**

The ornamental design for a lip balm container, as shown and described.

DESCRIPTION

FIG. 1 is a side perspective view of the lip balm container from a position slightly above a horizontal bisecting plane of the lip balm container.

FIG. 2 is a top view of the lip balm container.

FIG. 3 is a side perspective view of the lip balm container from a position slightly below a horizontal bisecting plane of the lip balm container.

FIG. 4 is a bottom view of the lip balm container.

FIG. 5 is a side view of the lip balm container.

FIG. 6 is a side view of the lip balm container from a position diametrically opposite that shown in FIG. 5.

FIG. 7 is a side view of the lip balm container from a position 90° offset in a counter-clockwise direction from that shown in FIG. 5.

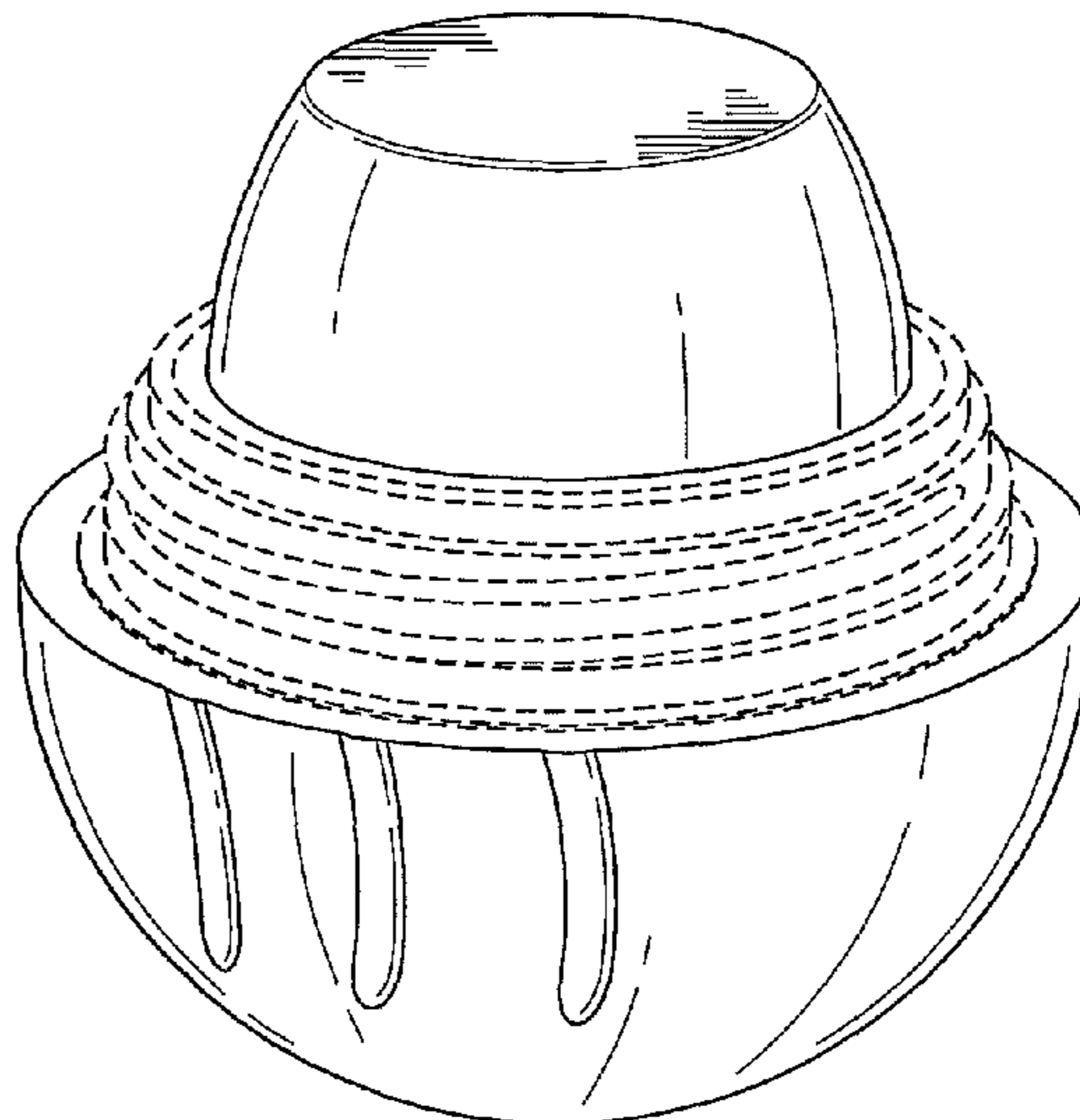
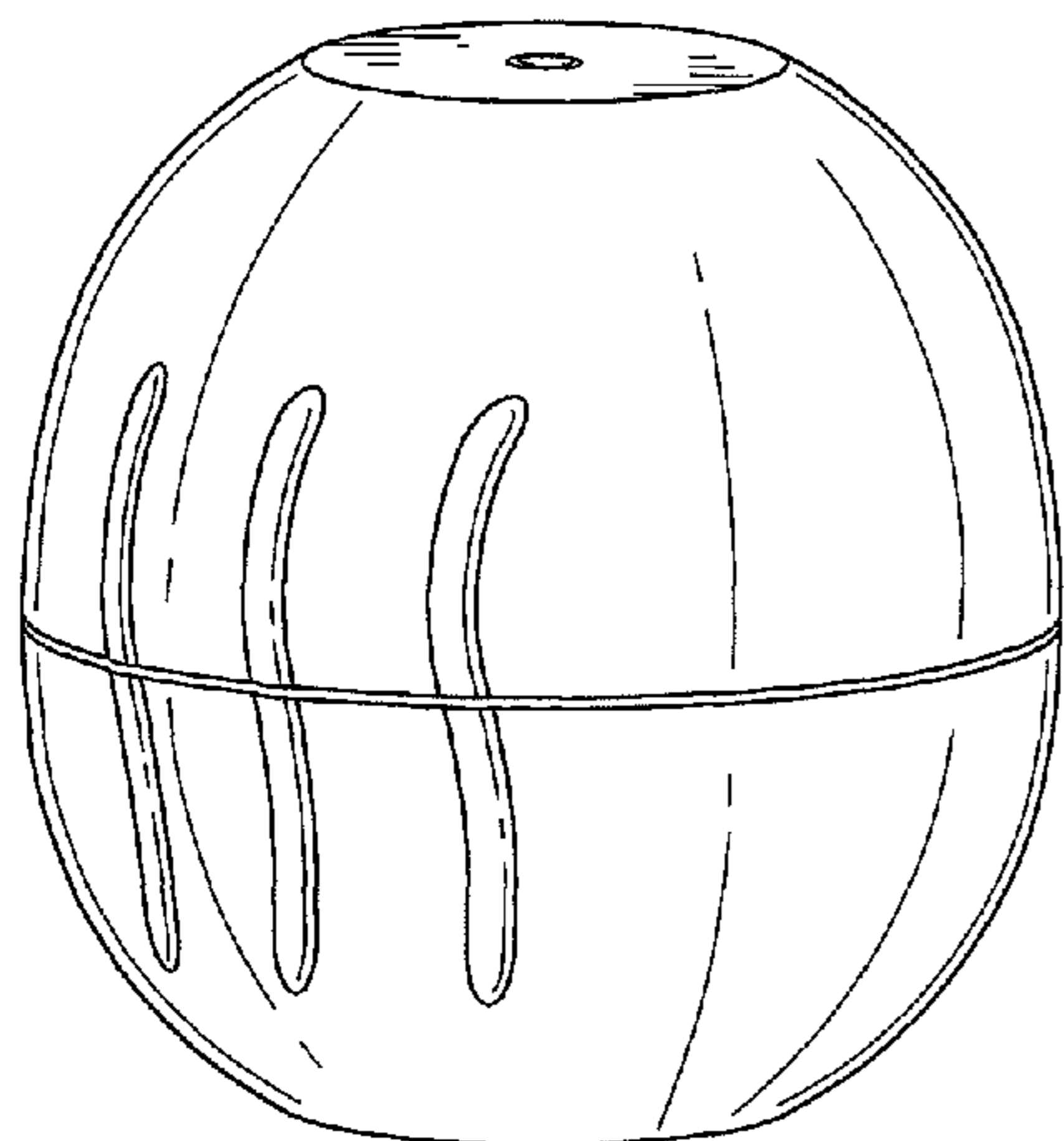
FIG. 8 is a side view of the lip balm container from a position diametrically opposite that shown in FIG. 7.

FIG. 9 is a side perspective view of the lip balm container from a position slightly above a horizontal bisecting plane of the lip balm container with the top removed; and,

FIG. 10 is a side view of the lip balm container with the top removed from the same position as applied in FIG. 5.

The bottom portion of the lip balm container is disclosed separately for convenience of illustration. The broken lines shown in the drawings illustrate portions of the article and form no part of the claimed design.

1 Claim, 3 Drawing Sheets



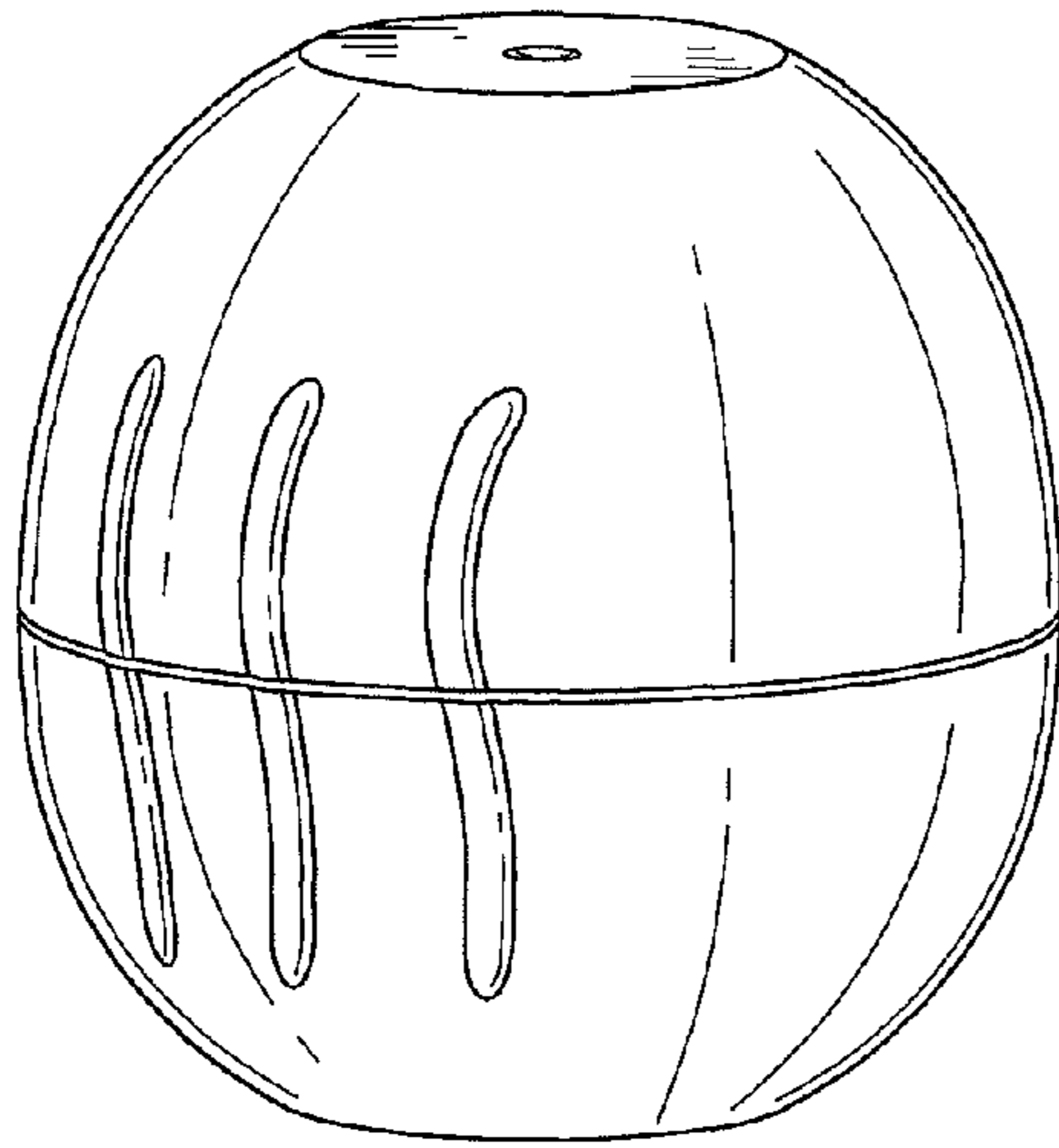


FIG. 1

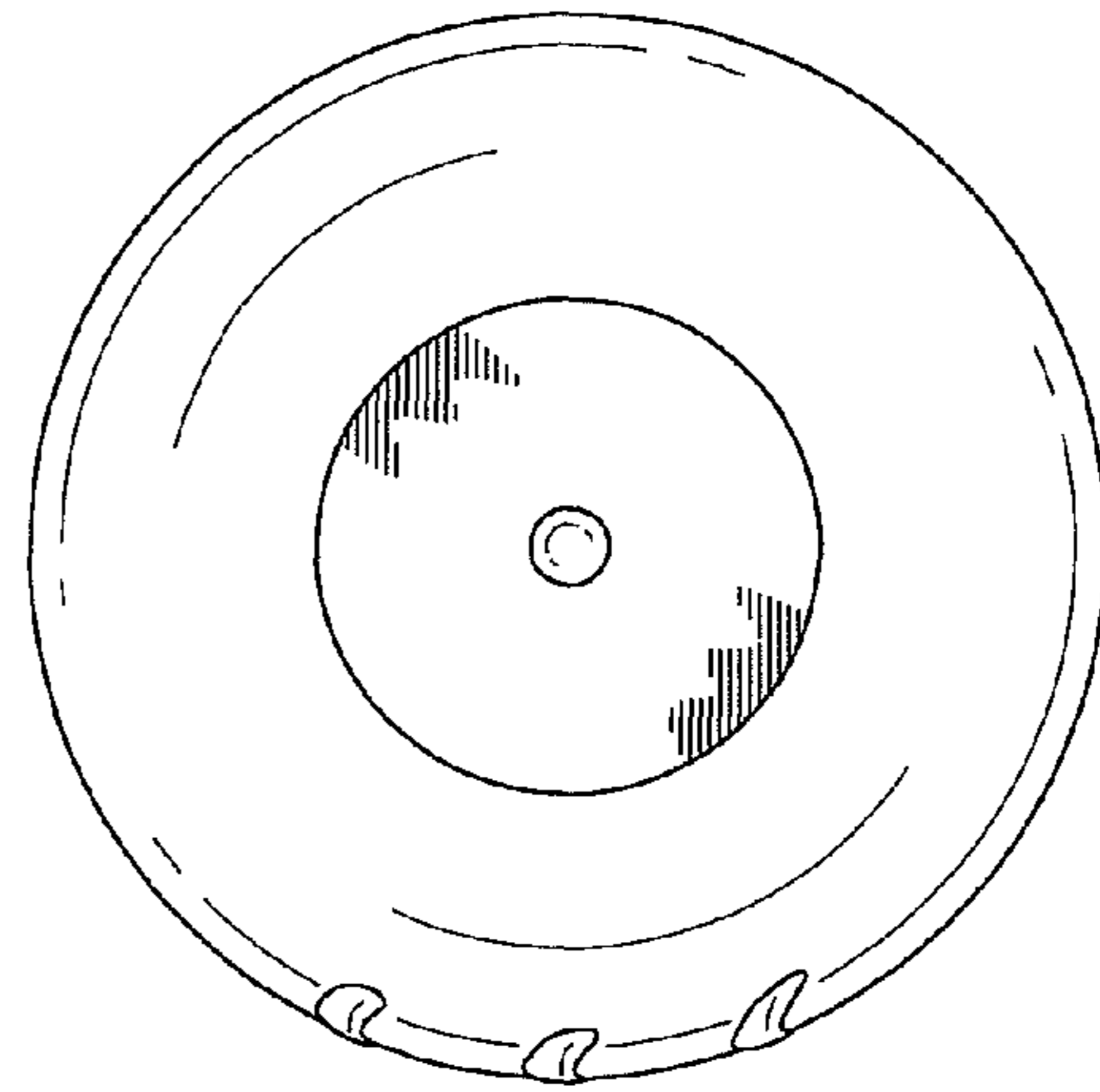


FIG. 2

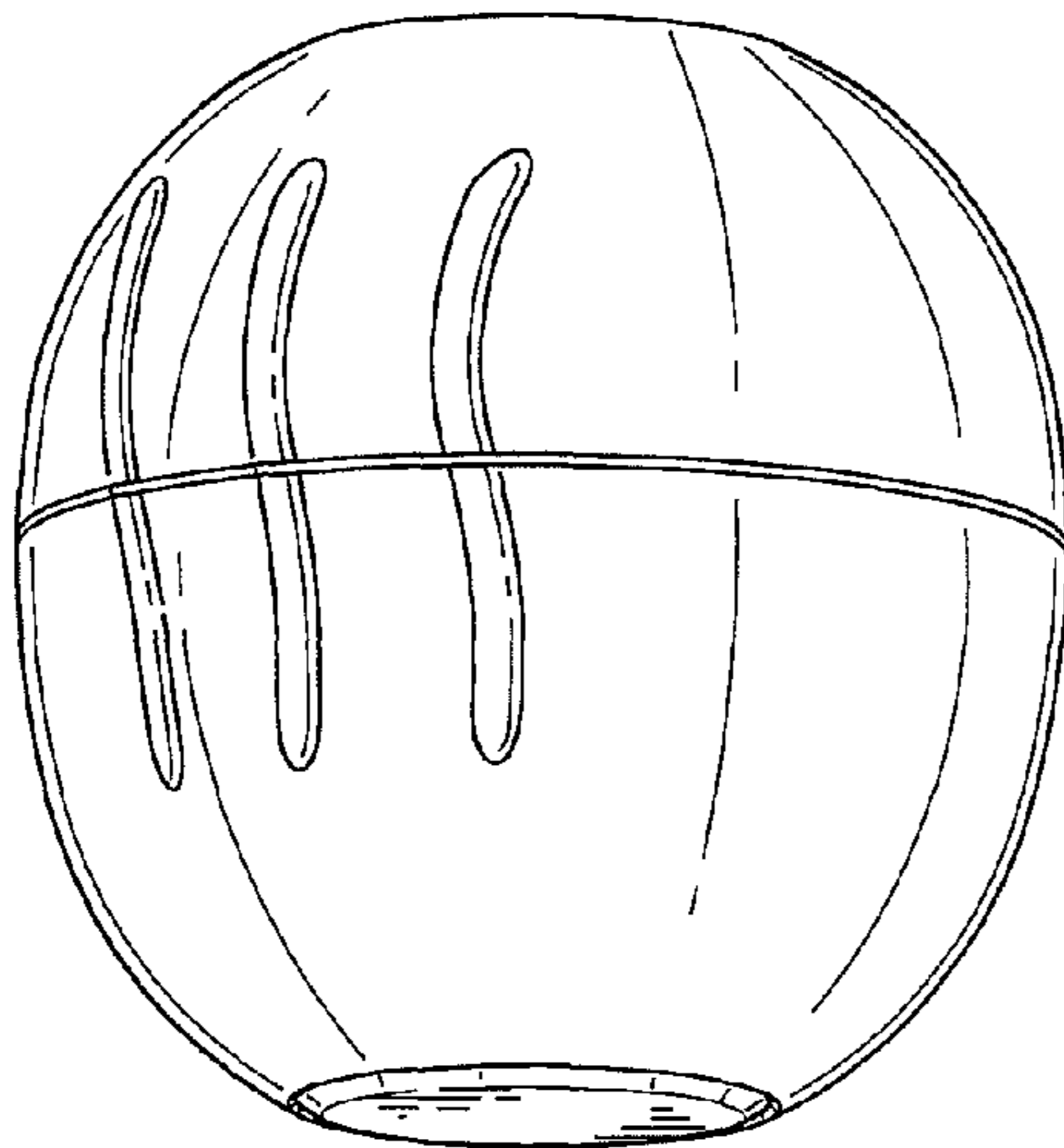


FIG. 3

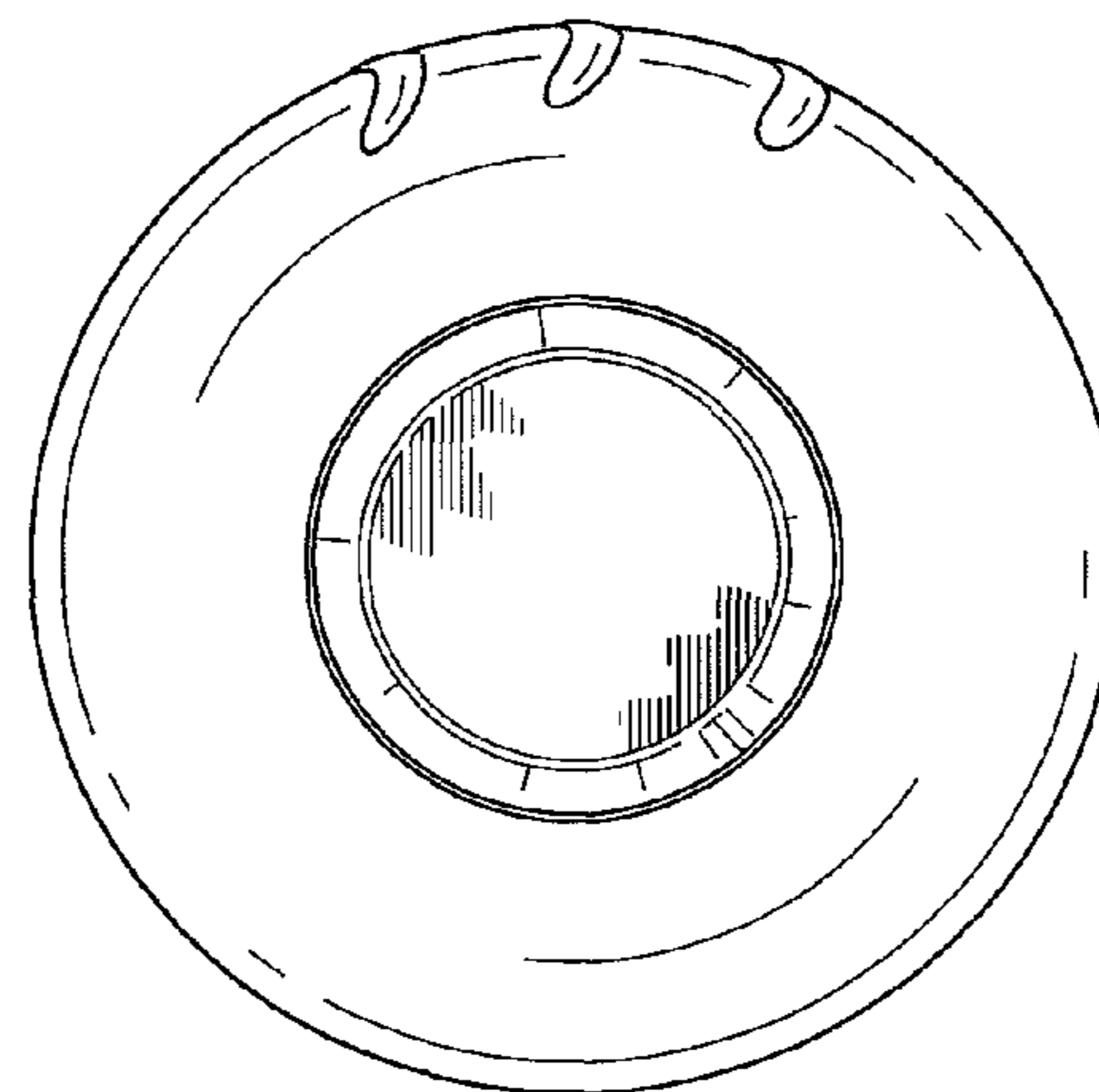


FIG. 4

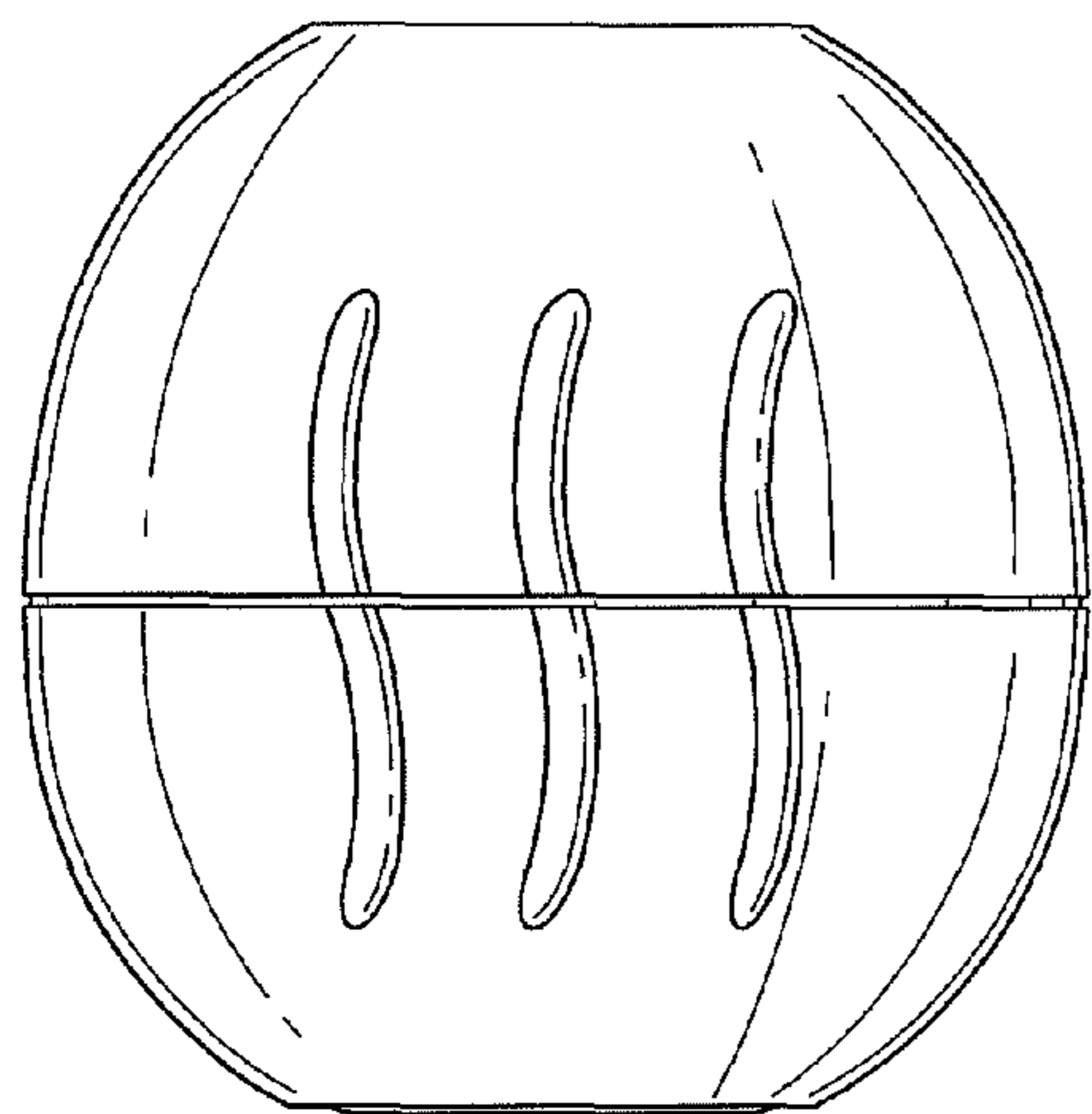


FIG. 5

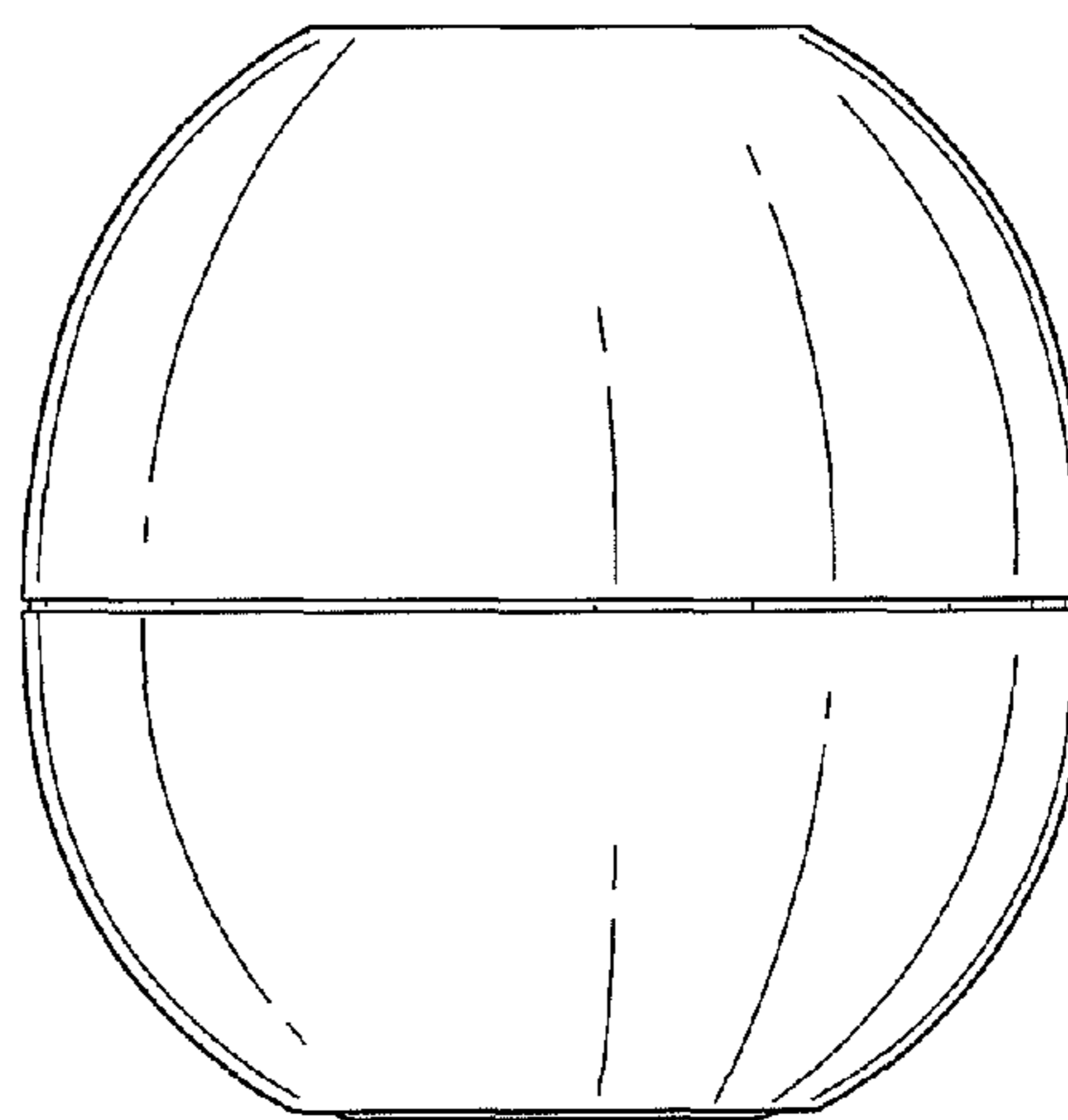


FIG. 6

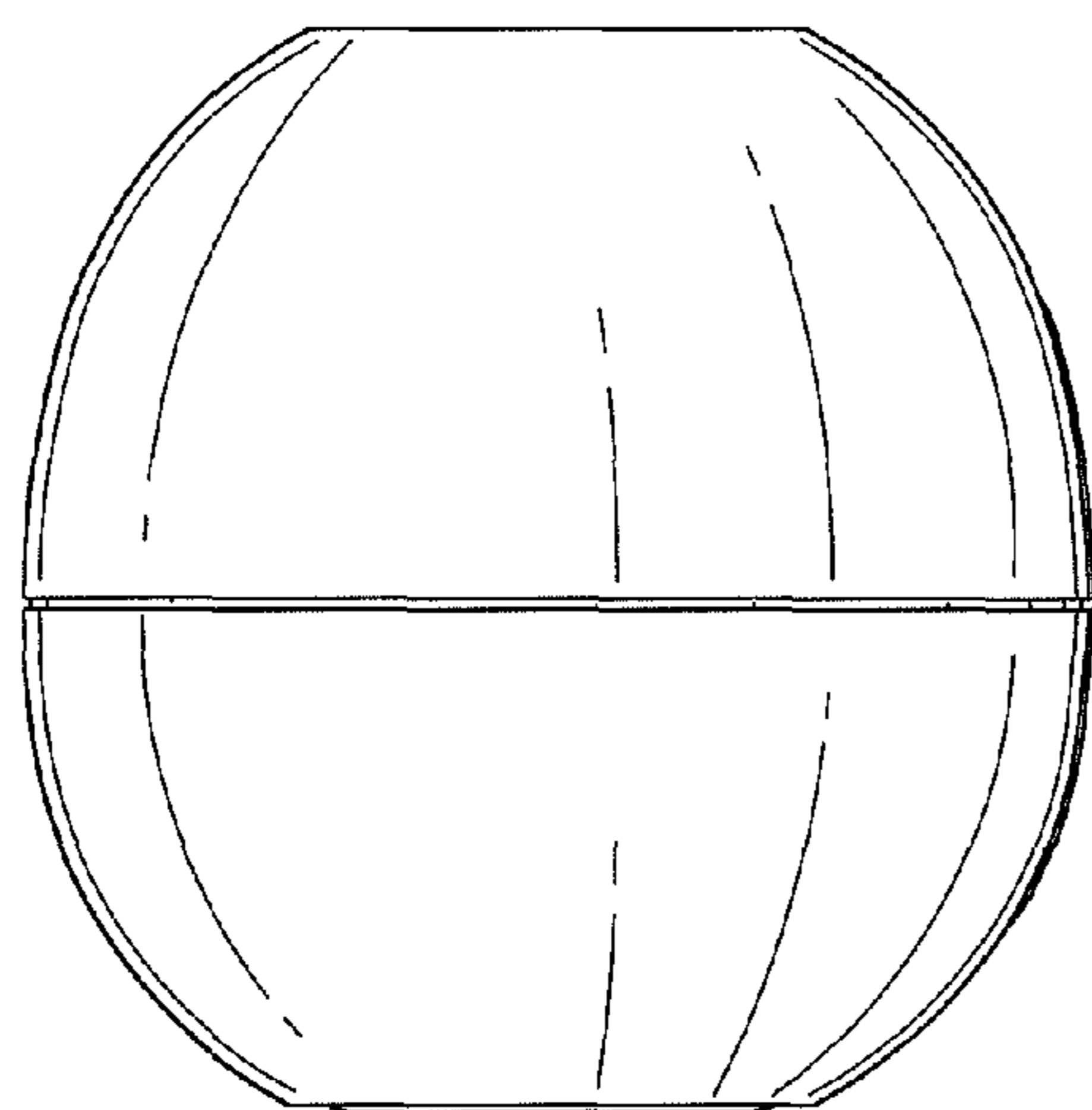


FIG. 7

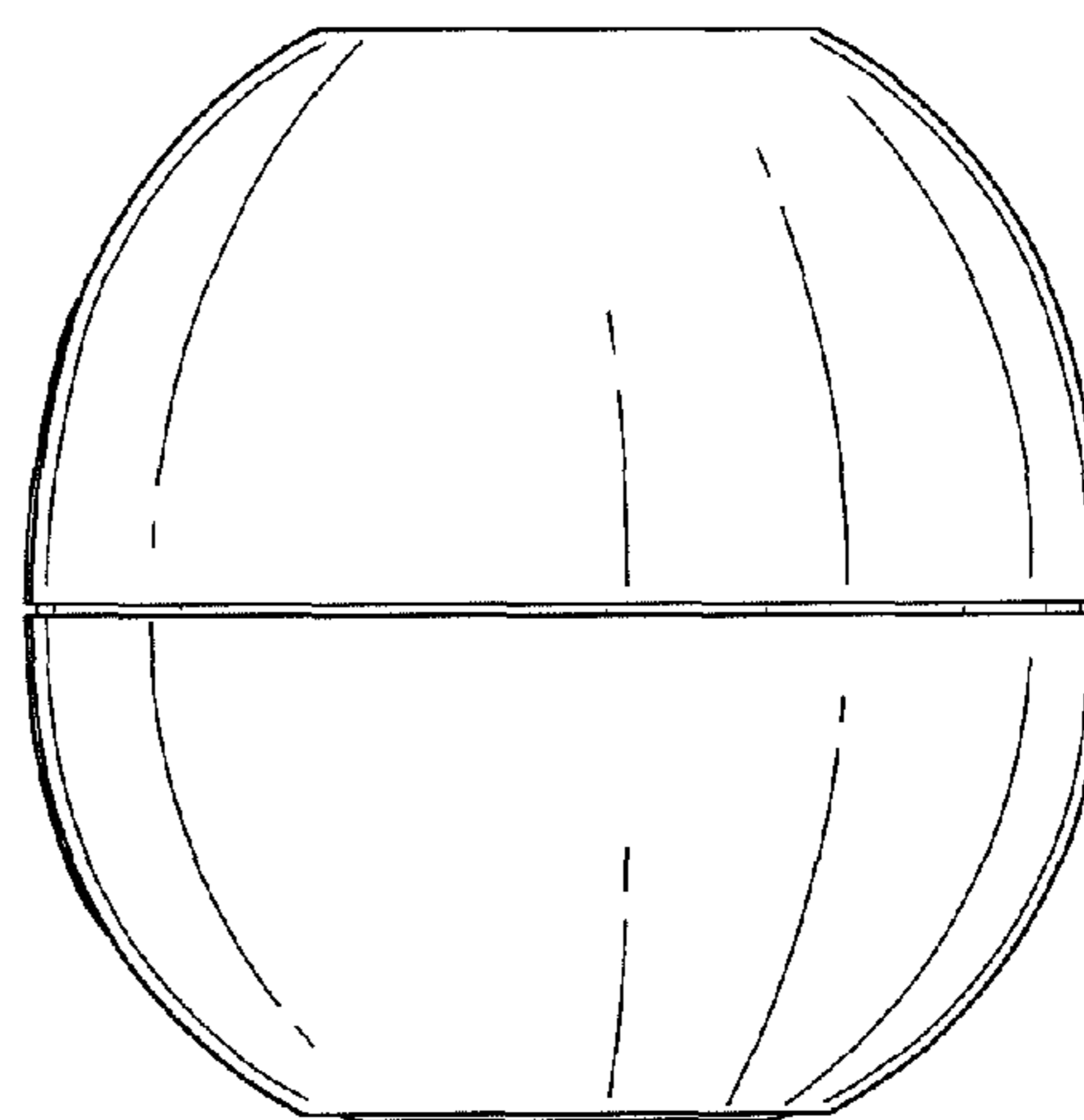


FIG. 8

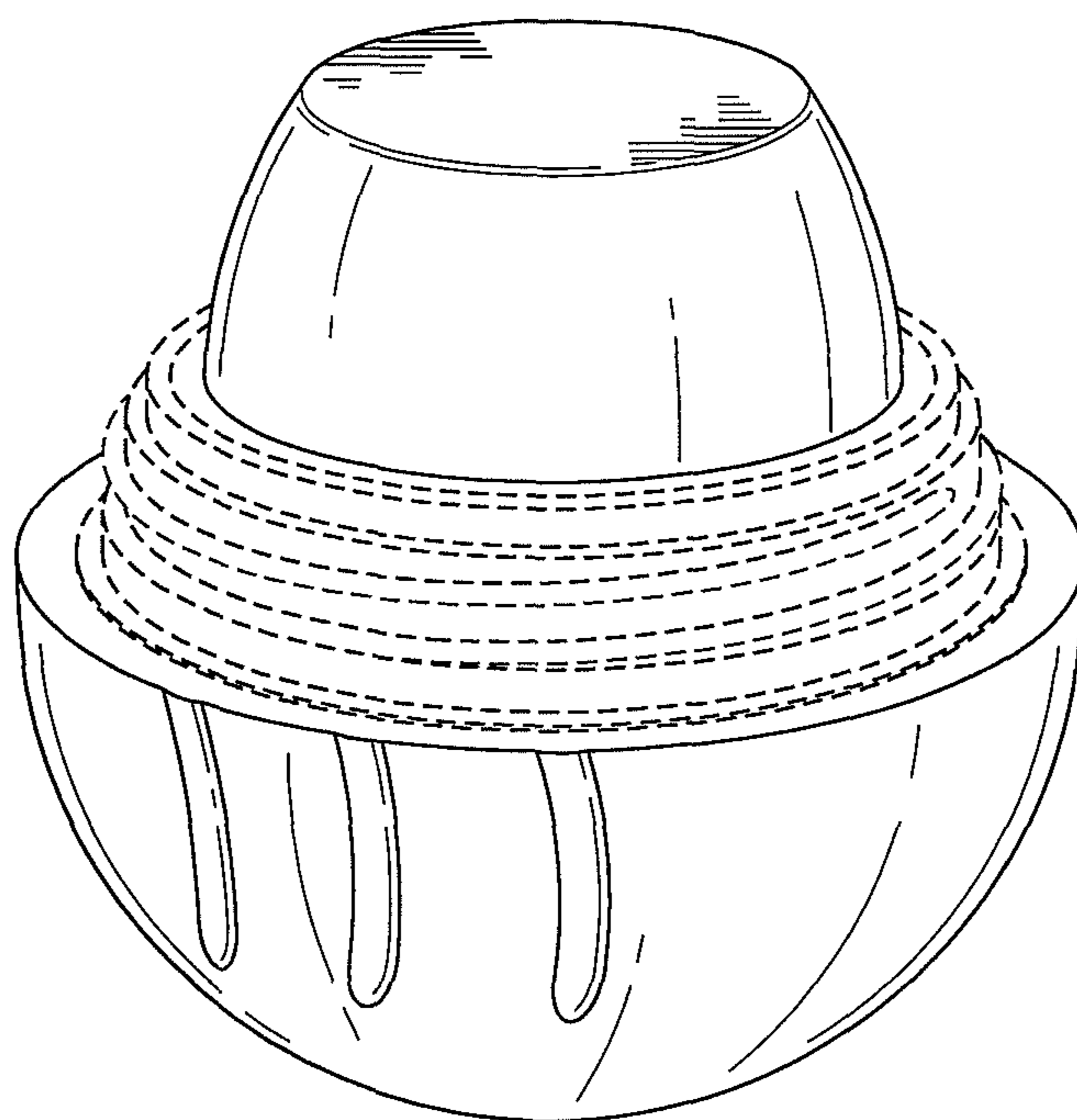


FIG. 9

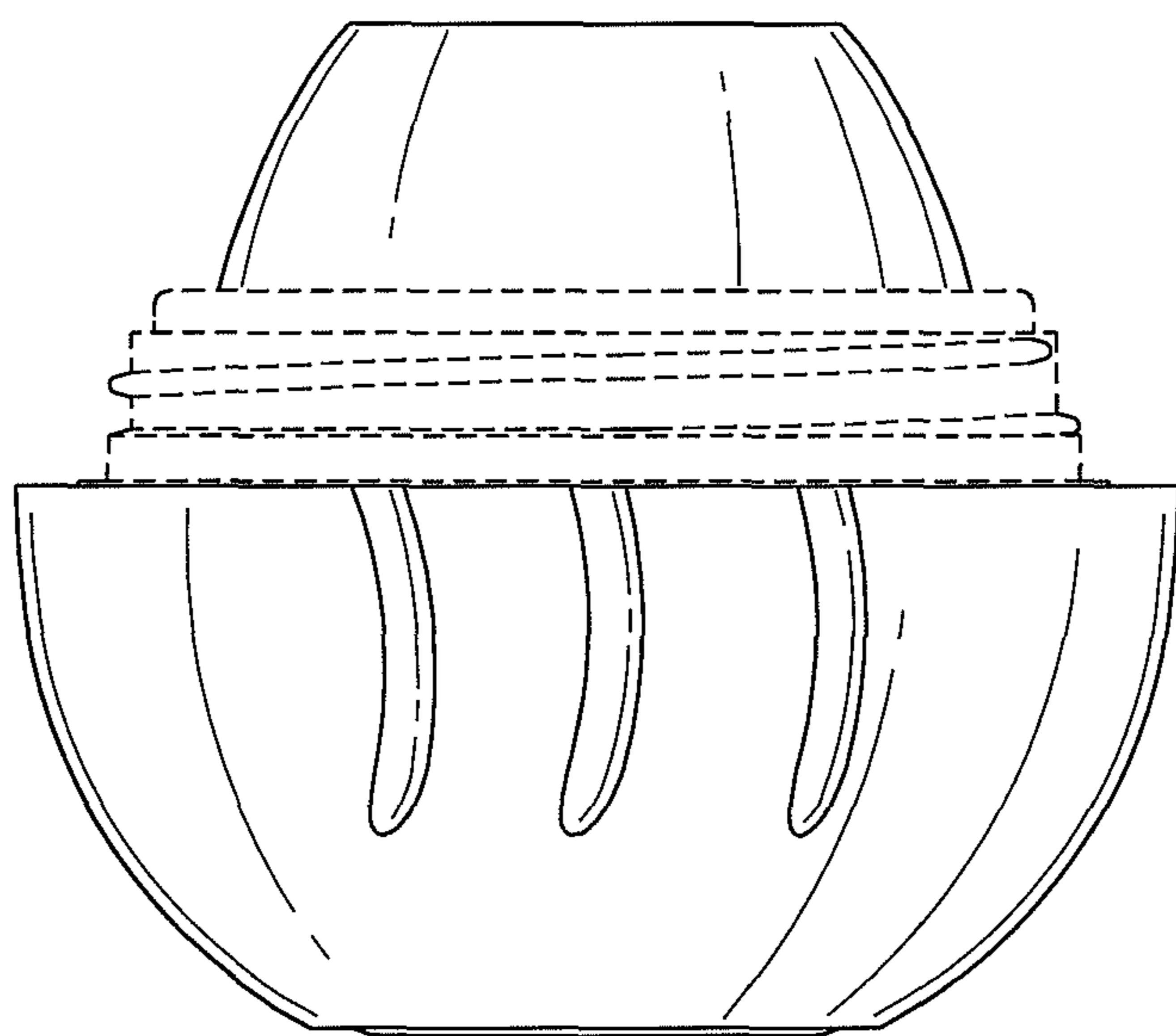


FIG. 10