



US00D681274S

(12) **United States Design Patent**
Huang

(10) **Patent No.:** **US D681,274 S**

(45) **Date of Patent:** **** Apr. 30, 2013**

(54) **HAIR DRYER**

D629,967 S * 12/2010 Mayo et al. D28/13
D641,521 S * 7/2011 Parodi D28/13
D658,808 S * 5/2012 Begin et al. D28/13

(75) Inventor: **Huaqun Huang**, Jieyang (CN)

* cited by examiner

(73) Assignee: **Guangdong Huanengda Electrical Appliances Co., Ltd.**, Jieyang, Guangdong (CN)

Primary Examiner — Zenia Bennett

(74) *Attorney, Agent, or Firm* — Novoclaims Patent Services, LLC; Mei Lin Wong

(**) Term: **14 Years**

(21) Appl. No.: **29/422,247**

(57) **CLAIM**

The ornamental design for a hair dryer, as shown and described.

(22) Filed: **May 17, 2012**

(51) **LOC (9) Cl.** **28-03**

(52) **U.S. Cl.**

USPC **D28/13**

(58) **Field of Classification Search** D28/12-19;
34/96-101; 392/380-385; 219/222
See application file for complete search history.

DESCRIPTION

FIG. 1 is a perspective view of a hair dryer showing my new design.

FIG. 2 is a right end view thereof.

FIG. 3 is a left end view thereof.

FIG. 4 is a front view thereof.

FIG. 5 is a rear view thereof.

FIG. 6 is a top view thereof; and,

FIG. 7 is a bottom view thereof.

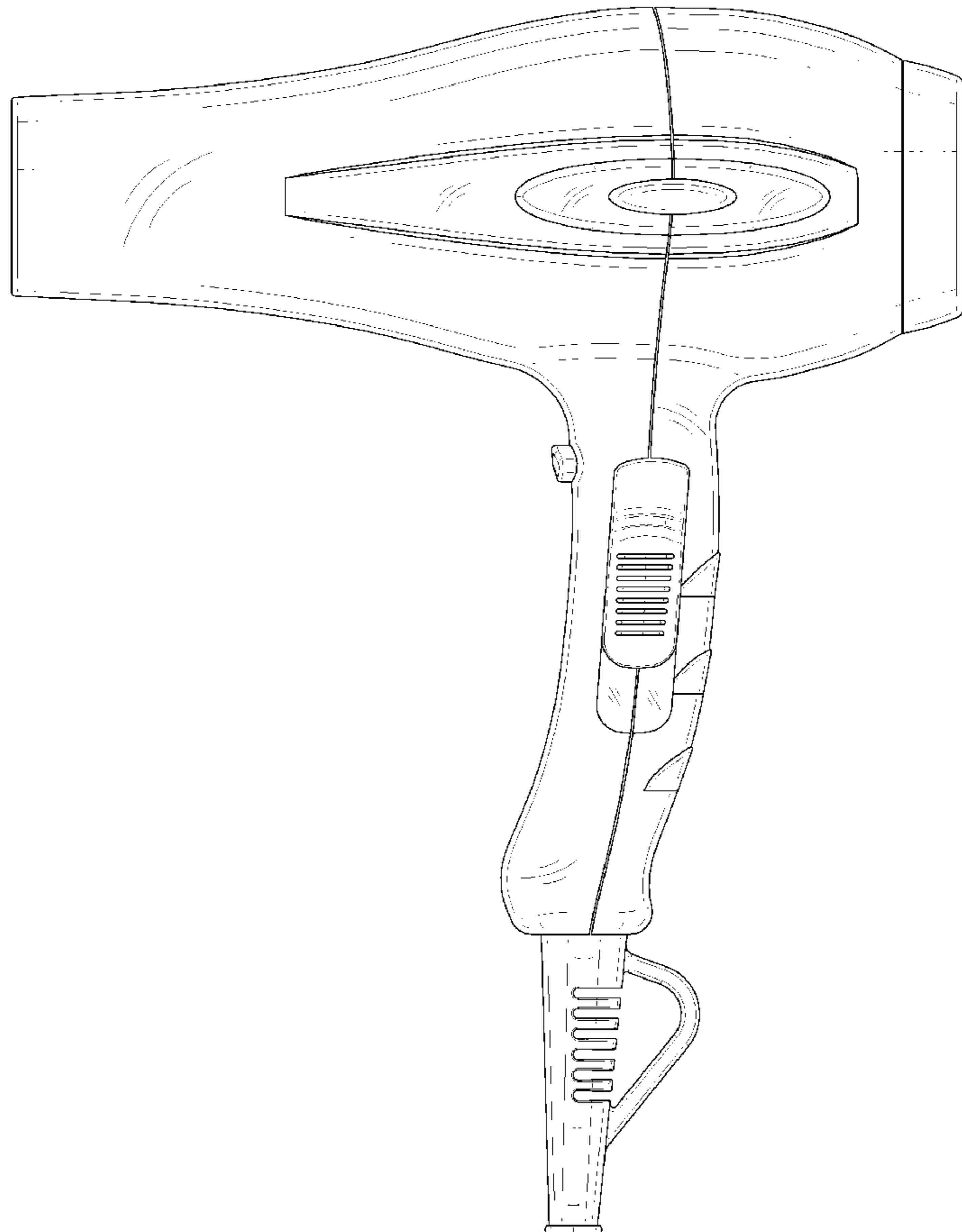
The broken lines are for environmental purposes only and form no part of the claimed design.

(56) **References Cited**

U.S. PATENT DOCUMENTS

D528,698 S * 9/2006 Rizzuto, Jr. D28/13
D543,313 S * 5/2007 Petruccelli, Jr. D28/13
D601,750 S * 10/2009 Eigenstetter D28/13
D605,354 S * 12/2009 Keong D28/13
D627,510 S * 11/2010 Zabala D28/13

1 Claim, 7 Drawing Sheets



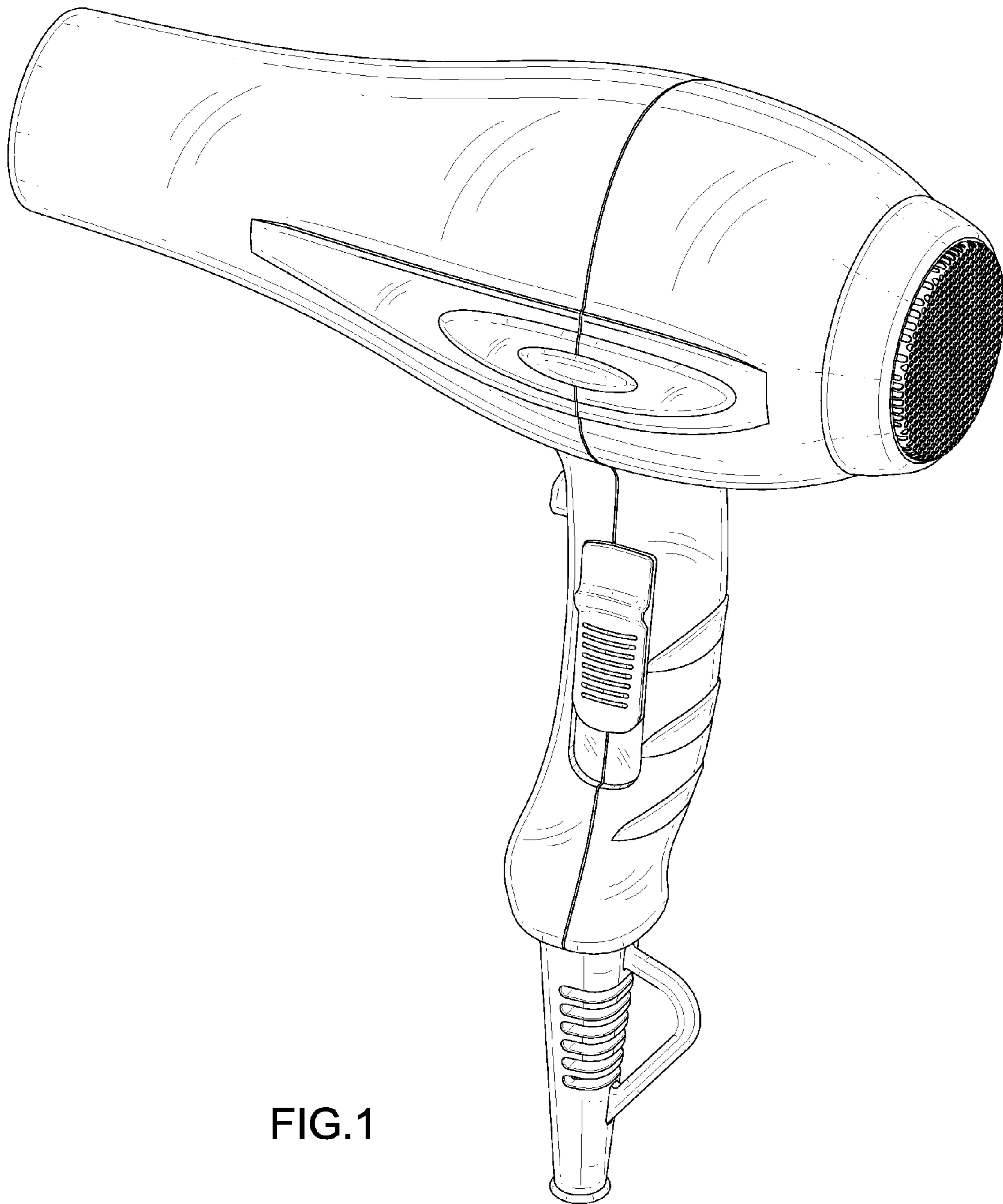


FIG. 1

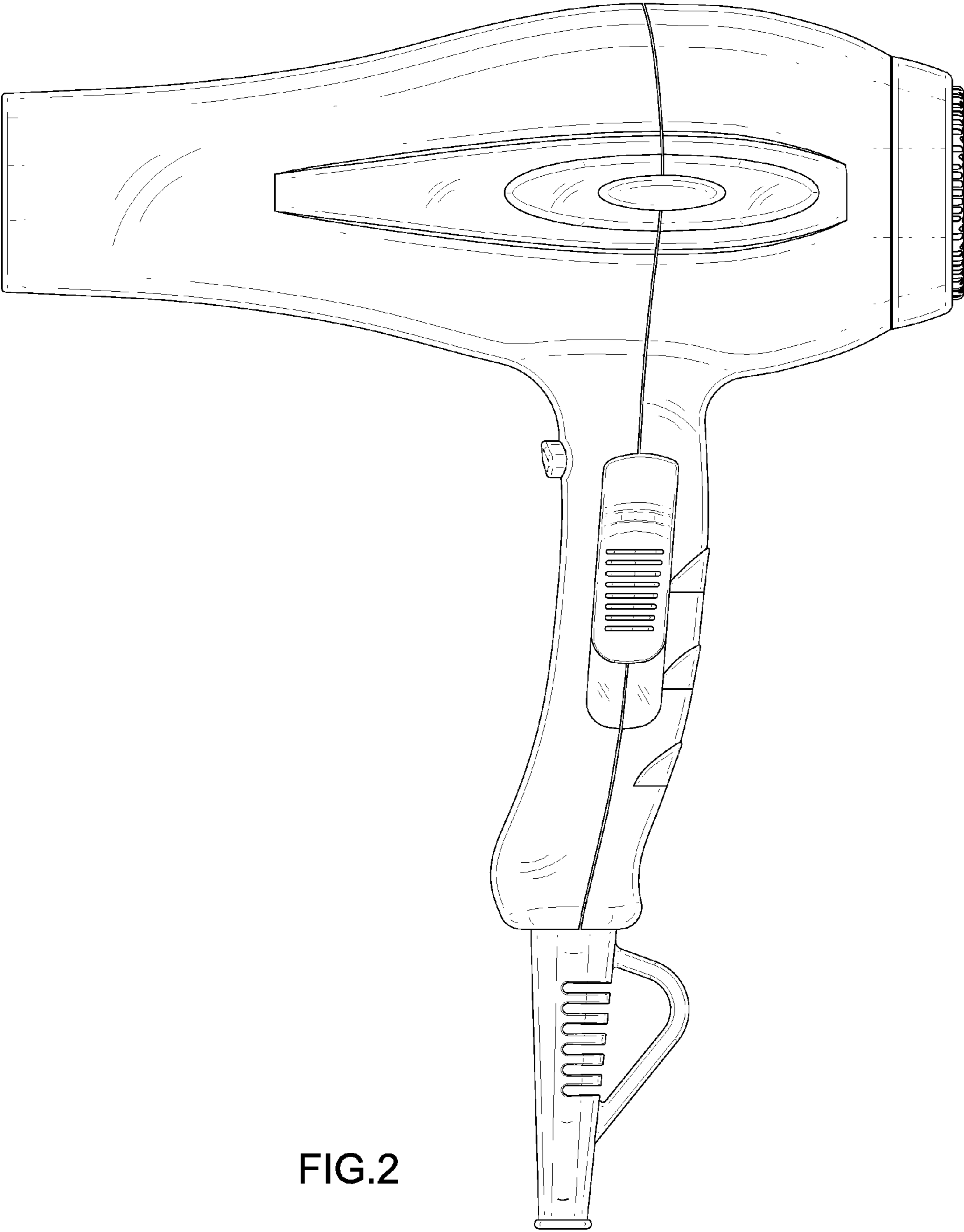


FIG. 2

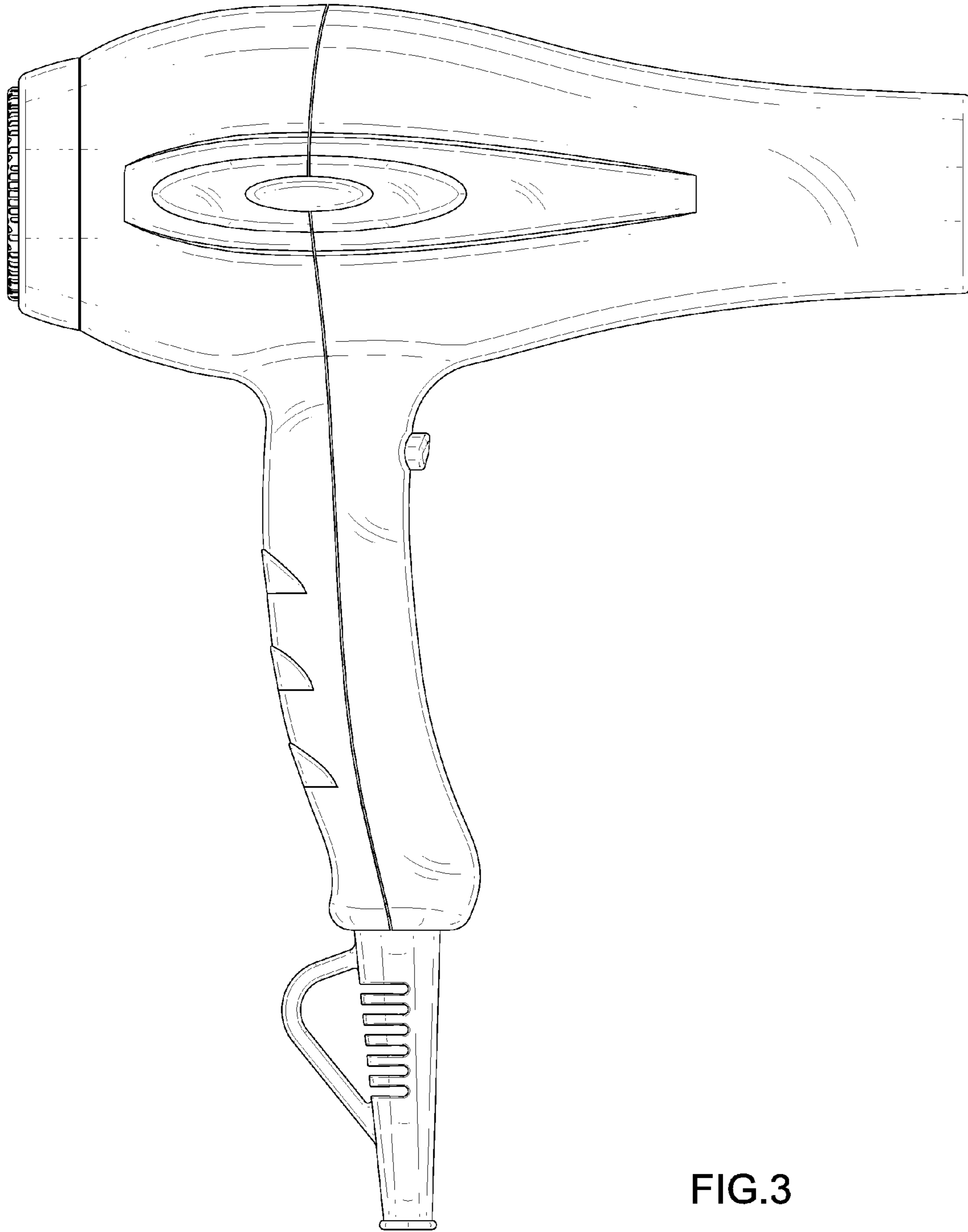


FIG.3

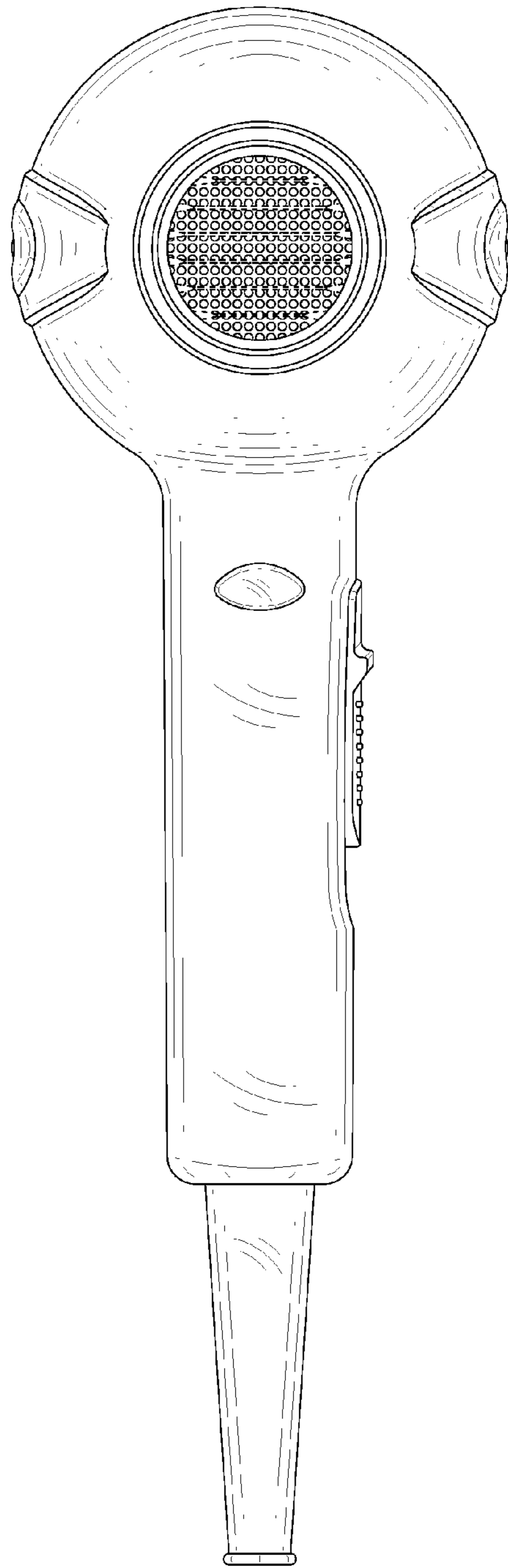


FIG.4

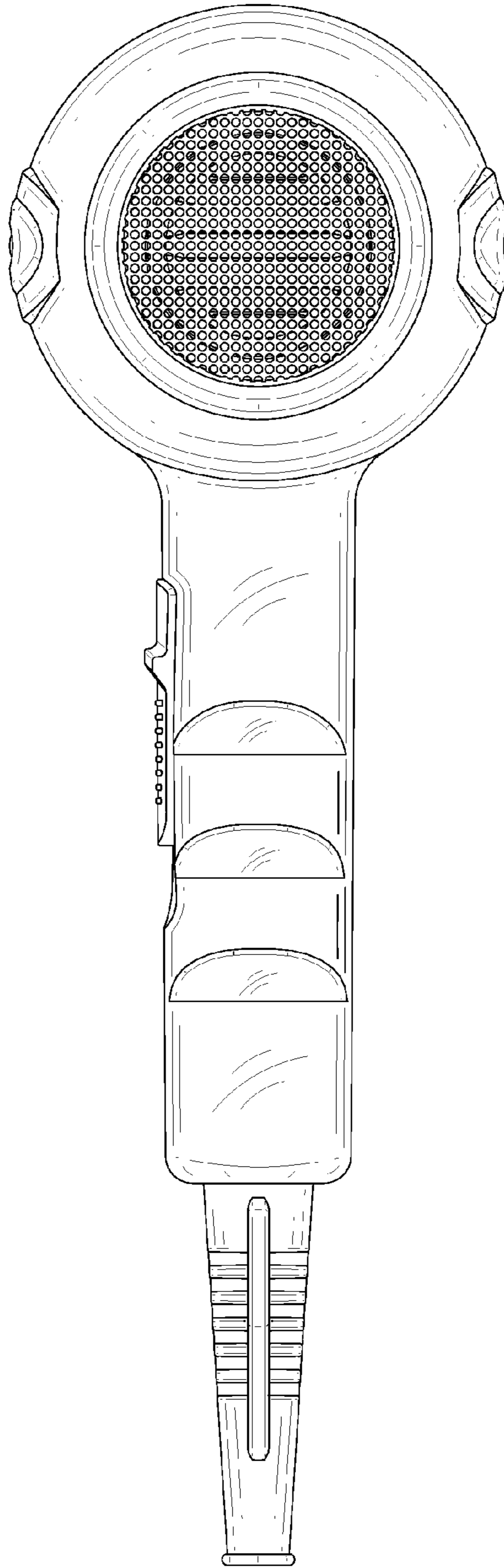


FIG.5

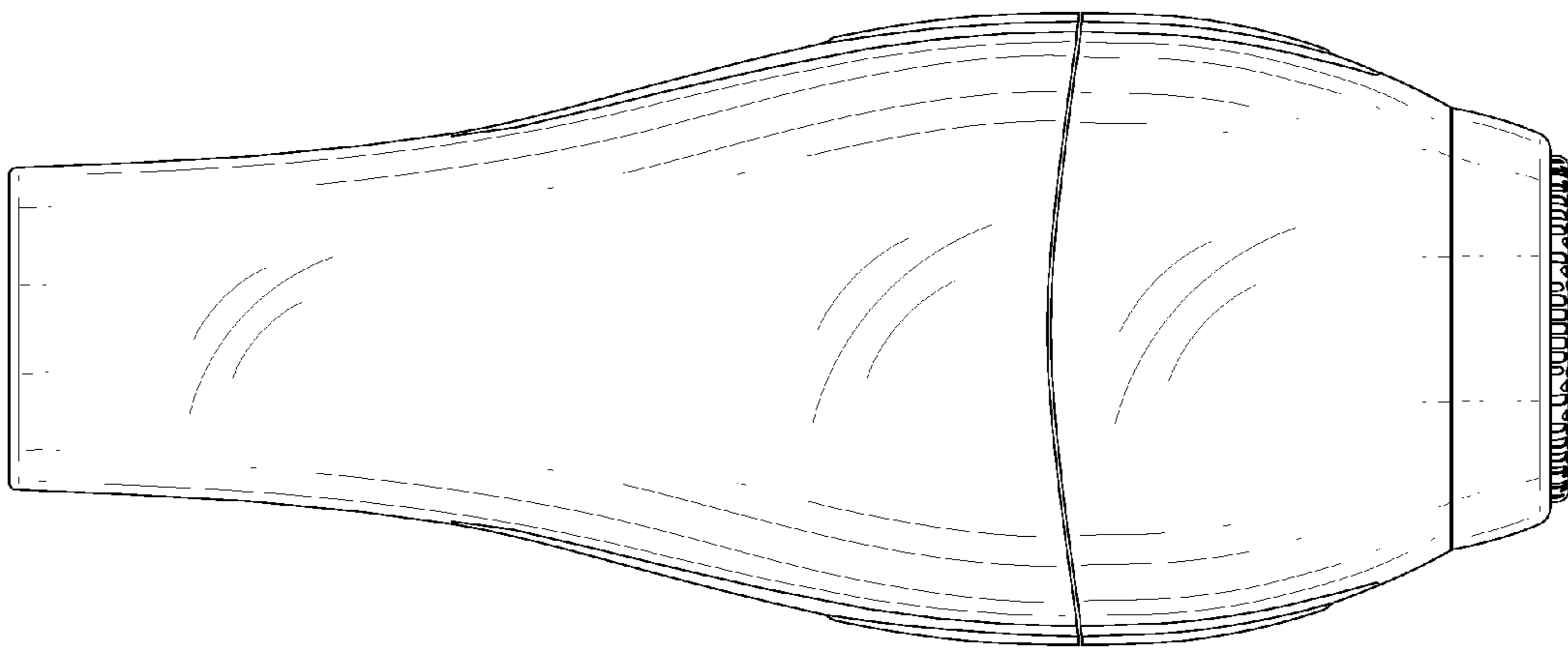


FIG.6

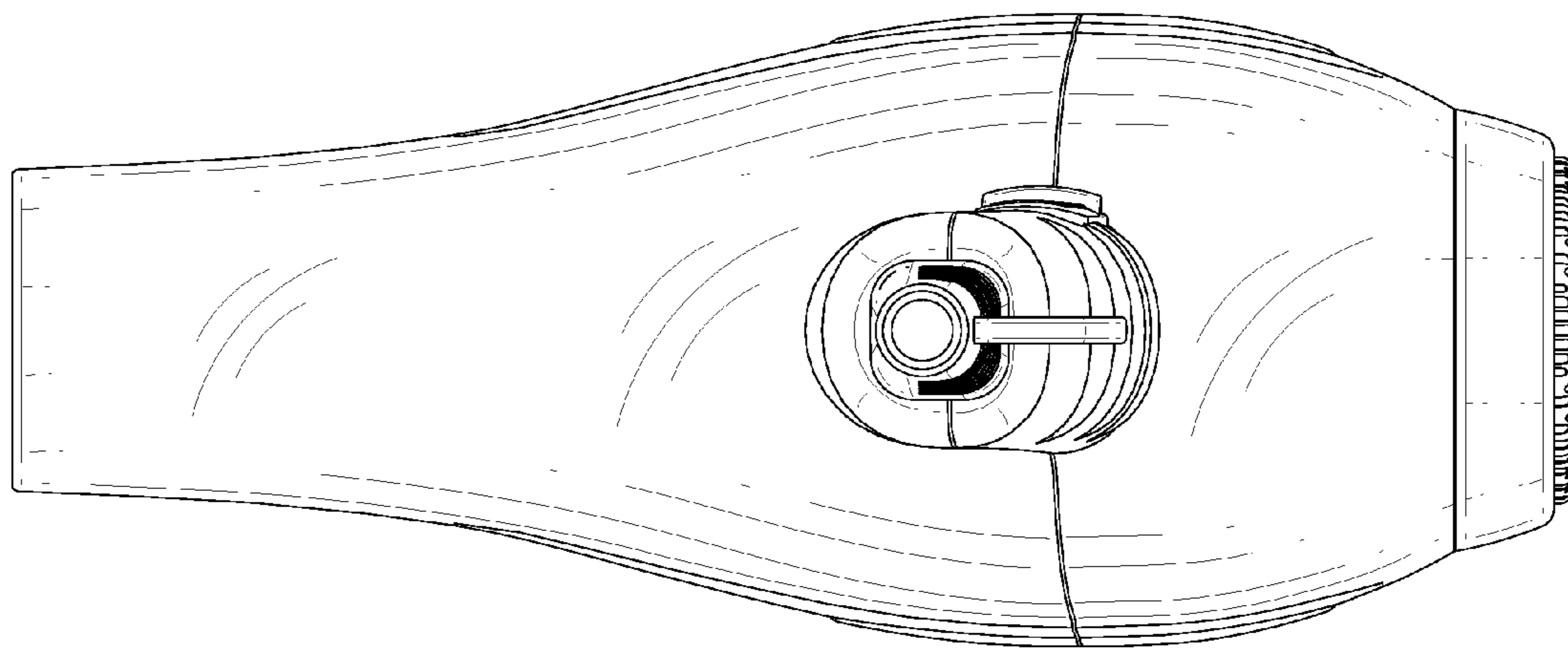


FIG.7