



US00D681269S

(12) **United States Design Patent**
Wu

(10) **Patent No.:** **US D681,269 S**
(45) **Date of Patent:** **** Apr. 30, 2013**

- (54) **ELECTRONIC CIGARETTE CASE**
- (71) Applicant: **B2B International Holding Limited**,
Wilmington, DE (US)
- (72) Inventor: **Jianyong Wu**, Wilmington, DE (US)
- (73) Assignee: **B2B International Holding Limited**,
Wilmington
- (**) Term: **14 Years**
- (21) Appl. No.: **29/438,126**
- (22) Filed: **Nov. 26, 2012**
- (51) **LOC (9) Cl.** **27-06**
- (52) **U.S. Cl.**
USPC **D27/189**
- (58) **Field of Classification Search** D27/195,
D27/142, 143, 125, 194, 172, 196, 101, 170,
D27/189, 100, 162, 167, 169; 131/233, 254,
131/255, 329, 250, 251, 252, 253, 256, 248,
131/330, 187, 175, 328, 273, 274, 290, 291,
131/173, 202, 203, 204, 205, 206, 347, 360
See application file for complete search history.

D510,777 S *	10/2005	Engel	D27/189
D609,398 S *	2/2010	Hearn	D27/189
D613,903 S *	4/2010	Wu et al.	D27/189
D613,904 S *	4/2010	Wu et al.	D27/189
D616,146 S *	5/2010	Holford	D27/189
D629,155 S *	12/2010	de The et al.	D27/189
D636,931 S *	4/2011	de The et al.	D27/189
D636,932 S *	4/2011	de The et al.	D27/189
D638,291 S *	5/2011	England	D9/432
D644,511 S *	9/2011	England	D9/433
D656,094 S *	3/2012	Wu	D13/108
D657,240 S *	4/2012	England	D9/432
D668,535 S *	10/2012	Collins	D9/423
D671,677 S *	11/2012	Wu	D27/189
D671,678 S *	11/2012	Wu	D27/189
2006/0191986 A1 *	8/2006	Focke et al.	229/146
2010/0059395 A1 *	3/2010	England	206/259

* cited by examiner

Primary Examiner — Kevin Rudzinski

(57) **CLAIM**
The ornamental design for an electronic cigarette case, as shown and described.

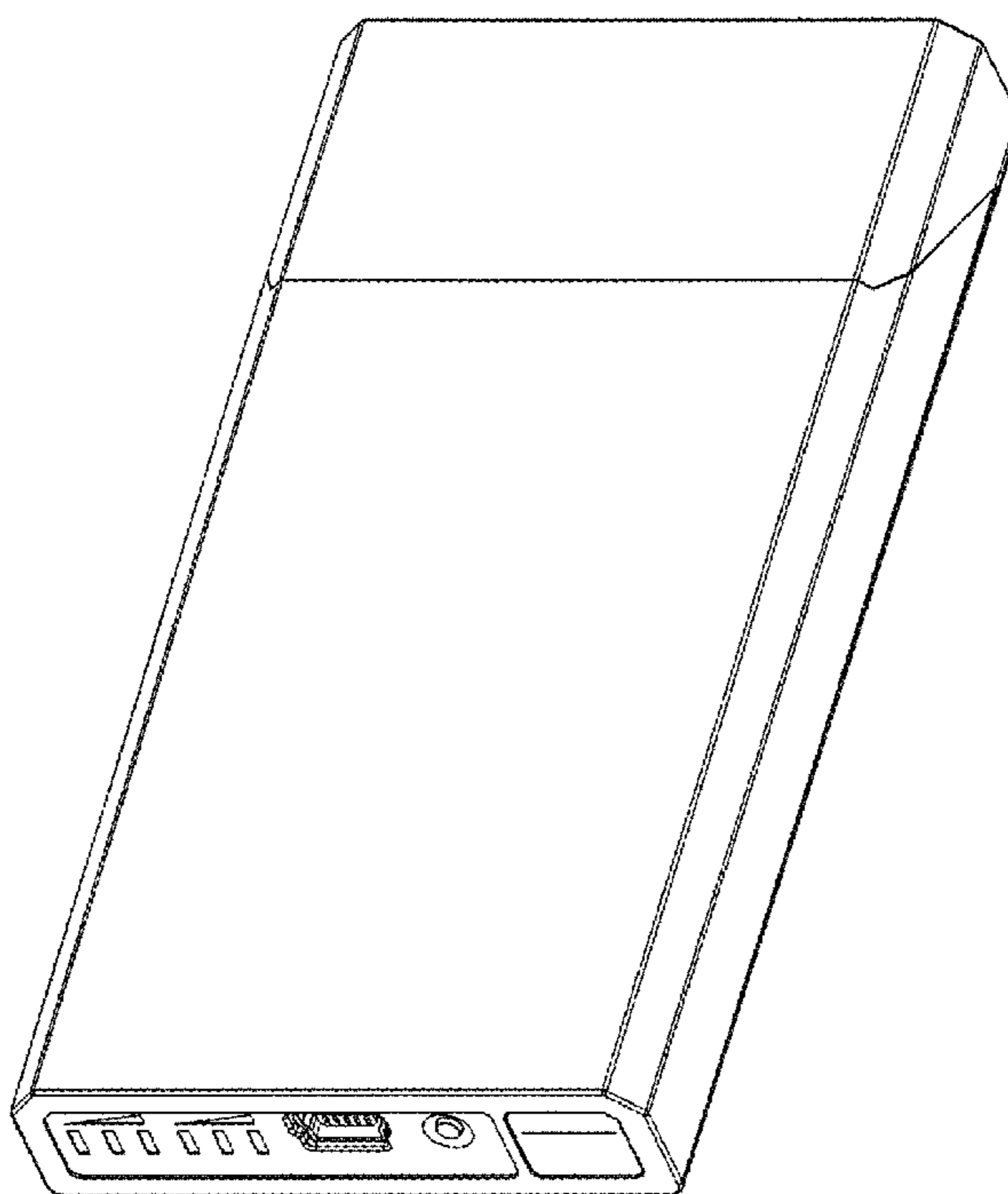
DESCRIPTION

FIG. 1 is a front elevational view of an electronic cigarette case showing my new design;
FIG. 2 is a rear elevational view thereof;
FIG. 3 is a left side elevational view thereof;
FIG. 4 is a right side elevational view thereof;
FIG. 5 is a top plan view thereof;
FIG. 6 is a bottom plan view thereof; and,
FIG. 7 is a perspective view thereof.

1 Claim, 7 Drawing Sheets

- (56) **References Cited**

U.S. PATENT DOCUMENTS
D356,183 S * 3/1995 Conti D27/189
5,478,011 A * 12/1995 Pham 229/160.1
D419,259 S * 1/2000 Johnson D27/175
D441,497 S * 5/2001 Focke et al. D27/189
D448,888 S * 10/2001 Focke et al. D27/189
D472,013 S * 3/2003 Conti et al. D27/189



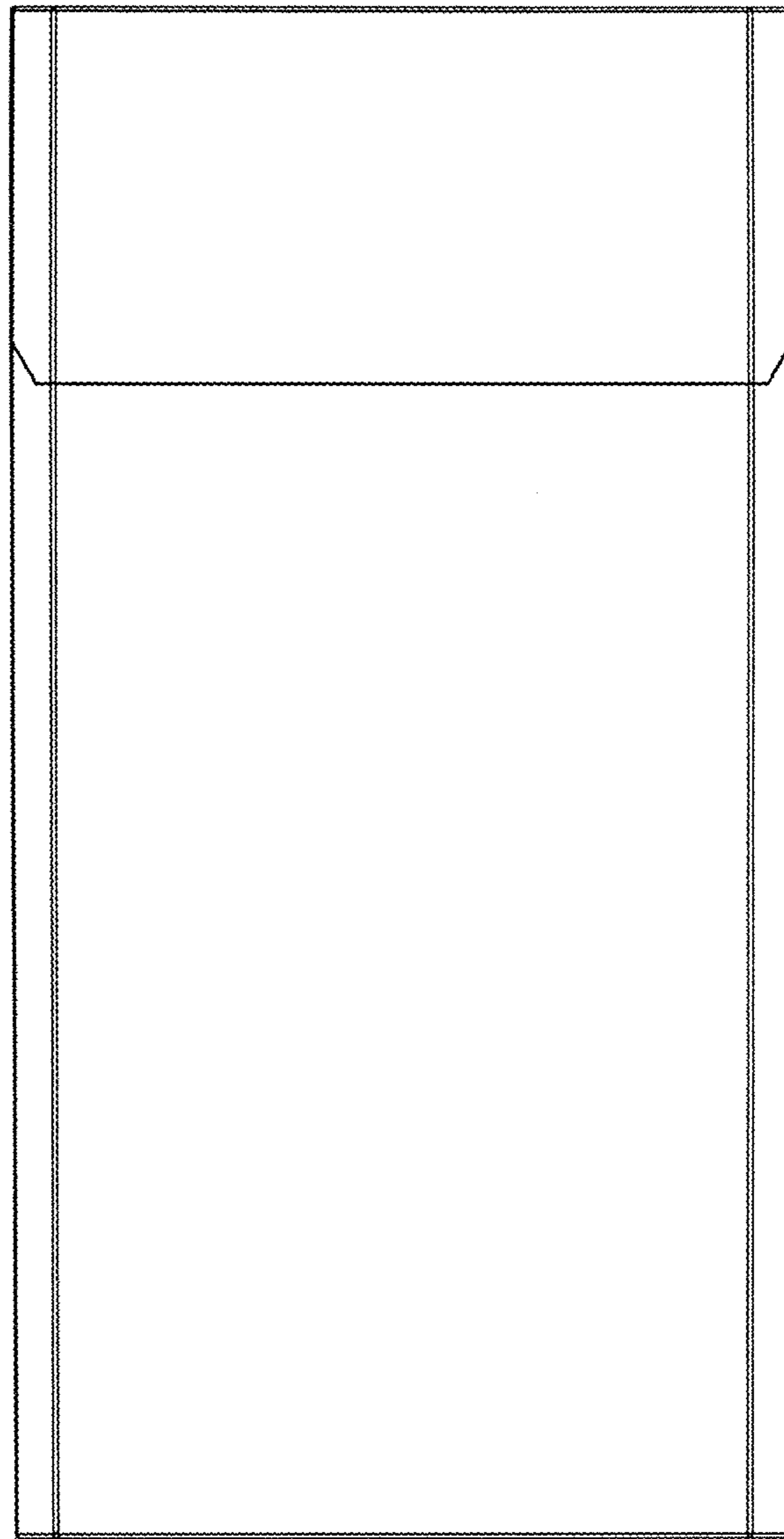


Fig. 1

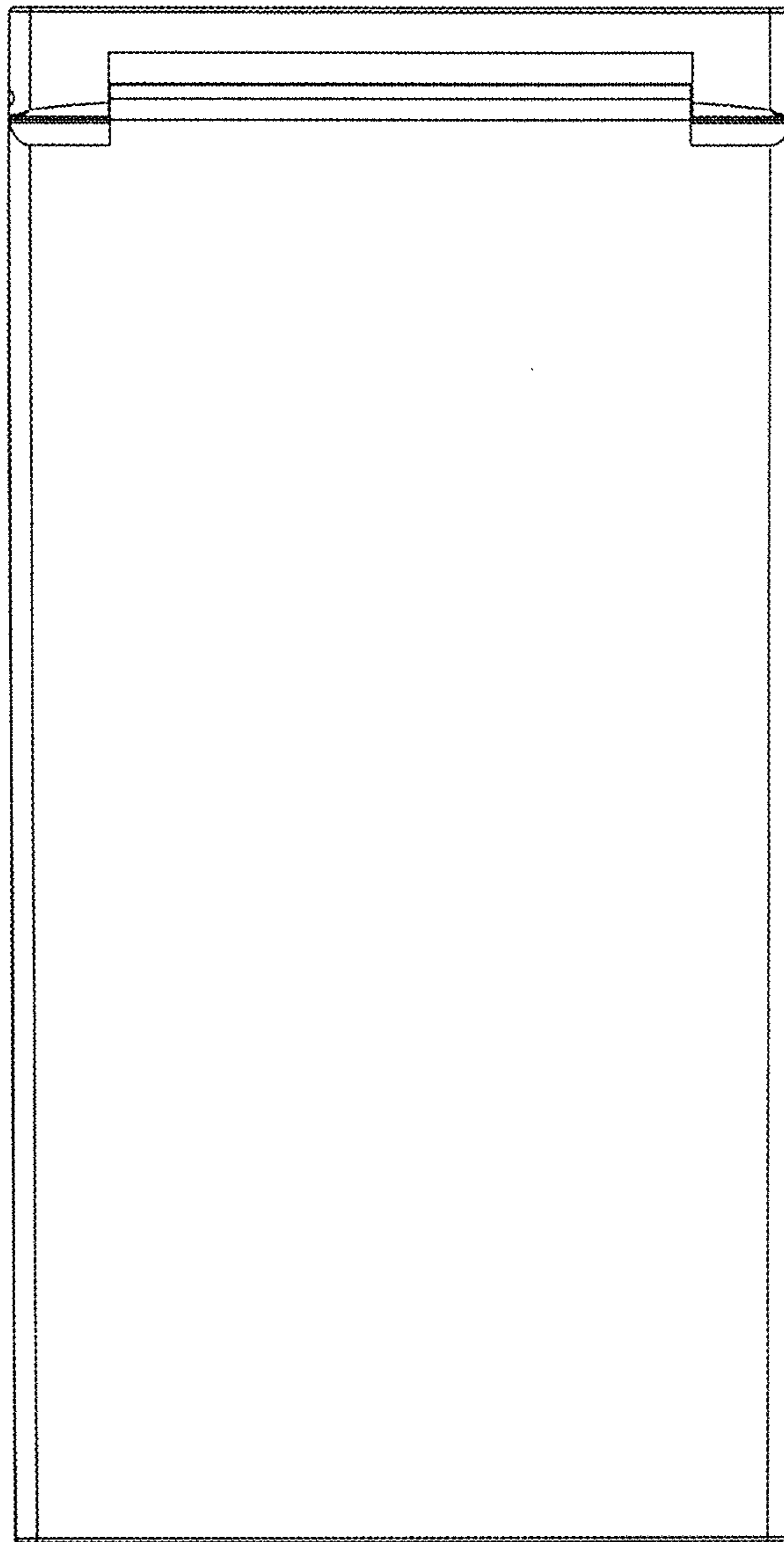


Fig. 2

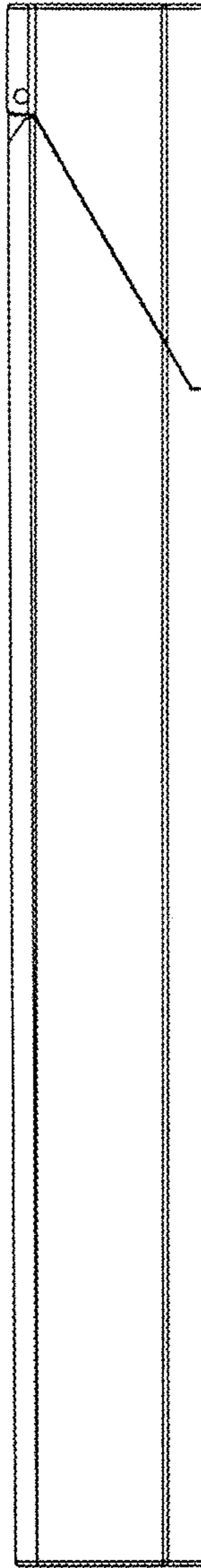


Fig. 3

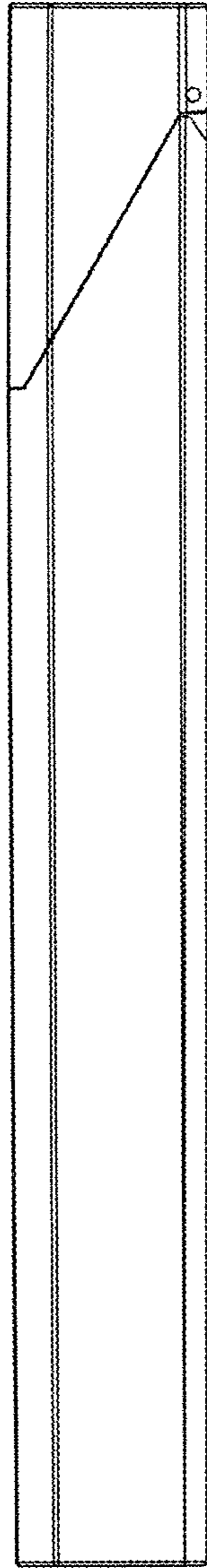


Fig. 4

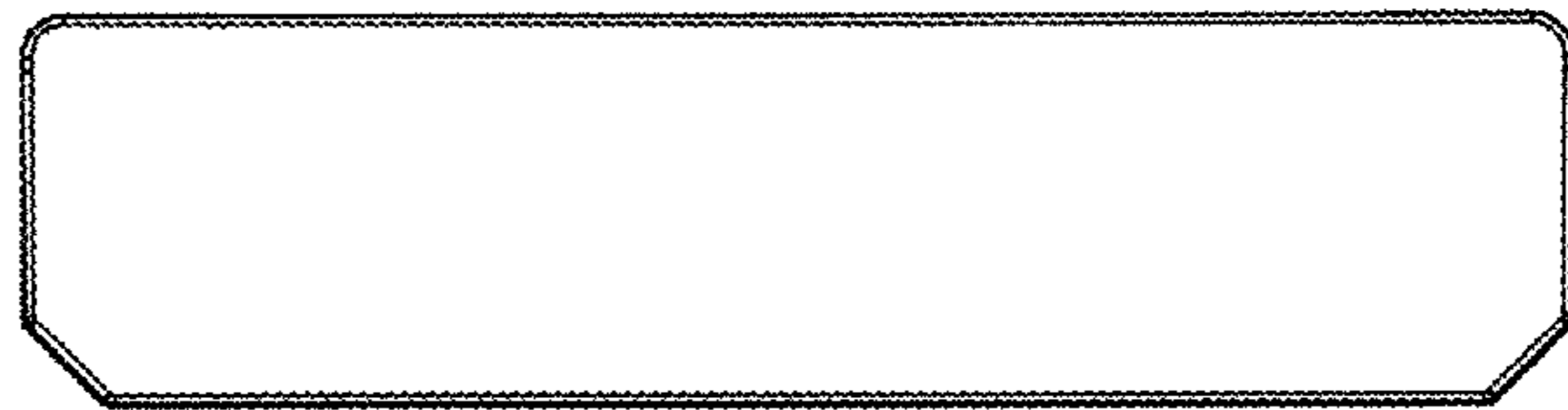


Fig. 5

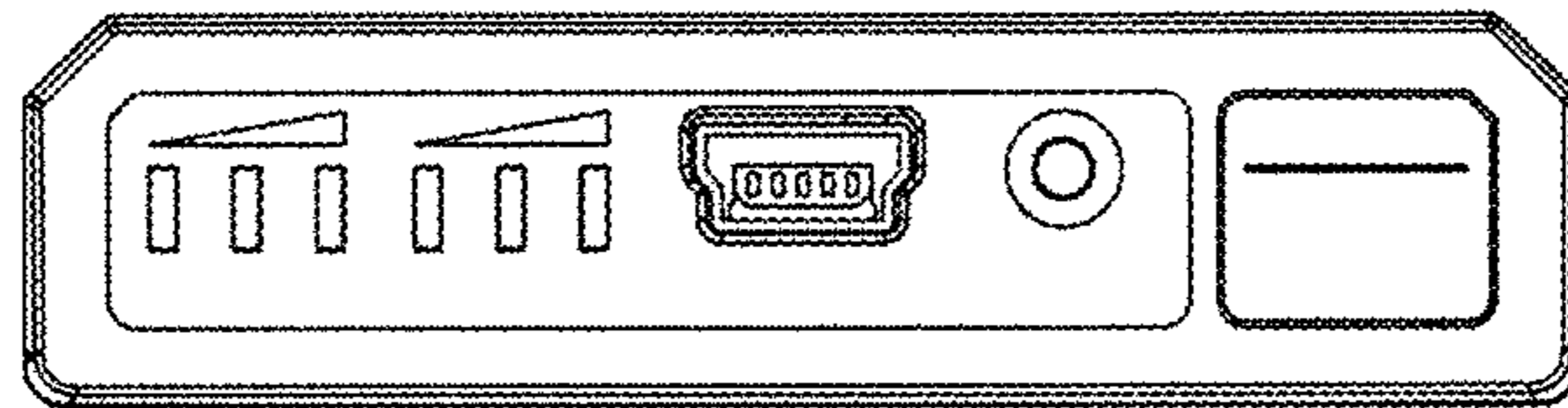


Fig. 6

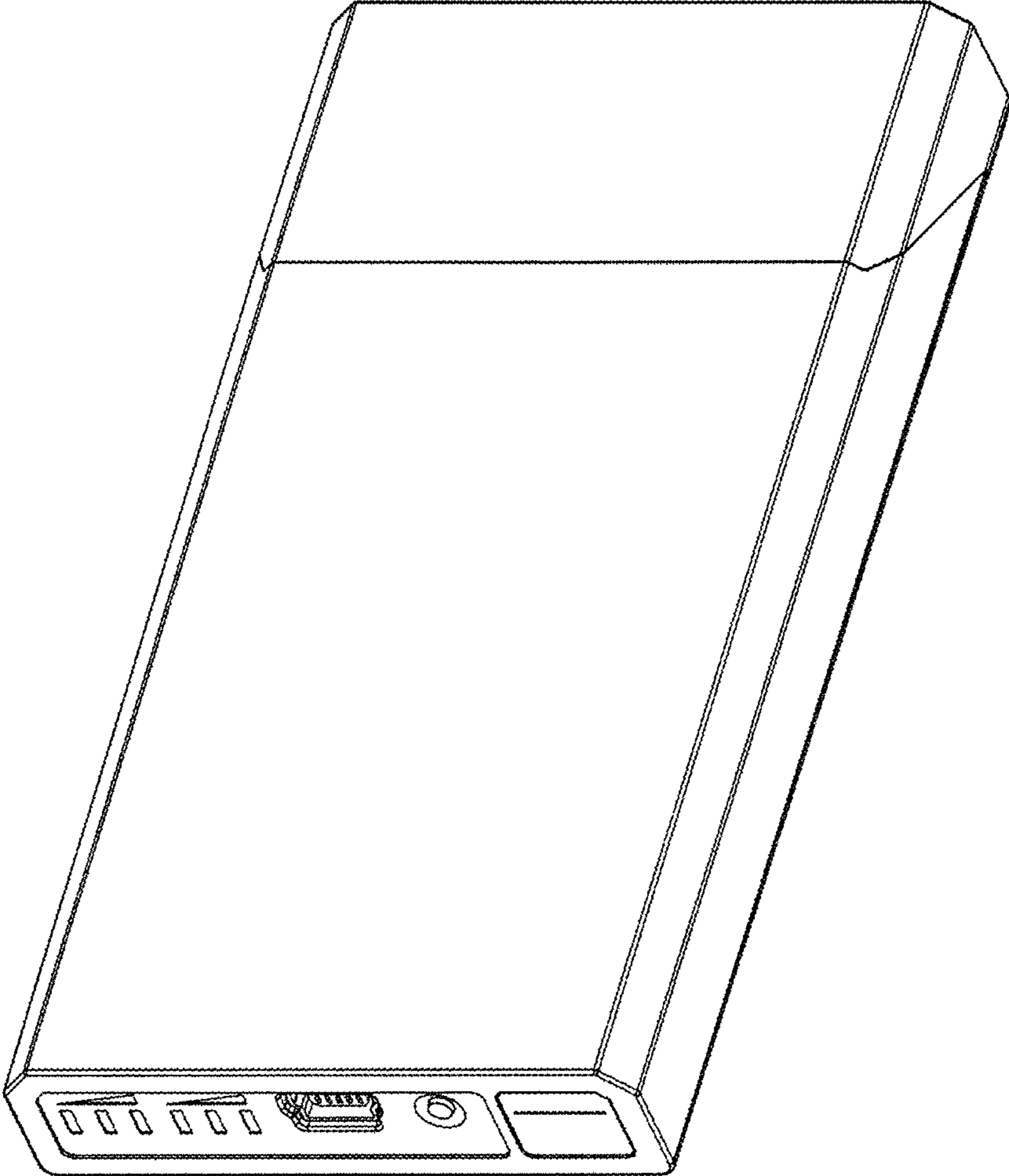


Fig. 7