



US00D681268S

(12) **United States Design Patent**
Wu

(10) **Patent No.:** **US D681,268 S**

(45) **Date of Patent:** **** Apr. 30, 2013**

- (54) **ELECTRONIC CIGARETTE CASE**
- (71) Applicant: **B2B International Holding Limited**,
Wilmington, DE (US)
- (72) Inventor: **Jianyong Wu**, Wilmington, DE (US)
- (73) Assignee: **B2B International Holding Limited**,
Wilmington
- (**) Term: **14 Years**
- (21) Appl. No.: **29/438,123**
- (22) Filed: **Nov. 26, 2012**
- (51) **LOC (9) Cl.** **27-06**
- (52) **U.S. Cl.**
USPC **D27/189**
- (58) **Field of Classification Search** D27/195,
D27/142, 143, 125, 194, 172, 196, 101, 170,
D27/189, 100, 162, 167, 169; 131/233, 254,
131/255, 329, 250, 251, 252, 253, 256, 248,
131/330, 187, 175, 328, 273, 274, 290, 291,
131/173, 202, 203, 204, 205, 206, 347, 360
See application file for complete search history.

(56) **References Cited**

U.S. PATENT DOCUMENTS

D356,183	S	*	3/1995	Conti	D27/189
5,478,011	A	*	12/1995	Pham	229/160.1
D419,259	S	*	1/2000	Johnson	D27/175
D441,497	S	*	5/2001	Focke et al.	D27/189
D448,888	S	*	10/2001	Focke et al.	D27/189
D472,013	S	*	3/2003	Conti et al.	D27/189

D510,777	S	*	10/2005	Engel	D27/189
D609,398	S	*	2/2010	Hearn	D27/189
D613,903	S	*	4/2010	Wu et al.	D27/189
D613,904	S	*	4/2010	Wu et al.	D27/189
D616,146	S	*	5/2010	Holford	D27/189
D629,155	S	*	12/2010	de The et al.	D27/189
D636,931	S	*	4/2011	de The et al.	D27/189
D636,932	S	*	4/2011	de The et al.	D27/189
D638,291	S	*	5/2011	England	D9/432
D644,511	S	*	9/2011	England	D9/433
D656,094	S	*	3/2012	Wu	D13/108
D657,240	S	*	4/2012	England	D9/432
D668,535	S	*	10/2012	Collins	D9/423
D671,677	S	*	11/2012	Wu	D27/189
D671,678	S	*	11/2012	Wu	D27/189
2006/0191986	A1	*	8/2006	Focke et al.	229/160.1
2010/0059395	A1	*	3/2010	England	206/259

* cited by examiner

Primary Examiner — Kevin Rudzinski

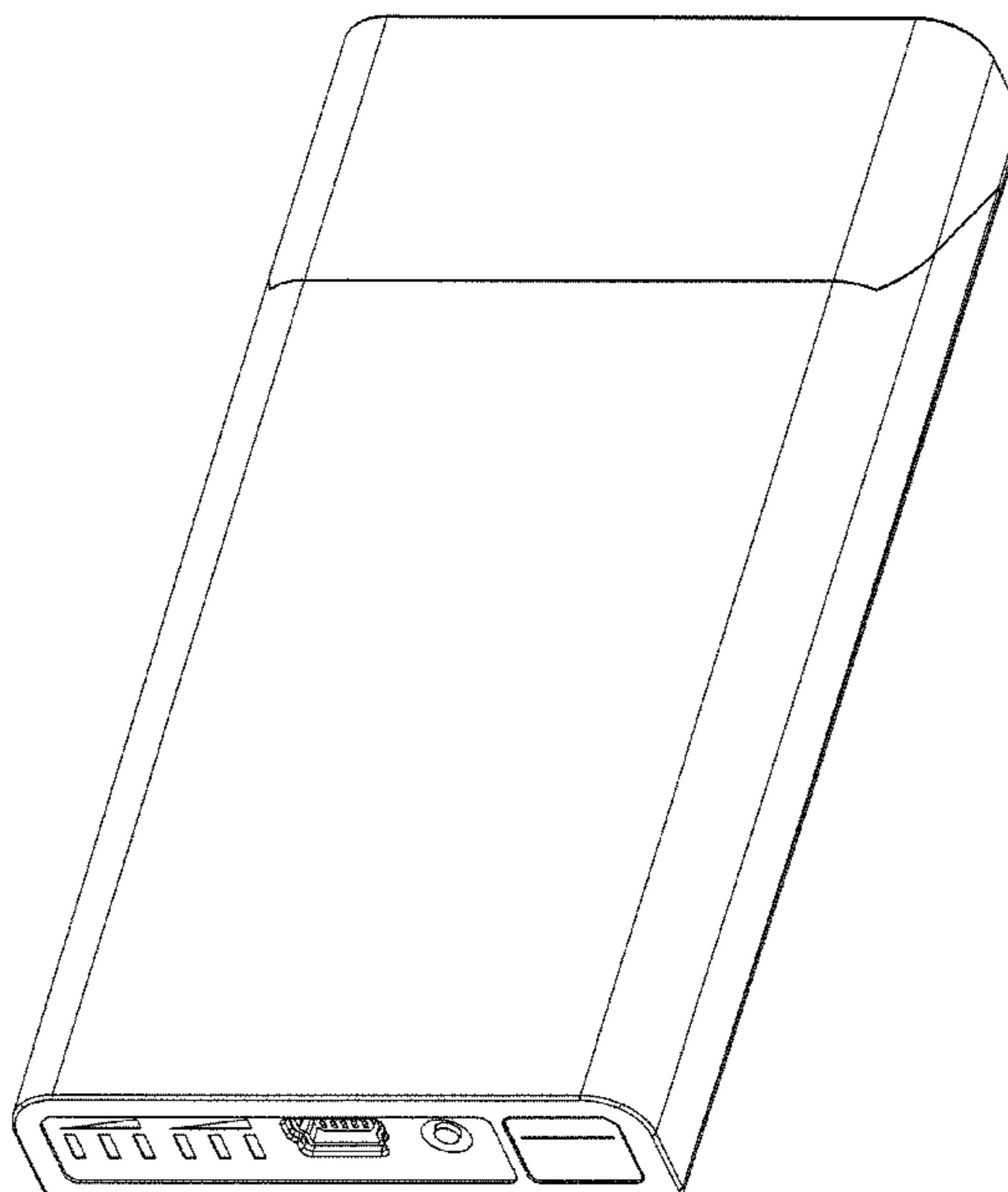
(57) **CLAIM**

The ornamental design for an electronic cigarette case, as shown and described.

DESCRIPTION

FIG. 1 is a front elevational view of an electronic cigarette case showing my new design;
 FIG. 2 is a rear elevational view thereof;
 FIG. 3 is a left side elevational view thereof;
 FIG. 4 is a right side elevational view thereof;
 FIG. 5 is a top plan view thereof;
 FIG. 6 is a bottom plan view thereof; and,
 FIG. 7 is a perspective view thereof.

1 Claim, 7 Drawing Sheets



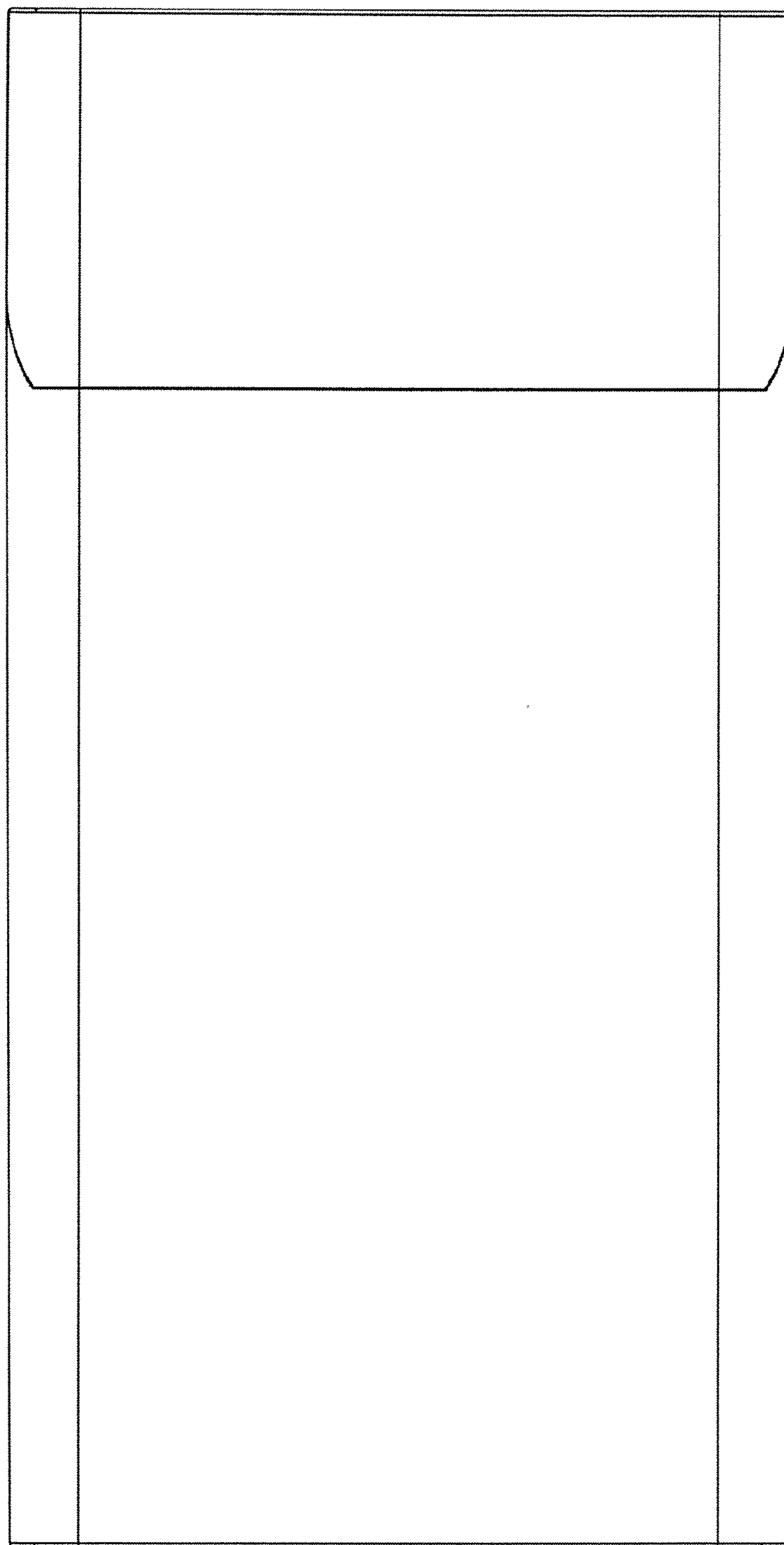


Fig. 1

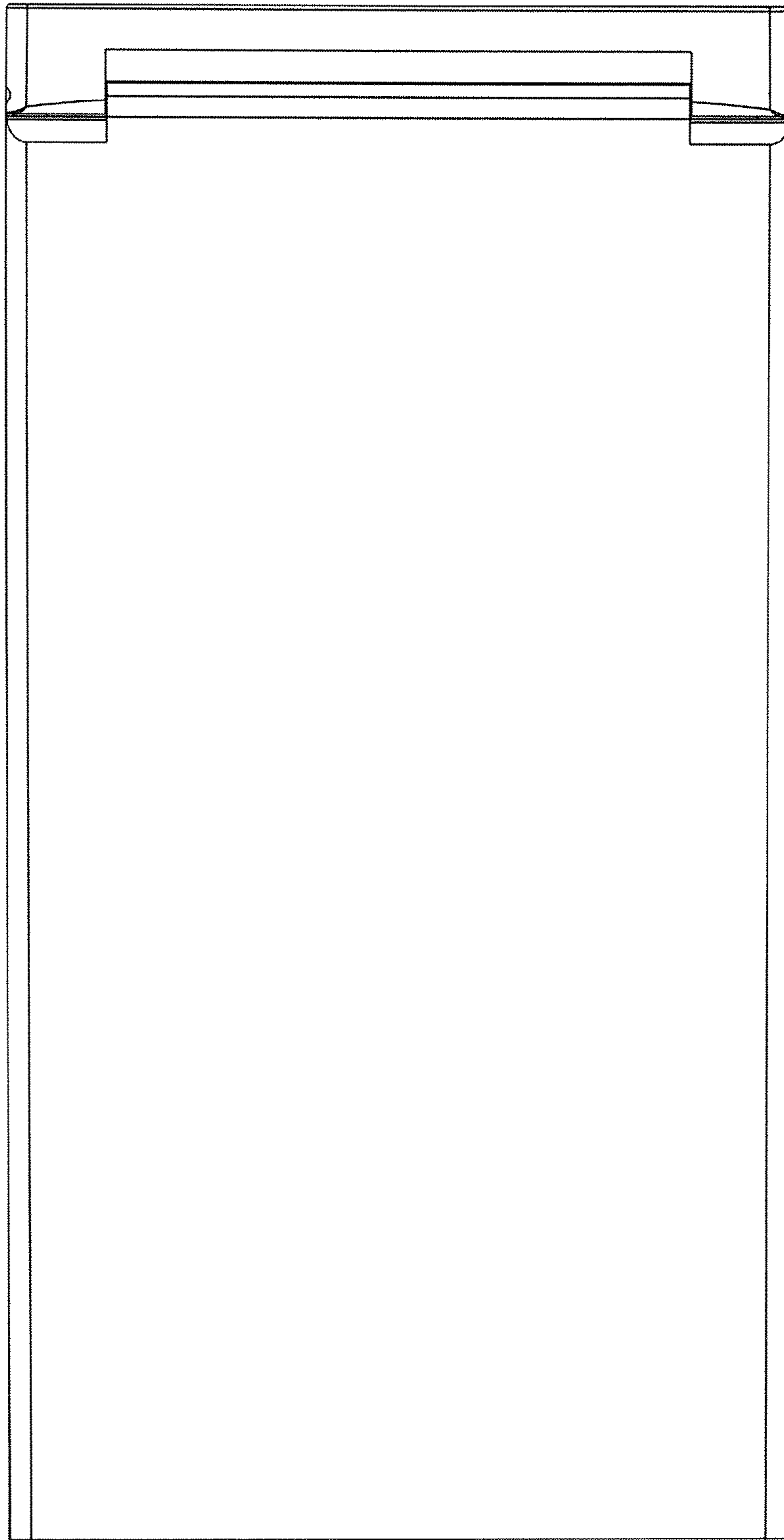


Fig. 2

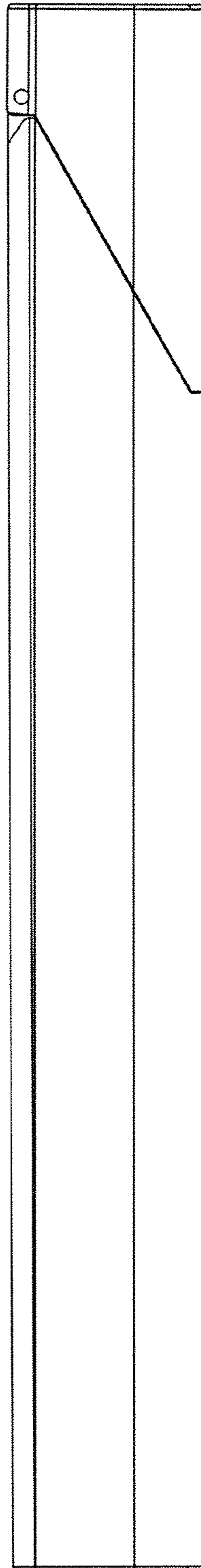


Fig. 3

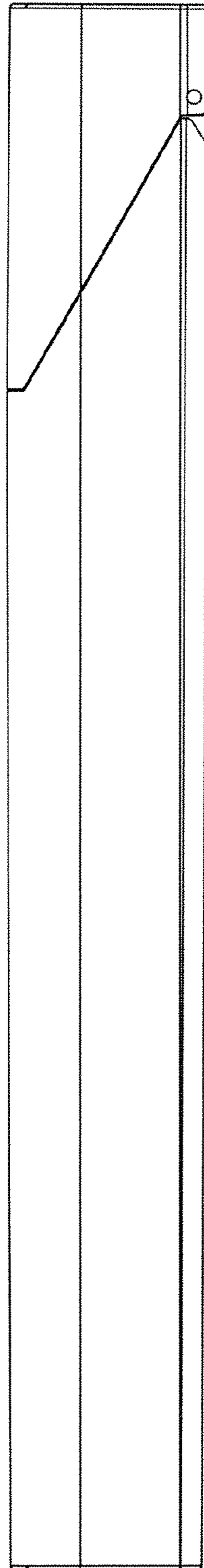


Fig. 4

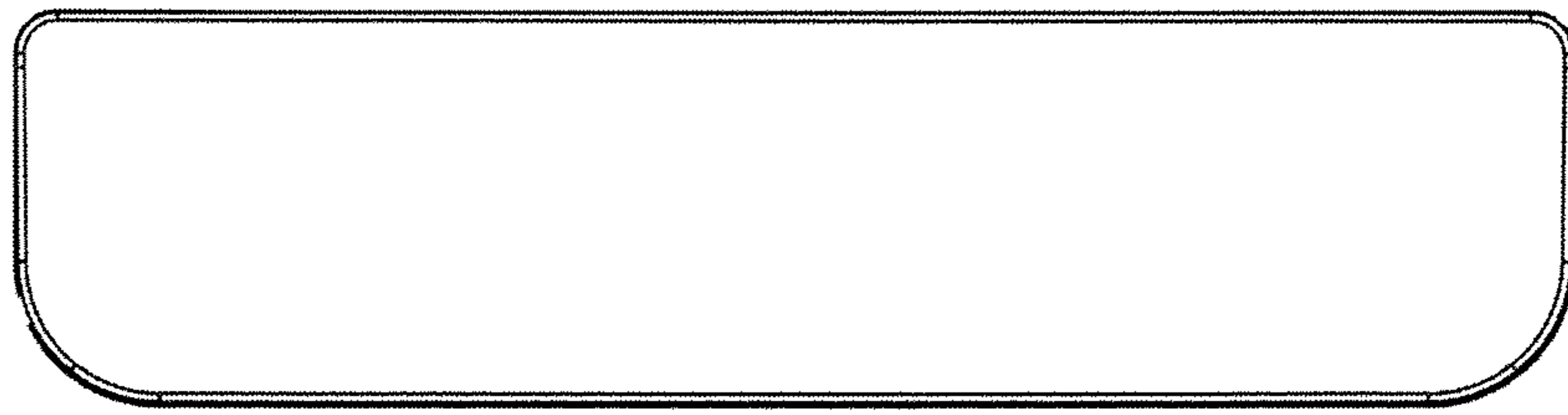


Fig. 5

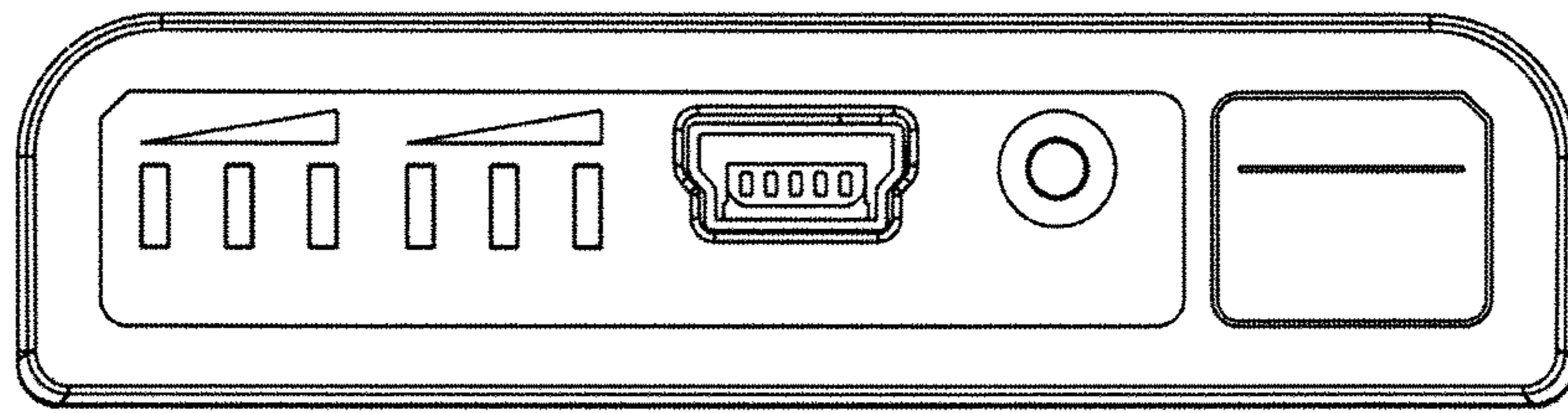


Fig. 6

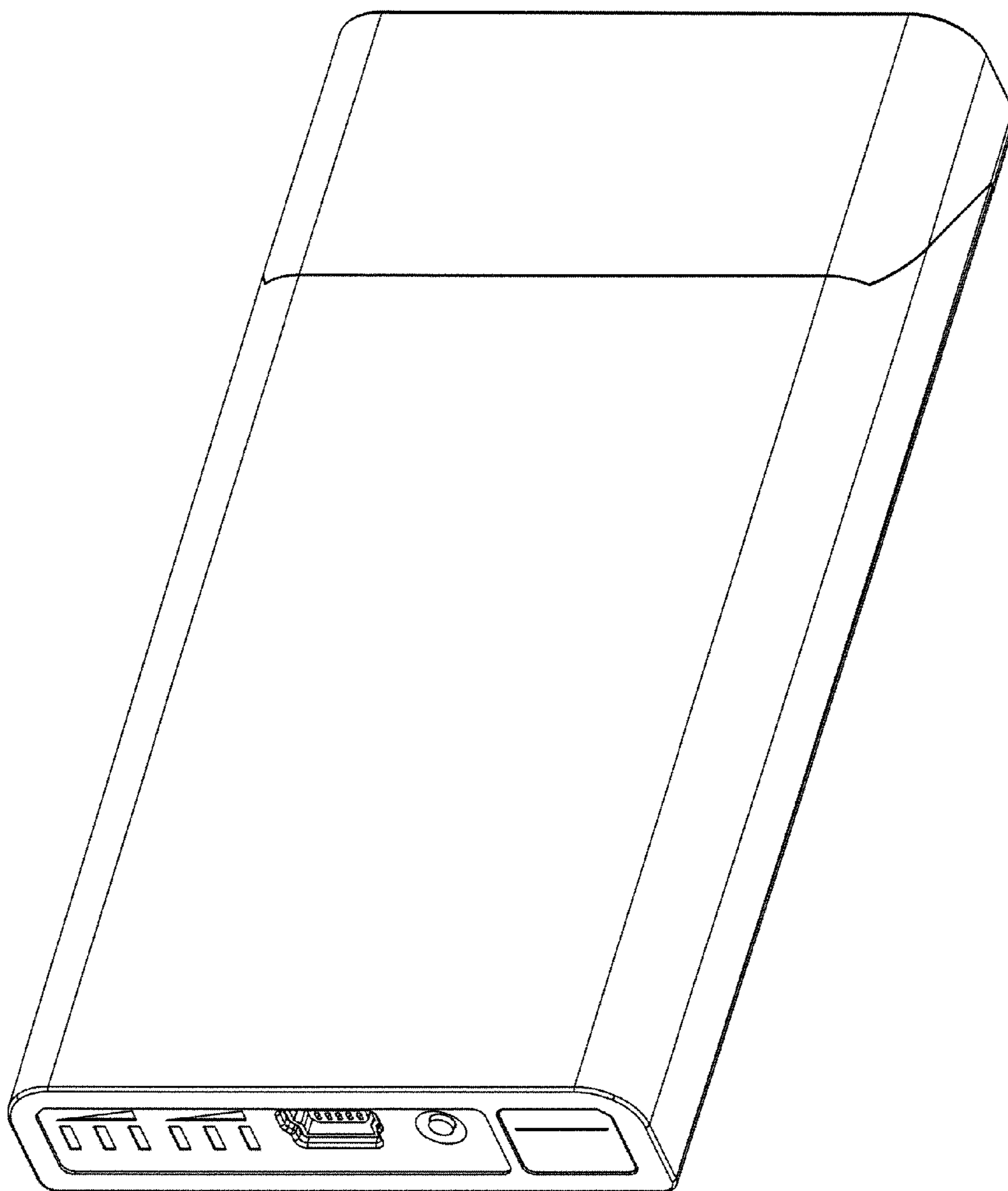


Fig. 7