

US00D681265S

(12) **United States Design Patent**  
**Kim et al.**

(10) **Patent No.:** **US D681,265 S**  
(45) **Date of Patent:** **\*\* Apr. 30, 2013**

(54) **LED LAMP**

(75) Inventors: **Han Gyoul Kim**, Seoul (KR); **Young Sik Kim**, Seoul (KR); **Sang Jun Hong**, Seoul (KR); **Young Kuk Kwak**, Seoul (KR)

(73) Assignee: **LG Innotek Co., Ltd.**, Seoul (KR)

(\*\*) Term: **14 Years**

(21) Appl. No.: **29/404,892**

(22) Filed: **Oct. 26, 2011**

(30) **Foreign Application Priority Data**

Apr. 26, 2011 (KR) ..... 30-2011-0017014

(51) **LOC (9) Cl.** ..... **26-99**

(52) **U.S. Cl.**  
USPC ..... **D26/141**

(58) **Field of Classification Search** ..... D26/155,  
D26/60, 152, 154, 74, 75, 76, 77, 78, 113,  
D26/118, 119, 120, 121, 122, 128, 138, 125,  
D26/124, 126, 127, 85, 86, 88, 89, 90, 91,  
D26/65, 64, 67, 68, 1, 2, 24, 141, 142, 145,  
D26/144, 92, 93, 62, 63, 51, 56, 55, 58, 104,  
D26/139, 140, 3; 362/101, 225, 634, 246,  
362/326, 249.01-249.11, 220, 221, 224,  
362/222, 223, 275, 276, 277, 271, 162, 450,  
362/236; 211/10; 439/94, 95, 115, 110;  
D8/380, 396, 394, 72, 354, 349, 373; D6/310,  
D6/314, 470; D23/411; D11/90, 89, 132;  
D19/96, 90, 77, 78, 75; D13/179, 180, 155

See application file for complete search history.

(56) **References Cited**

**U.S. PATENT DOCUMENTS**

D192,878 S \* 5/1962 Muller ..... D26/76  
D357,732 S \* 4/1995 Spechts et al. .... D23/388

D361,402 S \* 8/1995 Herst et al. .... D26/152  
5,440,466 A \* 8/1995 Belisle et al. .... 362/222  
5,615,943 A \* 4/1997 Coldren ..... 362/220  
D427,706 S \* 7/2000 Irvine ..... D26/76  
D428,508 S \* 7/2000 Irvine ..... D26/76  
6,210,025 B1 \* 4/2001 Schmidt et al. .... 362/362  
D473,007 S \* 4/2003 Herst et al. .... D26/113  
D493,245 S \* 7/2004 Delson ..... D26/78  
D496,747 S \* 9/2004 Herst et al. .... D26/76  
D514,731 S \* 2/2006 Engel ..... D26/88  
D537,187 S \* 2/2007 Lucatello ..... D26/84  
D556,359 S \* 11/2007 Cunius ..... D26/76  
D569,025 S \* 5/2008 Hakamada ..... D26/74  
D573,744 S \* 7/2008 Engel ..... D26/76

(Continued)

*Primary Examiner* — Kevin Rudzinski

(74) *Attorney, Agent, or Firm* — Lowe Hauptman Ham & Berner, LLP

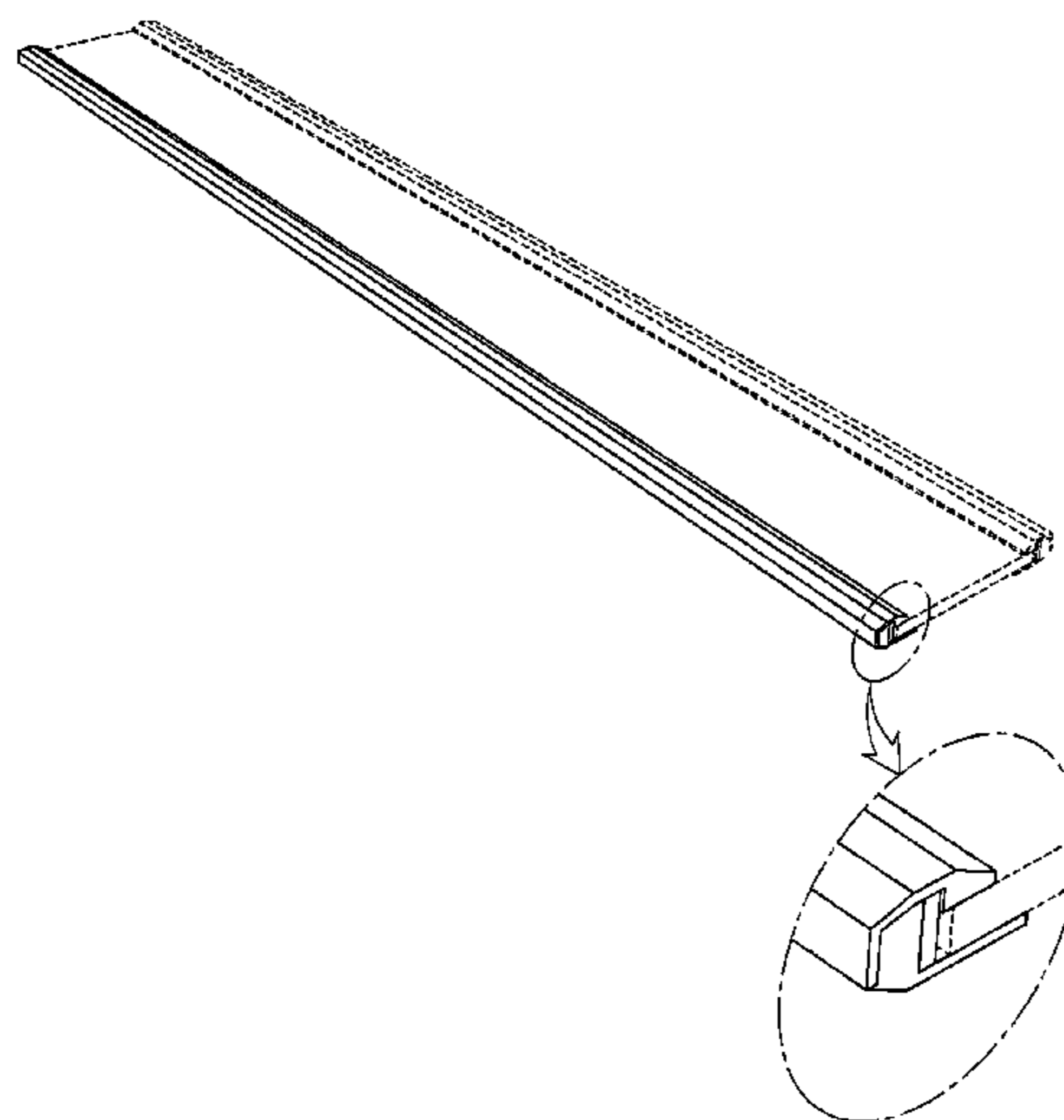
(57) **CLAIM**

The ornamental design for a LED lamp, as shown and described.

**DESCRIPTION**

FIG. 1 is a perspective view of a LED lamp showing my/our new design;  
FIG. 2 is a front elevational view thereof, the rear side being a mirror image;  
FIG. 3 is a left side elevational view thereof;  
FIG. 4 is a right side elevational view thereof;  
FIG. 5 is a top plan view thereof; and  
FIG. 6 is a bottom plan view thereof;  
FIG. 7 is a reference view including enlarged partial view of interior details of FIG. 1; and,  
FIG. 8 is an additional reference view including enlarged partial view of interior details of FIG. 2.  
The broken lines shown in the drawings illustrate portions of the LED lamp that form no part of the claimed design.

**1 Claim, 5 Drawing Sheets**



# US D681,265 S

Page 2

---

## U.S. PATENT DOCUMENTS

D581,080 S *	11/2008	Mier-Langner .....	D26/72	D645,194 S *	9/2011	Budike et al. ....	D26/76
D600,394 S *	9/2009	Ambruster .....	D26/91	D647,246 S *	10/2011	Chadwick .....	D26/138
D602,626 S *	10/2009	Santoro et al. ....	D26/76	D649,677 S *	11/2011	Wegger et al. ....	D26/90
7,604,376 B2 *	10/2009	Sloan et al. ....	362/246	D650,509 S *	12/2011	Wegger et al. ....	D26/90
D606,501 S *	12/2009	Plonski et al. ....	D13/179	D655,854 S *	3/2012	Kim et al. ....	D26/89
D610,735 S *	2/2010	Chien .....	D26/76	2002/0003698 A1 *	1/2002	Engel .....	362/224
D627,915 S *	11/2010	Pei et al. ....	D26/76	2006/0018116 A1 *	1/2006	Plunk et al. ....	362/217
D632,004 S *	2/2011	Waldmann .....	D26/88	2008/0285264 A1 *	11/2008	Whitehouse et al. ....	362/217
D645,192 S *	9/2011	Chung et al. ....	D26/75	2009/0196024 A1 *	8/2009	Heiking et al. ....	362/150

\* cited by examiner

FIG. 1

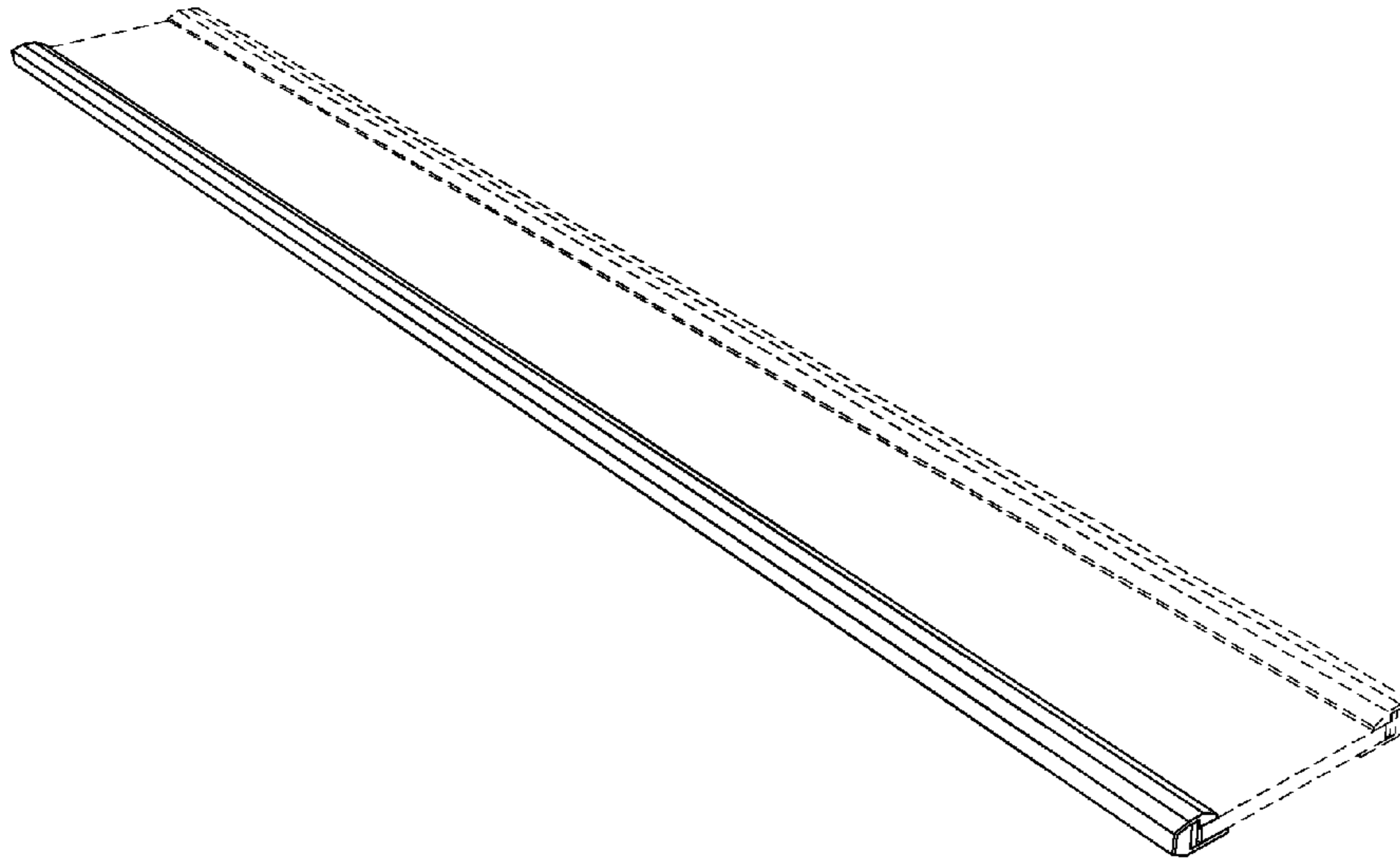


FIG. 2

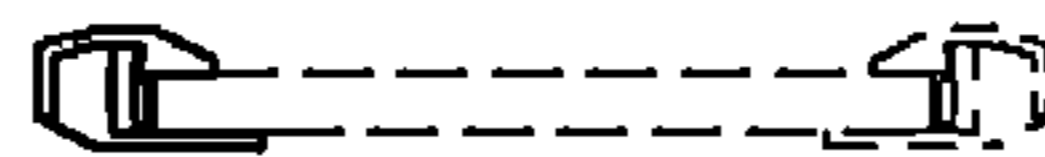


FIG. 3

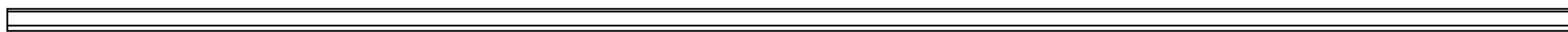


FIG. 4

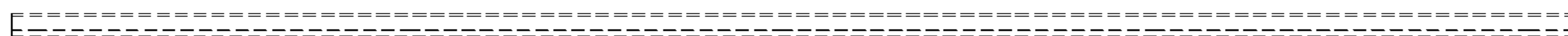


FIG. 5

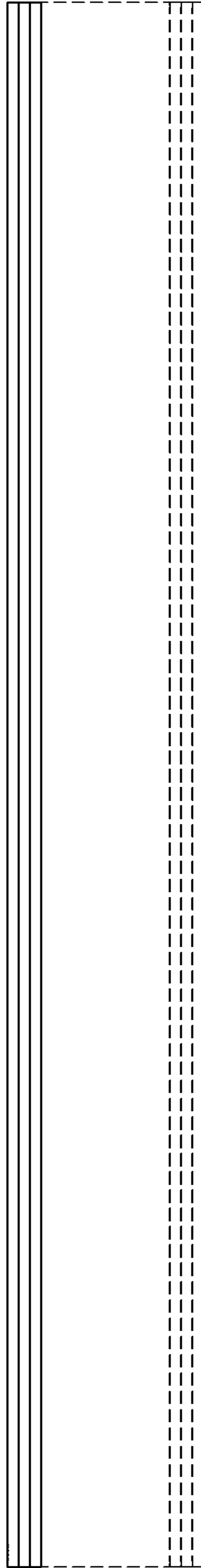


FIG. 6

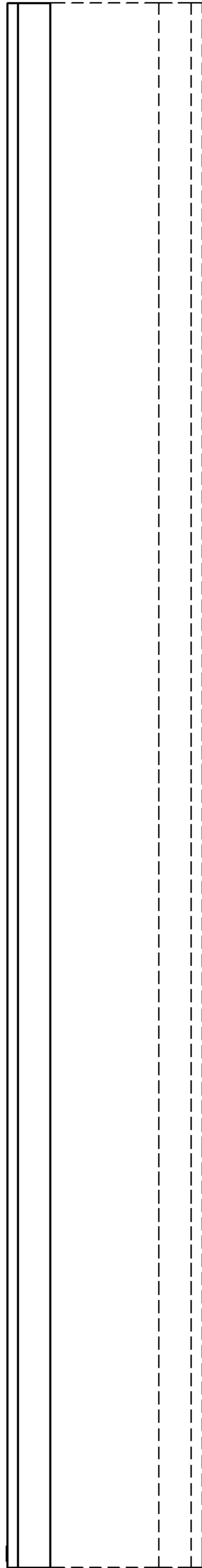


FIG. 7

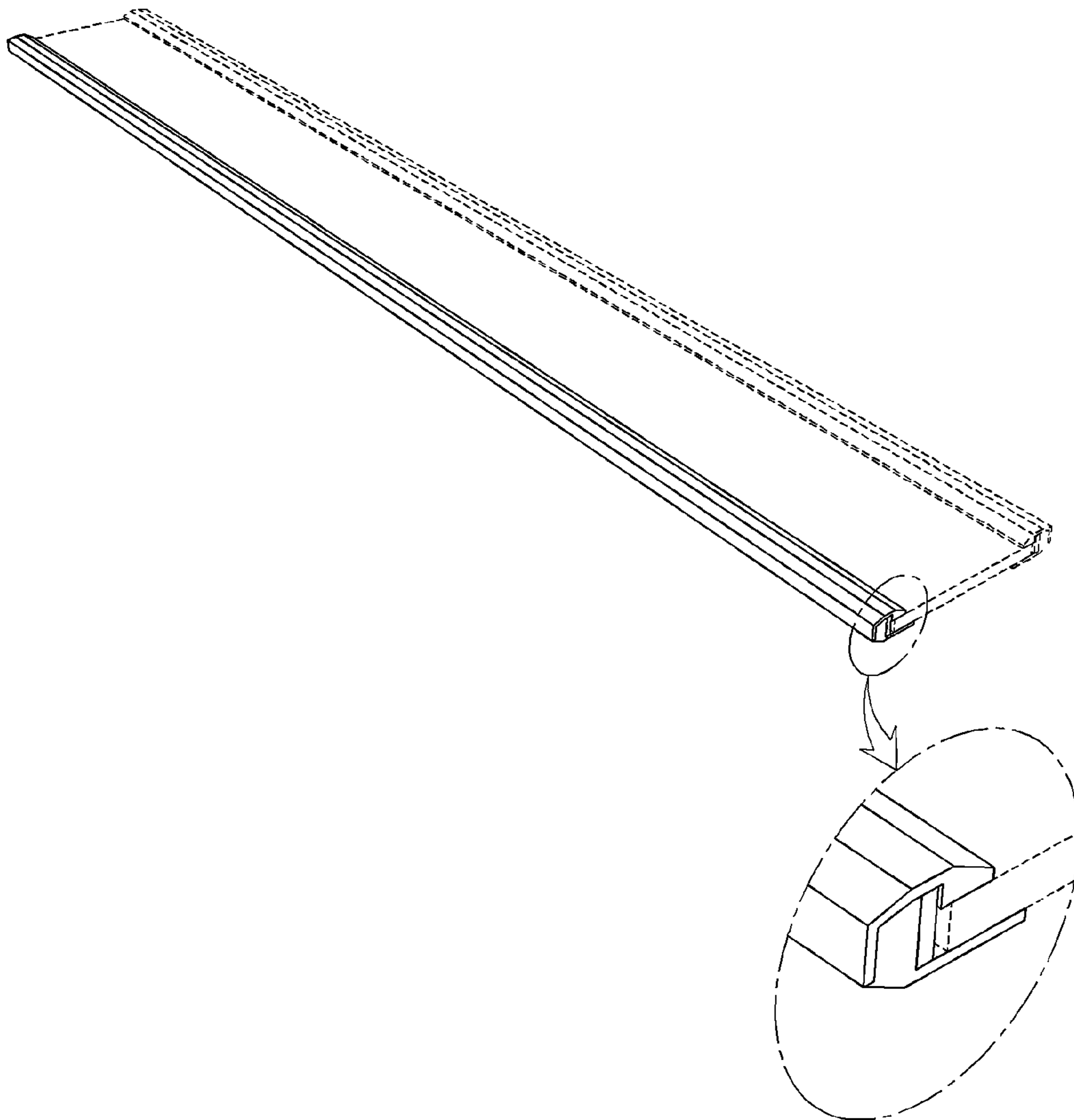


FIG. 8

