



US00D681264S

(12) **United States Design Patent**
Jara

(10) **Patent No.:** **US D681,264 S**

(45) **Date of Patent:** **** Apr. 30, 2013**

(54) **VEHICLE FOGLIGHT BEZEL**

D608,498 S * 1/2010 Beigel et al. D26/139
D611,189 S * 3/2010 Elliott et al. D26/139
D639,502 S * 6/2011 Heilaneh et al. D26/139

(75) Inventor: **Tomasz Jara**, Pulheim (DE)

* cited by examiner

(73) Assignee: **Ford Global Technologies, LLC**,
Dearborn, MI (US)

Primary Examiner — Marcus Jackson

(**) Term: **14 Years**

(74) *Attorney, Agent, or Firm* — Damian Porcari

(21) Appl. No.: **29/409,785**

(57) **CLAIM**

The ornamental design for a vehicle foglight bezel, as shown and described.

(22) Filed: **Dec. 29, 2011**

DESCRIPTION

(51) **LOC (9) Cl.** **26-06**

(52) **U.S. Cl.**

USPC **D26/139**

(58) **Field of Classification Search** D26/28–36,
D26/139; 362/459–468, 475–478, 485–487
See application file for complete search history.

FIG. 1 is a left side elevational view of a left vehicle foglight bezel (the right vehicle foglight bezel being a mirror image and is not shown);

FIG. 2 is a right side elevational view of the vehicle foglight bezel;

FIG. 3 is a front elevational view of the vehicle foglight bezel;

FIG. 4 is a top plan view of the vehicle foglight bezel;

FIG. 5 is a bottom plan view of the vehicle foglight bezel;

FIG. 6 is a perspective view of the vehicle foglight bezel; and,

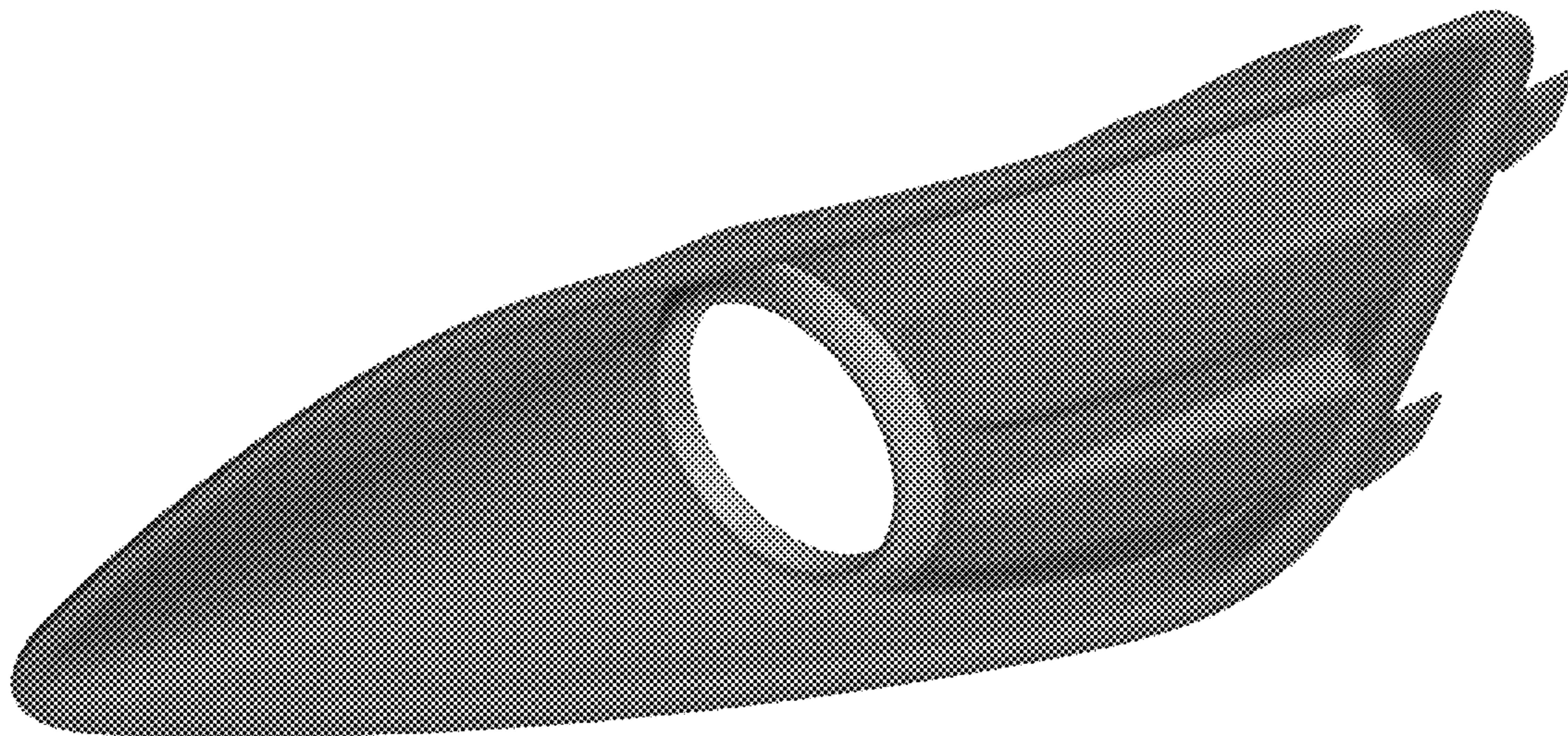
FIG. 7 is another perspective view of the vehicle foglight bezel.

(56) **References Cited**

U.S. PATENT DOCUMENTS

D421,817 S * 3/2000 Tucker et al. D26/139
D576,765 S * 9/2008 Song et al. D26/139
D595,895 S * 7/2009 Lamm D26/139
D604,893 S * 11/2009 Woolley et al. D26/139

1 Claim, 7 Drawing Sheets



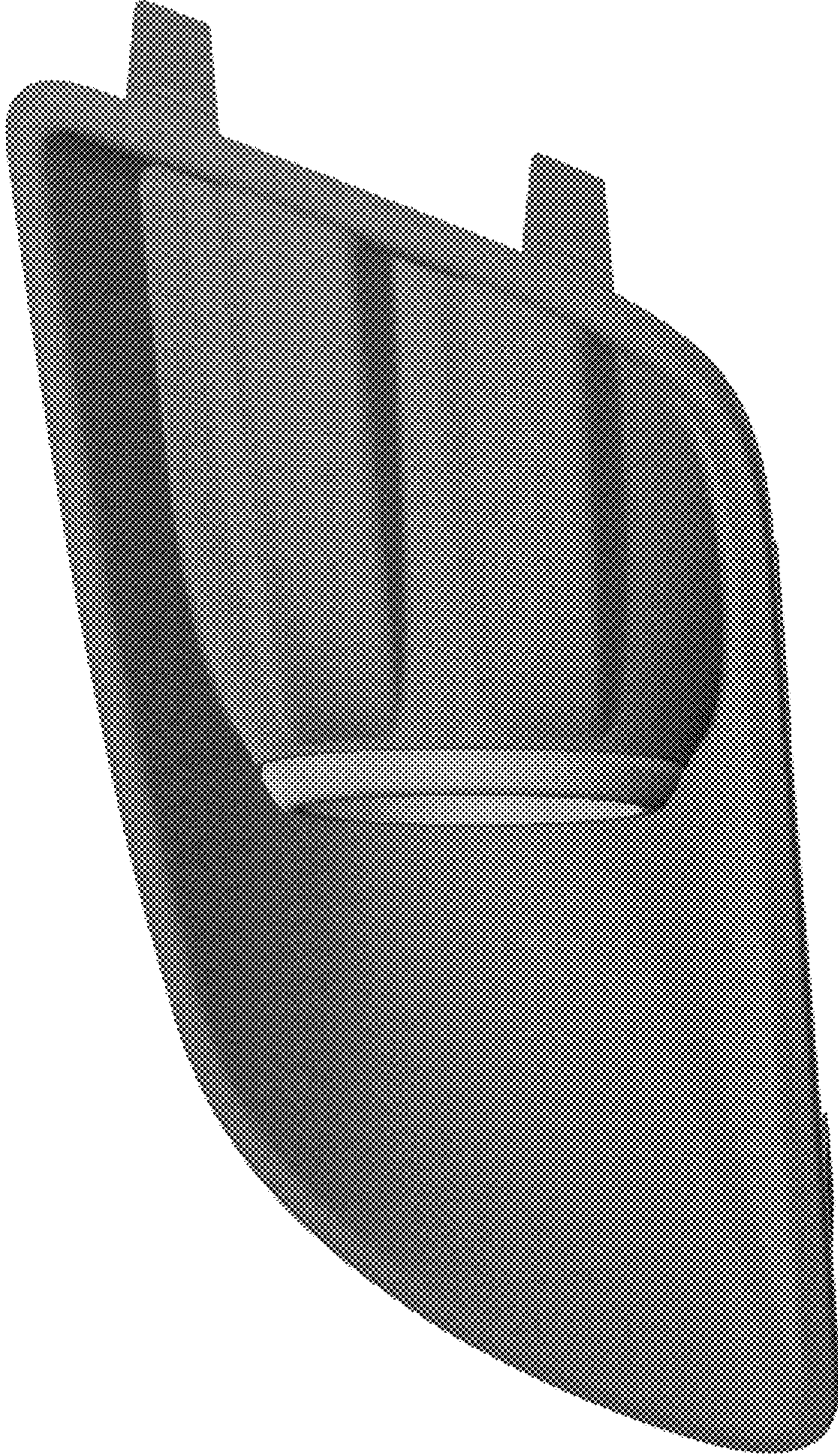


Figure 1



Figure 2



Figure 3

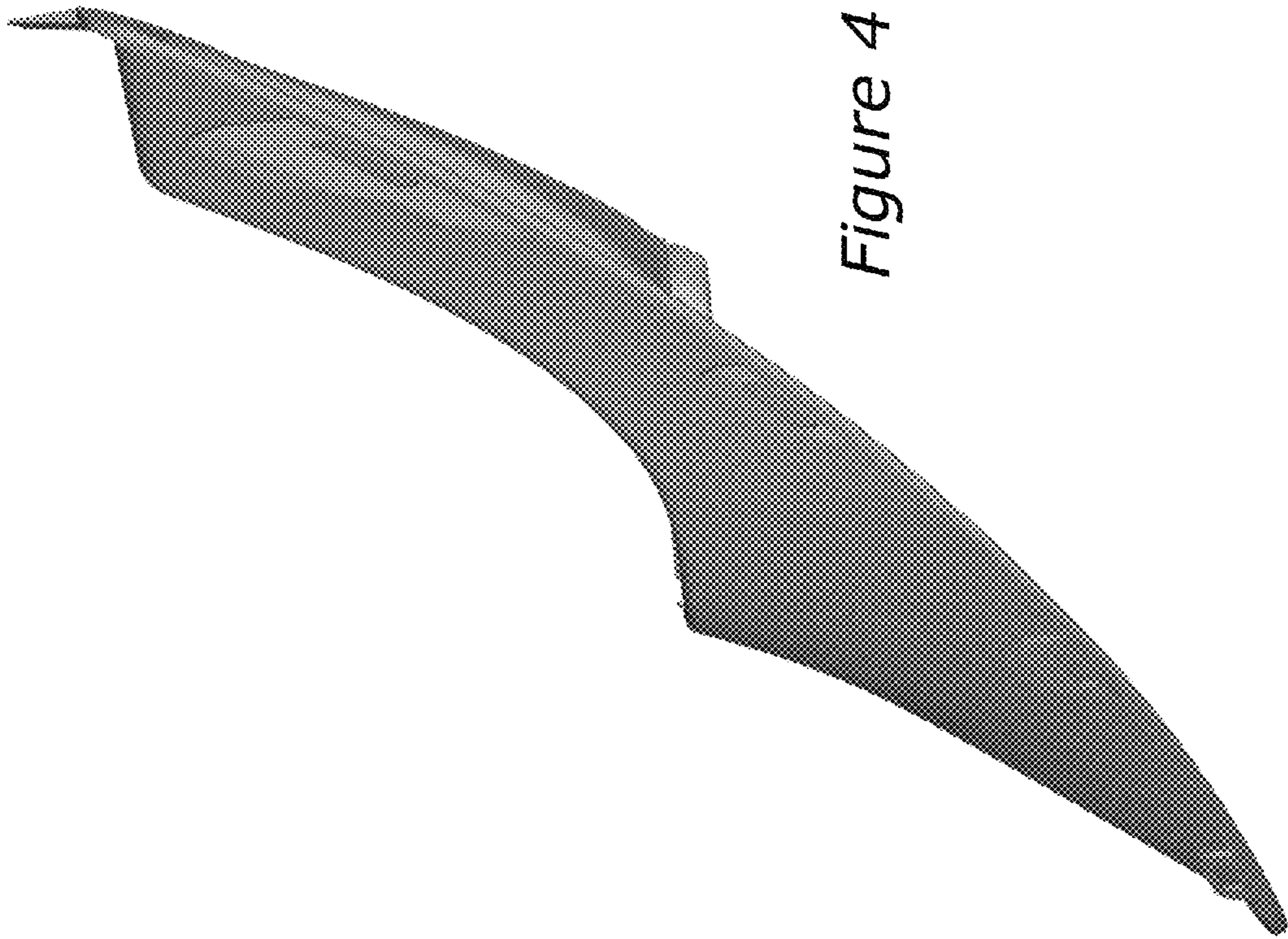


Figure 4

Figure 5

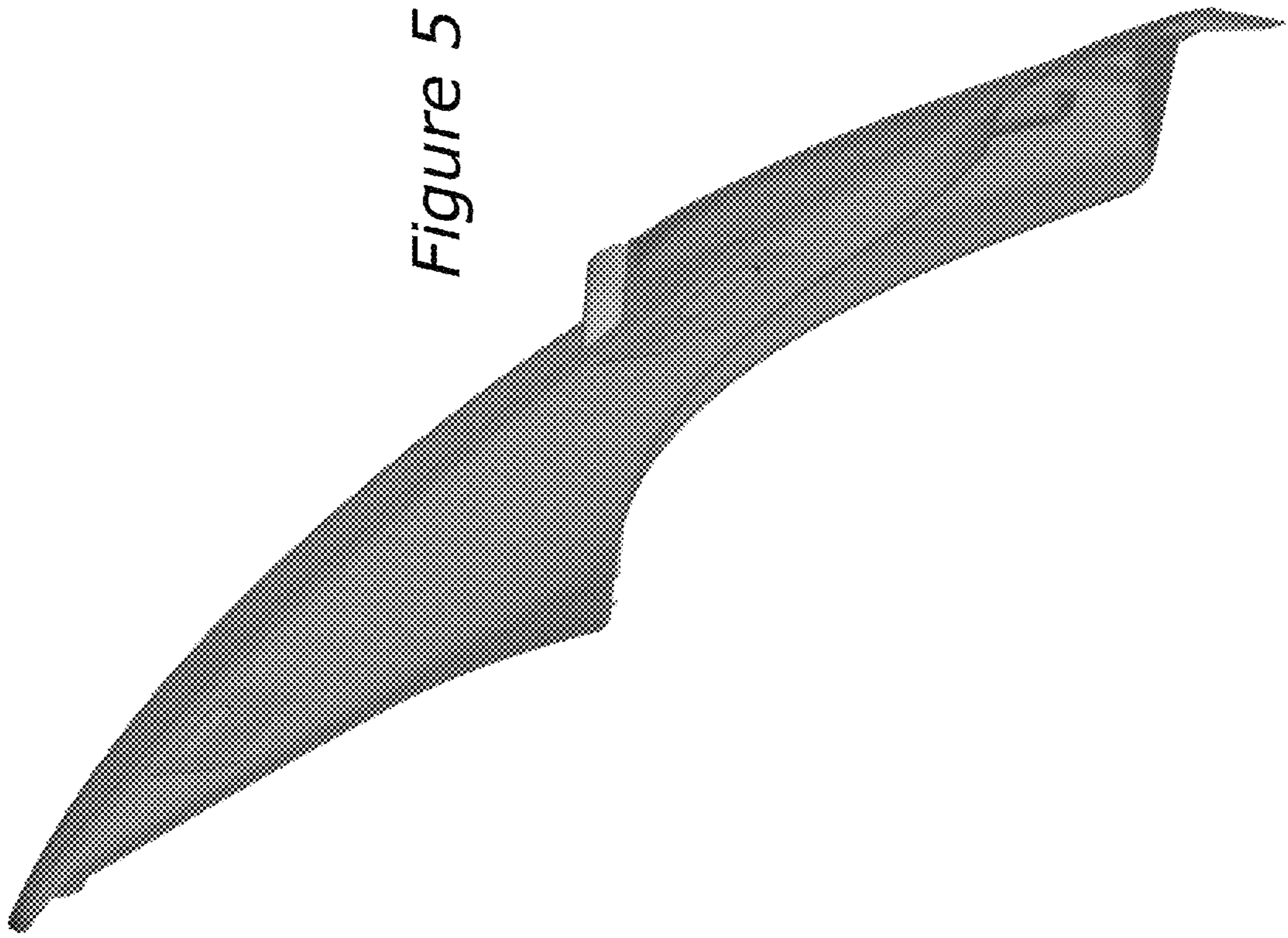




Figure 6

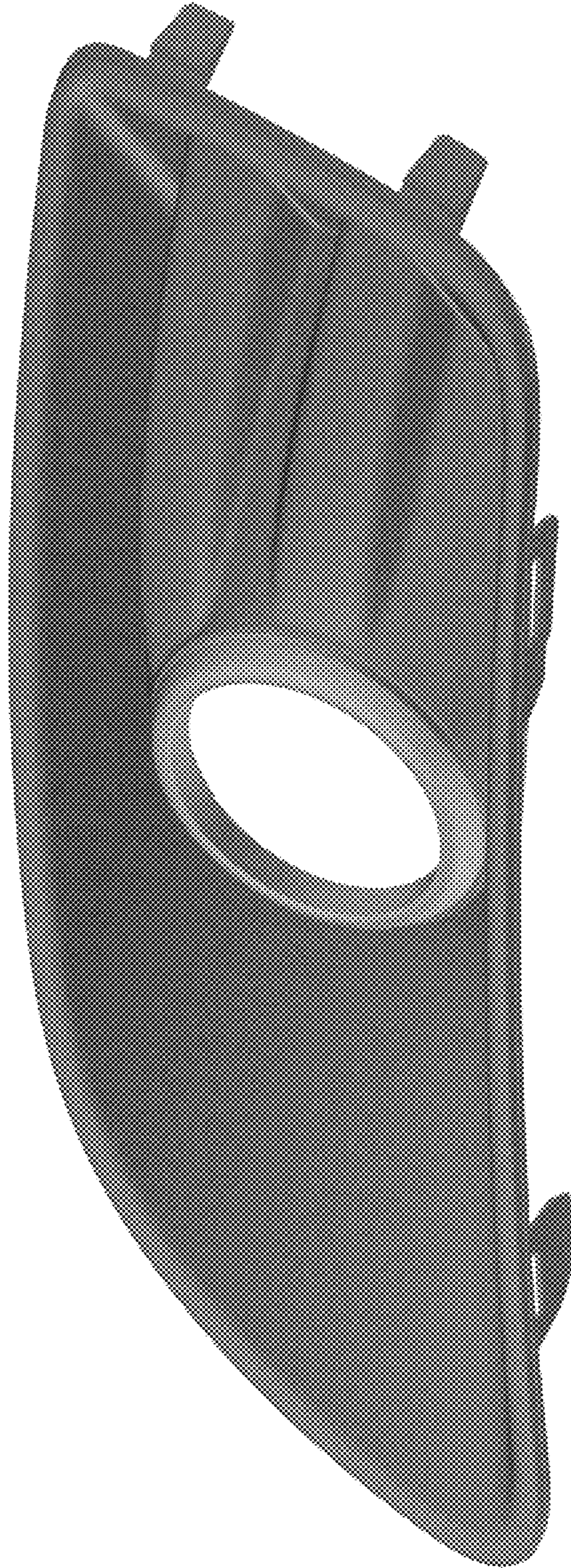


Figure 7