



US00D681261S

(12) **United States Design Patent**  
**Miyatake et al.**

(10) **Patent No.:** **US D681,261 S**  
(45) **Date of Patent:** **\*\* Apr. 30, 2013**

(54) **LIGHTING DEVICE**

(75) Inventors: **Tetsuya Miyatake**, Osaka (JP); **Koichi Hazumi**, Osaka (JP)

(73) Assignee: **Patlite Corporation**, Osaka (JP)

(\*\*) Term: **14 Years**

(21) Appl. No.: **29/419,579**

(22) Filed: **Apr. 30, 2012**

(30) **Foreign Application Priority Data**

Nov. 2, 2011 (JP) ..... 2011-25381 D

(51) **LOC (9) Cl.** ..... **26-99**

(52) **U.S. Cl.**  
USPC ..... **D26/120**

(58) **Field of Classification Search** ..... D26/1,  
D26/2, 118, 113, 138, 119, 120, 121, 122,  
D26/76, 77, 75, 78, 85, 86, 89, 90, 92, 64,  
D26/65, 66, 63, 72, 74, 68, 71, 28, 123, 124,  
D26/127, 128, 129, 134, 135, 132, 139, 154,  
D26/155, 152, 149, 148, 145, 143, 142, 140,  
D26/141, 153, 144, 91, 29, 24, 25, 26, 8,  
D26/114, 37, 87; 362/202, 347, 349, 362,  
362/419, 96, 192, 145, 294, 326, 267, 373,  
362/249.01-249.12; D13/102, 179, 180  
See application file for complete search history.

(56) **References Cited**

**U.S. PATENT DOCUMENTS**

D343,016 S \* 1/1994 Matsukawa ..... D26/35  
D495,822 S \* 9/2004 Yoneda ..... D26/124  
D506,274 S \* 6/2005 Moriyama et al. .... D26/3  
7,021,792 B2 \* 4/2006 Lin ..... 362/249.06  
D532,919 S \* 11/2006 Handsaker et al. .... D26/80

D539,944 S \* 4/2007 Egawa et al. .... D26/24  
D539,945 S \* 4/2007 Egawa et al. .... D26/24  
7,267,459 B2 \* 9/2007 Matheson ..... 362/362  
D565,515 S \* 4/2008 Chen ..... D13/180  
7,434,959 B1 \* 10/2008 Wang ..... 362/249.01  
D612,973 S \* 3/2010 Munstermann ..... D26/80  
D612,977 S \* 3/2010 Chen ..... D26/128  
D614,323 S \* 4/2010 Stewart et al. .... D26/3  
D625,032 S \* 10/2010 Mollaert et al. .... D26/3  
D628,540 S \* 12/2010 Tsou ..... D13/180  
D629,961 S \* 12/2010 Little et al. .... D26/120  
D629,963 S \* 12/2010 Little et al. .... D26/138  
D636,504 S \* 4/2011 Duster ..... D26/3  
7,931,387 B2 \* 4/2011 Song ..... 362/249.02  
D659,880 S \* 5/2012 Maxik et al. .... D26/80  
D662,245 S \* 6/2012 Steffy ..... D26/75  
2008/0002413 A1 \* 1/2008 Wang et al. .... 362/341

\* cited by examiner

*Primary Examiner* — Kevin Rudzinski

(74) *Attorney, Agent, or Firm* — DLA Piper LLP (US)

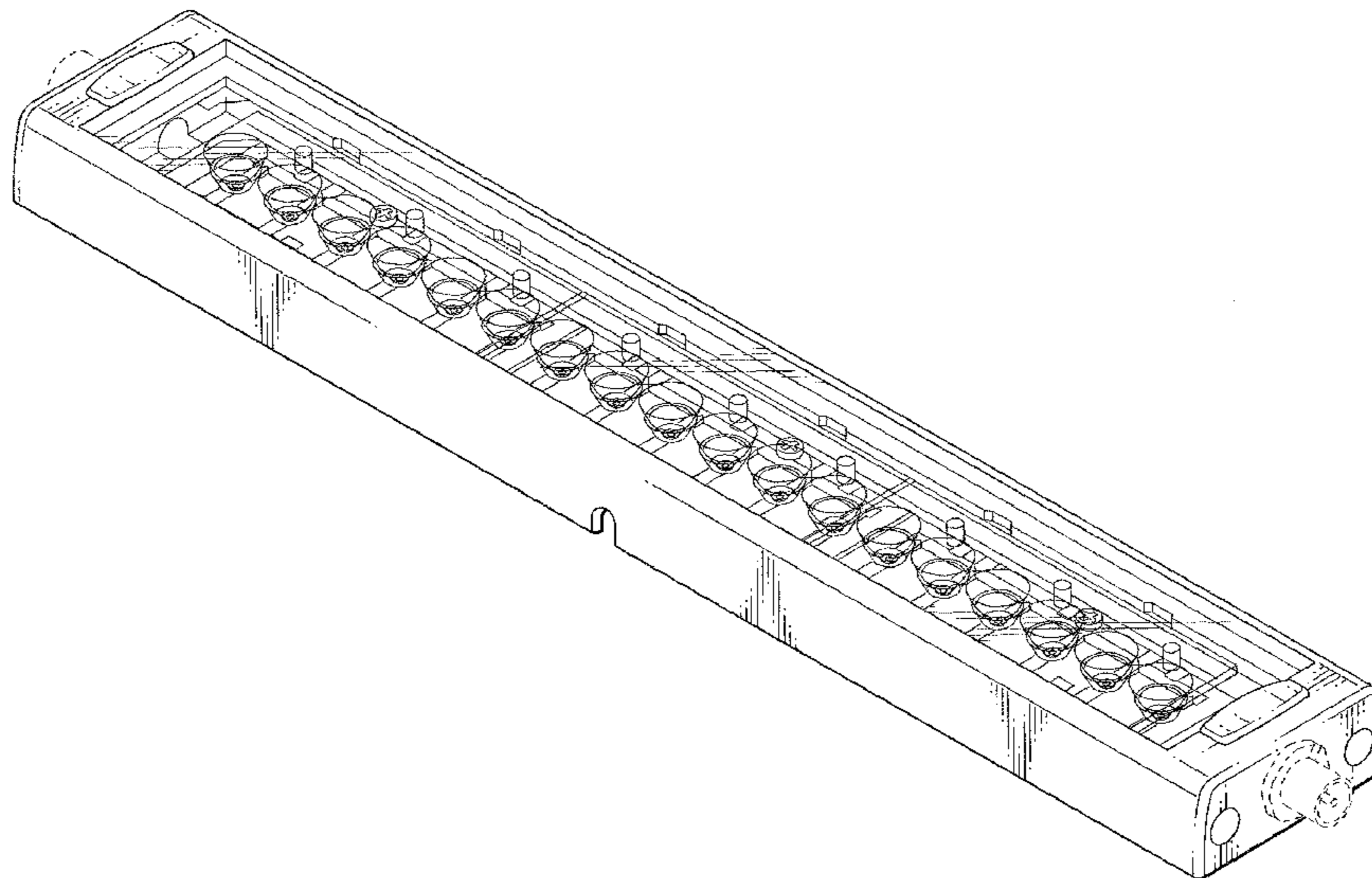
(57) **CLAIM**

The ornamental design for a lighting device, as shown and described.

**DESCRIPTION**

FIG. 1 is a perspective view of a lighting device taken from the front, right side and top thereof, showing our new design; FIG. 2 is a front elevational view thereof; FIG. 3 is a rear elevational view thereof; FIG. 4 is a left side elevational view thereof; FIG. 5 is a right side elevational view thereof; FIG. 6 is a top plan view thereof; and, FIG. 7 is a bottom plan view thereof. The broken lines illustrating portions of the lighting device are included to show environmental structures and form no part of the claimed design.

**1 Claim, 3 Drawing Sheets**



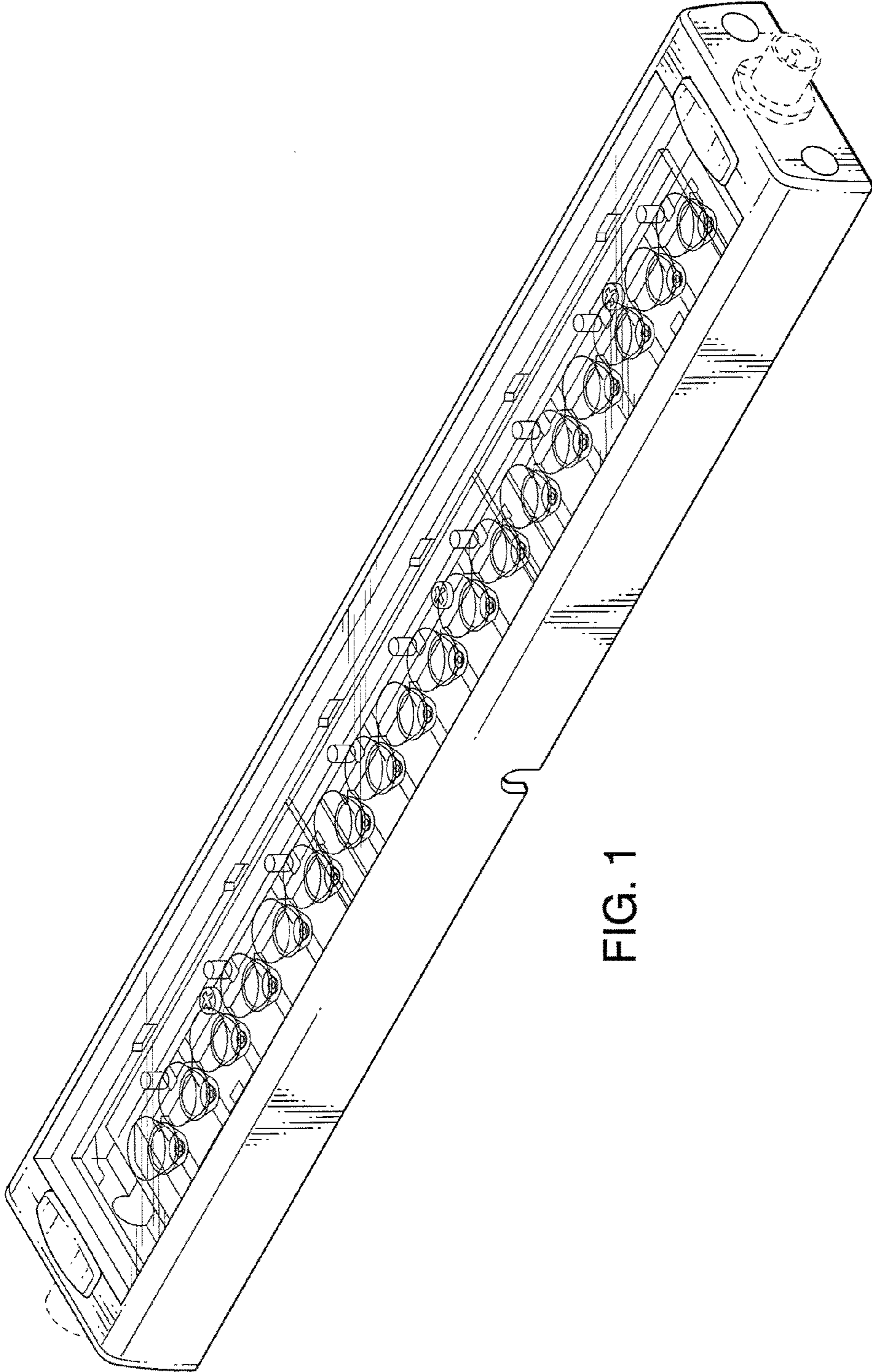


FIG. 1



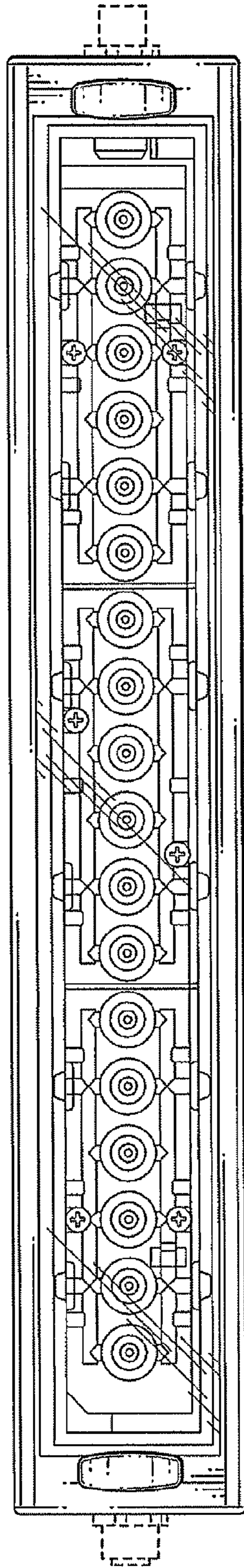


FIG. 2

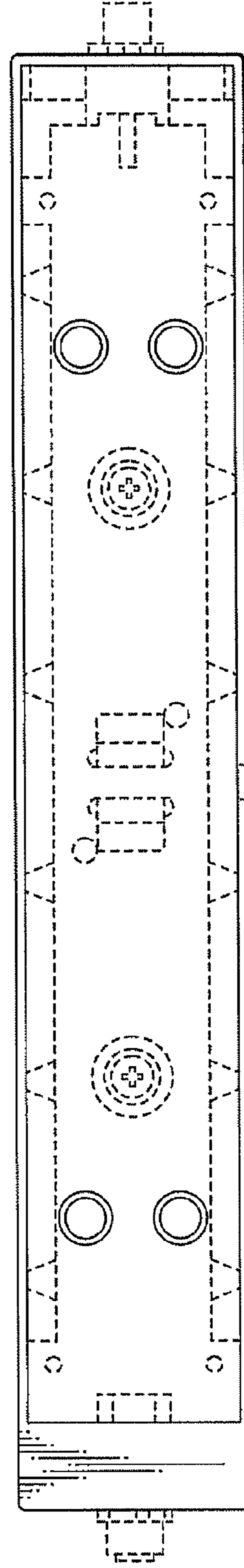


FIG. 3

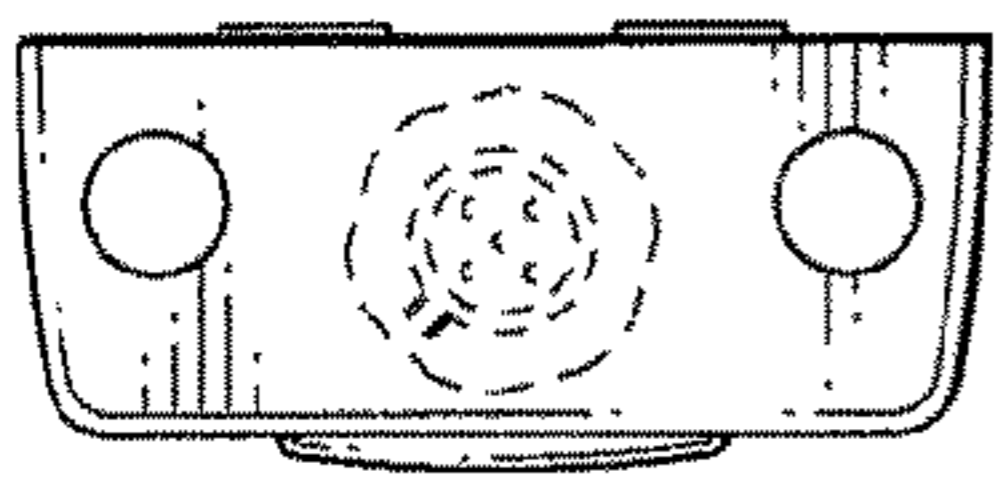


FIG. 5

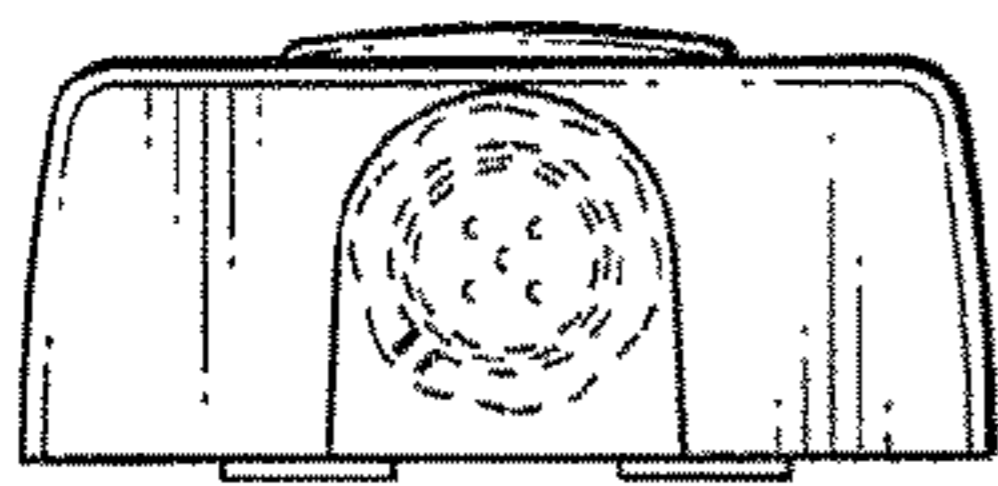


FIG. 4

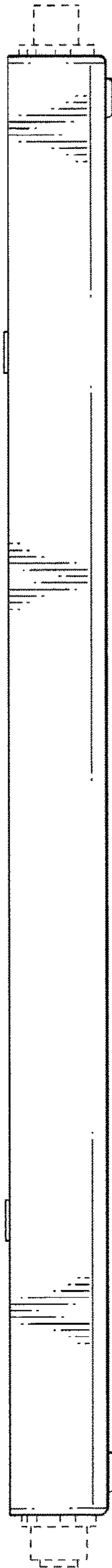


FIG. 6

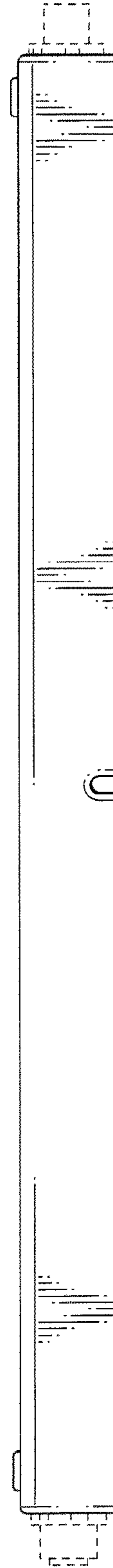


FIG. 7