



US00D681260S

(12) **United States Design Patent**  
**Kitts**

(10) **Patent No.:** **US D681,260 S**  
(45) **Date of Patent:** **\*\* Apr. 30, 2013**

- (54) **LAMP**
- (75) Inventor: **David Kitts**, Rutland, VT (US)
- (73) Assignee: **Hubbardton Forge, LLC**, Castleton, VT (US)
- (\*\*) Term: **14 Years**
- (21) Appl. No.: **29/398,190**
- (22) Filed: **Jul. 27, 2011**
- (51) **LOC (9) Cl.** ..... **26-99**
- (52) **U.S. Cl.**  
USPC ..... **D26/120**
- (58) **Field of Classification Search** ..... D26/142,  
D26/118, 119, 113, 128, 129, 140, 141, 136,  
D26/135, 145, 155, 154, 130, 63, 62, 64,  
D26/65, 66, 67, 68, 69, 1, 2, 3, 88, 89, 24,  
D26/25, 26, 72, 74, 75, 76, 78, 77, 82, 84,  
D26/85, 93, 123, 124, 125; D13/179, 180;  
362/393, 145, 396, 194, 195, 196, 362, 326,  
362/149, 147, 146, 148, 234, 249.01–249.12,  
362/294, 295, 373  
See application file for complete search history.

D575,892 S *	8/2008	Chandler	.....	D26/84
D589,640 S *	3/2009	Janssen	.....	D26/90
D592,794 S *	5/2009	Chandler	.....	D26/88
D595,447 S *	6/2009	Purcell	.....	D26/85
D606,231 S *	12/2009	Sabernig	.....	D26/85
D608,935 S *	1/2010	Pedersen	.....	D26/85
D620,166 S *	7/2010	Sabernig	.....	D26/63
D620,180 S *	7/2010	Sabernig	.....	D26/84
D622,892 S *	8/2010	Nicholas	.....	D26/88
D644,371 S *	8/2011	Orozco	.....	D26/86
D669,209 S *	10/2012	Choi et al.	.....	D26/90

\* cited by examiner

*Primary Examiner* — Kevin Rudzinski

(74) *Attorney, Agent, or Firm* — Bourque and Associates, PA

(57) **CLAIM**

The ornamental design for a lamp, as shown and described.

**DESCRIPTION**

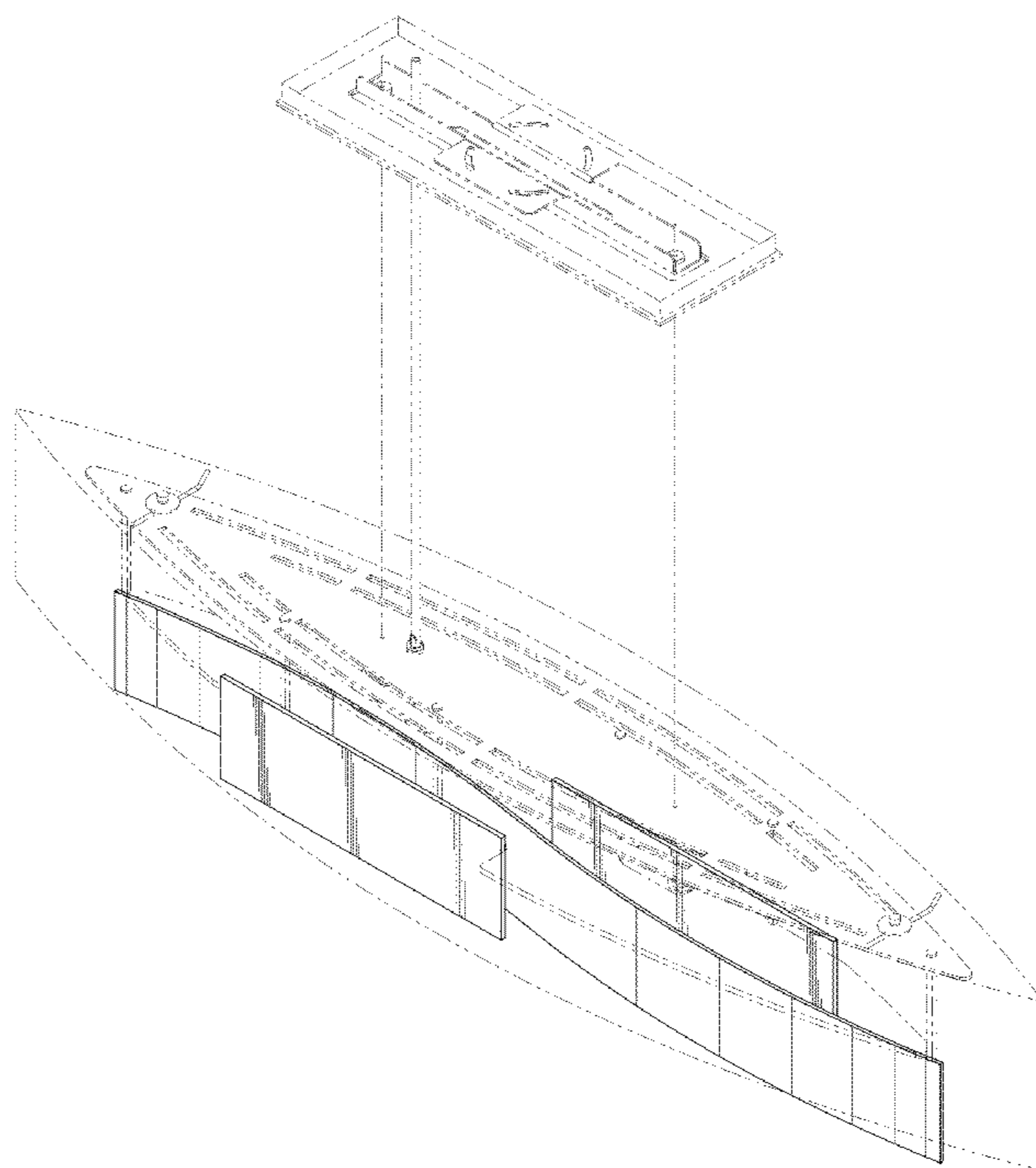
FIG. 1 is a perspective view of the lamp according to the present invention;  
 FIG. 2 is a front view of the lamp thereof;  
 FIG. 3 is a back view of the lamp thereof;  
 FIG. 4 is a left view of the lamp thereof;  
 FIG. 5 is a right view of the lamp thereof;  
 FIG. 6 is a top view of the lamp thereof; and,  
 FIG. 7 is a bottom view of the lamp thereof.  
 The broken lines shown in the drawings illustrate portions of the lamp that form no part of the claimed design.

**1 Claim, 5 Drawing Sheets**

(56) **References Cited**

U.S. PATENT DOCUMENTS

D165,738 S *	1/1952	Brochstein	.....	D26/85
4,263,639 A *	4/1981	Schacht	.....	362/147
D448,106 S *	9/2001	Lin	.....	D26/87
D461,586 S *	8/2002	Luchi	.....	D26/125
D562,493 S *	2/2008	Chen	.....	D26/88



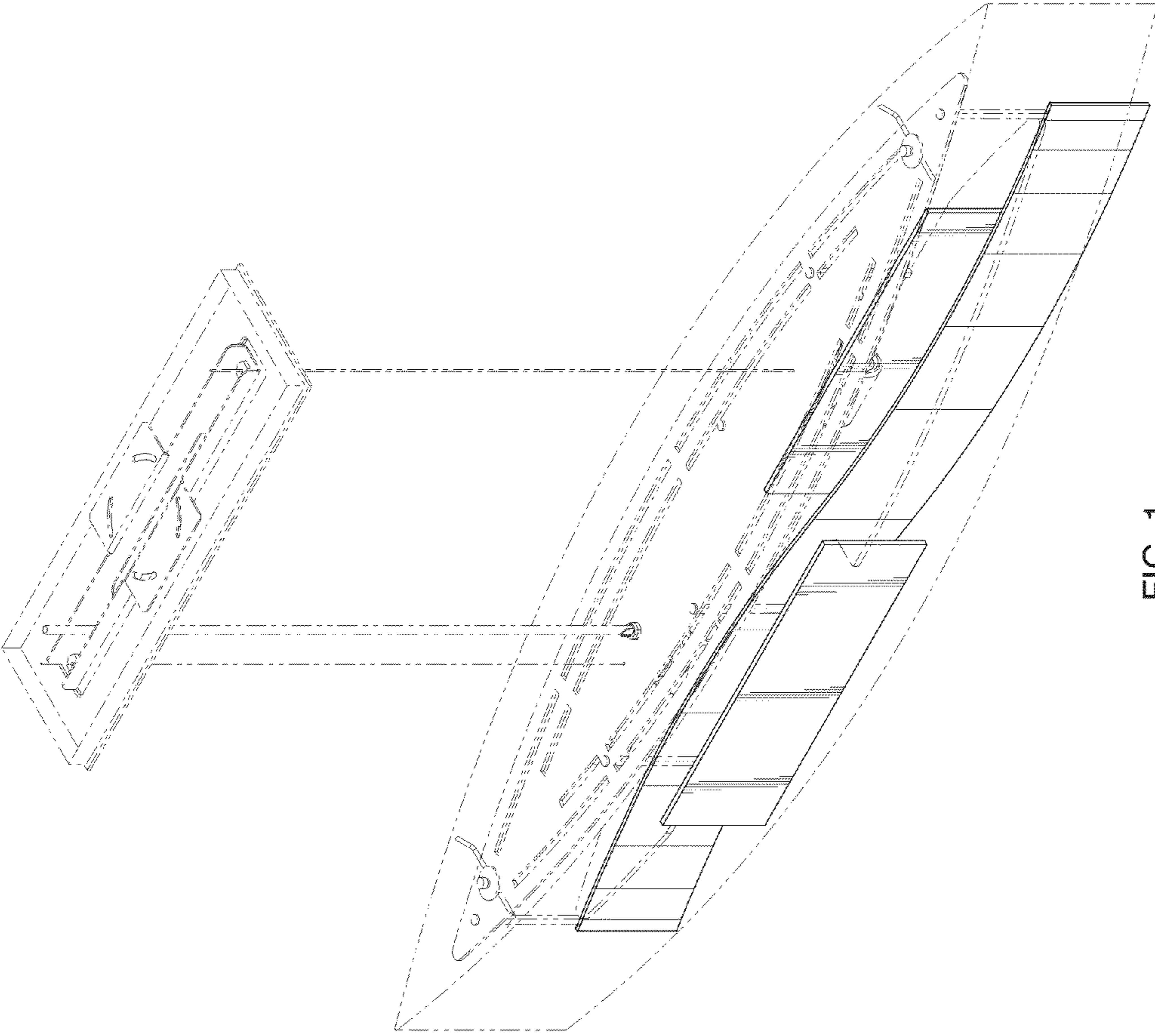


FIG. 1

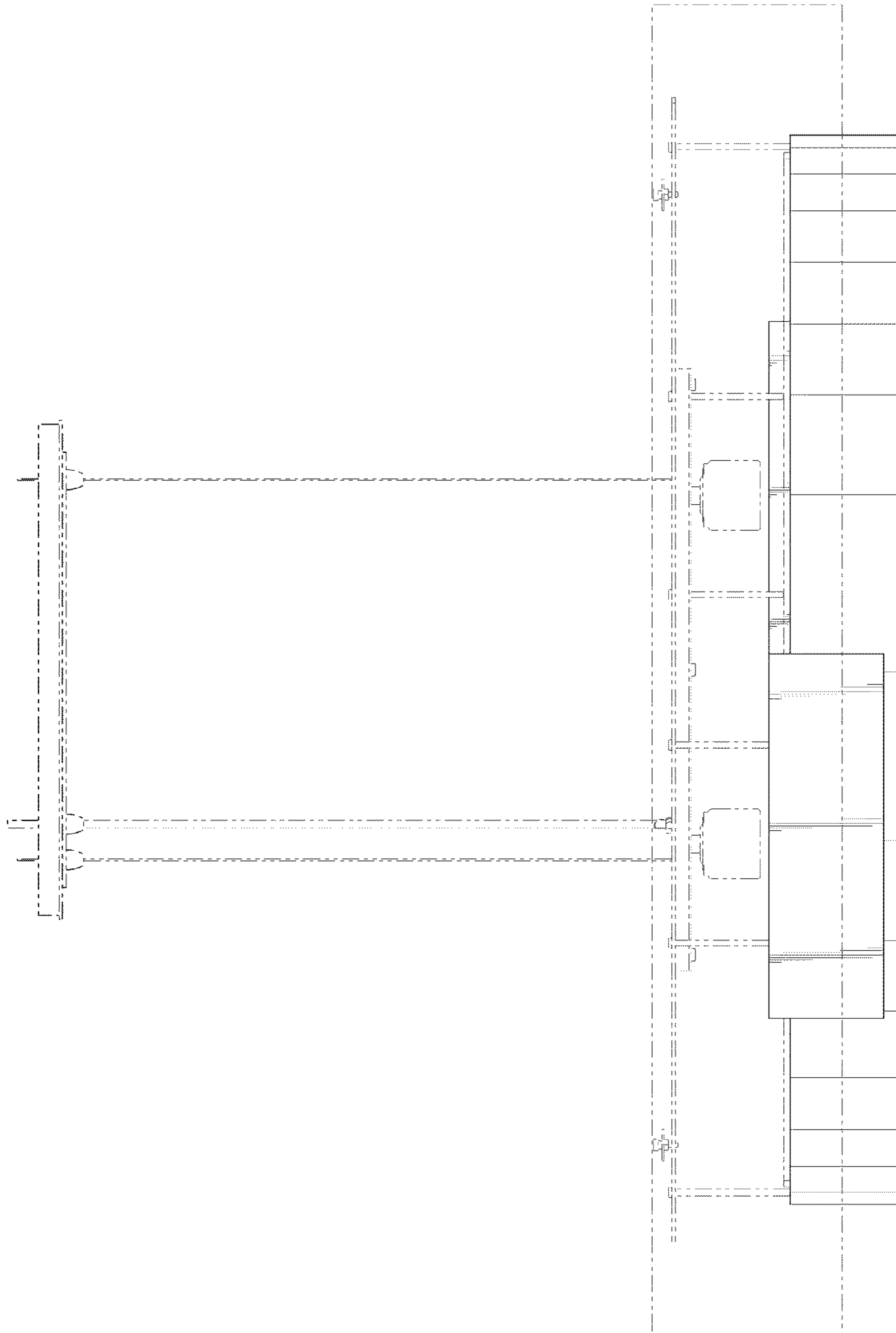


FIG. 2

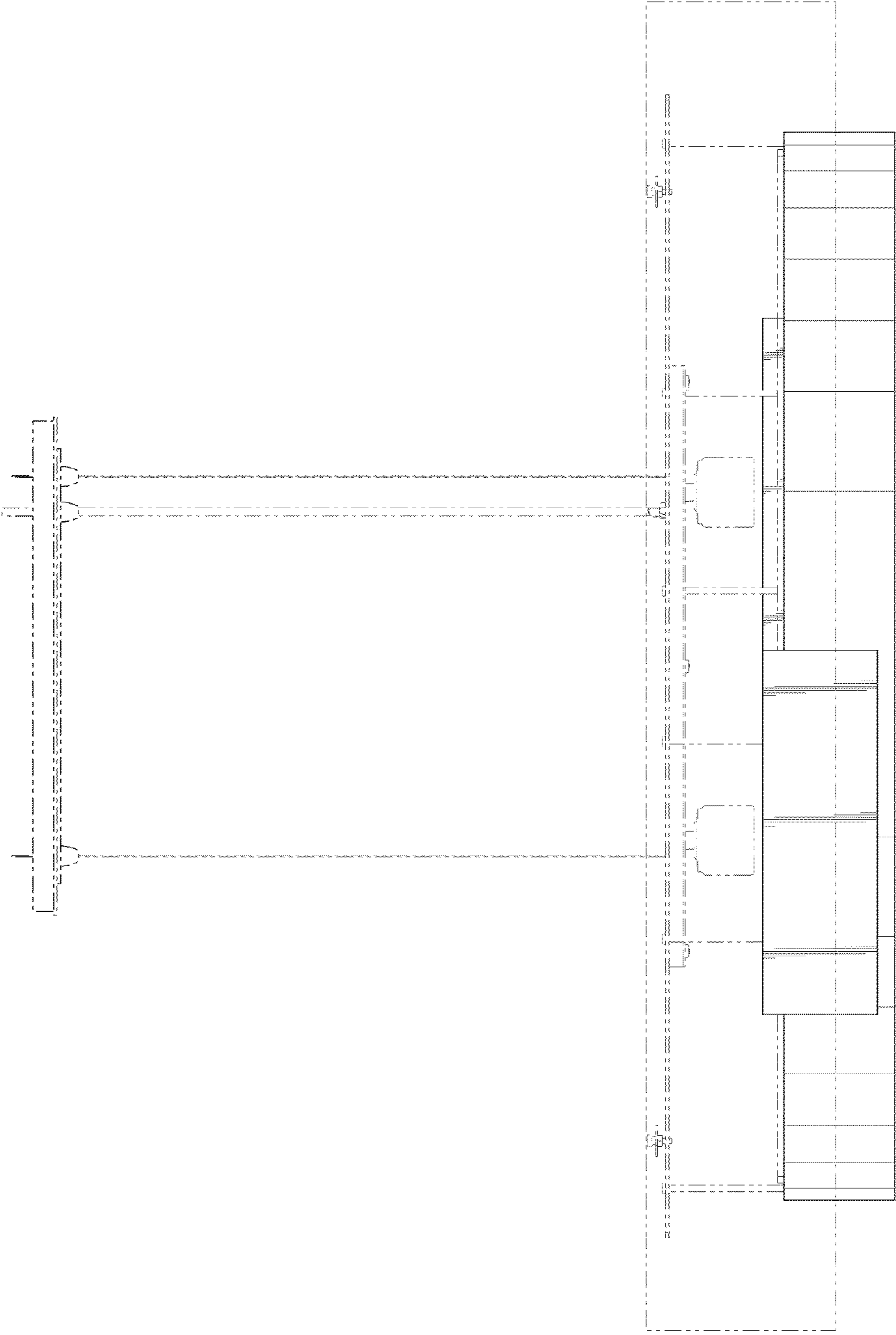


FIG. 3

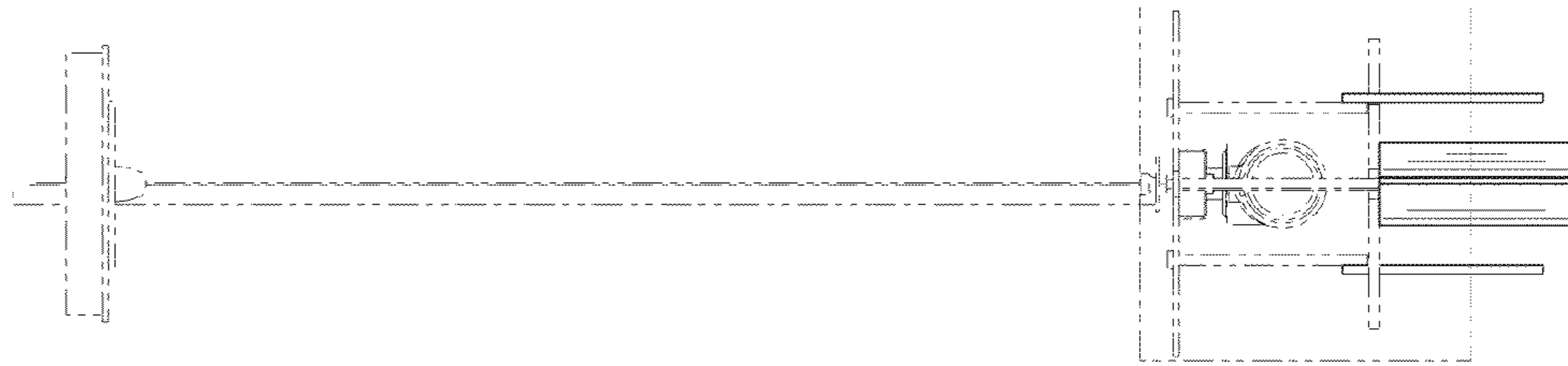


FIG. 5



FIG. 4

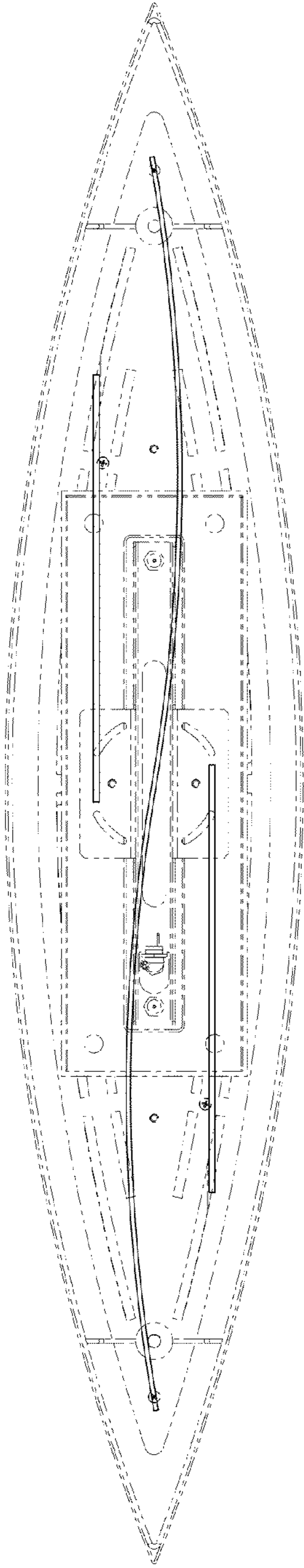


FIG. 6

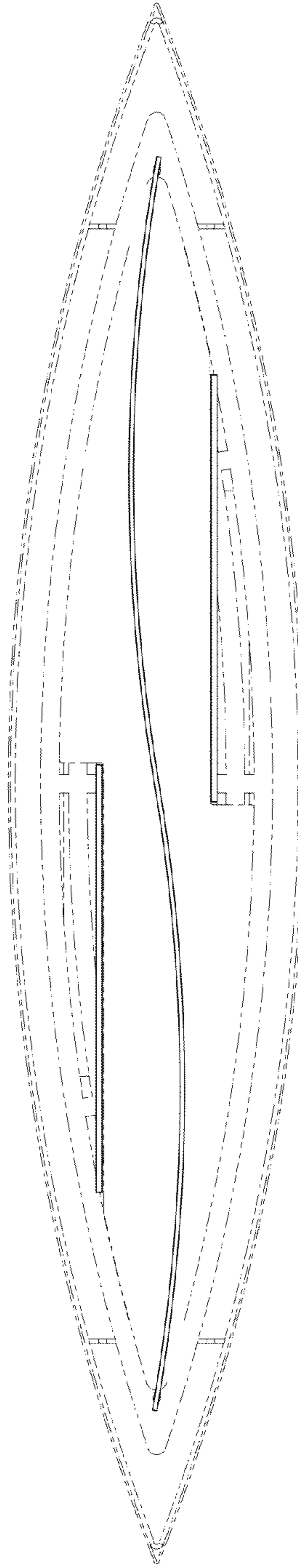


FIG. 7