



US00D681254S

(12) **United States Design Patent**
Blum et al.

(10) **Patent No.:** **US D681,254 S**

(45) **Date of Patent:** **** Apr. 30, 2013**

(54) **OLED LUMINAIRE**

(75) Inventors: **Darren Blum**, San Mateo, CA (US);
Jeannine M. Fisher, Oakland, CA (US)

(73) Assignee: **ABL IP Holding, LLC**, Conyers, GA
(US)

(**) Term: **14 Years**

(21) Appl. No.: **29/412,838**

(22) Filed: **Feb. 8, 2012**

(51) **LOC (9) Cl.** **26-05**

(52) **U.S. Cl.**
USPC **D26/83**

(58) **Field of Classification Search** D26/67,
D26/80, 83, 85, 86, 87, 118, 120, 122, 143;
362/147, 362, 431, 432, 367, 404-408
See application file for complete search history.

(56) **References Cited**

U.S. PATENT DOCUMENTS

D56,715 S *	11/1920	Thompson	D10/121
D167,451 S *	8/1952	Franck	D26/122
D173,157 S *	10/1954	Hurley	D26/122
D246,203 S *	10/1977	Harris	D26/80
D271,811 S *	12/1983	Luthe et al.	D26/122
D365,409 S *	12/1995	Lu	D26/77
D464,160 S *	10/2002	Ludwig	D26/76
D544,131 S *	6/2007	Blackman	D26/85
D565,778 S *	4/2008	Pedersen	D26/84
D566,877 S *	4/2008	Chandler	D26/85
D589,201 S *	3/2009	Sabernig	D26/85
D595,447 S *	6/2009	Purcell	D26/85

D622,435 S *	8/2010	Recore et al.	D26/85
D623,794 S *	9/2010	Ngai et al.	D26/88
D654,212 S *	2/2012	Blum et al.	D26/118
D655,439 S *	3/2012	Sabernig	D26/83

OTHER PUBLICATIONS

Multi-paneled planar light fixture in top photograph; and “wild looking desk lamp” in middle photograph on page from article titled “OLED—The Flexible, Power-Efficient Future of Lighting—Ecofriend”. Found at ecofriend.org visited Oct. 8, 2009.*

* cited by examiner

Primary Examiner — Clare E Heflin

(74) *Attorney, Agent, or Firm* — Beeson Skinner Beverly, LLP

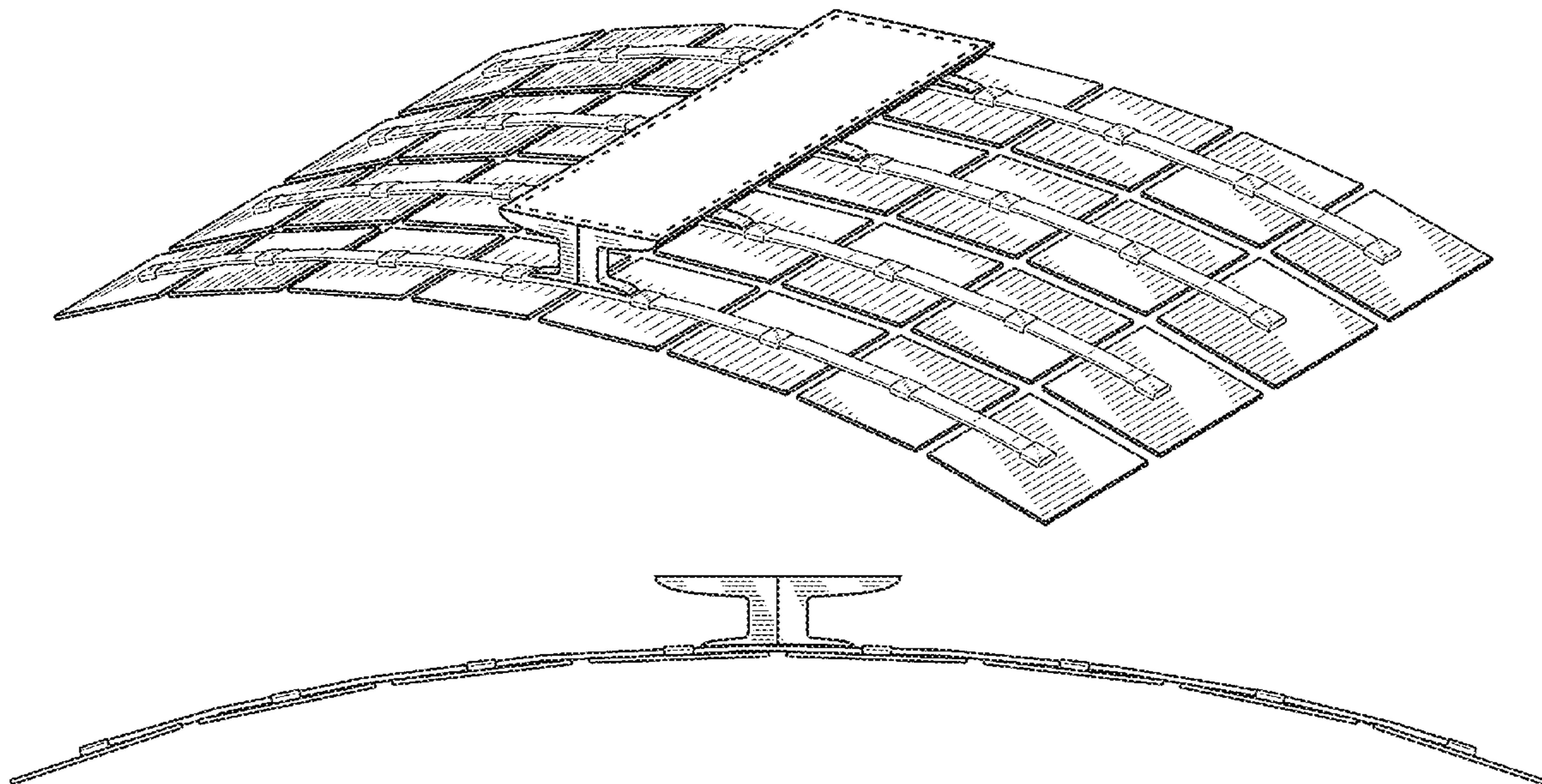
(57) **CLAIM**

The ornamental design for an OLED luminaire, as shown and described.

DESCRIPTION

FIG. 1 is a bottom perspective view of an OLED luminaire showing our new design;
FIG. 2 is a top perspective view thereof;
FIG. 3 is a left edge elevational view, the right edge being a mirror image thereof;
FIG. 4 is a left side elevational view thereof, the right side being a mirror image;
FIG. 5 is a bottom plan view thereof; and,
FIG. 6 is a top plan view thereof.
The broken line rectangle shown in FIG. 6 indicates the boundaries of the claimed design. The area inside the broken line rectangle forms no part of the claimed design.

1 Claim, 4 Drawing Sheets



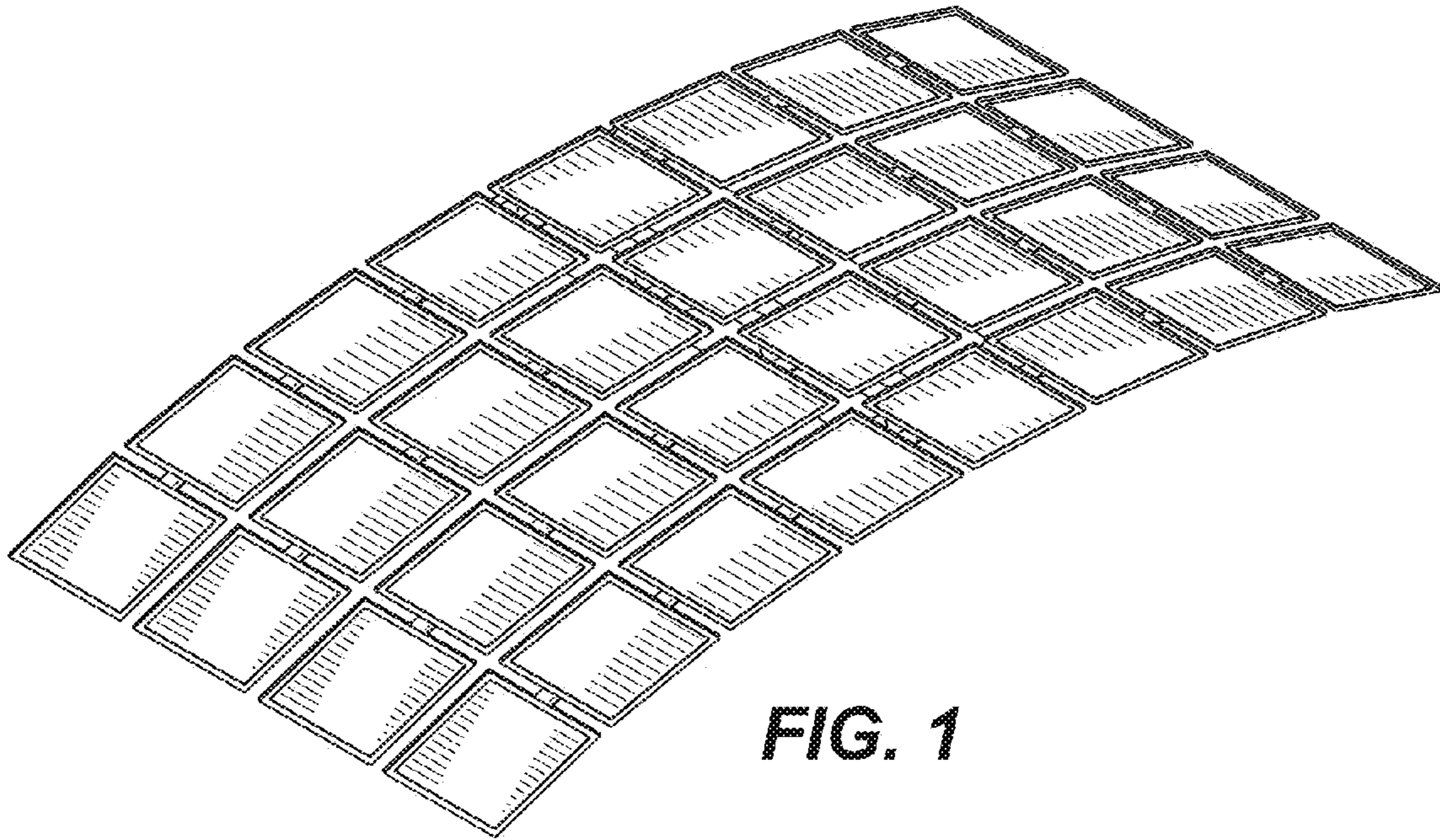


FIG. 1

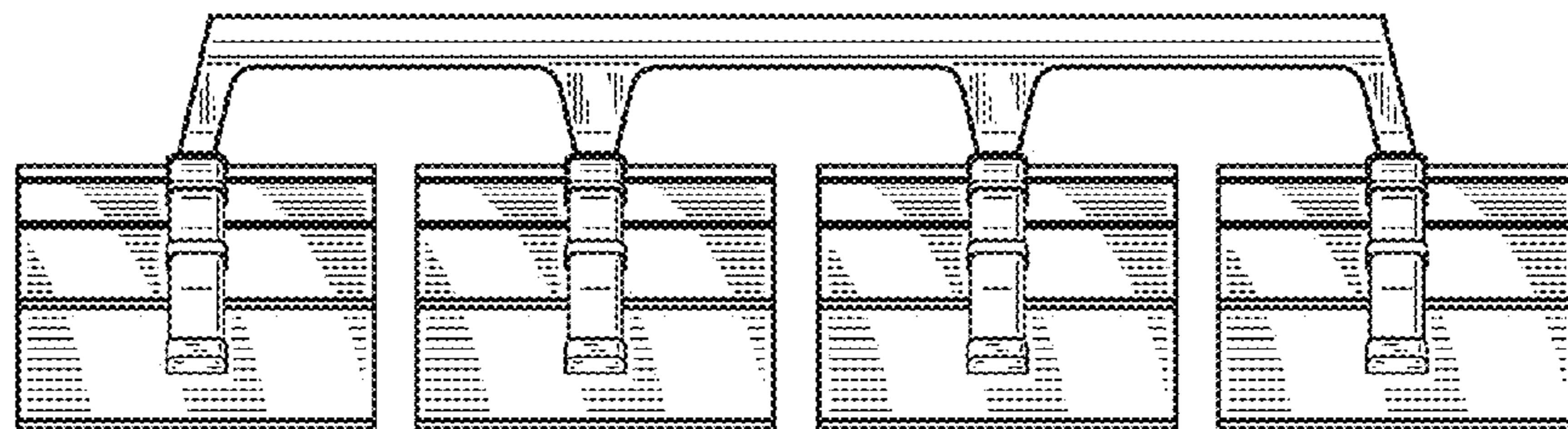


FIG. 3

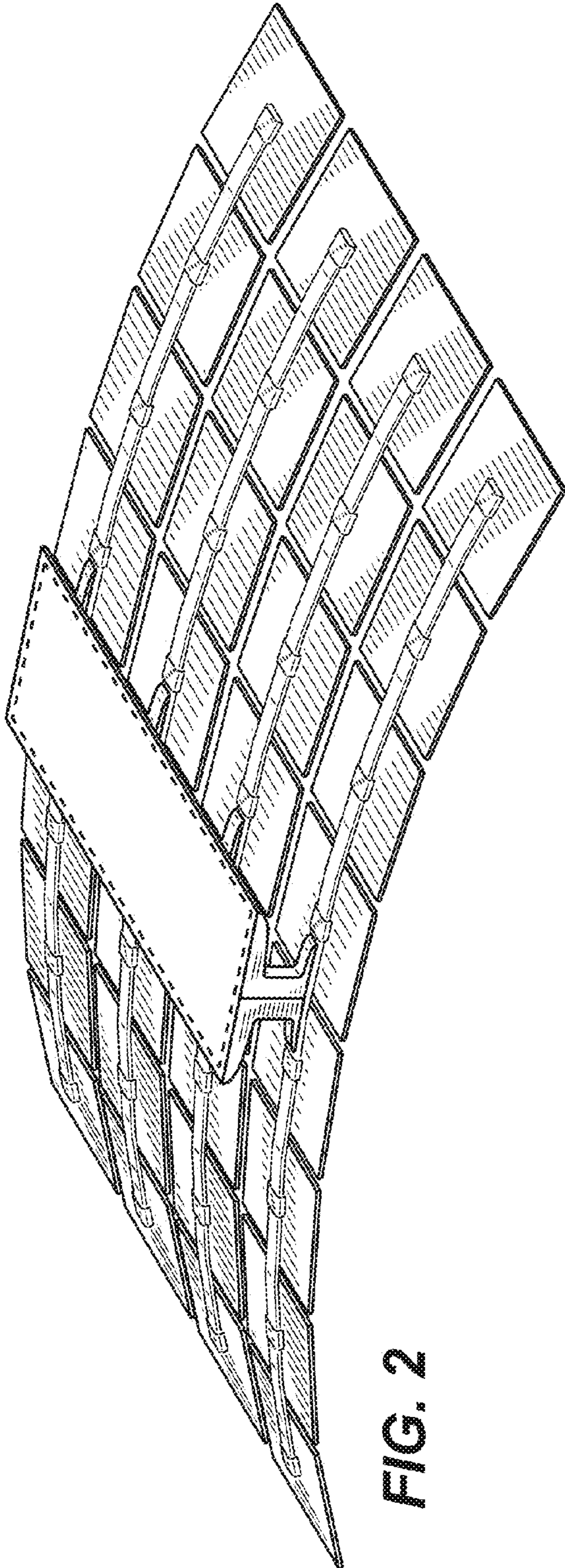


FIG. 2

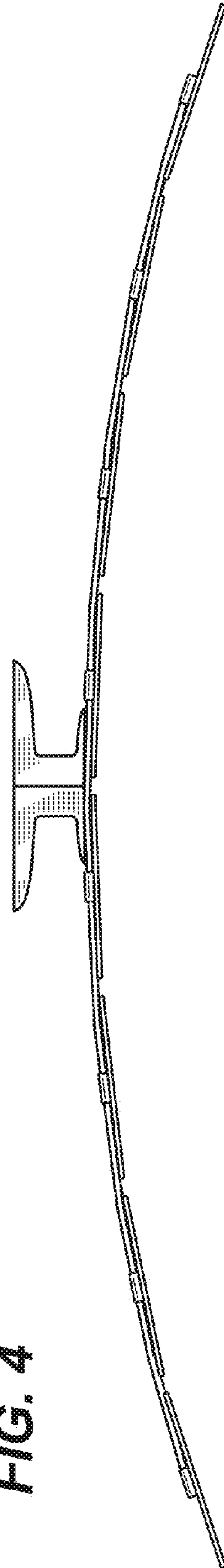


FIG. 4

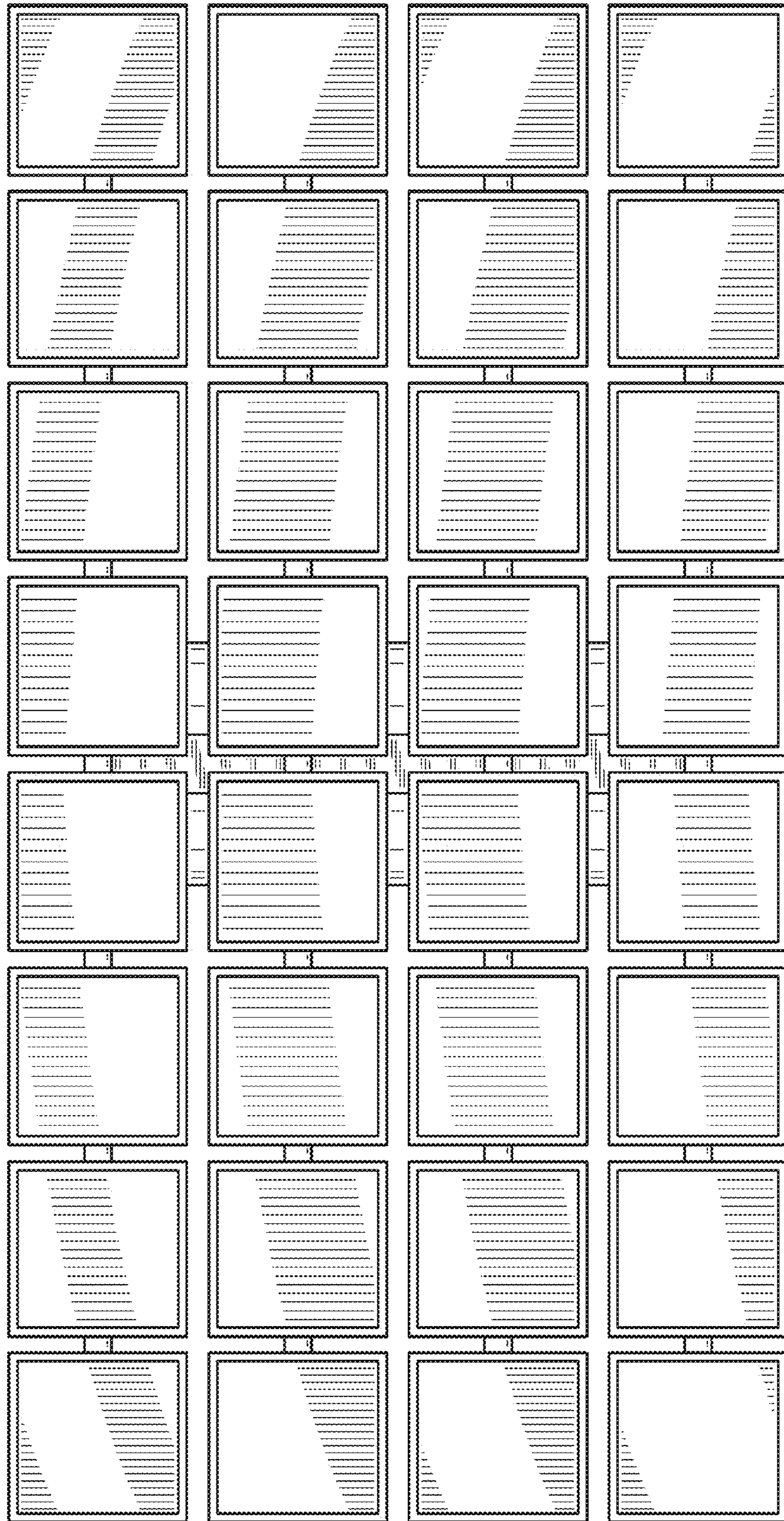


FIG. 5

FIG. 6

