



US00D681251S

(12) **United States Design Patent**
Romeu et al.

(10) **Patent No.:** **US D681,251 S**

(45) **Date of Patent:** **** Apr. 30, 2013**

(54) **ROADWAY LIGHT**

(75) Inventors: **Ricardo Romeu**, Melbourne, FL (US);
Raymond Reynolds, Satellite Beach, FL (US)

(73) Assignee: **Lighting Science Group Corporation**,
Satellite Beach, FL (US)

(**) Term: **14 Years**

(21) Appl. No.: **29/411,907**

(22) Filed: **Jan. 27, 2012**

(51) **LOC (9) Cl.** **26-05**

(52) **U.S. Cl.**
USPC **D26/71**

(58) **Field of Classification Search** D26/63,
D26/67-71, 92; 362/249.01-249.06, 294,
362/373, 431

See application file for complete search history.

(56) **References Cited**

U.S. PATENT DOCUMENTS

D123,757 S	12/1940	Dreyfuss	
D171,952 S	4/1954	Pettengill	
D174,975 S	6/1955	Agnew et al.	
2,750,142 A	6/1956	McKee	
D180,535 S	6/1957	Stevens	
2,916,609 A	12/1959	Barchmann et al.	
D193,632 S	9/1962	Patience, Jr.	
D195,583 S	7/1963	Phillips	
D198,812 S	8/1964	Pettengill	
D199,366 S *	10/1964	Izzi	D26/71

(Continued)

FOREIGN PATENT DOCUMENTS

EP	1431653 A2	8/2003
WO	2006118457 A1	11/2006
WO	2009013317 A1	1/2009

OTHER PUBLICATIONS

Z.Gibler, et al. filed May 4, 2009; U.S. Appl. No. 29/336,442; Confirmation No. 2580; First Office Action Notification Date Jul. 8, 2010 electronically delivered.

(Continued)

Primary Examiner — Clare E Heflin

(74) *Attorney, Agent, or Firm* — Cantor Colburn LLP

(57) **CLAIM**

We claim, the ornamental design for a roadway light, as shown and described.

DESCRIPTION

FIG. 1 is a front perspective view of a roadway light showing the new design;

FIG. 2 is a bottom perspective view thereof;

FIG. 3 is a side elevation view of the roadway light, the opposite side being a mirror image thereof;

FIG. 4 is a front elevation view thereof;

FIG. 5 is a rear elevation view thereof;

FIG. 6 is a top plan view thereof; and,

FIG. 7 is a bottom plan view thereof.

The broken lines shown on the drawings depict portions of the roadway light that form no part of the claimed design.

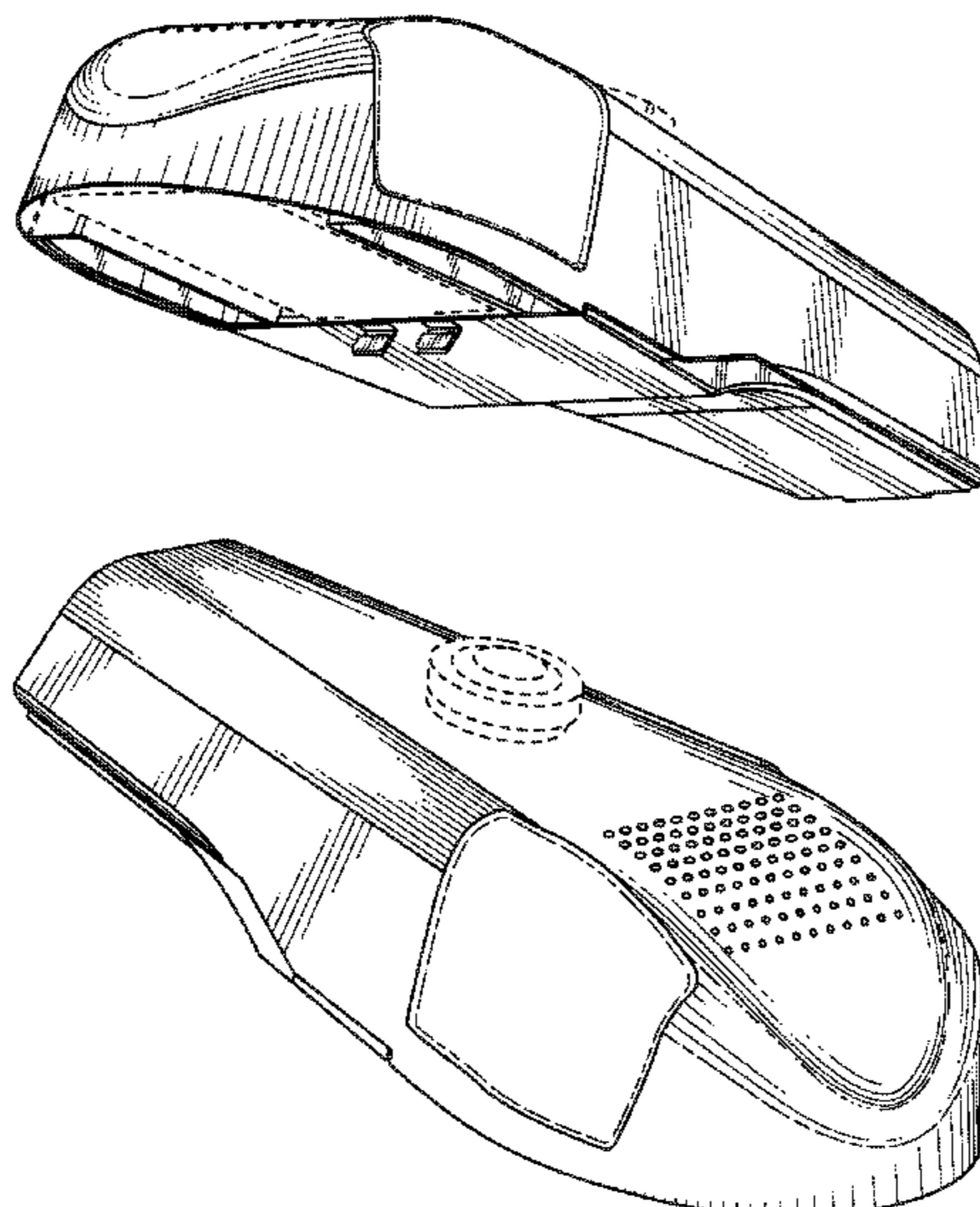
The lens of the claimed roadway light forms no part of the claimed design, the lens may have facets, lenslets or other treatments. The degree of transparency and/or opaqueness forms no part of the claimed design.

The surface treatment of the roadway light forms no part of the claimed design; a roadway light according to the claimed design may have any surface treatment.

The color of the roadway light forms no part of the claimed design; a roadway light according to the claimed design may be of any color or combination of colors.

References to “top”, “bottom”, “front”, “side” and “rear” in the figure descriptions are not meant to require certain in-use orientation, a luminaire according to the claimed design may be used in any orientation.

1 Claim, 6 Drawing Sheets



US D681,251 S

Page 2

U.S. PATENT DOCUMENTS

3,183,346	A	5/1965	Spaulding et al.	
D201,909	S *	8/1965	Harling	D26/71
D202,212	S	9/1965	Izzi	
D204,558	S	4/1966	Zeitz	
3,270,480	A	9/1966	Beeker	
D206,240	S *	11/1966	Rutter	D26/71
3,297,864	A	1/1967	Waldbauer	
D208,491	S	9/1967	Brooks	
D209,081	S	10/1967	Netland	
3,410,995	A	11/1968	Gray	
D219,343	S	12/1970	Rinaldi	
3,571,991	A	3/1971	Doocy et al.	
3,755,977	A	9/1973	Lewis	
D251,930	S	5/1979	Didone	
D278,461	S	4/1985	Pepall	
4,551,793	A	11/1985	Mellema	
D283,170	S *	3/1986	Newgard et al.	D26/71
D293,030	S	12/1987	Vladescu	
D346,237	S	4/1994	Schreder	
D347,080	S *	5/1994	Mehaffey et al.	D26/71
D348,531	S	7/1994	Mehaffey et al.	
D348,945	S *	7/1994	Mehaffey et al.	D26/71
D356,647	S	3/1995	Jung	
D362,315	S	9/1995	Herst et al.	
D387,880	S	12/1997	Carretto	
5,772,311	A	6/1998	Williams et al.	
D405,907	S	2/1999	Herst et al.	
D421,132	S	2/2000	Chipman et al.	
D427,704	S	7/2000	Bossy	
6,174,069	B1	1/2001	Plunk et al.	
D440,704	S	4/2001	Compton et al.	
D442,313	S	5/2001	Wojtkowiak et al.	
D468,046	S	12/2002	Bernard et al.	
6,685,154	B1	2/2004	Blyth et al.	
6,930,237	B2	8/2005	Mattiuzzo	
6,942,361	B1	9/2005	Kishimura et al.	
7,347,706	B1	3/2008	Wu et al.	
D569,540	S	5/2008	Bourgeois et al.	
D570,521	S	6/2008	Belleau	
D573,298	S	7/2008	Kinnune et al.	
7,420,811	B2 *	9/2008	Chan	361/709
D595,885	S	7/2009	Daidone et al.	
7,560,642	B2	7/2009	Ygnelzi et al.	
D598,597	S	8/2009	Lu et al.	
D598,598	S	8/2009	Zhou et al.	

D599,048	S	8/2009	Xiao et al.	
D605,328	S *	12/2009	Wang et al.	D26/71
D609,383	S *	2/2010	Chang	D26/71
D610,287	S	2/2010	Gill	
D611,648	S	3/2010	Coplin et al.	
D622,433	S *	8/2010	Waters	D26/71
D636,518	S *	4/2011	Nevins	D26/71
D647,237	S *	10/2011	Su	D26/71
D653,374	S *	1/2012	Ham	D26/71
D660,493	S *	5/2012	Janssen et al.	D26/71
D662,243	S *	6/2012	Sinai et al.	D26/71
2004/0196653	A1 *	10/2004	Clark et al.	362/183
2008/0298051	A1	12/2008	Chu	
2009/0040750	A1	2/2009	Myer	
2009/0310381	A1 *	12/2009	Chang et al.	362/373

OTHER PUBLICATIONS

“New York architect firm, LSG to build prototype LED streetlights”, LEDs Magazine, PennWell, Aug. 2008, <http://www.ledsmagazine.com/news/5/8/23>, accessed Apr. 20, 2010.

Tim Whitaker, “LED design wins New York City streetlight competition”, LEDs Magazine, PennWell, Dec. 2004, <http://www.ledsmagazine.com/features/1/12/2>, accessed Apr. 20, 2010.

Erica A. Taub, “Lighting the Big Apple with L.E.D.S.’s.”, New York Times, Aug. 20, 2008, <http://bits.blogs.nytimes.com/2008/08/20/lighting-the-big-apple-with-leds/?pagemode=print>, accessed Apr. 20, 2010.

Z. Gibler, et al “Light Fixture” co-pending patent application filed Feb. 20, 2009; U.S. Appl. No. 29/332,602.

Z. Gibler, et al. “Luminaire” co-pending patent application filed May 4, 2009; U.S. Appl. No. 29/336,442.

F.S. Maxik, et al. “Light Fixture” co-pending patent application filed Feb. 19, 2010; U.S. Appl. No. 29/356,097.

F.S. Maxik, et al. “Pole For a Street Light Luminaire” co-pending patent application filed Feb. 19, 2010; U.S. Appl. No. 29/356,102.

J.M. Sundin, et al. “Elegant Solution; New Street Light for New York City/USA” Professional Lighting Design Magazine for Professional Lighting Design (11/12 - 2004); pp. 44-47 No. 40.

Jerry James Stone, “New York City To Get LED Street Lighting”, Red Green and Blue, Dec. 20, 2008, <http://redgreenandblue.org/2008/12/20/new-york-city-to-get-led-street-lighting/>, accessed Apr. 20, 2008.

* cited by examiner

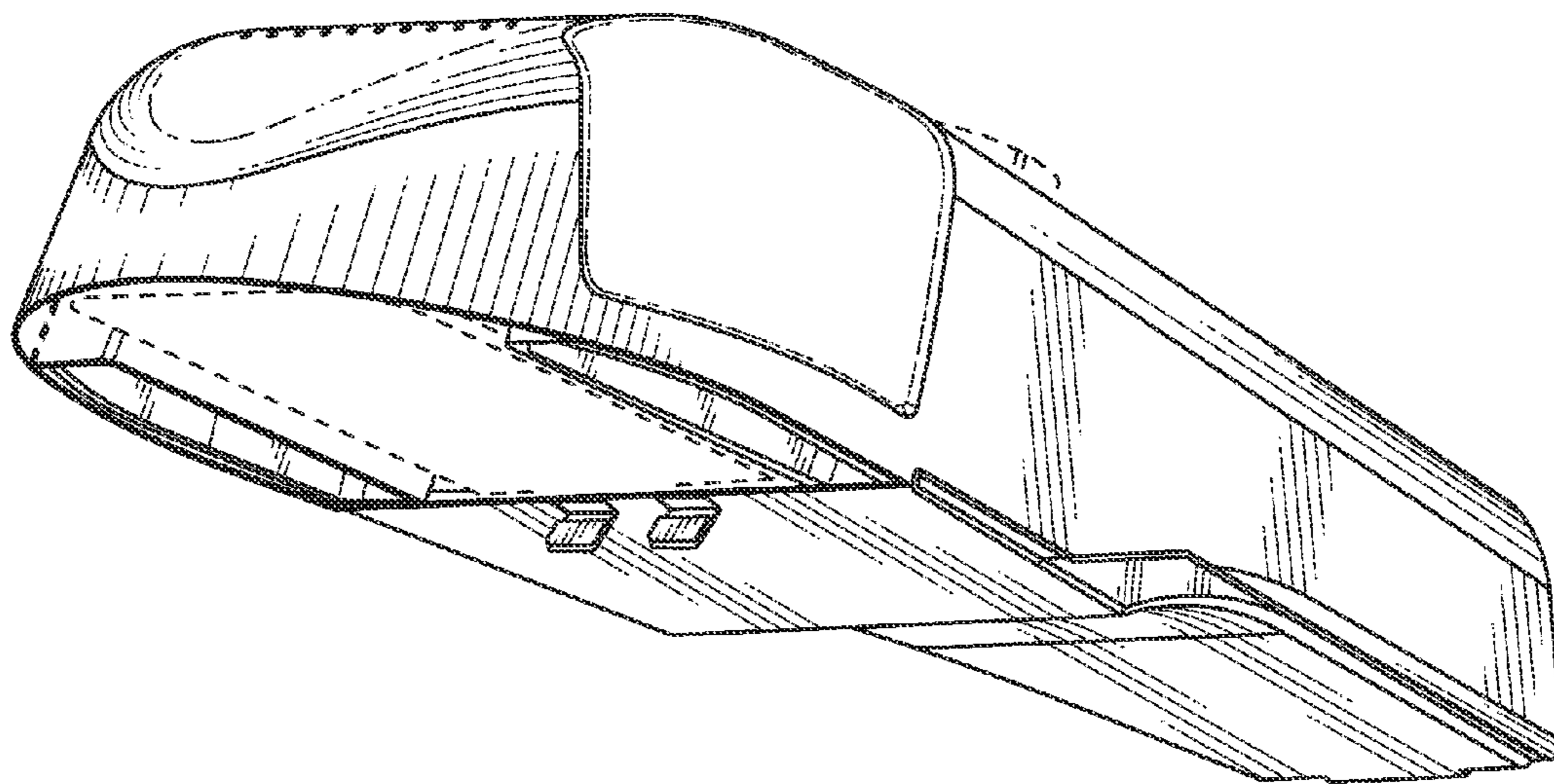


FIG. 1

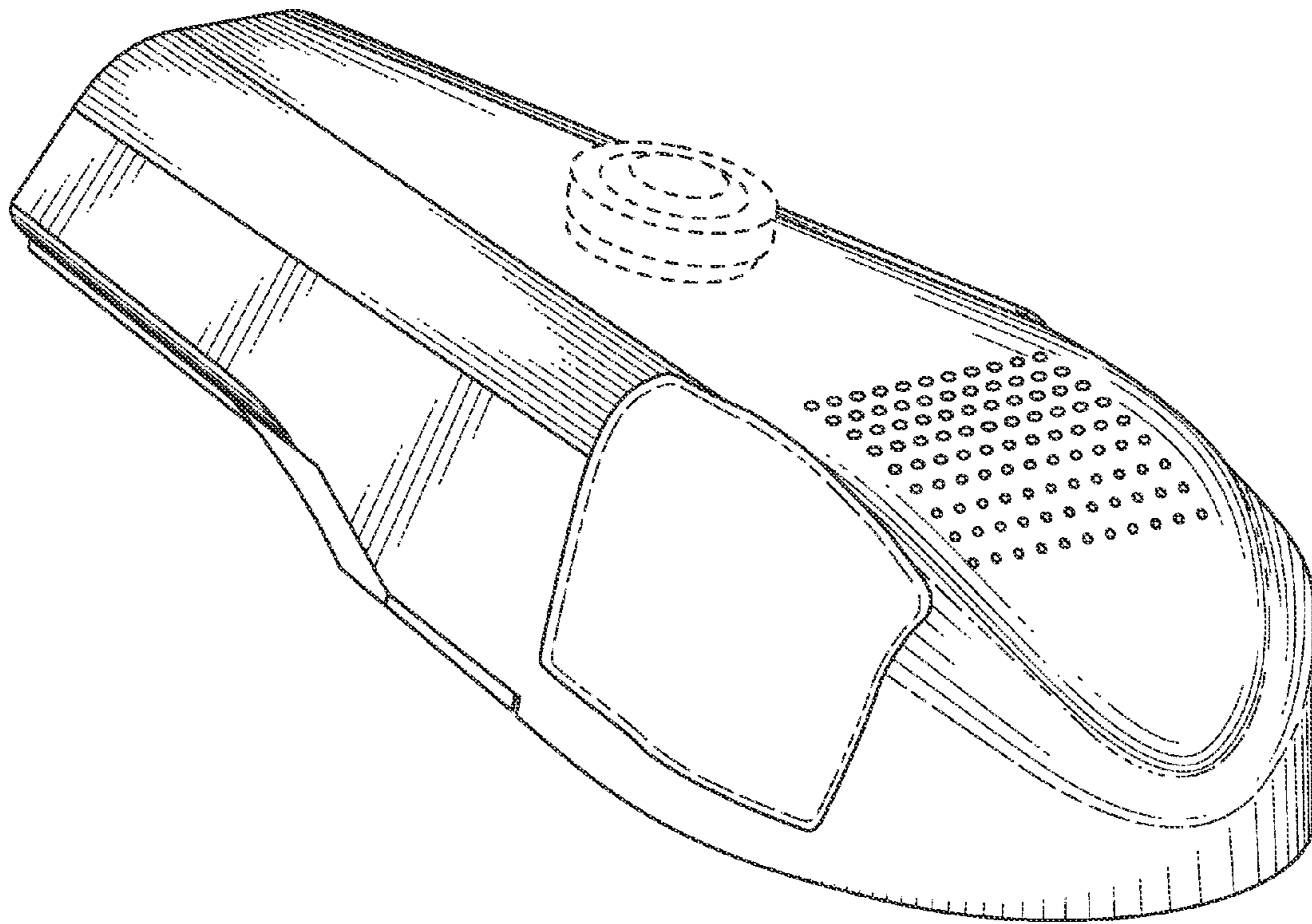


FIG. 2

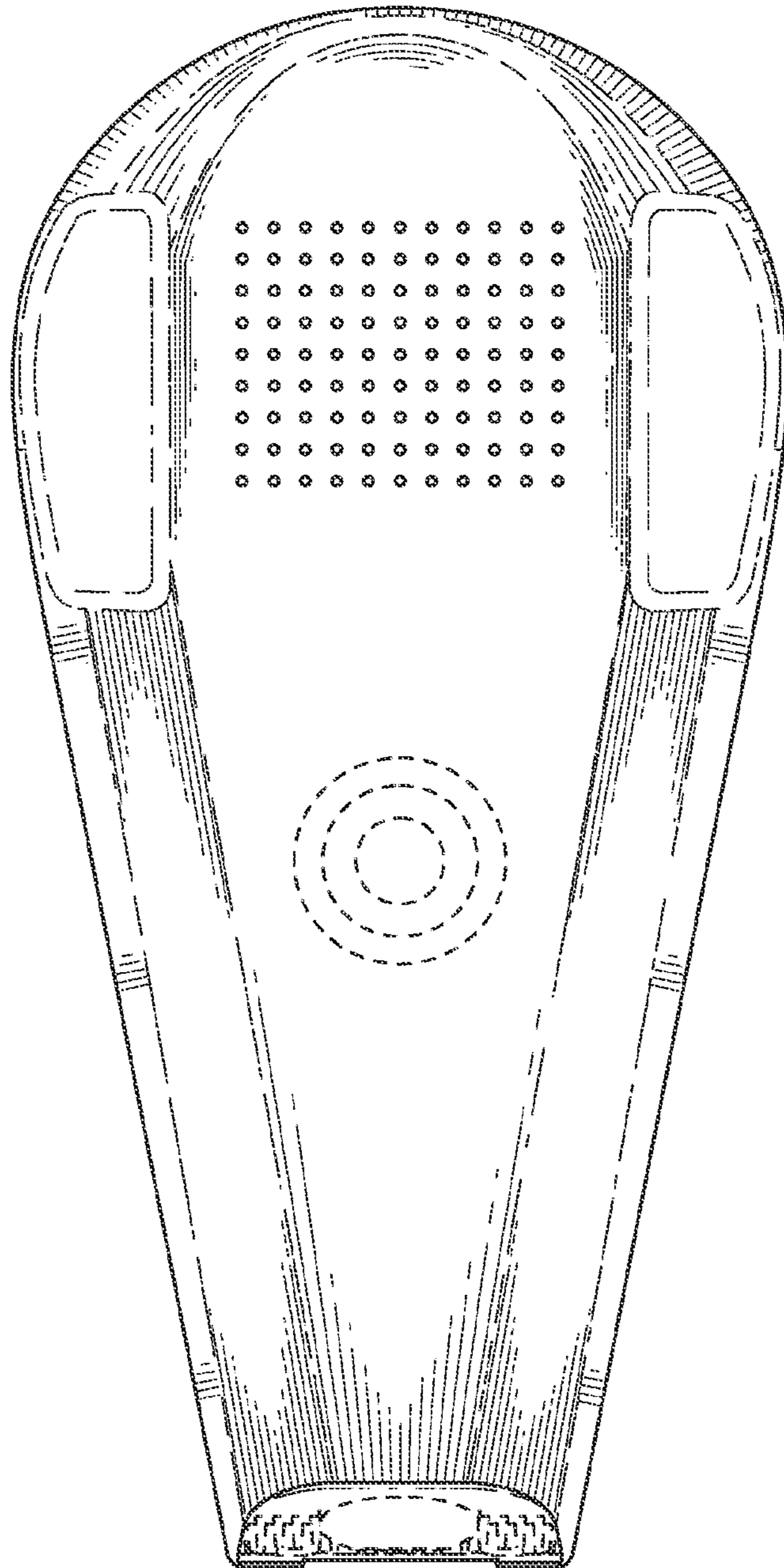


FIG. 3

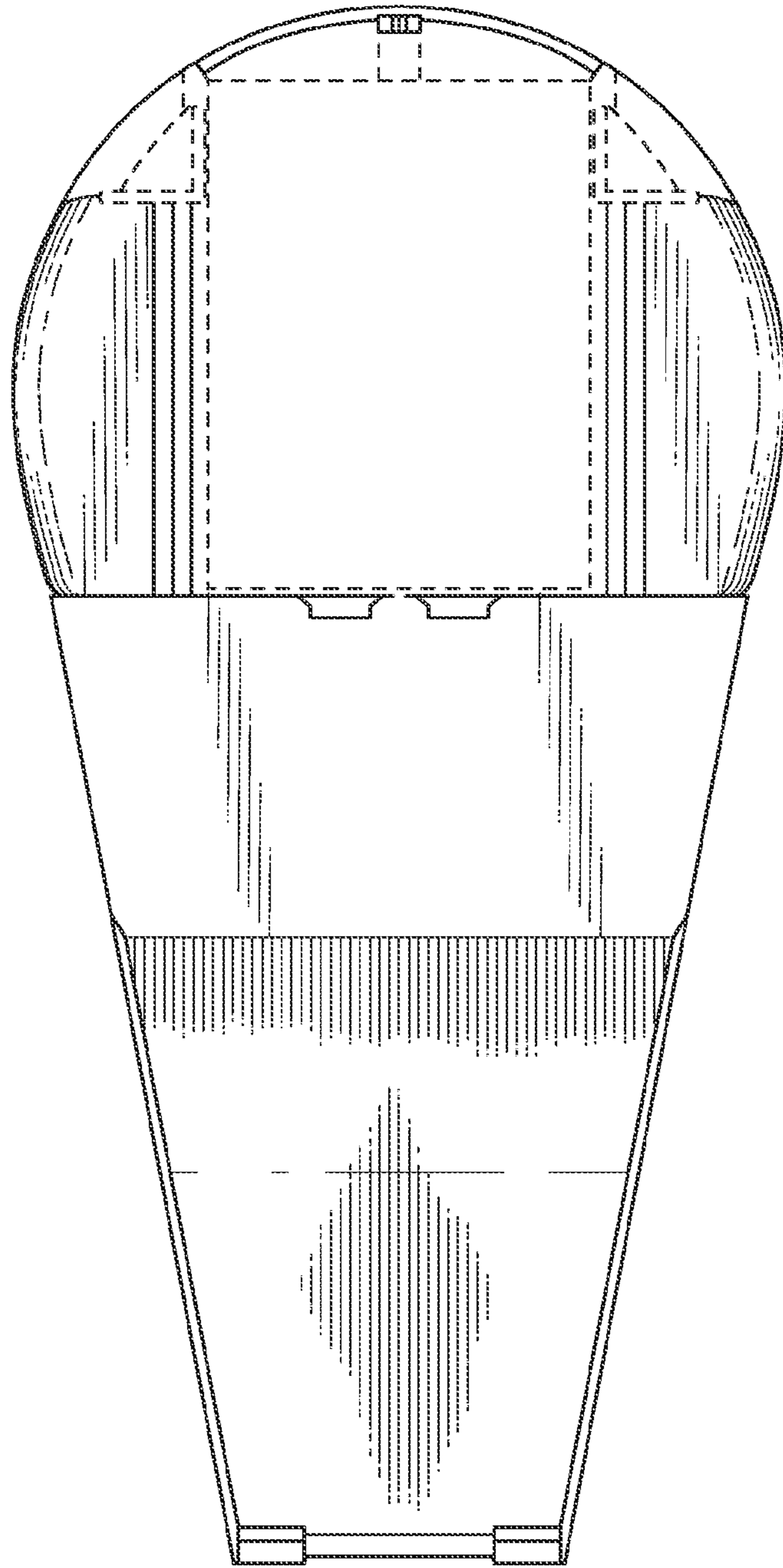


FIG. 4

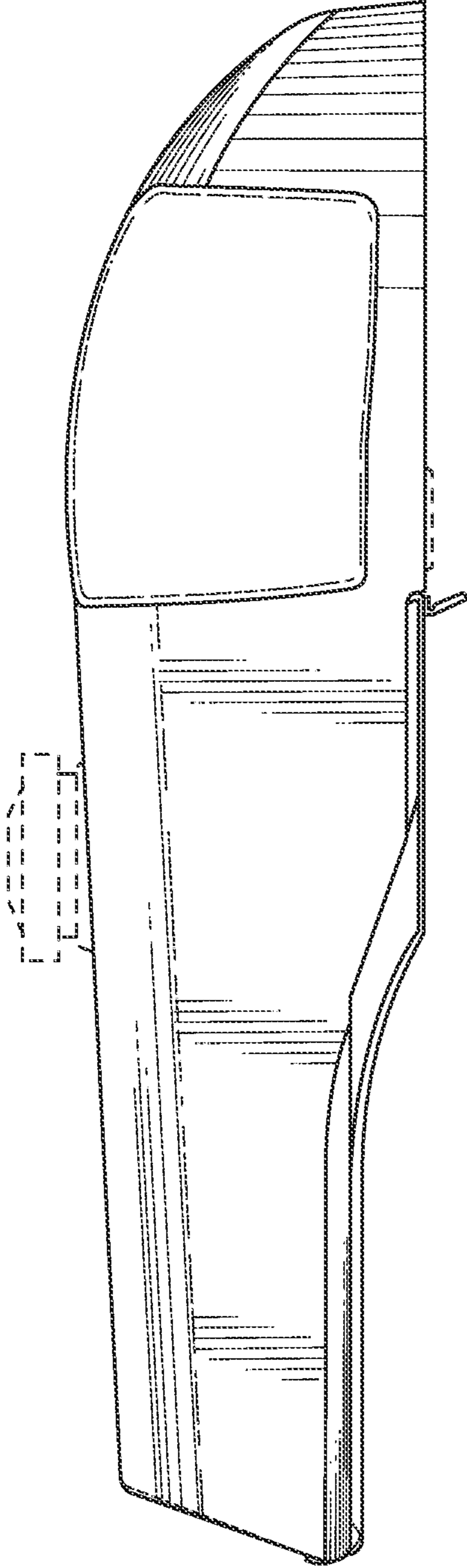


FIG. 5

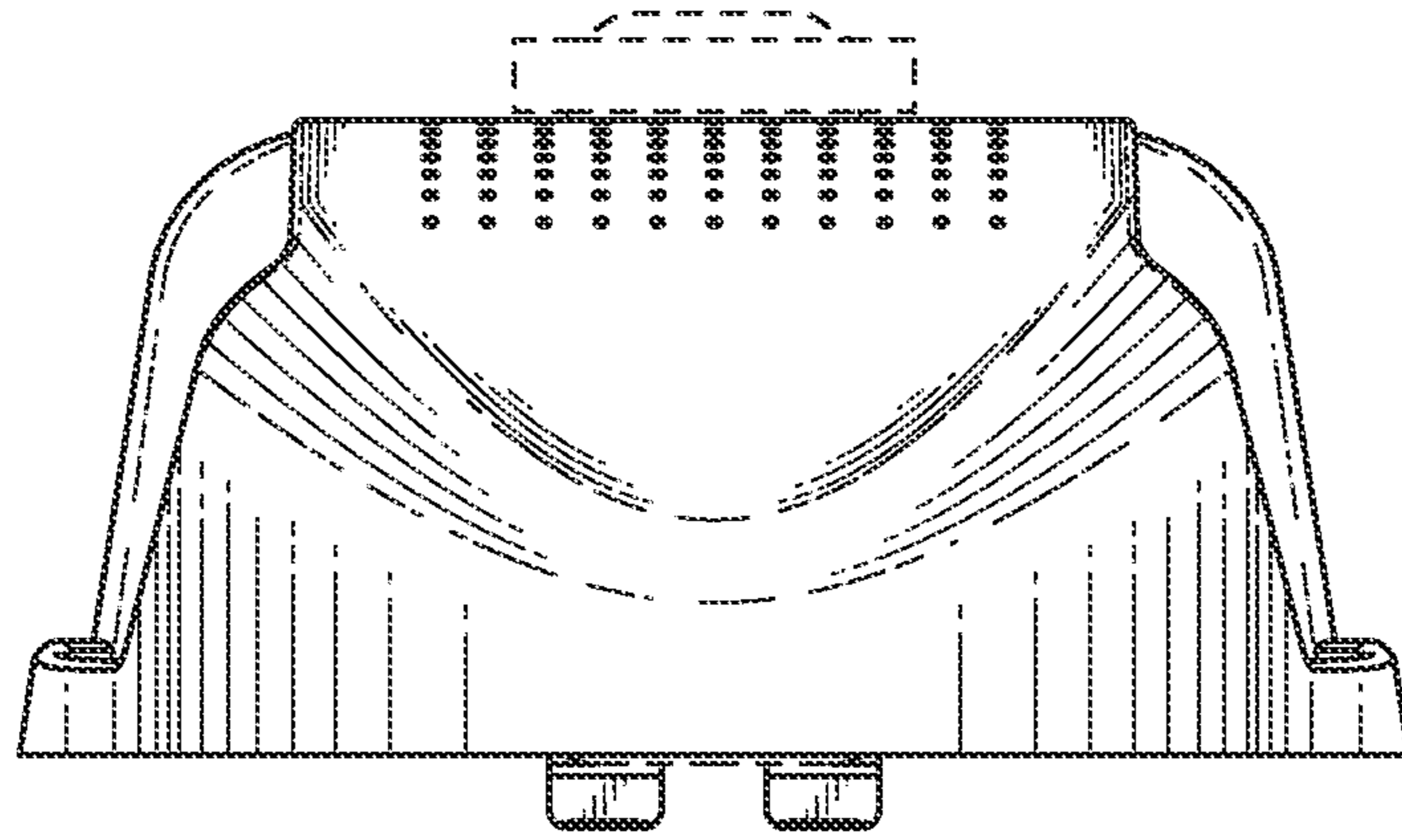


FIG. 6

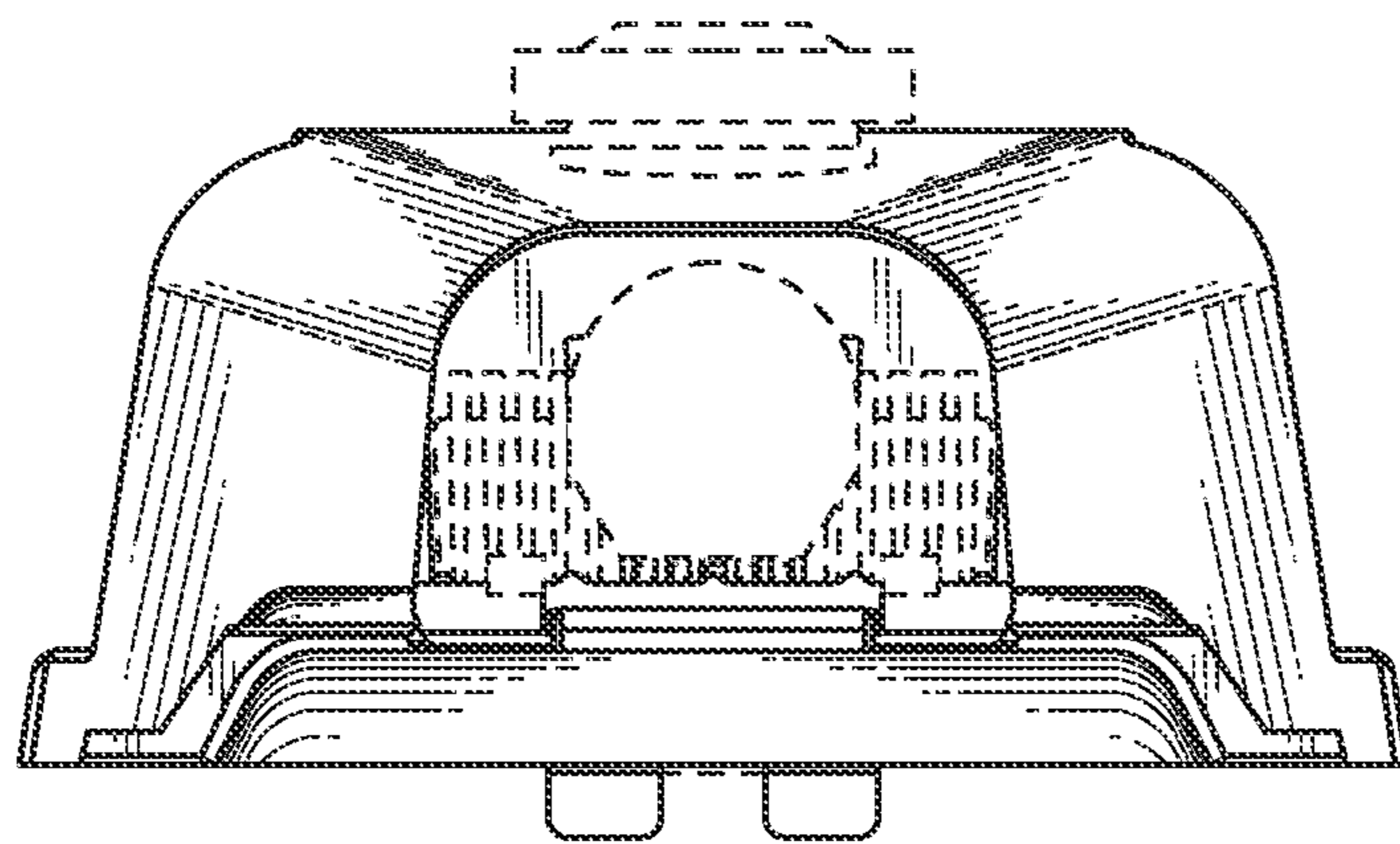


FIG. 7