



US00D681247S

(12) **United States Design Patent**
Kung

(10) **Patent No.:** **US D681,247 S**

(45) **Date of Patent:** **** Apr. 30, 2013**

(54) **LAMP UNIT**

(75) Inventor: **Kenneth Kung**, Columbus, OH (US)

(73) Assignee: **Dorcy International Inc.** OH (US)

(**) Term: **14 Years**

(21) Appl. No.: **29/403,843**

(22) Filed: **Oct. 12, 2011**

(51) **LOC (9) Cl.** **26-02**

(52) **U.S. Cl.**
USPC **D26/46**

(58) **Field of Classification Search** D26/37,
D26/38, 39, 40, 43, 45, 46, 49, 51; 362/157,
362/158, 183, 185, 194-197, 200-208
See application file for complete search history.

(56) **References Cited**

U.S. PATENT DOCUMENTS

D443,370 S *	6/2001	Yu	D26/37
D476,437 S *	6/2003	Dalton et al.	D26/37
D543,649 S *	5/2007	Bhavnani	D26/37
D574,527 S *	8/2008	Squires et al.	D26/37
D593,694 S *	6/2009	Bent	D26/37

D606,689 S *	12/2009	Bent	D26/48
D607,132 S *	12/2009	Ma	D26/60
D616,125 S *	5/2010	Kang et al.	D26/37
D623,323 S *	9/2010	Kung	D26/45
D628,727 S *	12/2010	Risch et al.	D26/49
D642,713 S *	8/2011	Babey	D26/46

* cited by examiner

Primary Examiner — Ian Simmons

Assistant Examiner — Carissa C Fitts

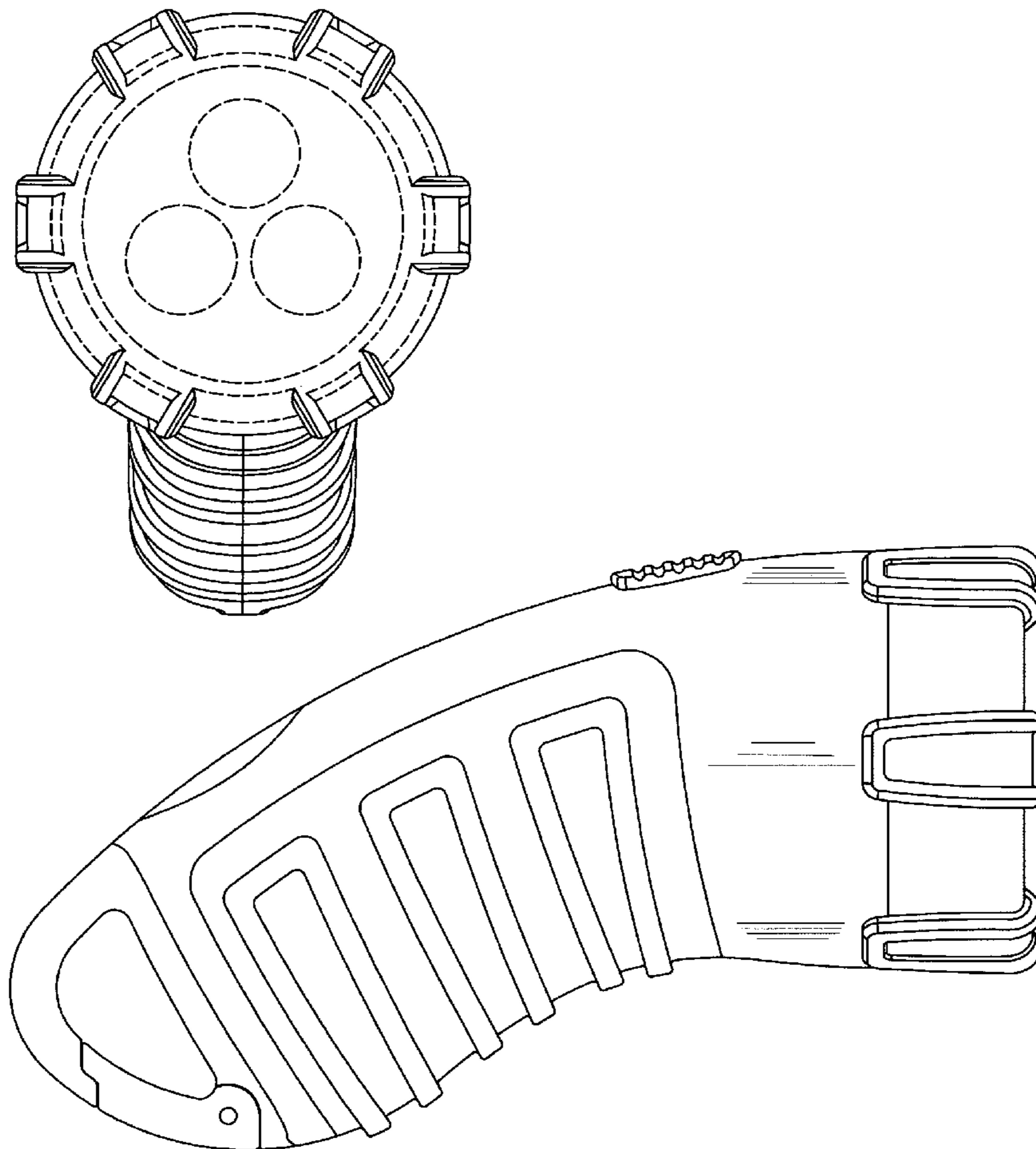
(57) **CLAIM**

The ornamental design for a lamp unit, as shown and described.

DESCRIPTION

FIG. 1 is a front elevational view of a lamp unit showing my new design;
FIG. 2 is a rear elevational view thereof;
FIG. 3 is a left side view thereof;
FIG. 4 is a right side view thereof;
FIG. 5 is a top plan view thereof; and,
FIG. 6 is a bottom plan view thereof.
The broken lines showing of the lens and lights forms no part of the claimed design.

1 Claim, 6 Drawing Sheets



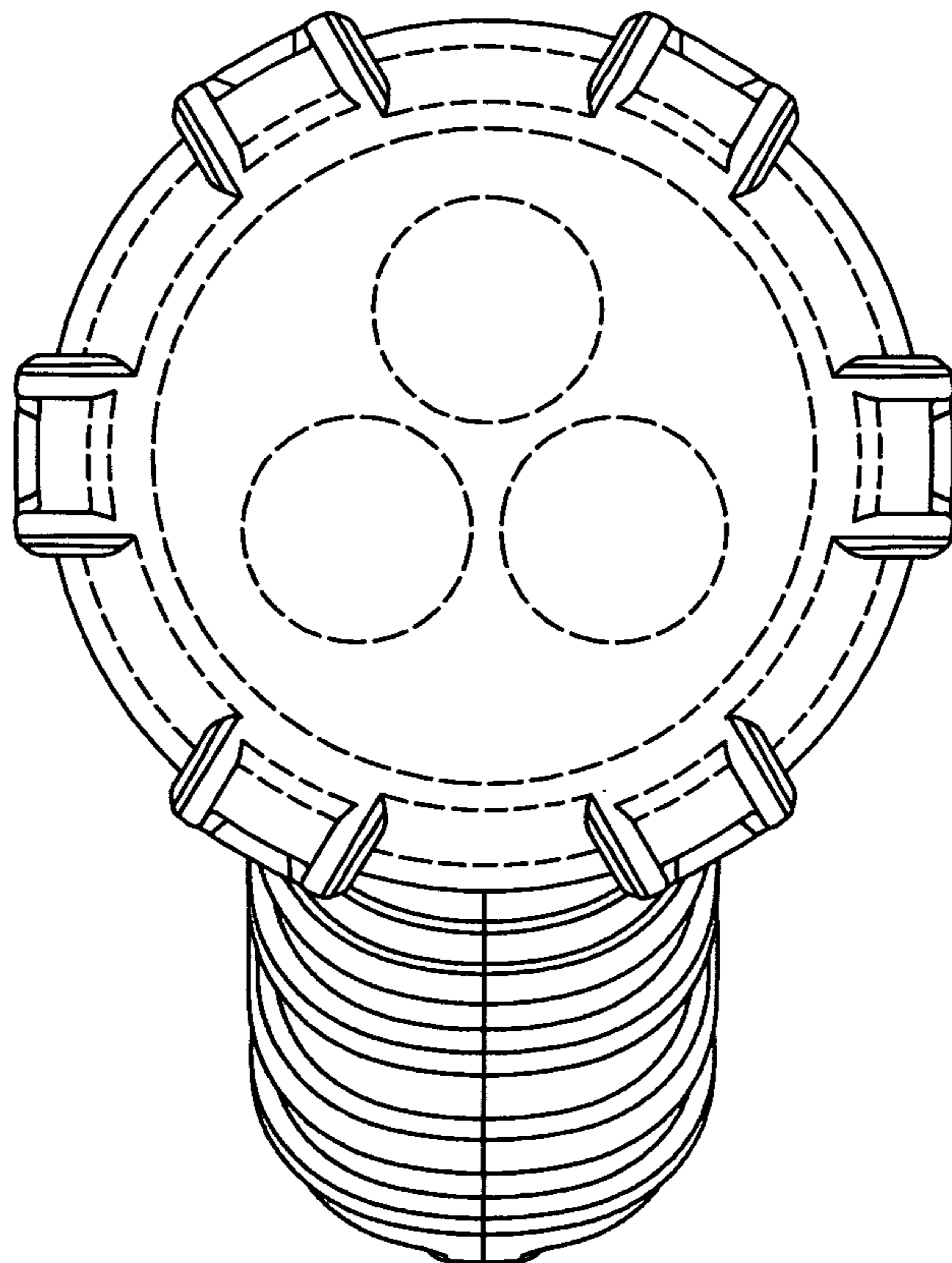


FIG. 1

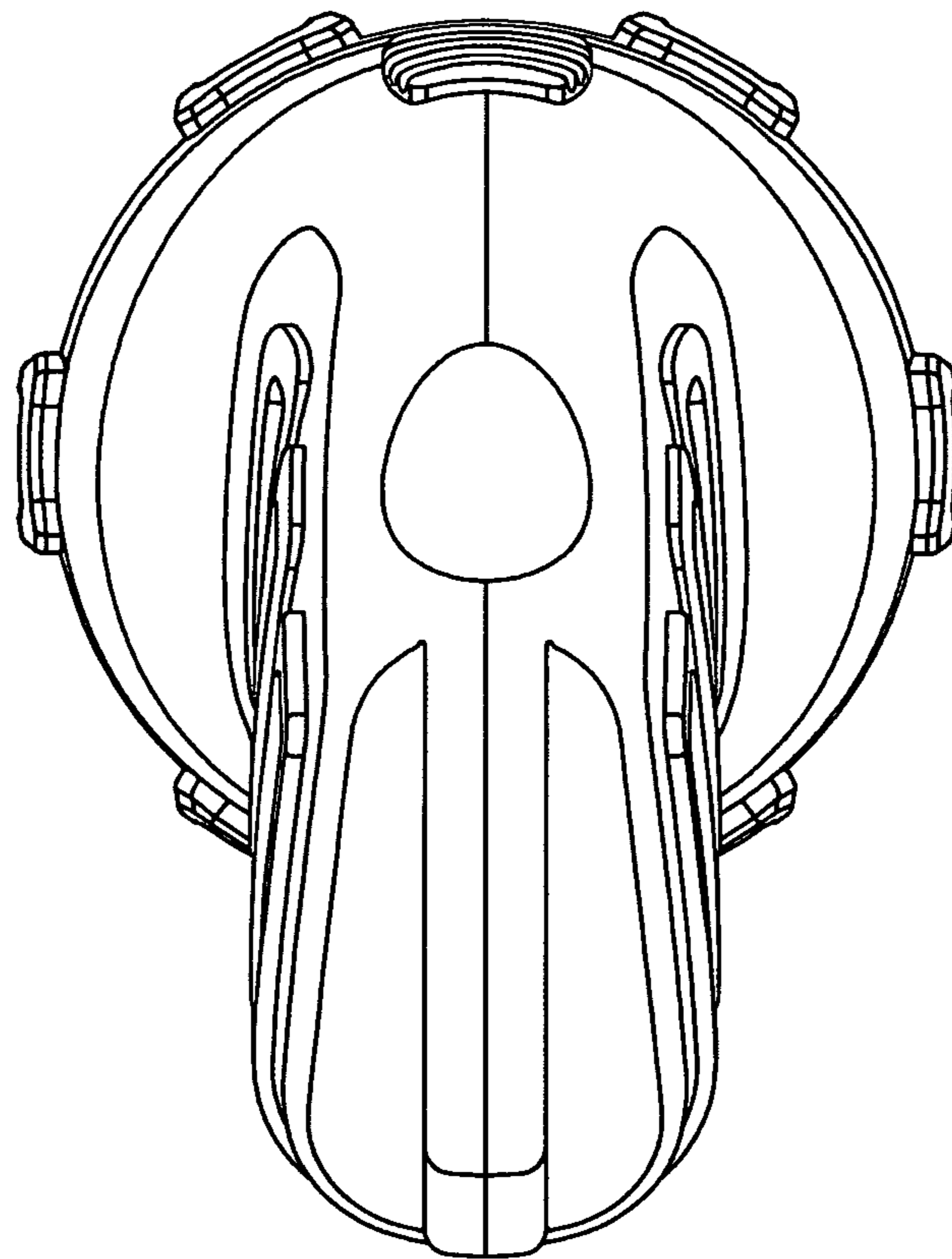


FIG. 2

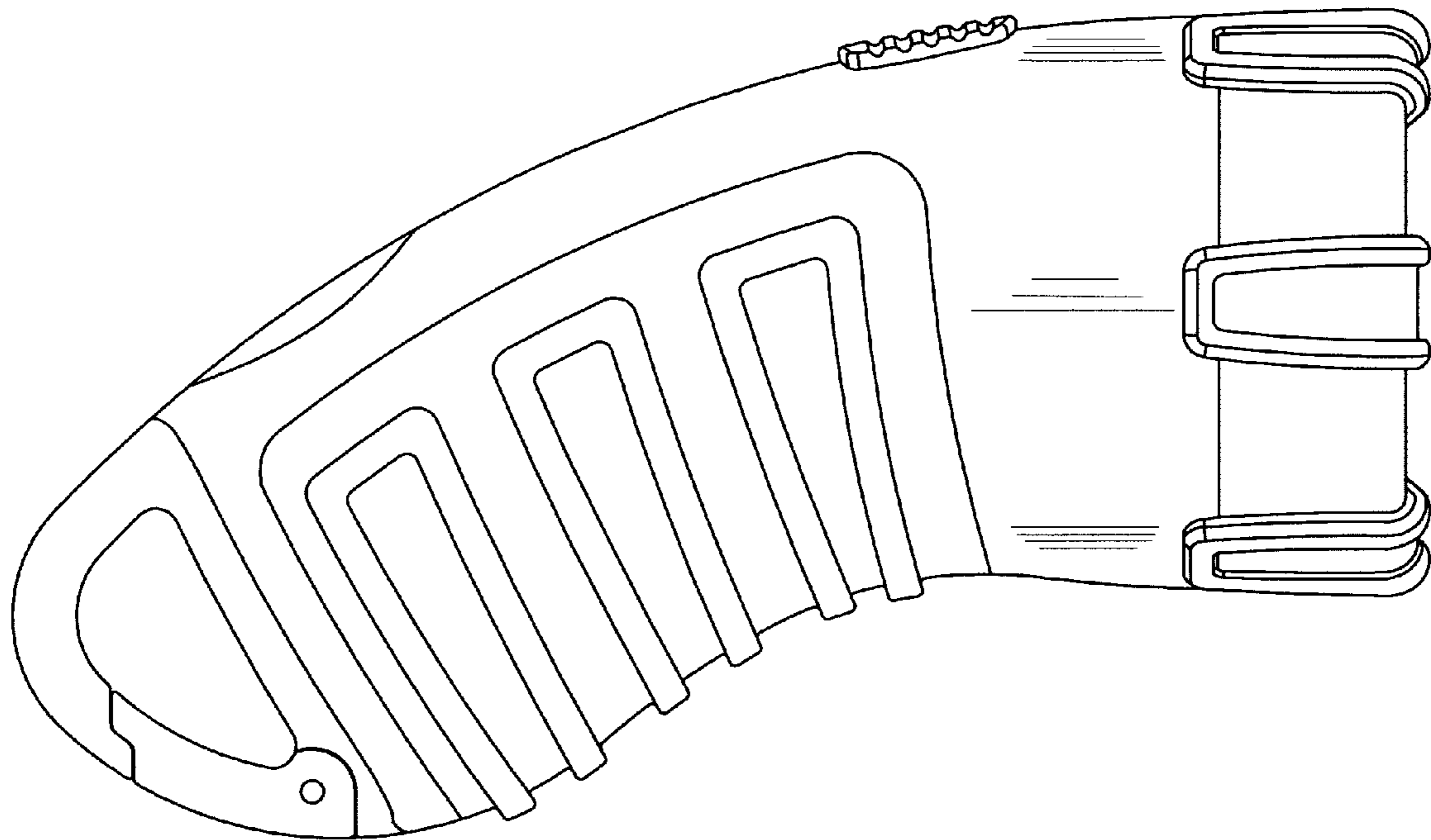


FIG. 3

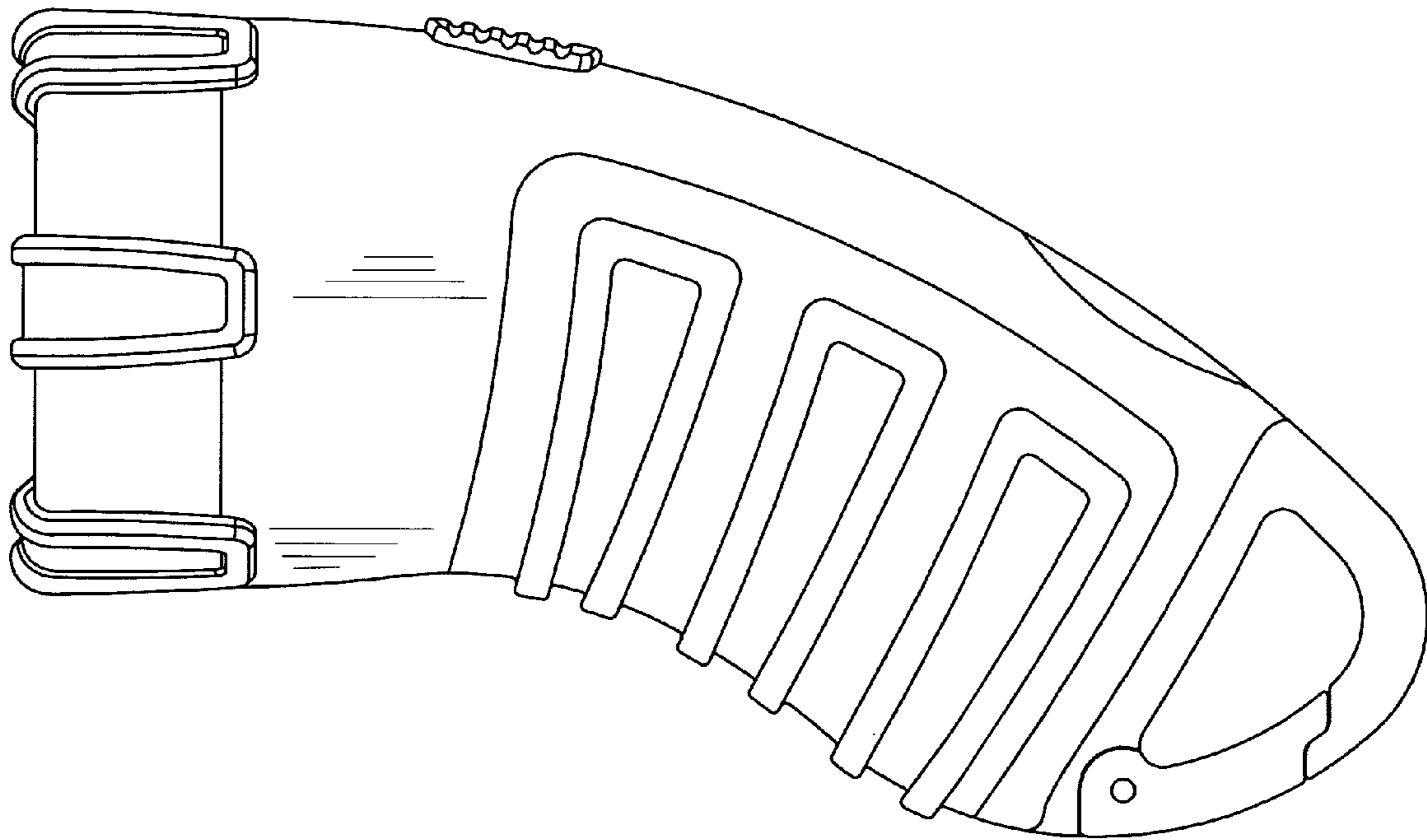


FIG. 4

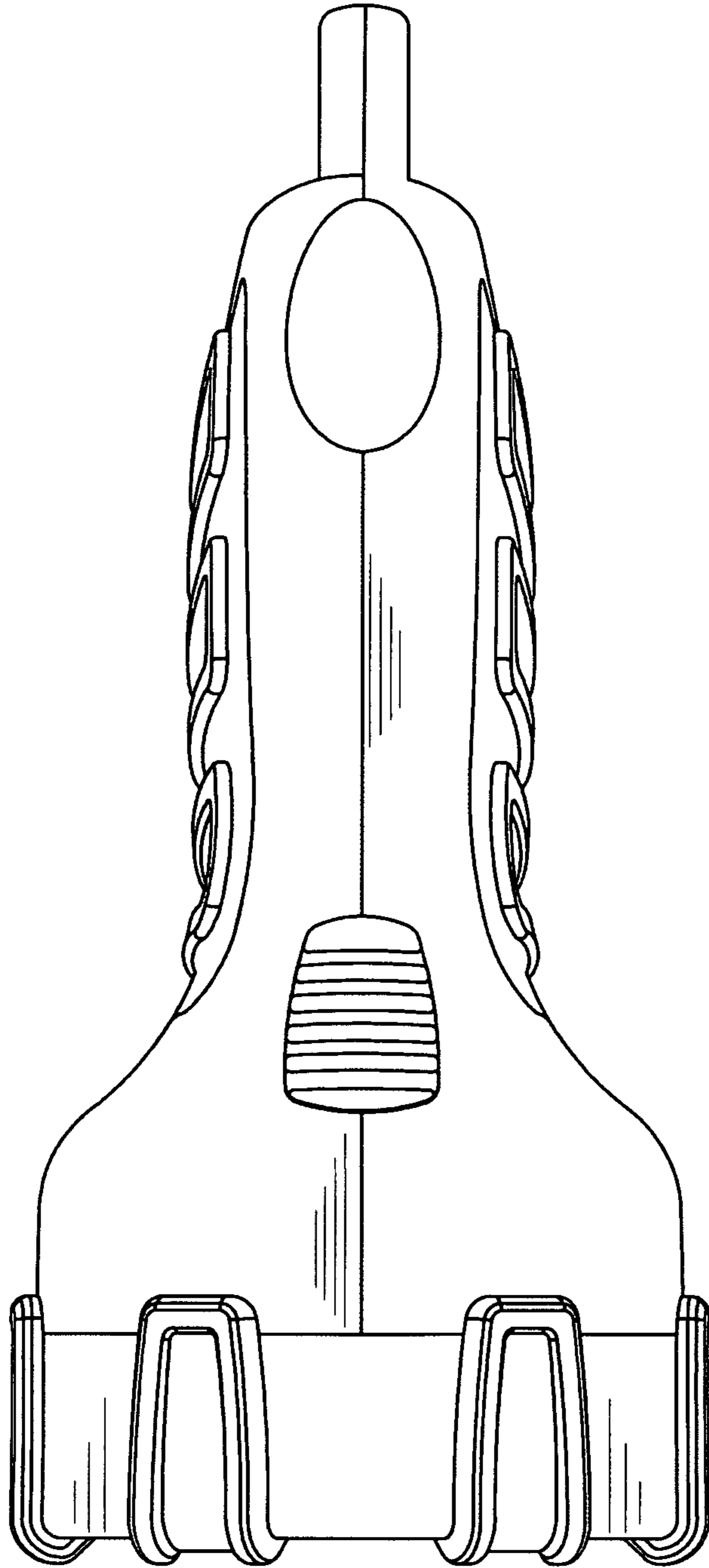


FIG. 5

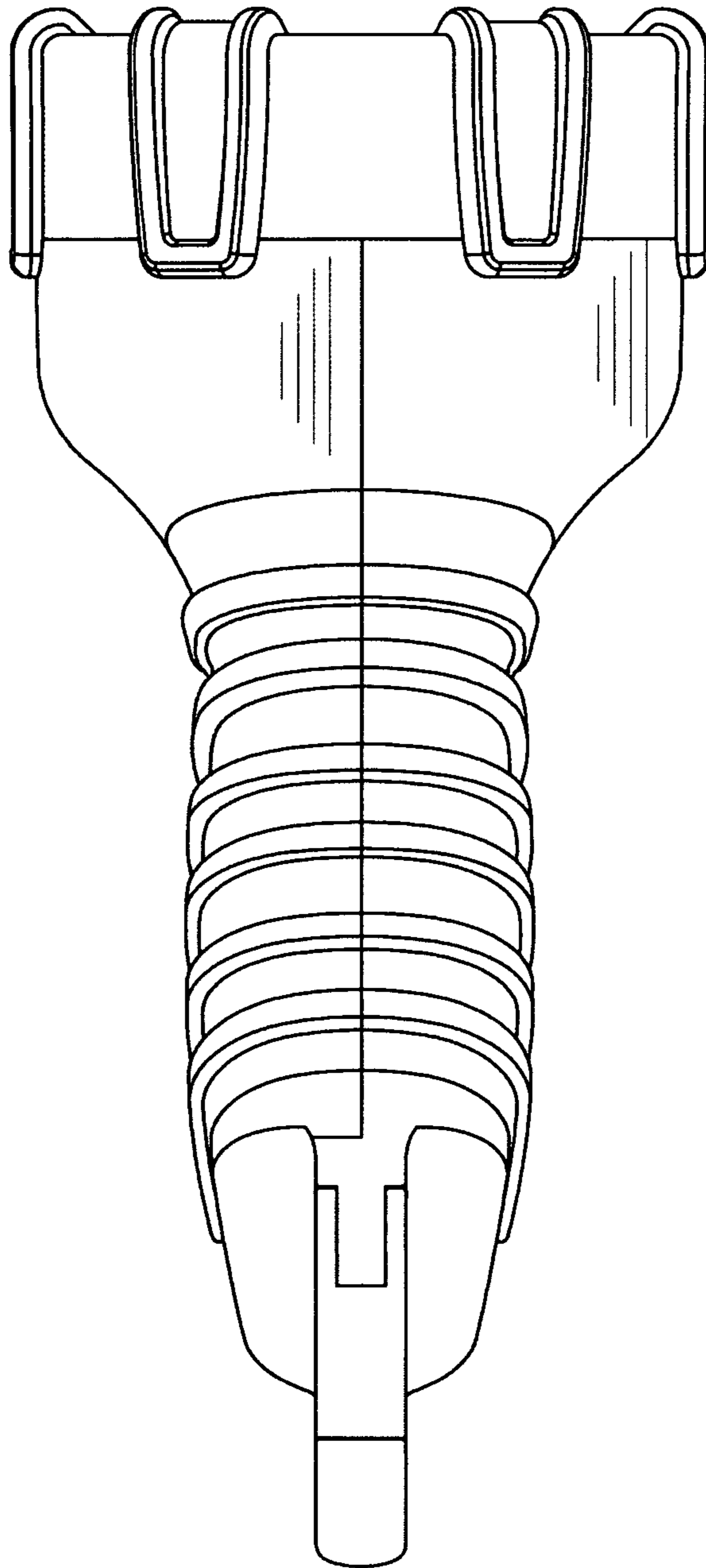


FIG. 6