



US00D681246S

(12) **United States Design Patent**
Keeley et al.

(10) **Patent No.:** **US D681,246 S**

(45) **Date of Patent:** **** Apr. 30, 2013**

(54) **PORTABLE LIGHT**

(75) Inventors: **Donald J. Keeley**, Emmaus, PA (US);
Matthew B. Dalton, Elkins Park, PA
(US)

(73) Assignee: **Streamlight, Inc.**, Eagleville, PA (US)

(**) Term: **14 Years**

(21) Appl. No.: **29/366,461**

(22) Filed: **Jul. 26, 2010**

Related U.S. Application Data

(63) Continuation of application No. 29/355,530, filed on
Feb. 9, 2010, now abandoned.

(51) **LOC (9) Cl.** **26-02**

(52) **U.S. Cl.**
USPC **D26/44**

(58) **Field of Classification Search** D26/37-40,
D26/43-47, 49, 51; 362/157, 158, 183, 184,
362/190-208

See application file for complete search history.

(56) **References Cited**

U.S. PATENT DOCUMENTS

D335,715 S	5/1993	Wan	
5,410,237 A	4/1995	Sharrah et al.	
D373,211 S *	8/1996	Heun	D26/44
D375,570 S *	11/1996	Hayakawa et al.	D26/44
D378,434 S *	3/1997	Petterson et al.	D26/44
5,871,272 A	2/1999	Sharrah et al.	
D409,777 S	5/1999	Sharrah et al.	
D410,557 S *	6/1999	Petterson et al.	D26/44
6,012,824 A	1/2000	Sharrah et al.	
6,250,771 B1	6/2001	Sharrah et al.	
6,350,040 B1	2/2002	Parker	
6,523,972 B2	2/2003	Sharrah et al.	

6,585,400 B2	7/2003	Leen
6,633,152 B2	10/2003	Sharrah et al.
6,659,621 B2	12/2003	Sharrah et al.
6,817,730 B2	11/2004	Sharrah et al.

(Continued)

OTHER PUBLICATIONS

Pelican Products, "Big Ed 3700 Photoluminescent Flashlight", http://www.pelican.com/lights_detail_print.php?recordID=3700PL,
printed Jul. 22, 2010, 1 page.

(Continued)

Primary Examiner — Ian Simmons

Assistant Examiner — Carissa C Fitts

(74) *Attorney, Agent, or Firm* — Clement A. Berard, Esq.;
Dann, Dorfman, Herrell & Skillman, PC

(57) **CLAIM**

The ornamental design for a portable light, substantially as
shown and described.

DESCRIPTION

FIG. 1 is a first side view of a portable light showing our new
design;

FIG. 2 is a side view of a second side thereof;

FIG. 3 is a side view of a third side thereof;

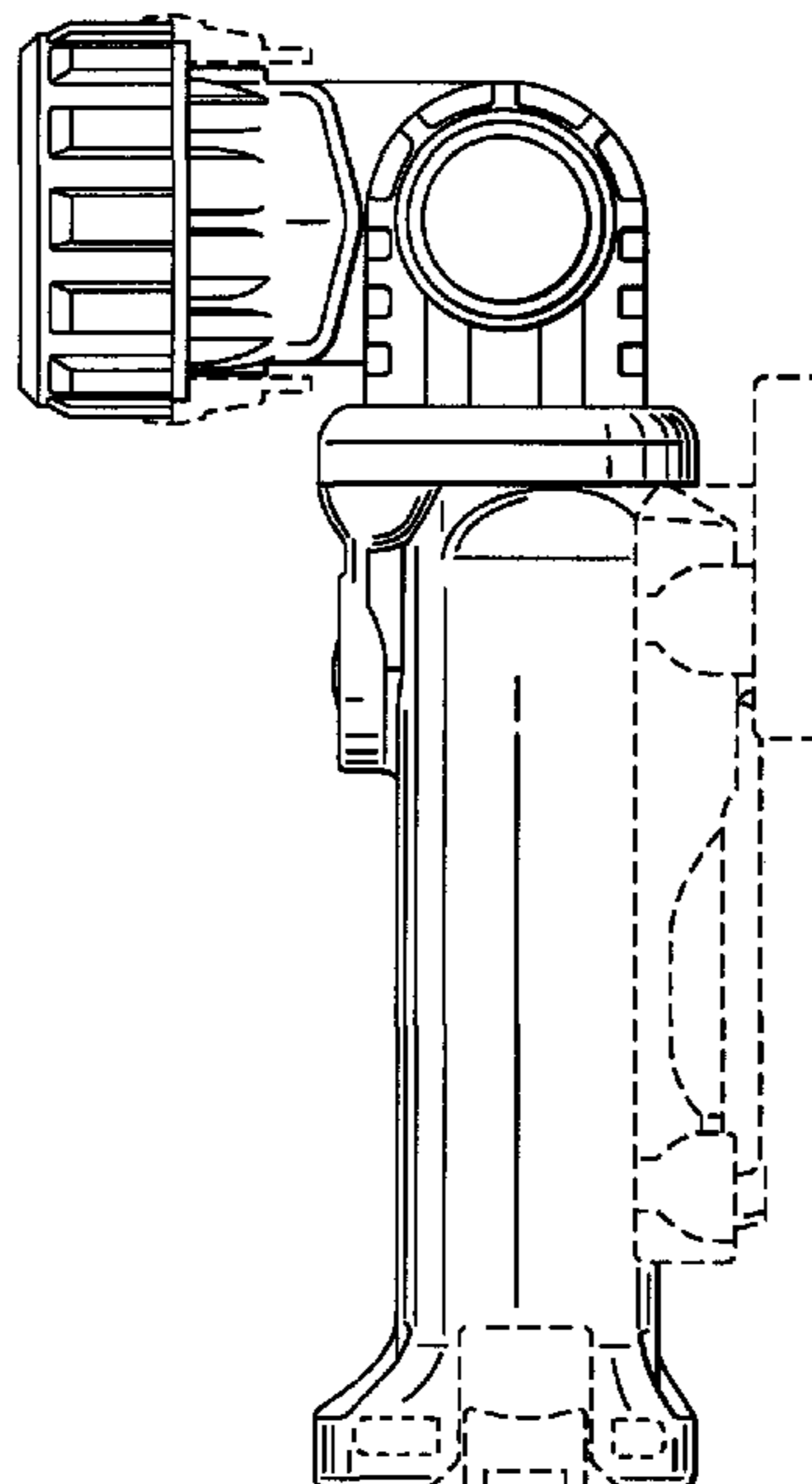
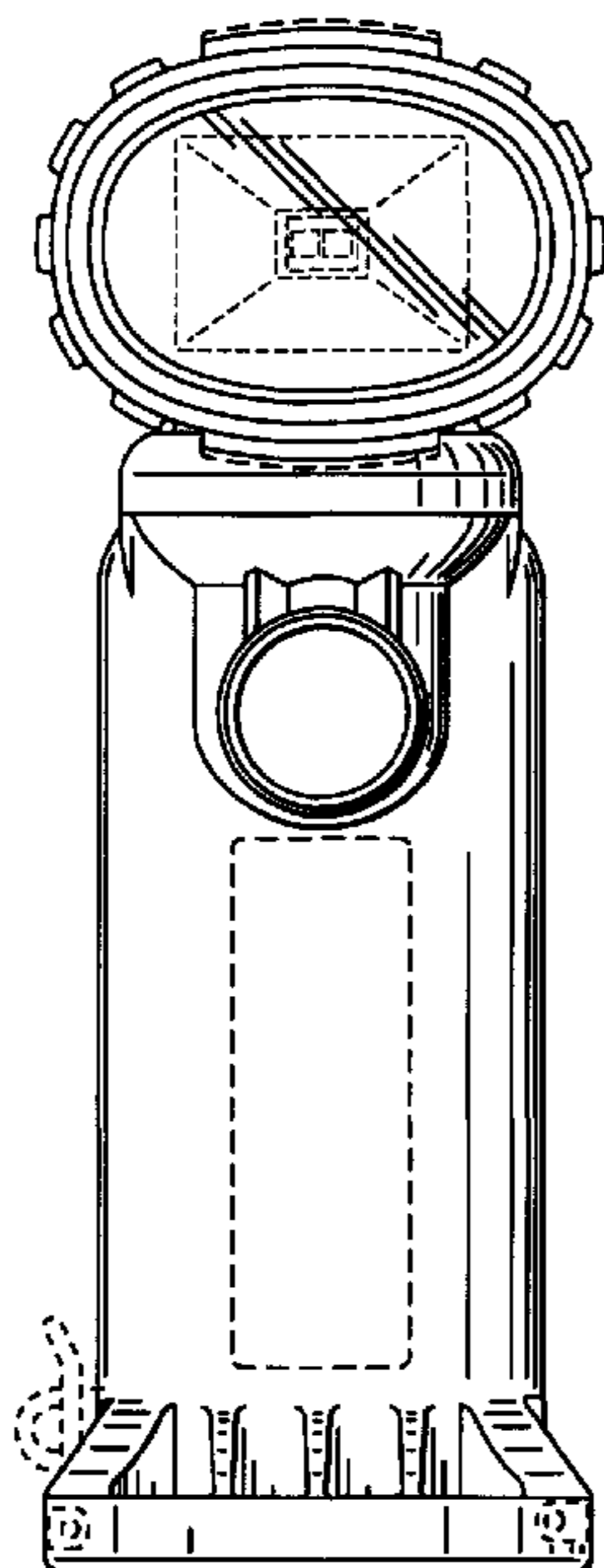
FIG. 4 is a side view of a fourth side thereof;

FIG. 5 is an end view of a first end thereof; and,

FIG. 6 is an end view of a base end thereof.

Broken lines in the illustrations of the drawing indicate
unclaimed parts of the article and/or unclaimed environment
that are not part of the design herein. The portable light is a
single design in which a head portion thereof may be rotatable
to different positions of which examples are shown.

1 Claim, 2 Drawing Sheets



U.S. PATENT DOCUMENTS

D536,464	S *	2/2007	Kingston et al.	D26/43
7,172,310	B2	2/2007	Hsu	
7,229,189	B2 *	6/2007	Parker et al.	362/199
D552,279	S *	10/2007	Osiecki et al.	D26/44
D552,280	S *	10/2007	Osiecki et al.	D26/44
7,314,286	B2	1/2008	Sharrah et al.	
D563,005	S *	2/2008	Oles et al.	D26/44
7,338,189	B2	3/2008	Kovacik et al.	
D567,418	S *	4/2008	Gilbert et al.	D26/43
7,510,294	B2 *	3/2009	Steele et al.	362/114
D590,971	S *	4/2009	Spartano et al.	D26/44
D599,925	S *	9/2009	Kingston	D26/44
D599,926	S *	9/2009	Schoch	D26/45
D604,876	S *	11/2009	Chadwick	D26/44
D605,795	S *	12/2009	Baker et al.	D26/44
7,646,973	B2	1/2010	Howard et al.	
7,699,491	B2	4/2010	Sharrah et al.	
7,731,385	B2 *	6/2010	Spartano et al.	362/197
D620,161	S *	7/2010	Kang et al.	D26/45
7,850,330	B2	12/2010	Spartano	
7,857,480	B2 *	12/2010	Steele et al.	362/197
8,075,156	B2 *	12/2011	Steele et al.	362/191
8,142,045	B2 *	3/2012	Peak	362/191
2003/0151914	A1	8/2003	Kish et al.	
2009/0290335	A1	11/2009	Levine	

OTHER PUBLICATIONS

Getflashlights.com, “Energizer-Eveready Flashlights”, http://www.getflashlights.com/energizer_eveready . . . , printed May 20, 2010, 5 pages.

Streamlight, Inc., “Survivor Series”, www.streamlight.com, © 2010, 4 pages.

Patent Cooperation Treaty, “Notification of Transmittal of the International Search Report and the Written Opinion of the International Searching Authority”, May 12, 2011, 11 pages.

LED—WorkLight, “Ultimate Technician’s Work Light”, 2 pages, © 2010.

Aqua-Air Industries, “Picture of LaserFlex™ 2D”, prior to Feb. 8, 2011, 1 page.

Rayovac, “2AA Industrial Swivel Light with Heavy Duty Batteries”, printed Feb. 8, 2011, 1 page.

Rayovac, “Black & Decker Lights”, including “2AA Swivel Head Work Light”, “2AA Work Light”, “2D Swivel Head Work Light”, “Flex360 LED Clamp Light”, “LED Clip Flashlight”, and “LED Pocket Flex Light”, www.rayovac.com/en/products/lights . . . , printed Feb. 8, 2011, 8 pages.

Rayovac, “Sportsman 2AA Swivel-Lite pictures”, object prior to Feb. 9, 2010 (pictures taken Jun. 2011), 6 pages.

Rayovac, “Rayovac light pictures”, object prior to Feb. 9, 2010 (photos taken Jun. 2011), 4 pages.

Rayovac, “Swivel-Lite pictures”, ca. 1996 (photos taken Jun. 2011), 4 pages.

Maxxeon, “WorkStar 1400 light pictures”, object prior to Feb. 9, 2010 (photos taken Jun. 2011), 3 pages.

Adaro Tecnologia, SA, “Adalite L2000” web page and pages from brochure, www.adalite.es/EN/HAdaliteL2000EN.html, Publicacion No EP-DA-8/1, Emission: Agosto/06. Rev.0, printed Apr. 18, 2011, 2 pages.

Adaro Tecnologia, SA, “Adalite L2000-L/LB Safety Rechargeable Torch User Instructions”, Publicacion No EP-DA-8/3, Emission: Enero 08. Rev.3, date: Jul. 24, 2006, 16 pages.

* cited by examiner

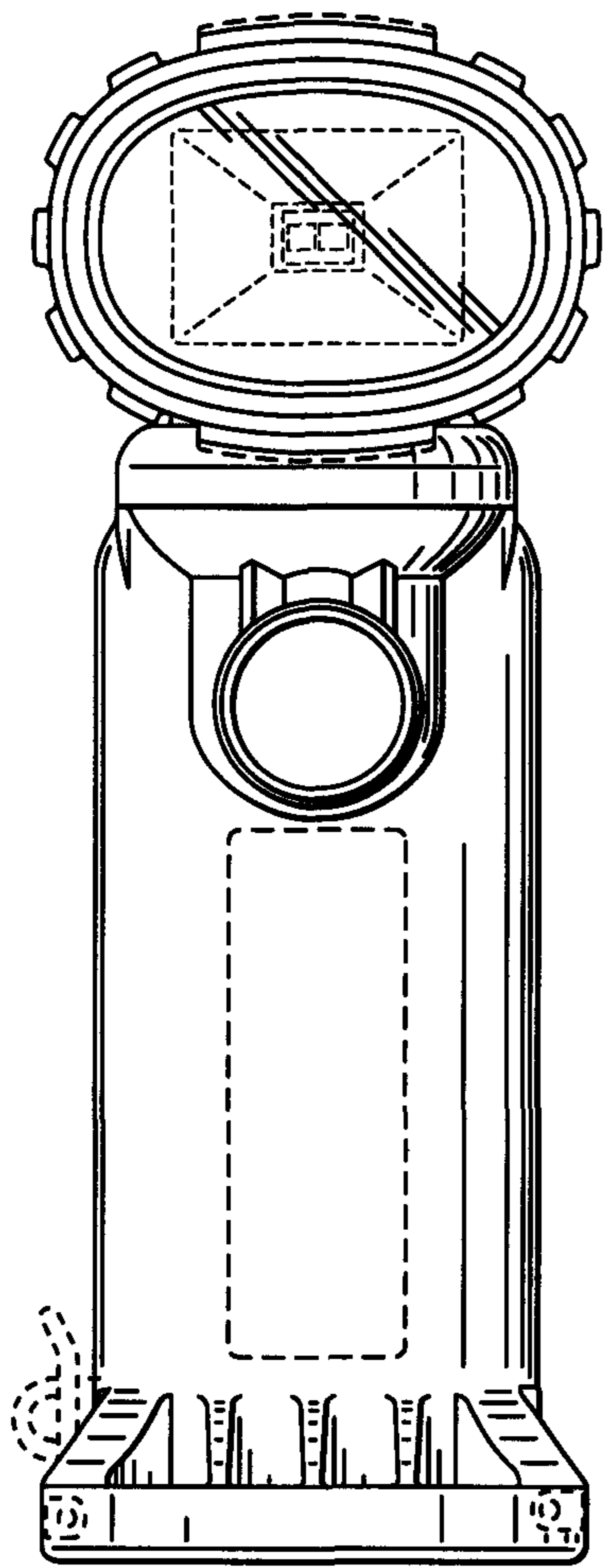


Fig. 1

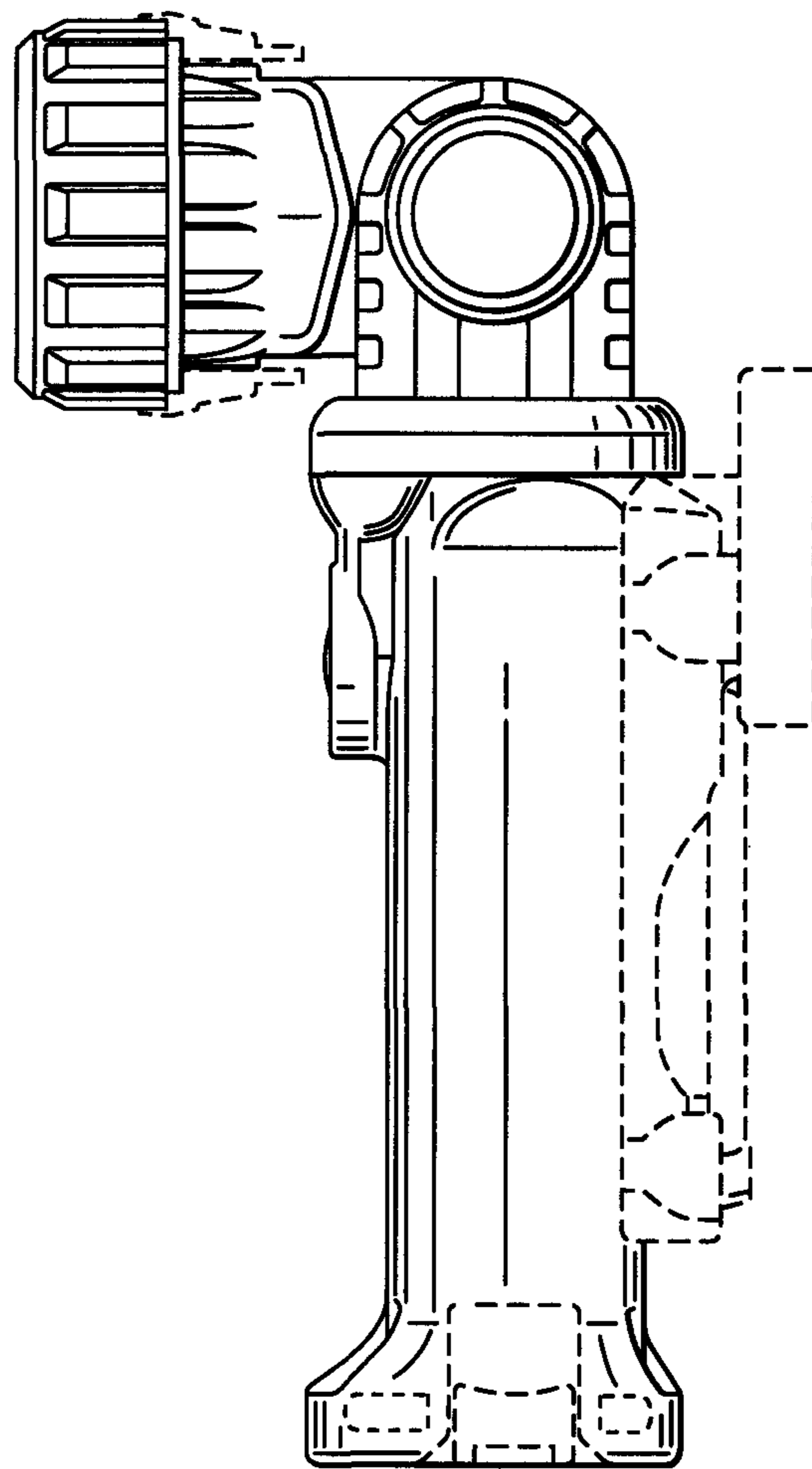


Fig. 2

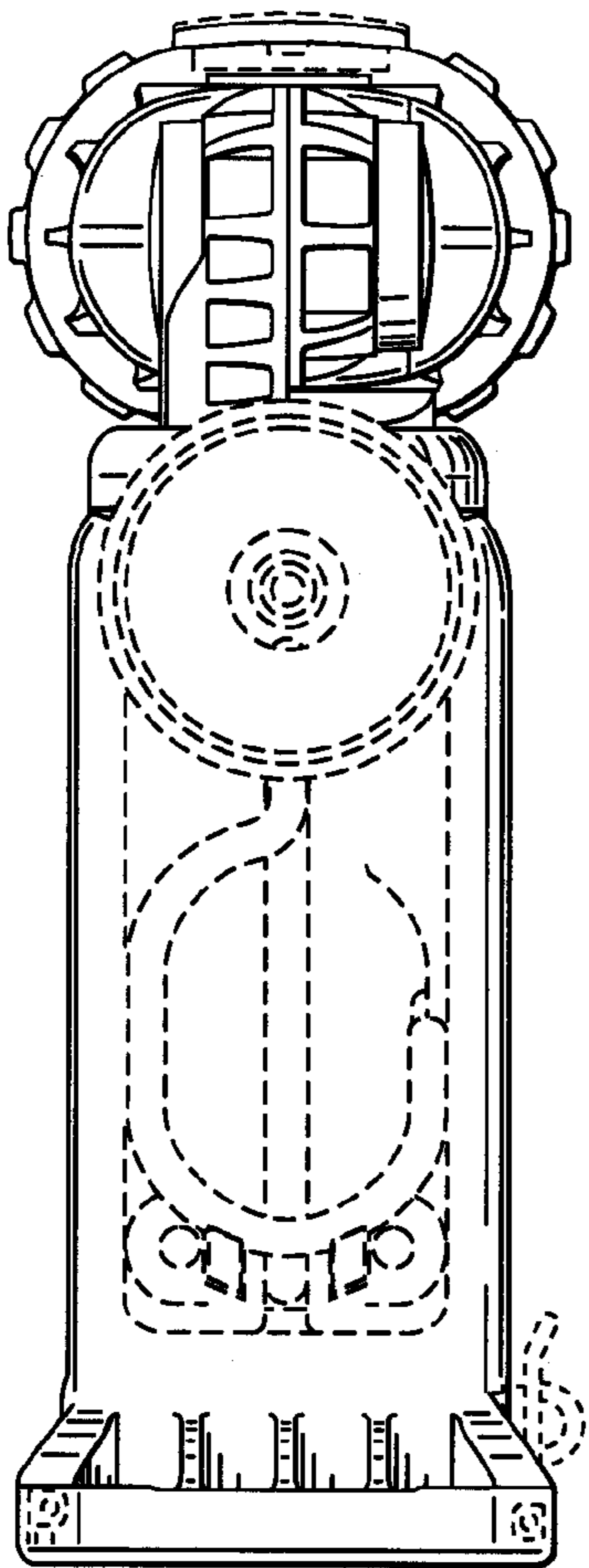


Fig. 3

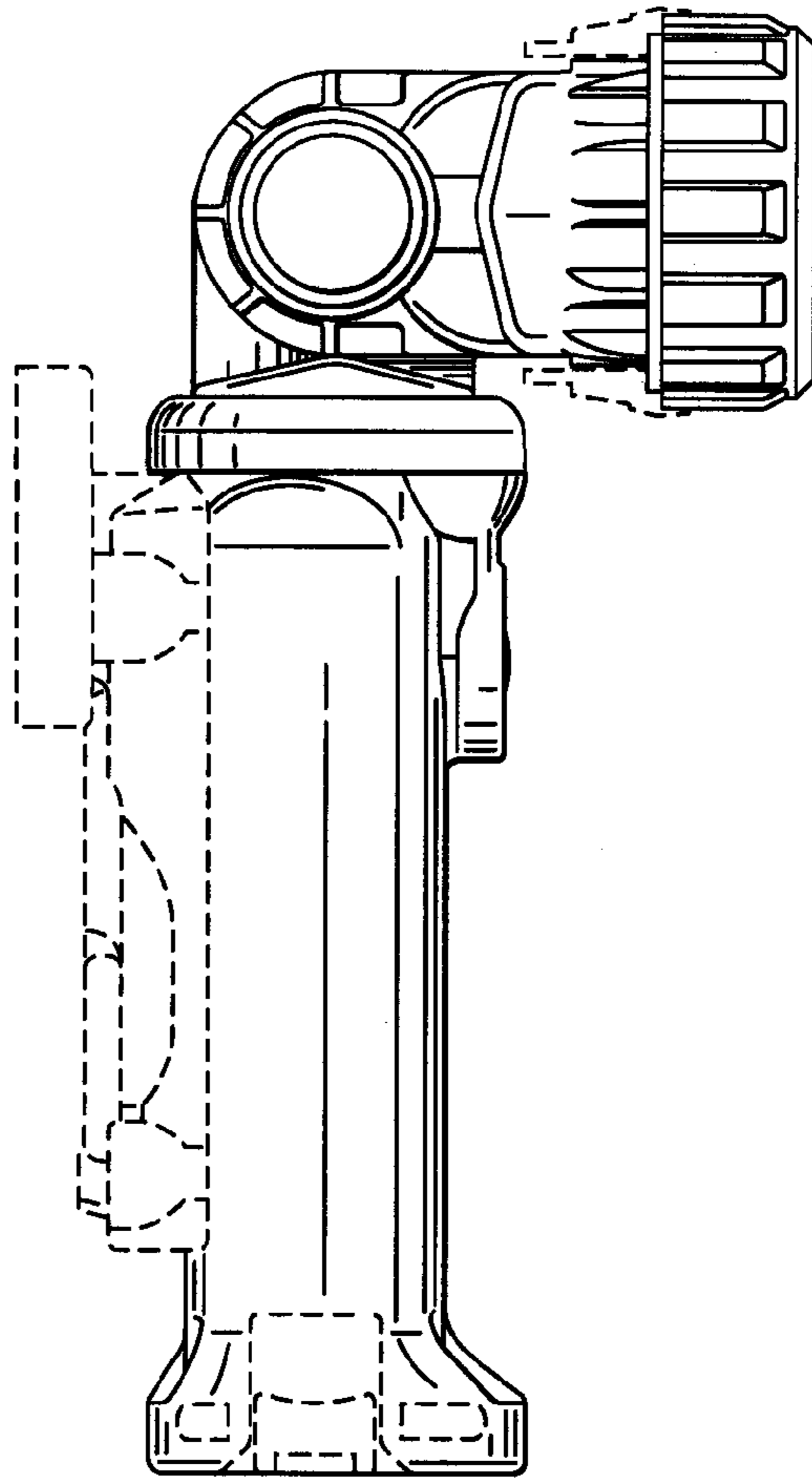


Fig. 4

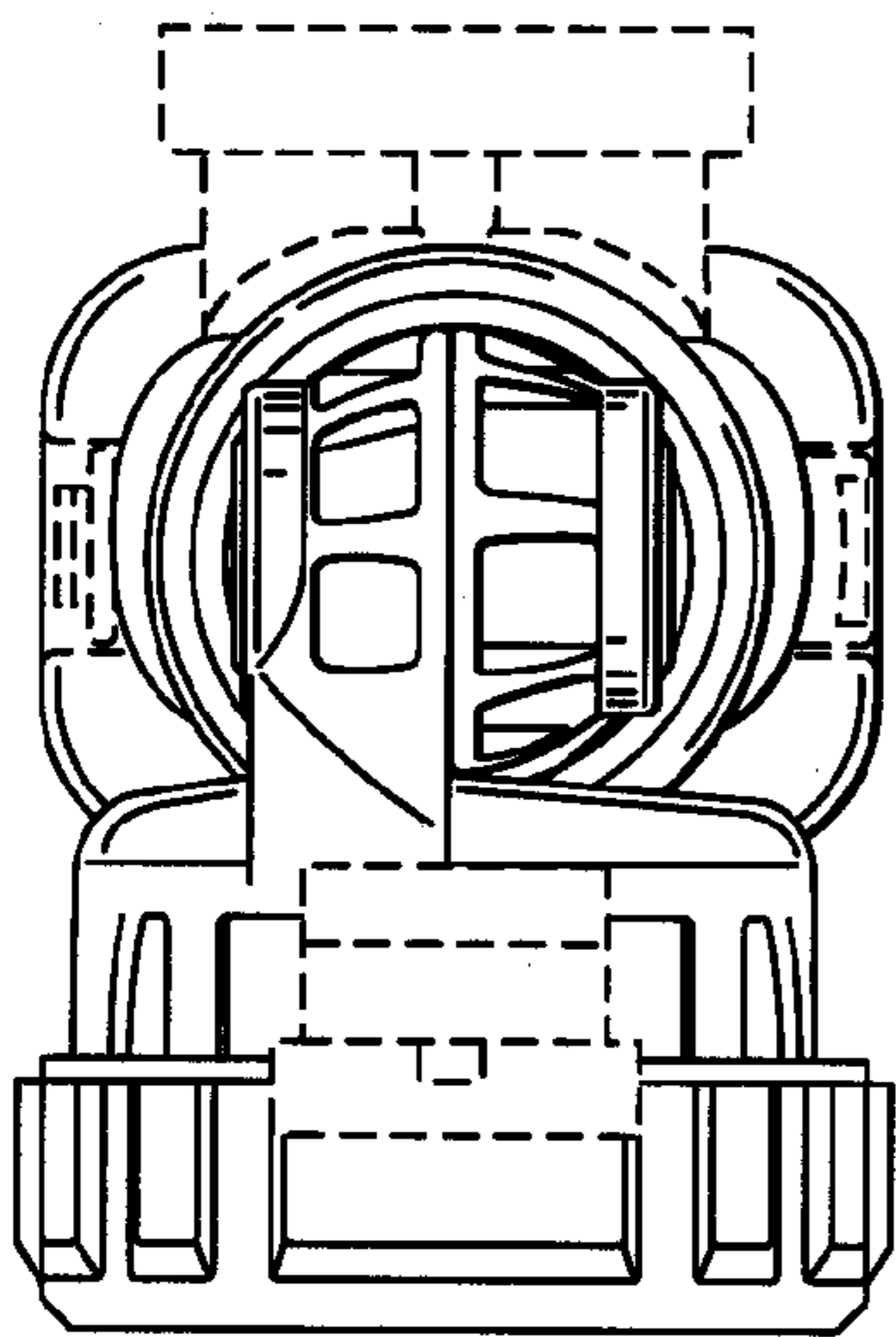


Fig. 5

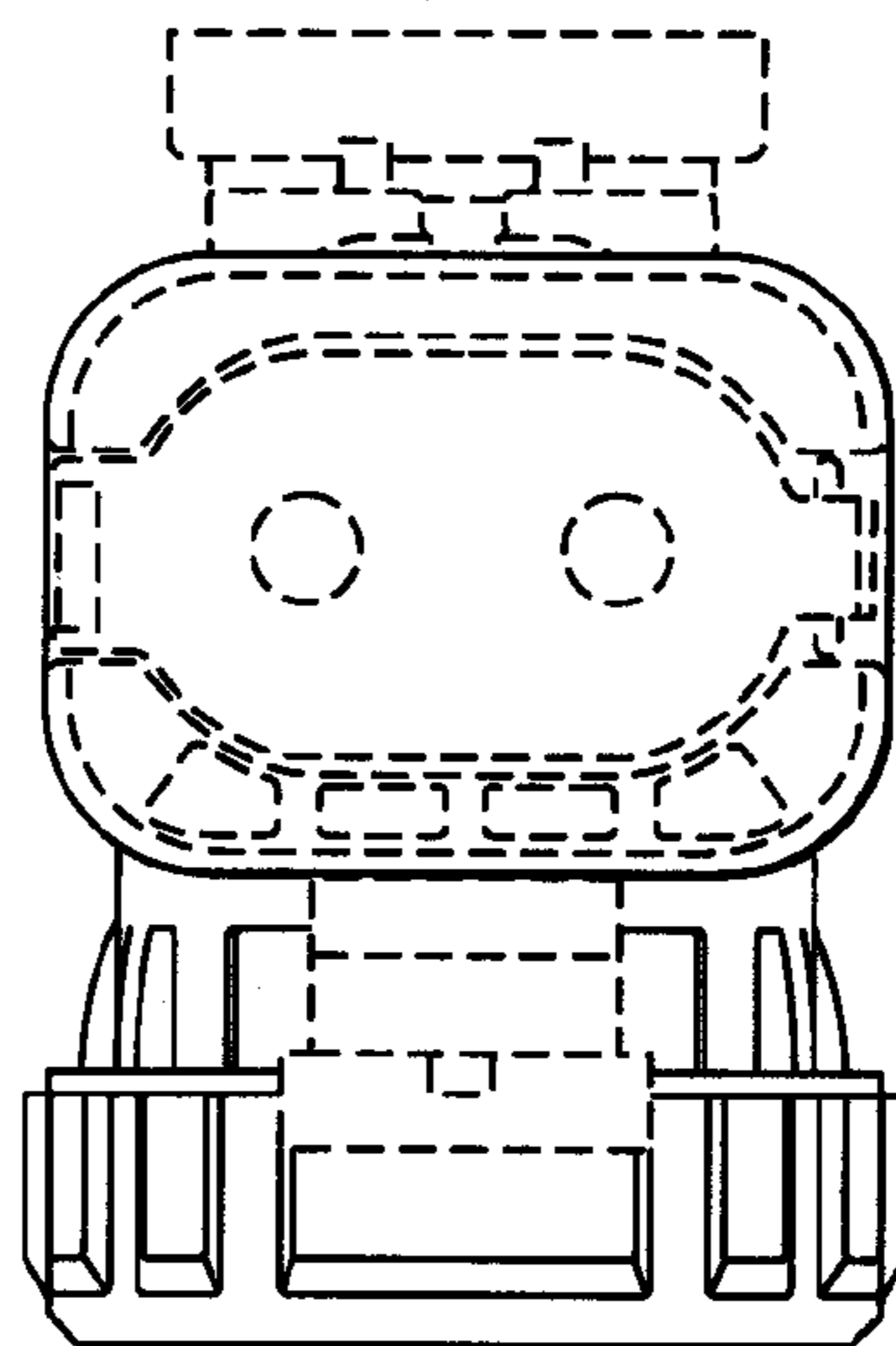


Fig. 6