



US00D681245S

(12) **United States Design Patent**
Colborne

(10) **Patent No.:** **US D681,245 S**

(45) **Date of Patent:** **** Apr. 30, 2013**

(54) **VEHICLE TAILLIGHT**

(75) Inventor: **Guy Colborne**, Littlehampton (DE)

(73) Assignee: **Ford Global Technologies, Inc.**,
Dearborn, MI (US)

(**) Term: **14 Years**

(21) Appl. No.: **29/409,800**

(22) Filed: **Dec. 29, 2011**

(51) **LOC (9) Cl.** **26-06**

(52) **U.S. Cl.**

USPC **D26/28**

(58) **Field of Classification Search** D26/28-36;
362/459-468, 475-478, 485-487

See application file for complete search history.

(56) **References Cited**

U.S. PATENT DOCUMENTS

D550,380 S * 9/2007 Lin D26/28
D552,769 S * 10/2007 Leclercq D26/28
D565,211 S * 3/2008 Haller et al. D26/28

D595,880 S 7/2009 Lamm
D598,588 S 8/2009 Lamm
D602,616 S * 10/2009 Okamura et al. D26/28
D605,793 S * 12/2009 Weil D26/28

* cited by examiner

Primary Examiner — Marcus Jackson

(74) *Attorney, Agent, or Firm* — Damian Porcari

(57) **CLAIM**

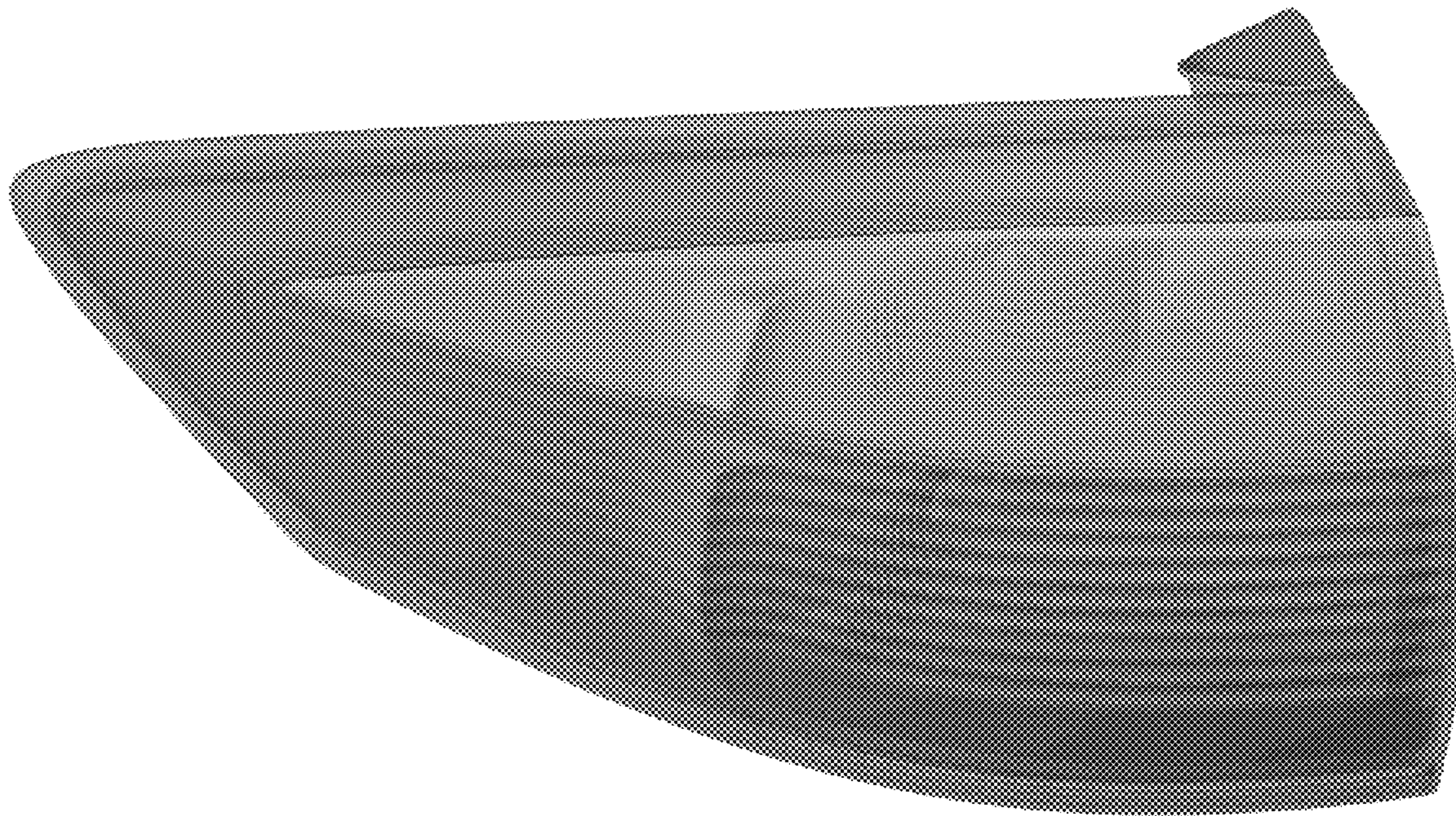
The ornamental design for a vehicle taillight, as shown and described.

DESCRIPTION

FIG. 1 is a left side elevational view of a left vehicle taillight (the right vehicle taillight being a mirror image and is not shown);

FIG. 2 is a right side elevational view of the vehicle taillight; FIG. 3 is a front elevational view of the vehicle taillight; FIG. 4 is a top plan view of the vehicle taillight; FIG. 5 is a bottom plan view of the vehicle taillight; FIG. 6 is a perspective view of the vehicle taillight; and, FIG. 7 is another perspective view of the vehicle taillight.

1 Claim, 7 Drawing Sheets



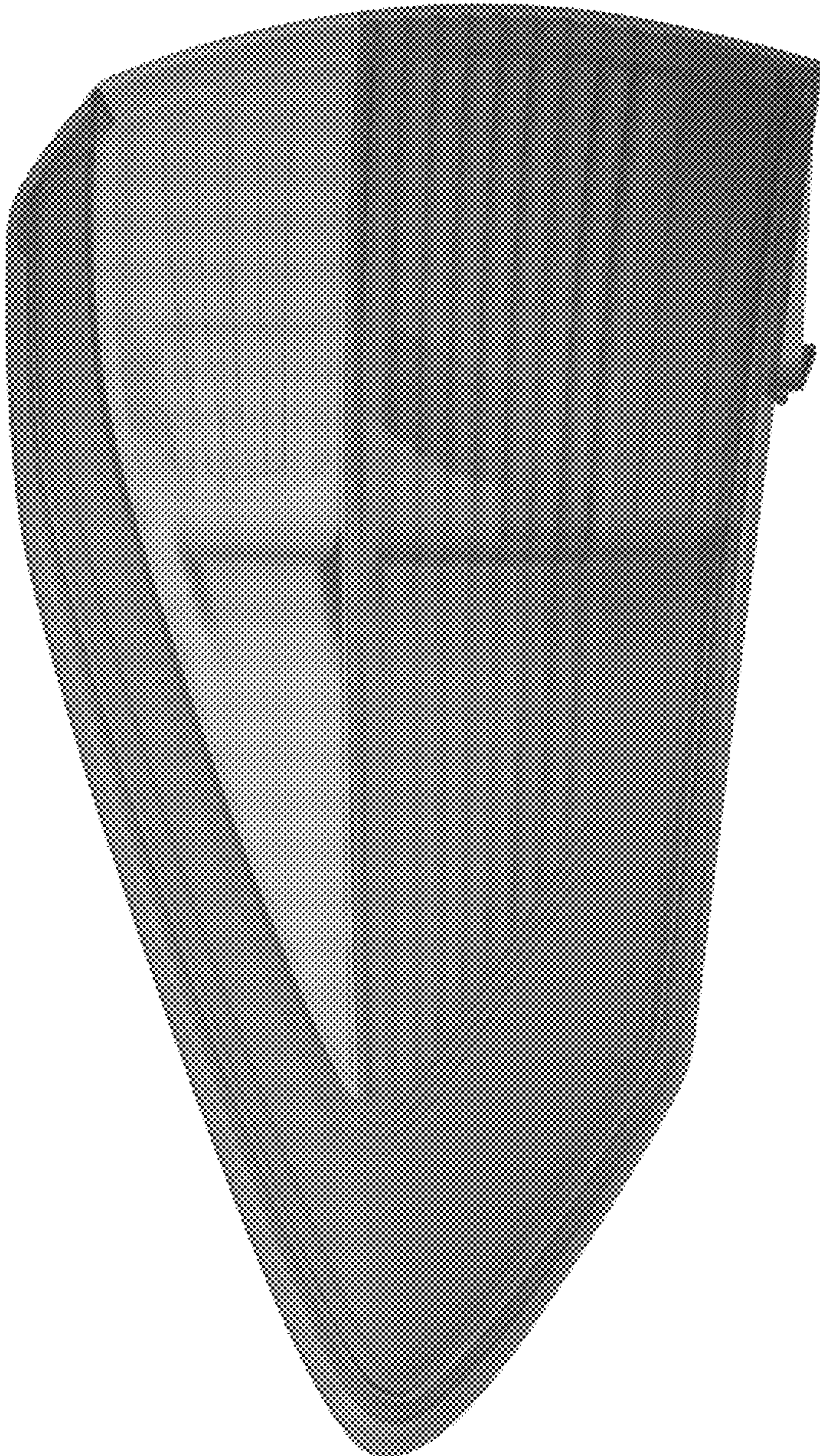


Figure 1

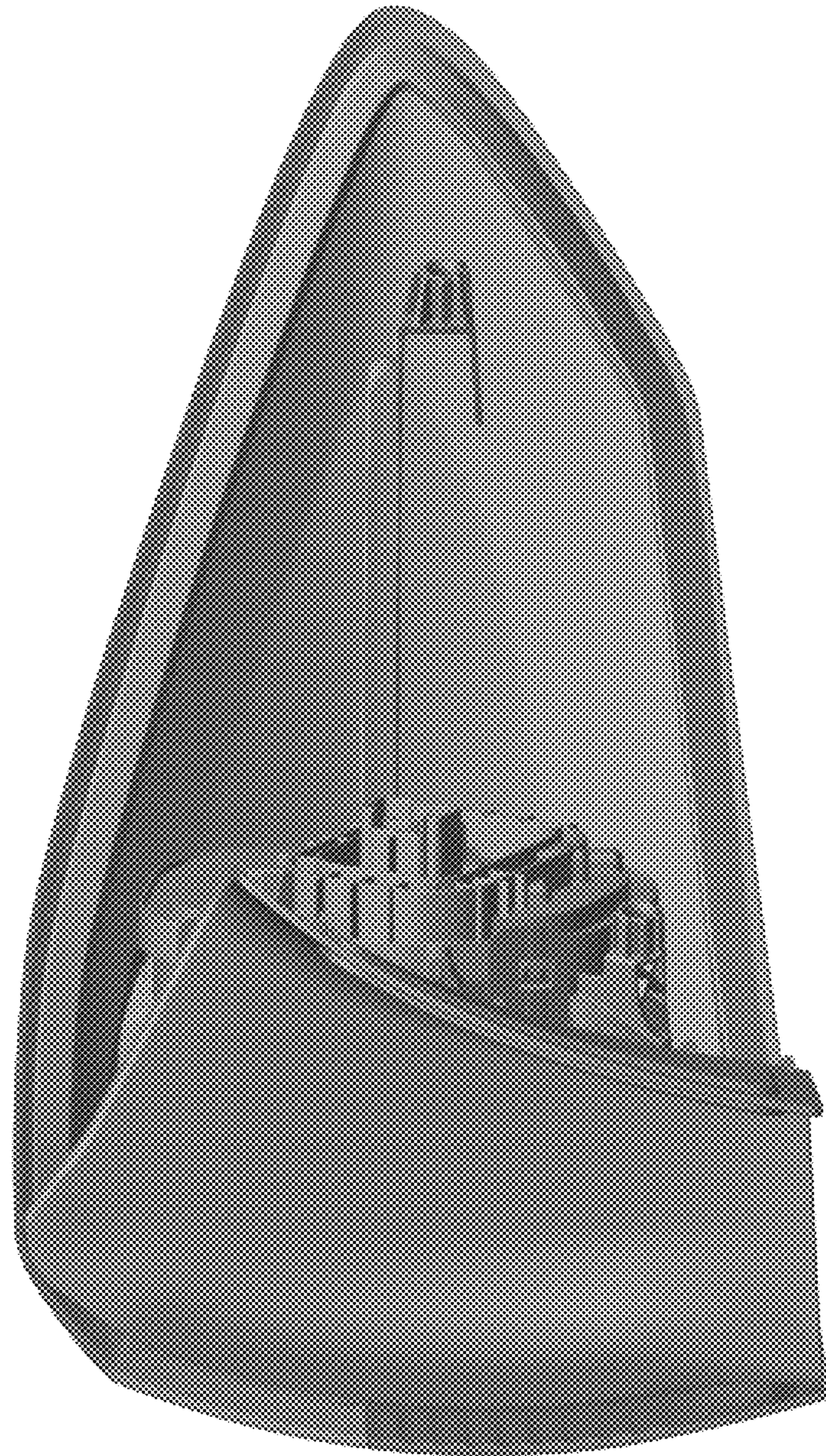


Figure 2

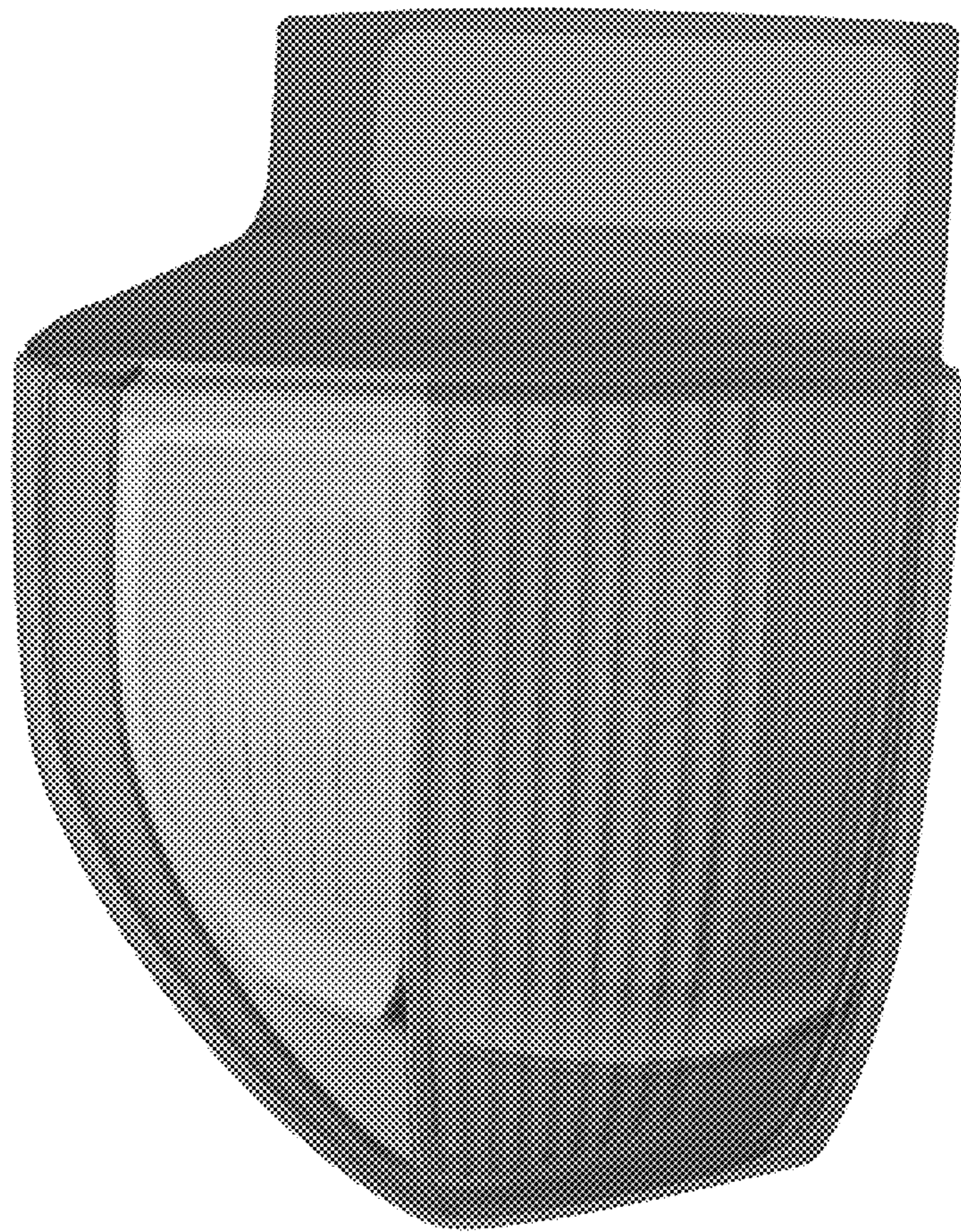


Figure 3

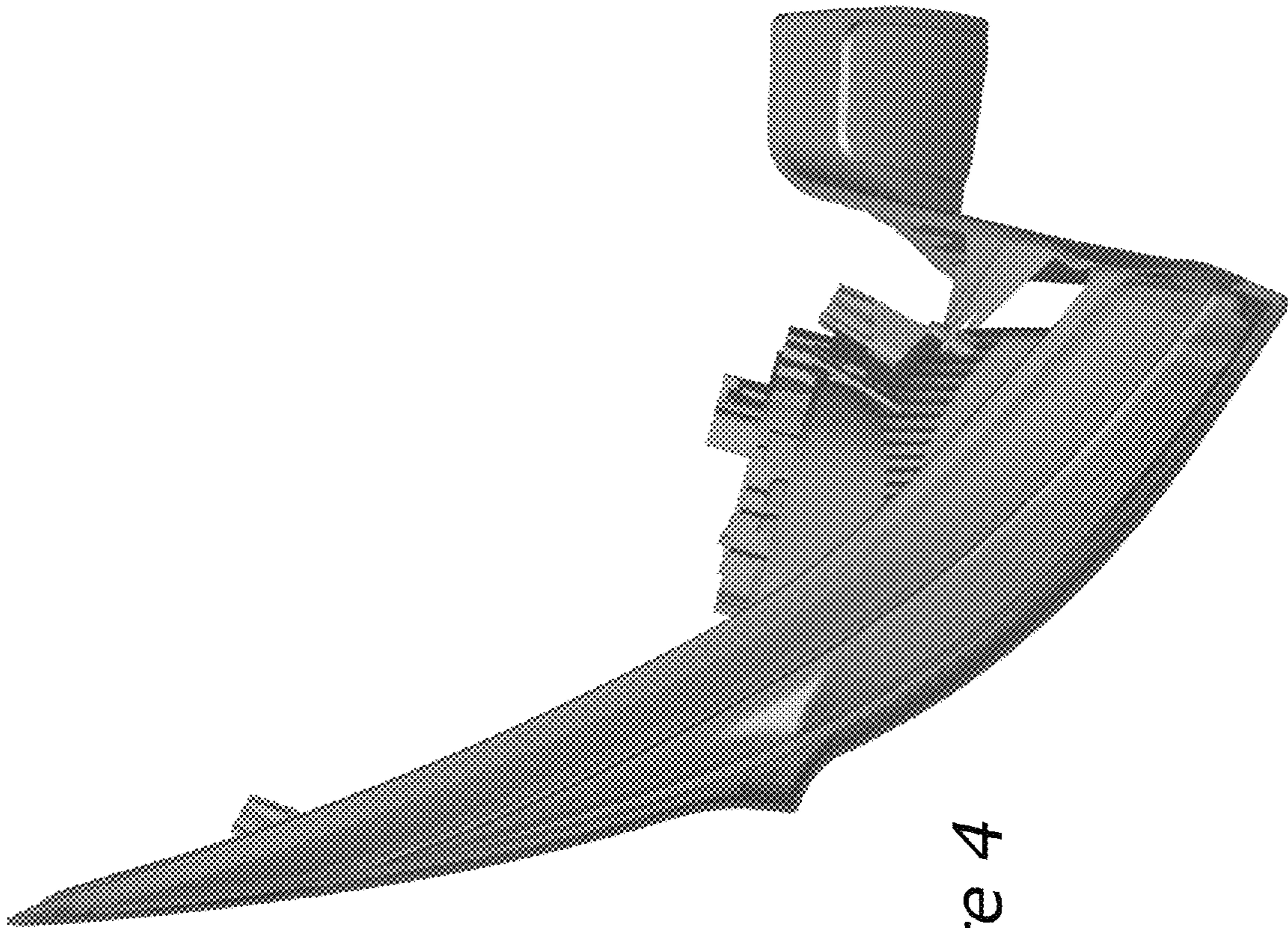


Figure 4

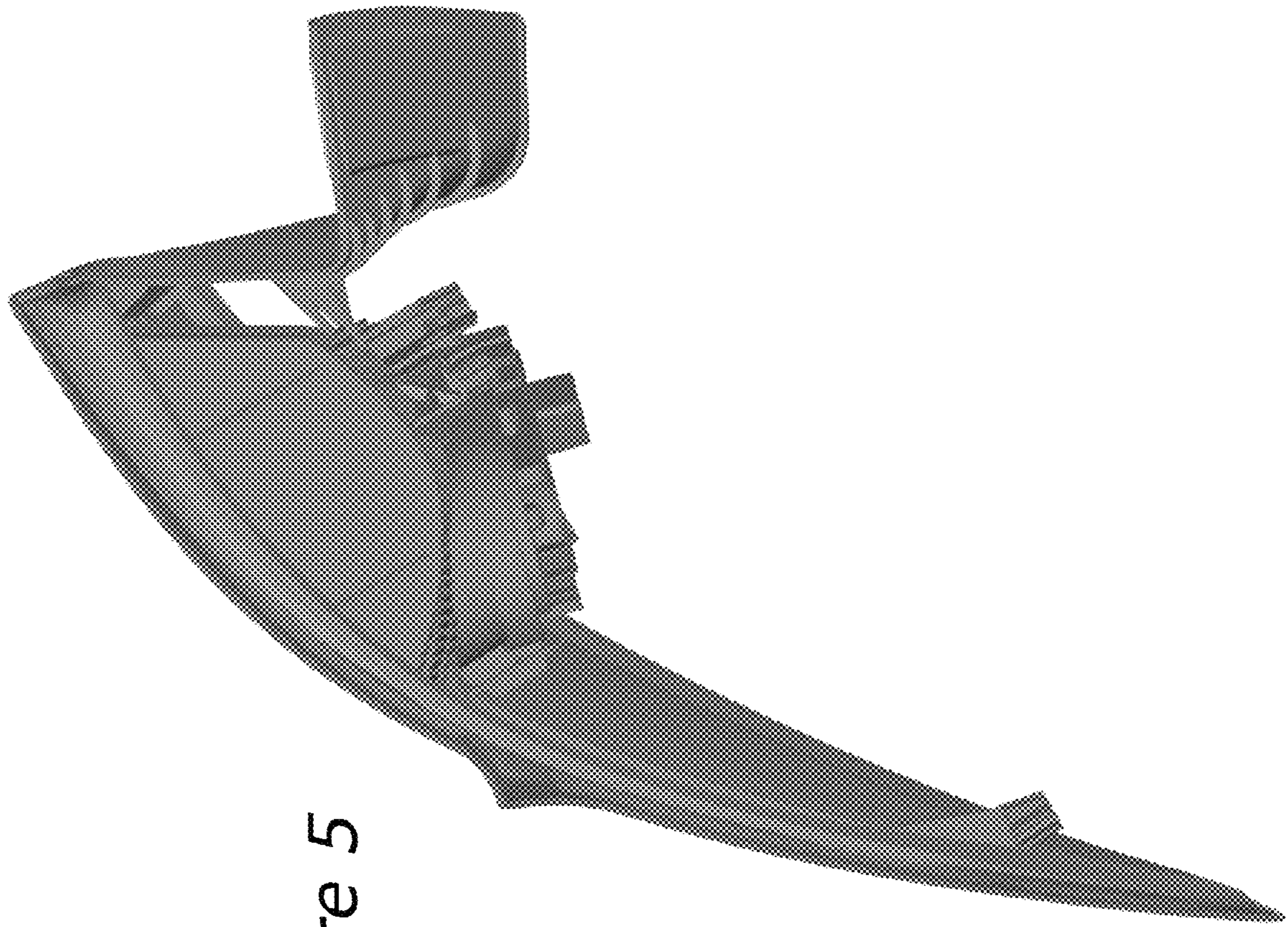


Figure 5

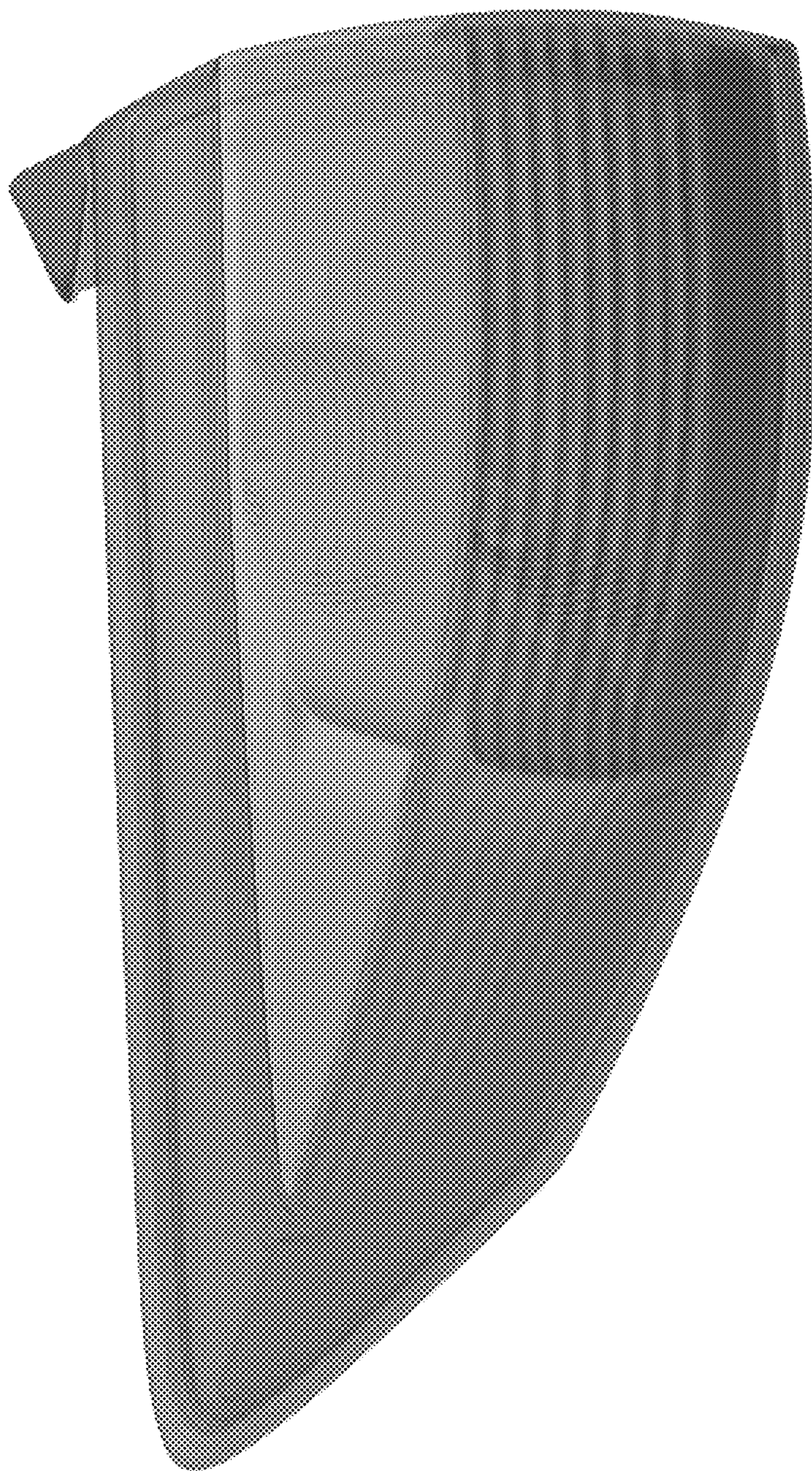


Figure 6



Figure 7