



US00D681242S

(12) **United States Design Patent**
Tsai

(10) **Patent No.:** **US D681,242 S**
(45) **Date of Patent:** **** Apr. 30, 2013**

(54) **VEHICLE LIGHT**

(75) Inventor: **Ming-Hsien Tsai**, Tainan (TW)

(73) Assignee: **Jun Yan Auto Industrial Co., Ltd.**,
Tainan (TW)

(**) Term: **14 Years**

(21) Appl. No.: **29/409,486**

(22) Filed: **Dec. 23, 2011**

(51) **LOC (9) Cl.** **26-06**

(52) **U.S. Cl.**
USPC **D26/28**

(58) **Field of Classification Search** D26/28-36;
362/459-468, 475-478, 485-487
See application file for complete search history.

(56) **References Cited**

U.S. PATENT DOCUMENTS

D538,956 S	*	3/2007	Ishii	D26/28
D542,442 S	*	5/2007	Matsunami	D26/28
D544,614 S	*	6/2007	Markefka	D26/28

D549,855 S	*	8/2007	Moisy et al.	D26/28
D556,349 S	*	11/2007	Golden et al.	D26/28
D561,358 S	*	2/2008	Tachibana	D26/28
D635,694 S	*	4/2011	Yang et al.	D26/28

* cited by examiner

Primary Examiner — Marcus Jackson

(74) *Attorney, Agent, or Firm* — Morton J. Rosenberg

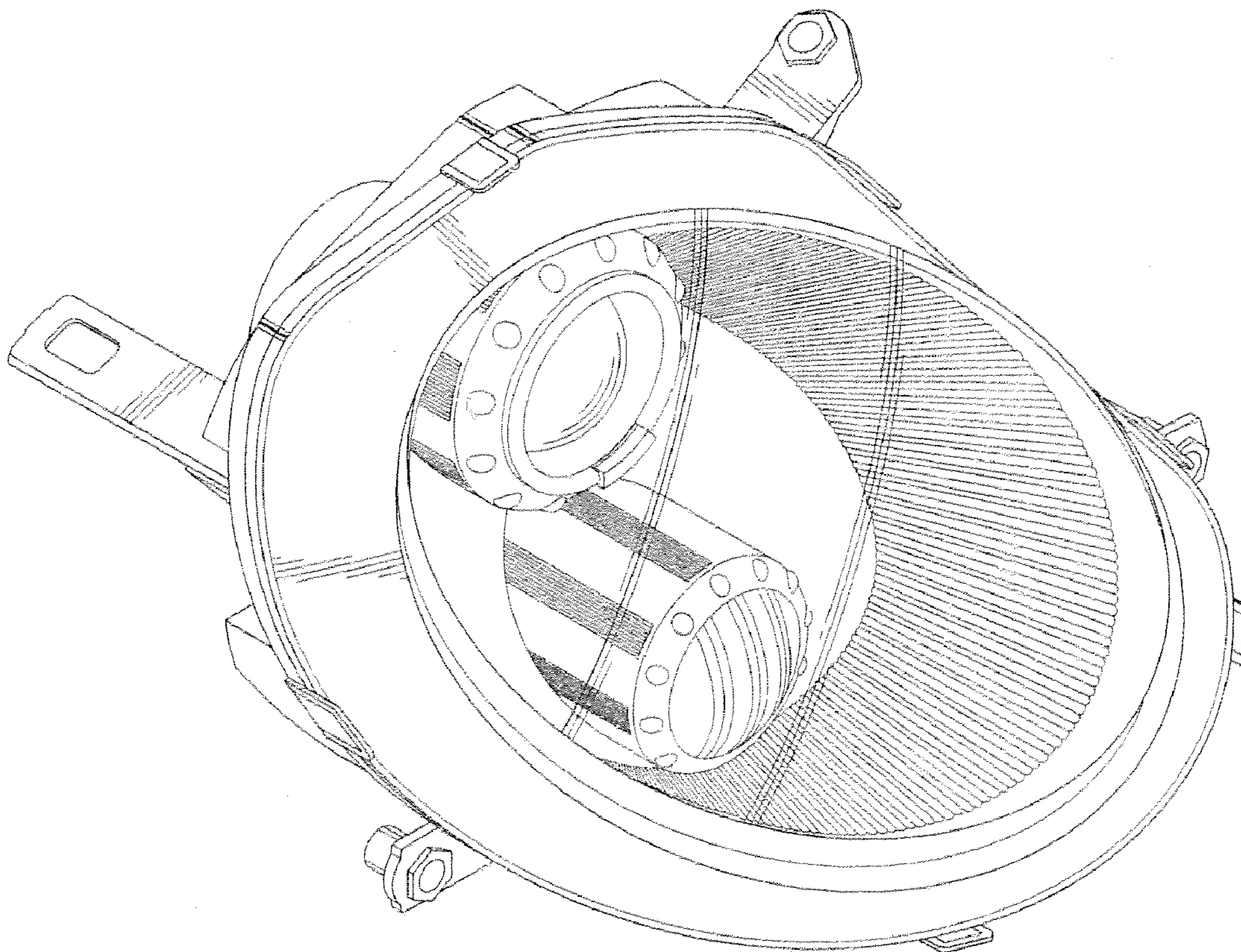
(57) **CLAIM**

The ornamental design for a vehicle light, as shown and described.

DESCRIPTION

FIG. 1 is a perspective view of a vehicle light showing my new design;
FIG. 2 is a front elevational view thereof;
FIG. 3 is a rear elevational view thereof;
FIG. 4 is a left side elevational view thereof;
FIG. 5 is a right side elevational view thereof;
FIG. 6 is a top plan view thereof; and,
FIG. 7 is a bottom plan view thereof.

1 Claim, 7 Drawing Sheets



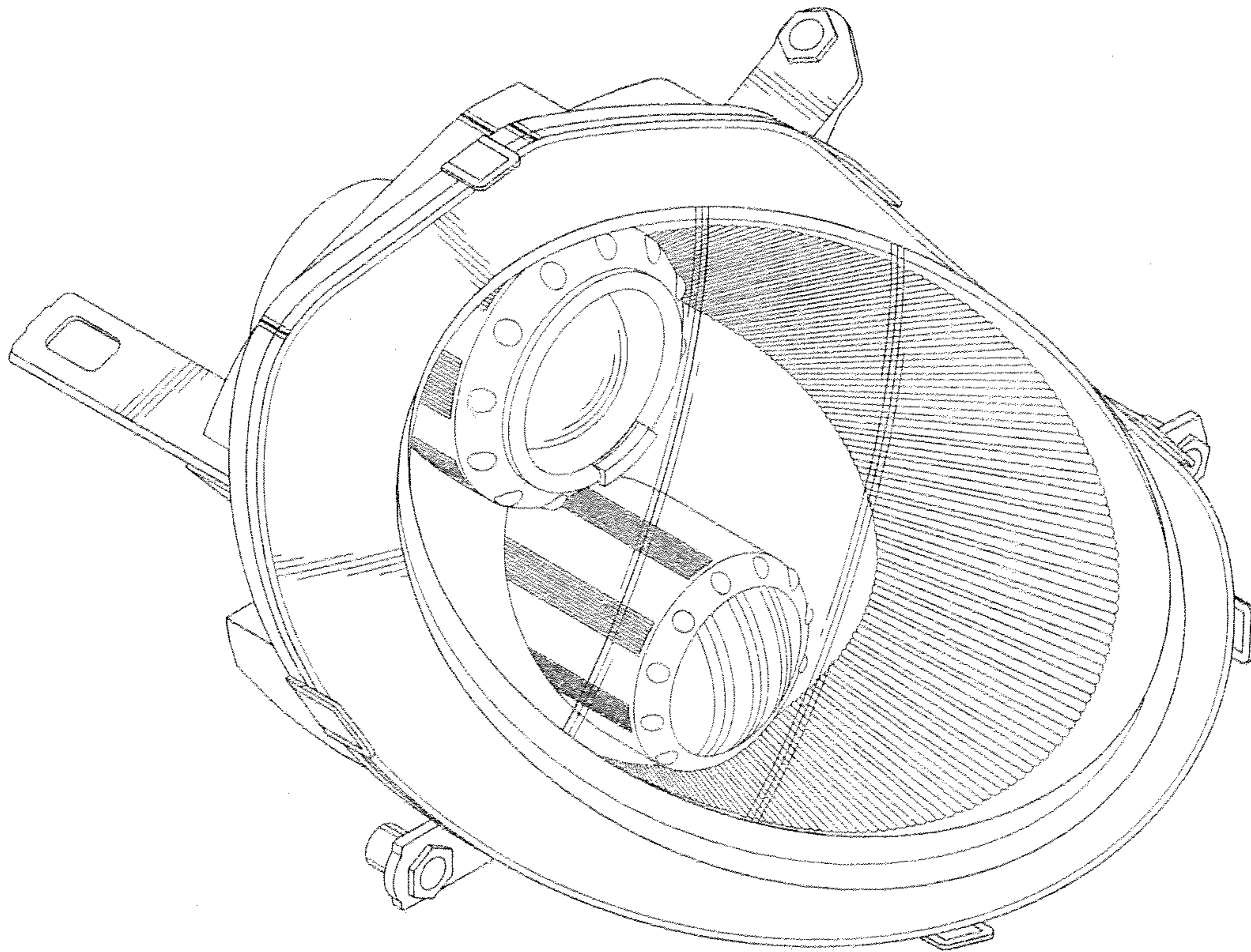


FIG. 1

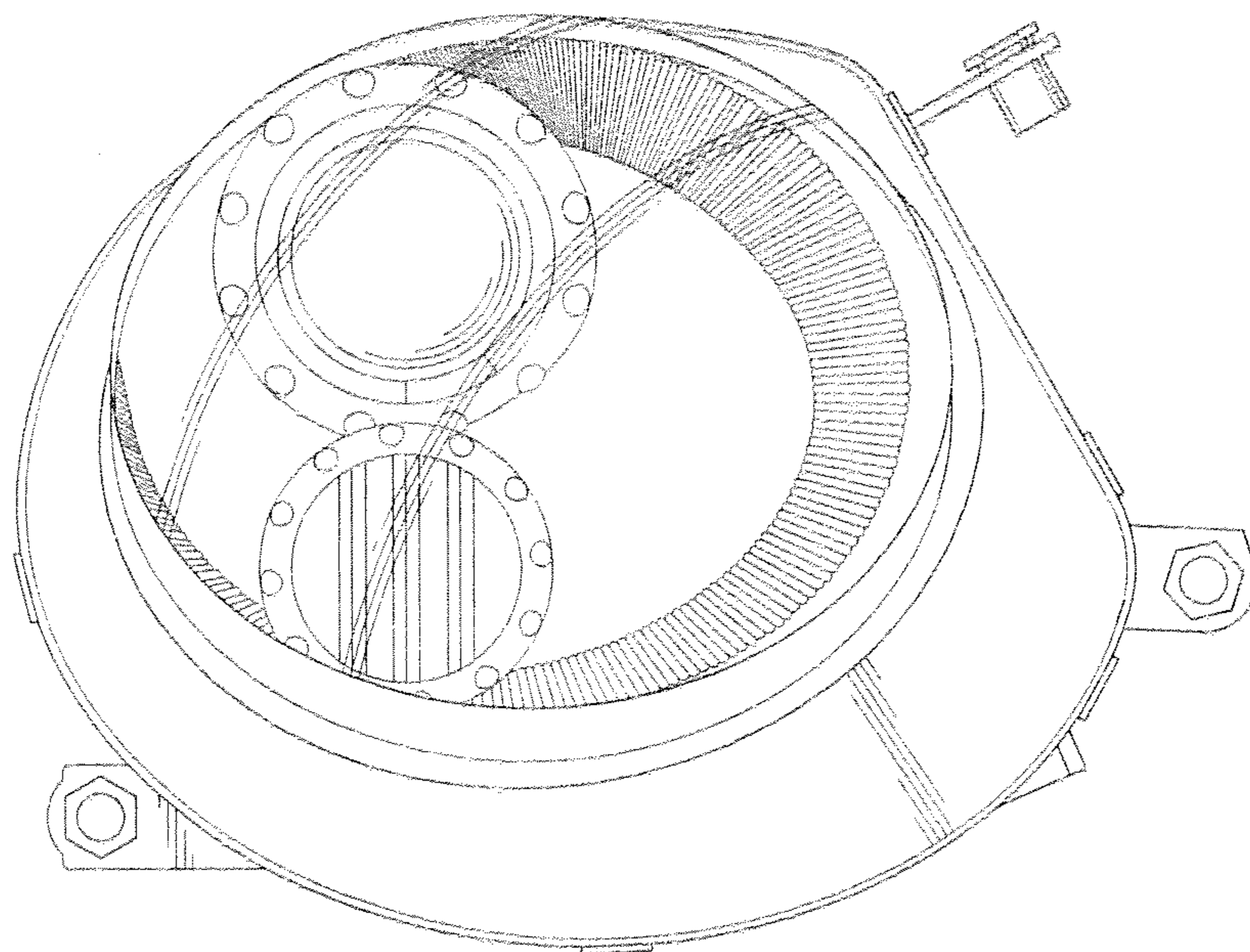


FIG. 2

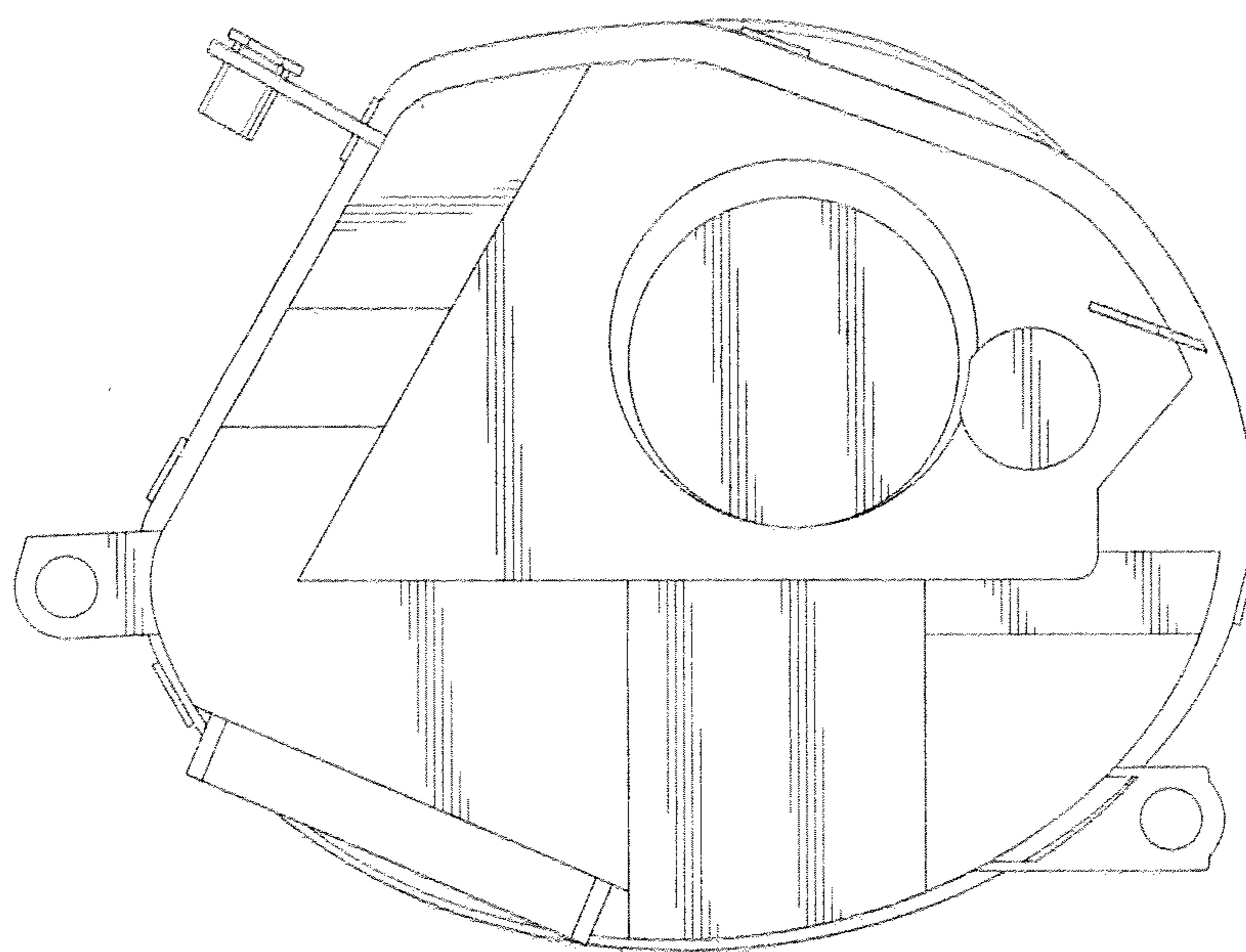


FIG. 3

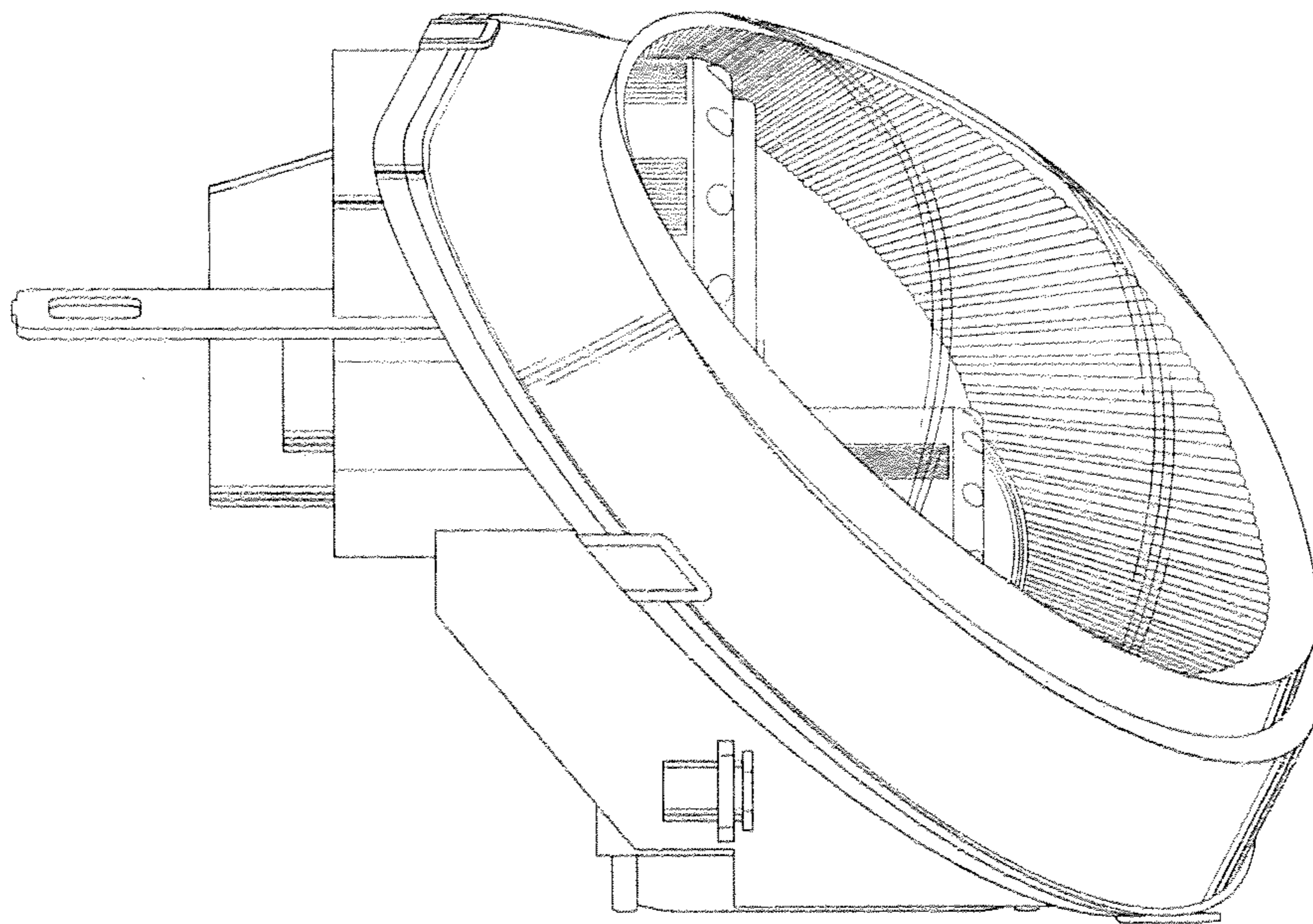


FIG. 4

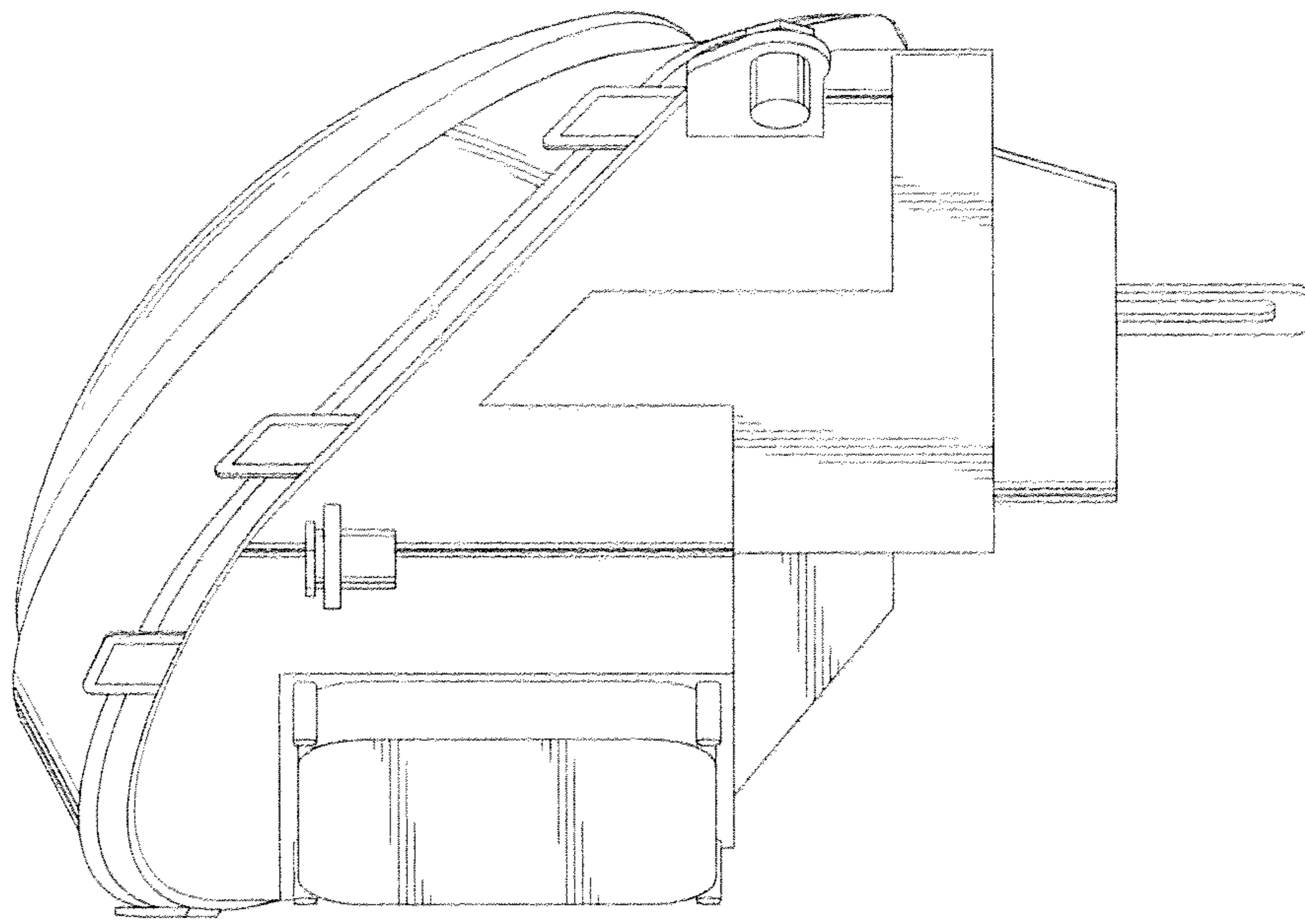


FIG. 5

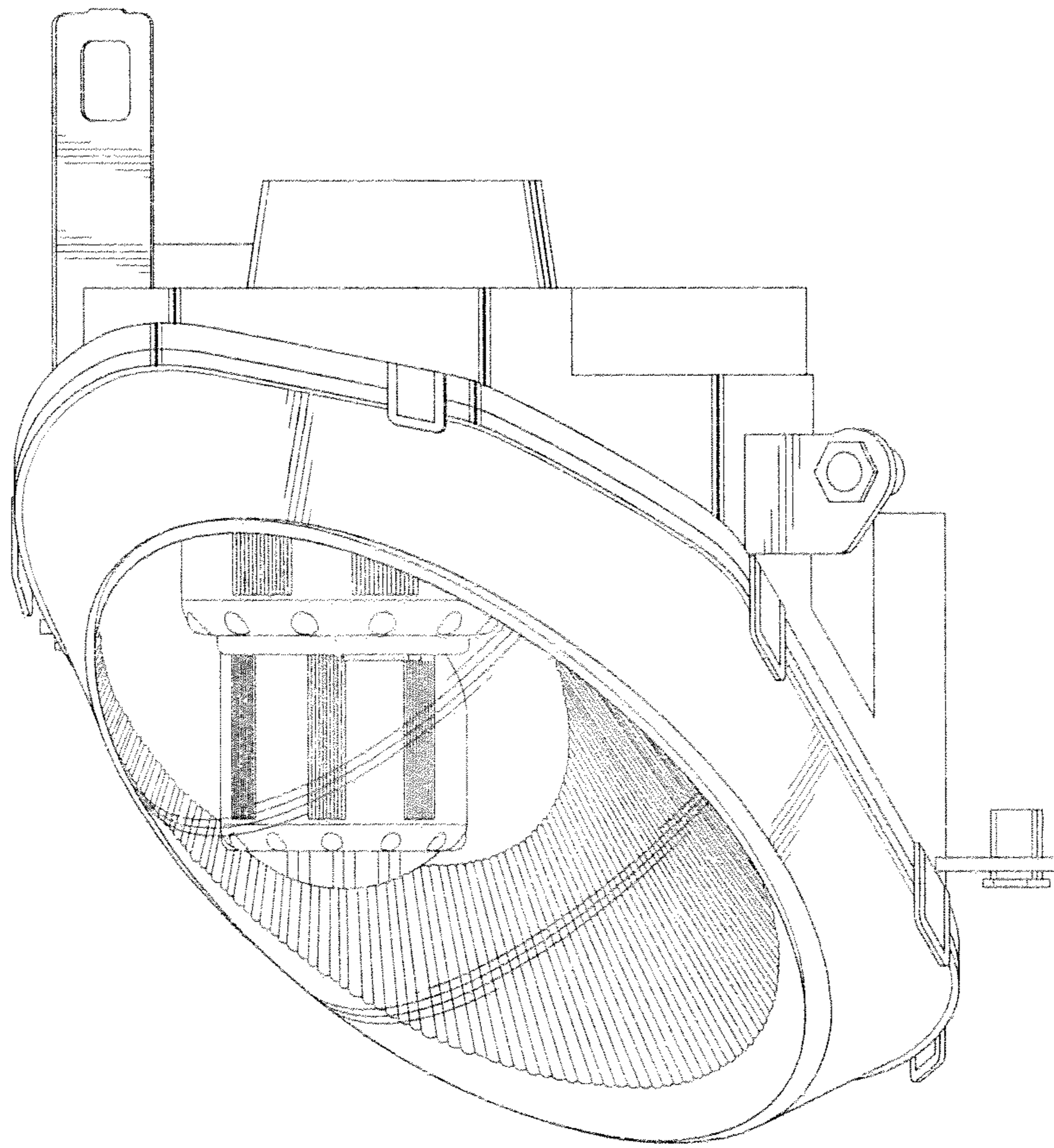


FIG. 6

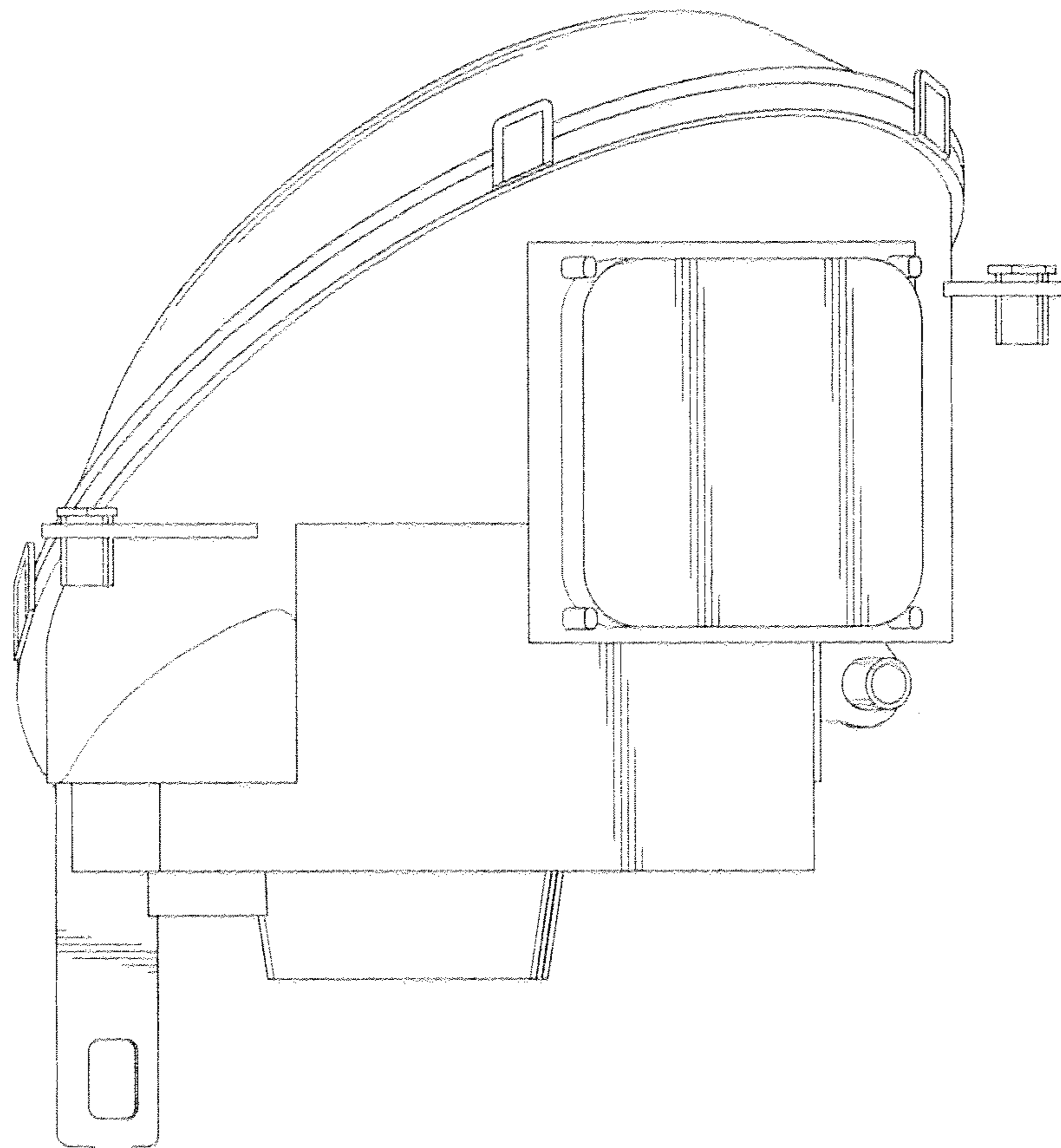


FIG. 7