

US00D681235S

(12) **United States Design Patent**  
**Anderson**

(10) **Patent No.:** **US D681,235 S**

(45) **Date of Patent:** **\*\* Apr. 30, 2013**

(54) **ADJUSTABLE LADDER MOUNTABLE TRAY KIT**

(76) Inventor: **Toby K. Anderson**, Antelope, CA (US)

(\*\*) Term: **14 Years**

(21) Appl. No.: **29/415,915**

(22) Filed: **Mar. 15, 2012**

(51) **LOC (9) Cl.** ..... **25-04**

(52) **U.S. Cl.**  
USPC ..... **D25/68**

(58) **Field of Classification Search** ..... D25/68;  
248/238, 210; 182/116, 119, 129  
See application file for complete search history.

(56) **References Cited**

U.S. PATENT DOCUMENTS

D284,513 S	7/1986	Dyer	
4,874,147 A	10/1989	Ory et al.	
5,123,620 A	6/1992	Bourne	
D340,291 S *	10/1993	Bartnicki et al.	D25/68
D346,655 S *	5/1994	Harris	D24/128
D363,995 S	11/1995	Mollenhauer	
5,873,433 A	2/1999	Katz	
5,913,380 A	6/1999	Gugel et al.	
5,967,259 A *	10/1999	Williams	182/129
6,148,958 A *	11/2000	Ahl et al.	182/129
6,341,666 B1 *	1/2002	Allen	182/129

6,467,577 B1	10/2002	Charlebois, Jr.	
6,824,115 B1 *	11/2004	Batson	248/238
7,000,876 B2	2/2006	Searcy	
7,270,307 B2 *	9/2007	Zodnik	248/238
2004/0217241 A1	11/2004	Searcy	
2006/0192063 A1	8/2006	Angotti	

\* cited by examiner

*Primary Examiner* — Doris Clark

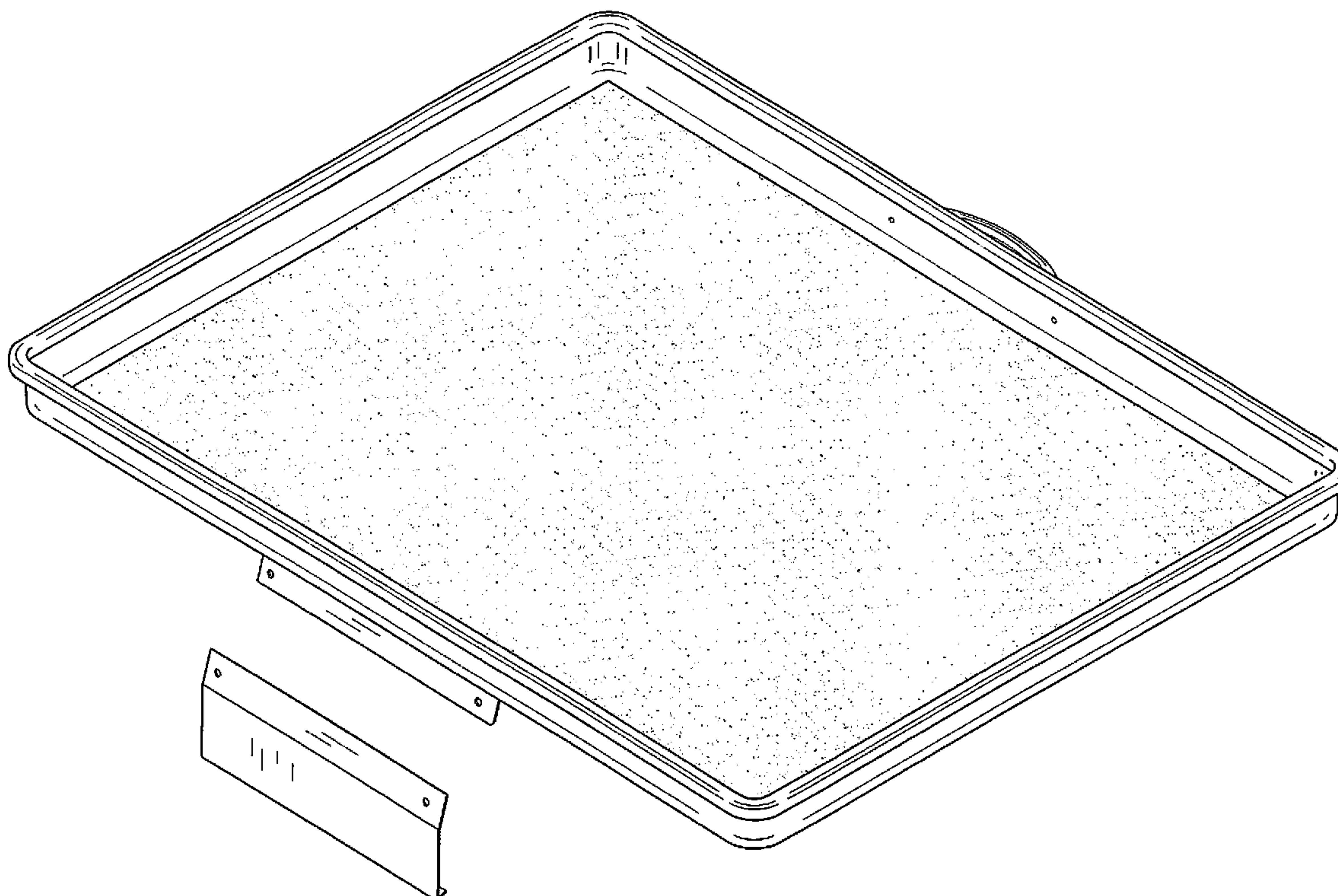
(57) **CLAIM**

The ornamental design for a adjustable ladder mountable tray kit, as shown and described.

**DESCRIPTION**

FIG. 1 is a top plan view of an adjustable ladder mountable tray kit showing my new design;  
 FIG. 2 is a bottom plan view of the adjustable ladder mountable tray kit;  
 FIG. 3 is a side elevated view of the adjustable ladder mountable tray kit;  
 FIG. 4 is a front elevate view of the adjustable ladder mountable tray kit;  
 FIG. 5 is a rear elevated view of the adjustable ladder mountable tray kit; and,  
 FIG. 6 is a top perspective view of the adjustable ladder mountable tray kit.

**1 Claim, 5 Drawing Sheets**



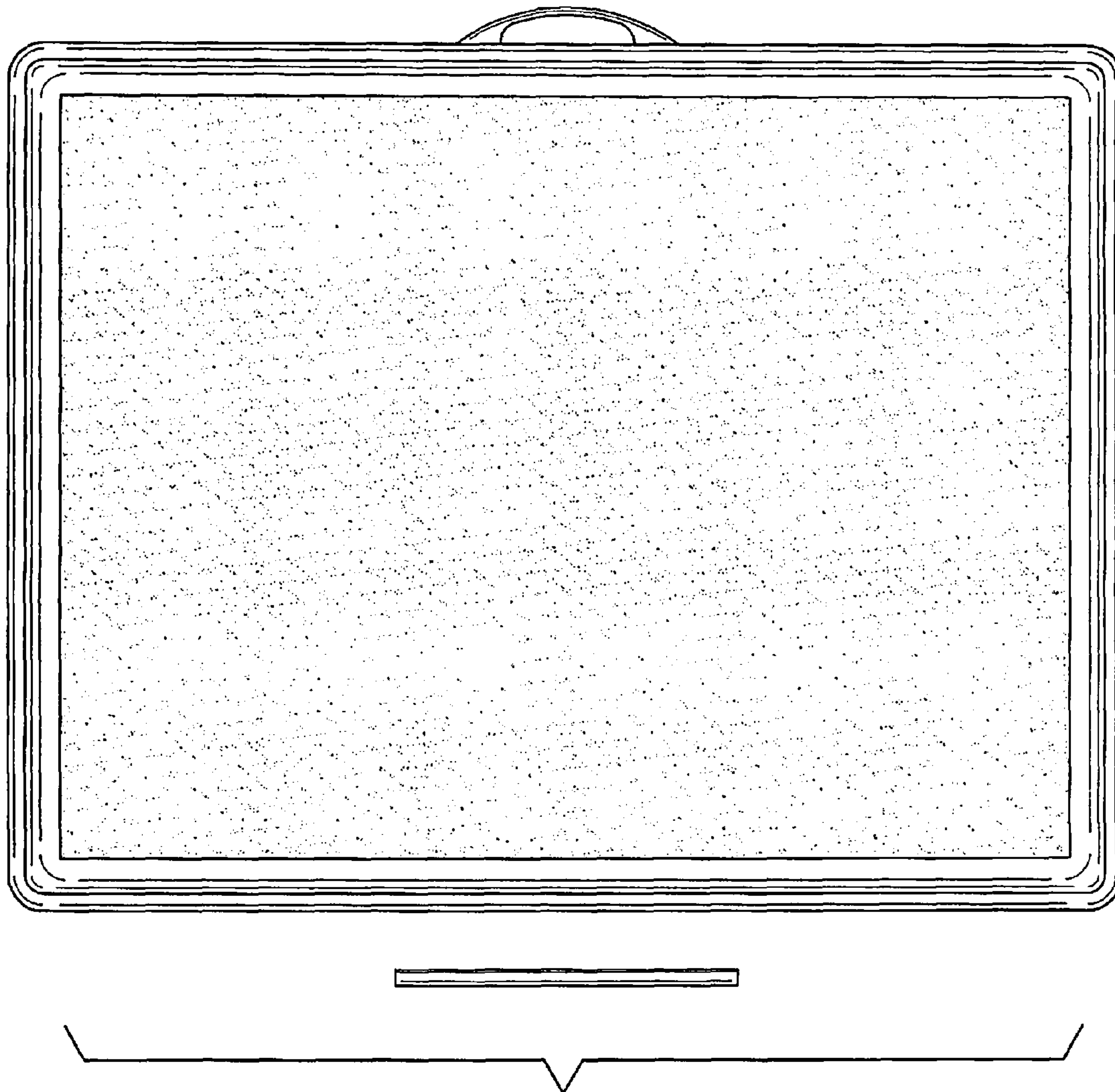


FIG. 1

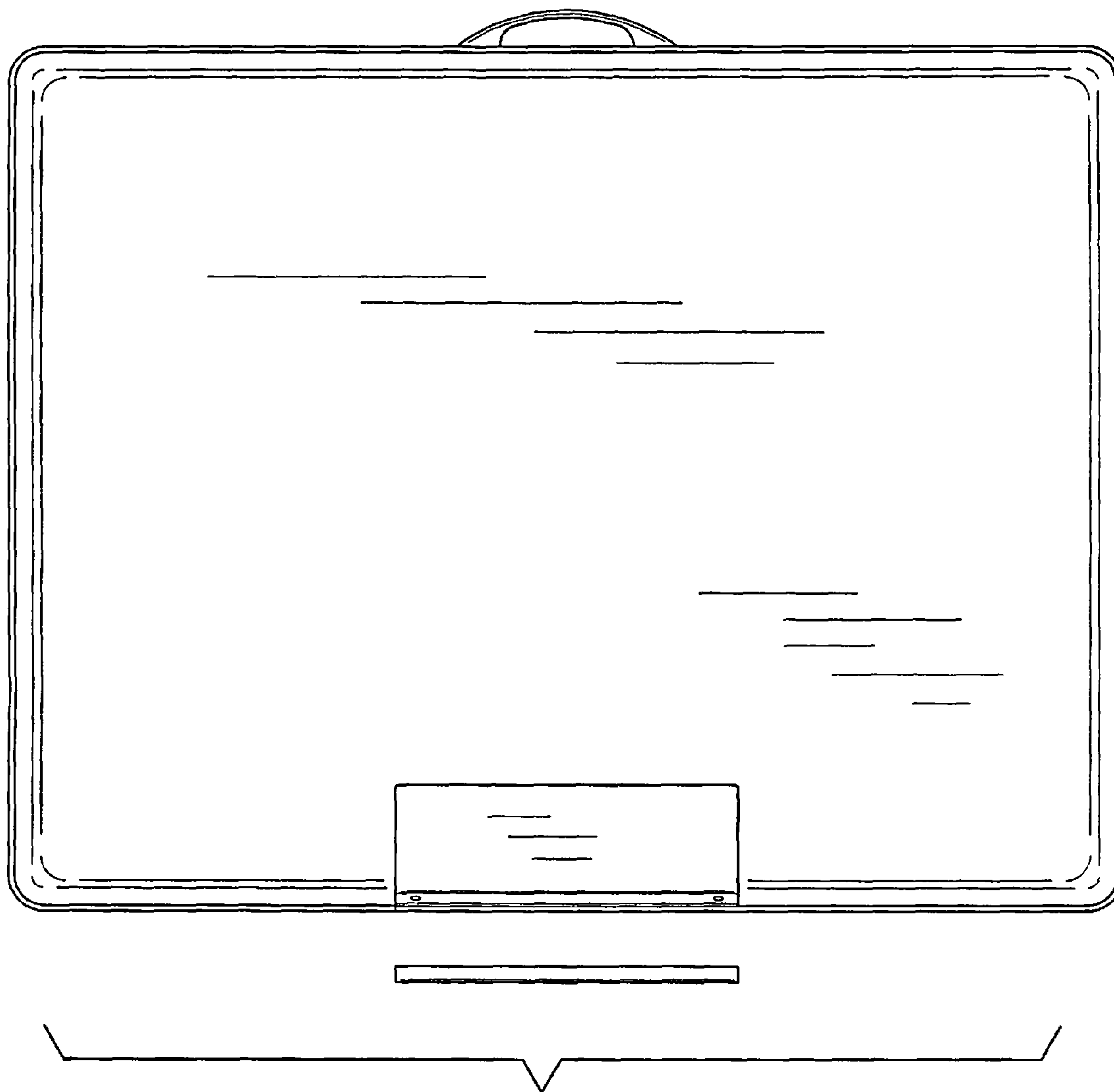


FIG. 2

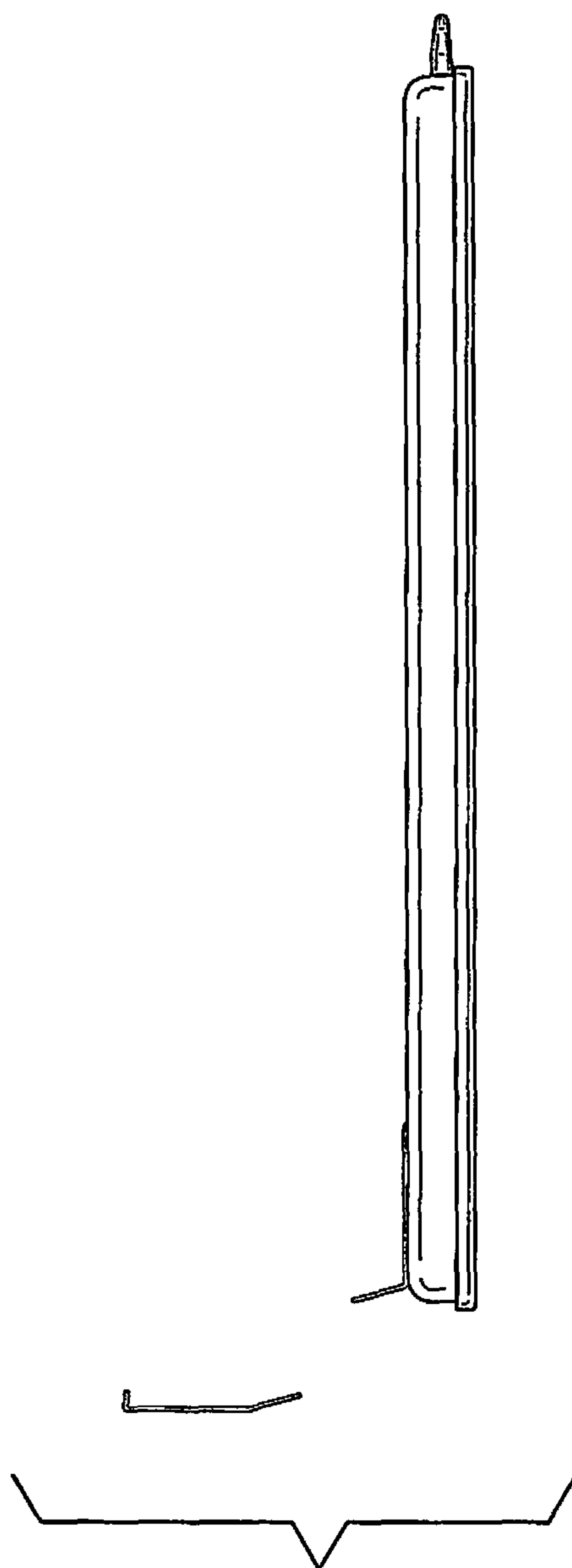


FIG. 3

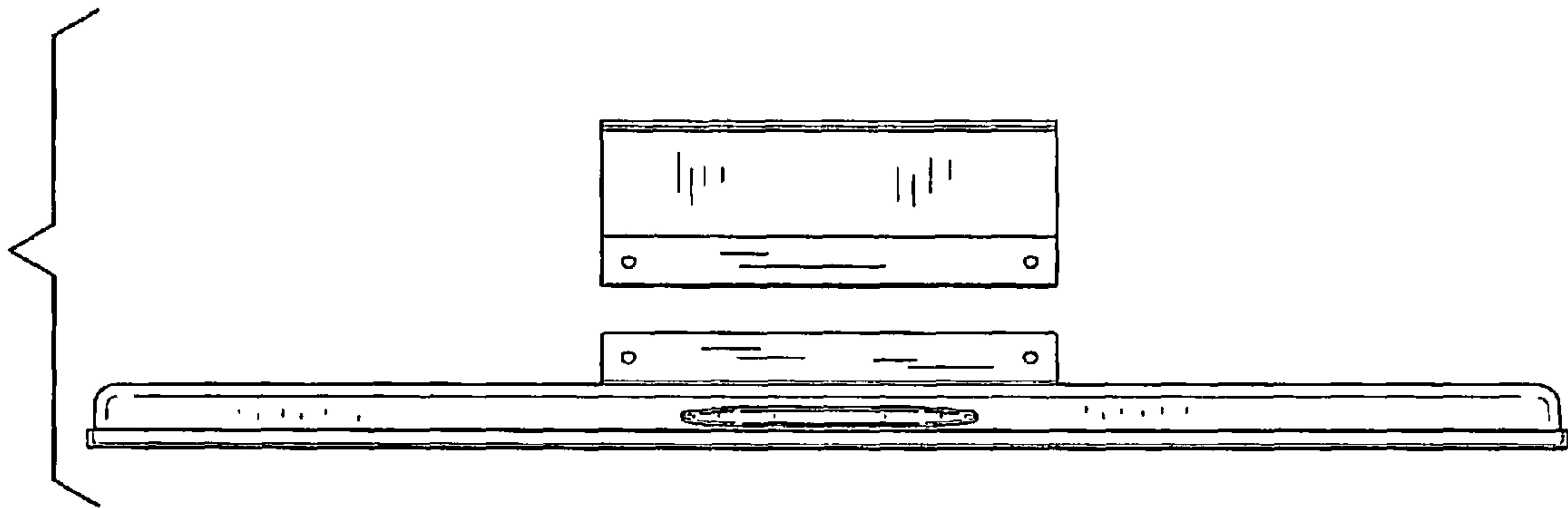


FIG. 4

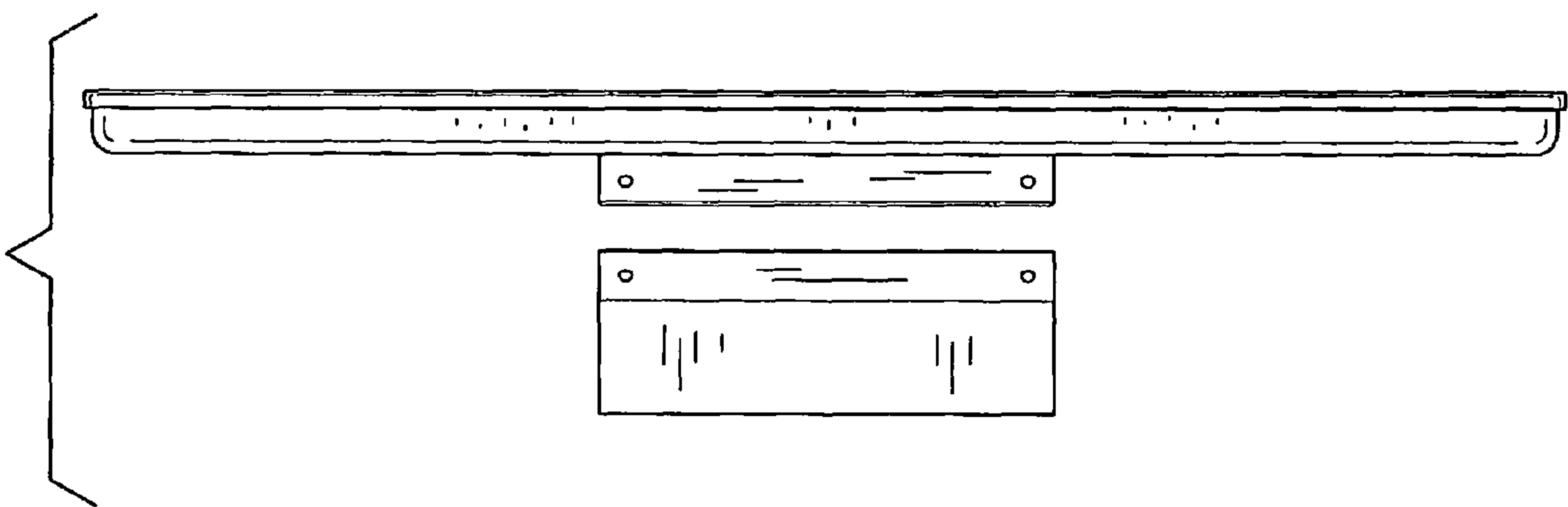


FIG. 5



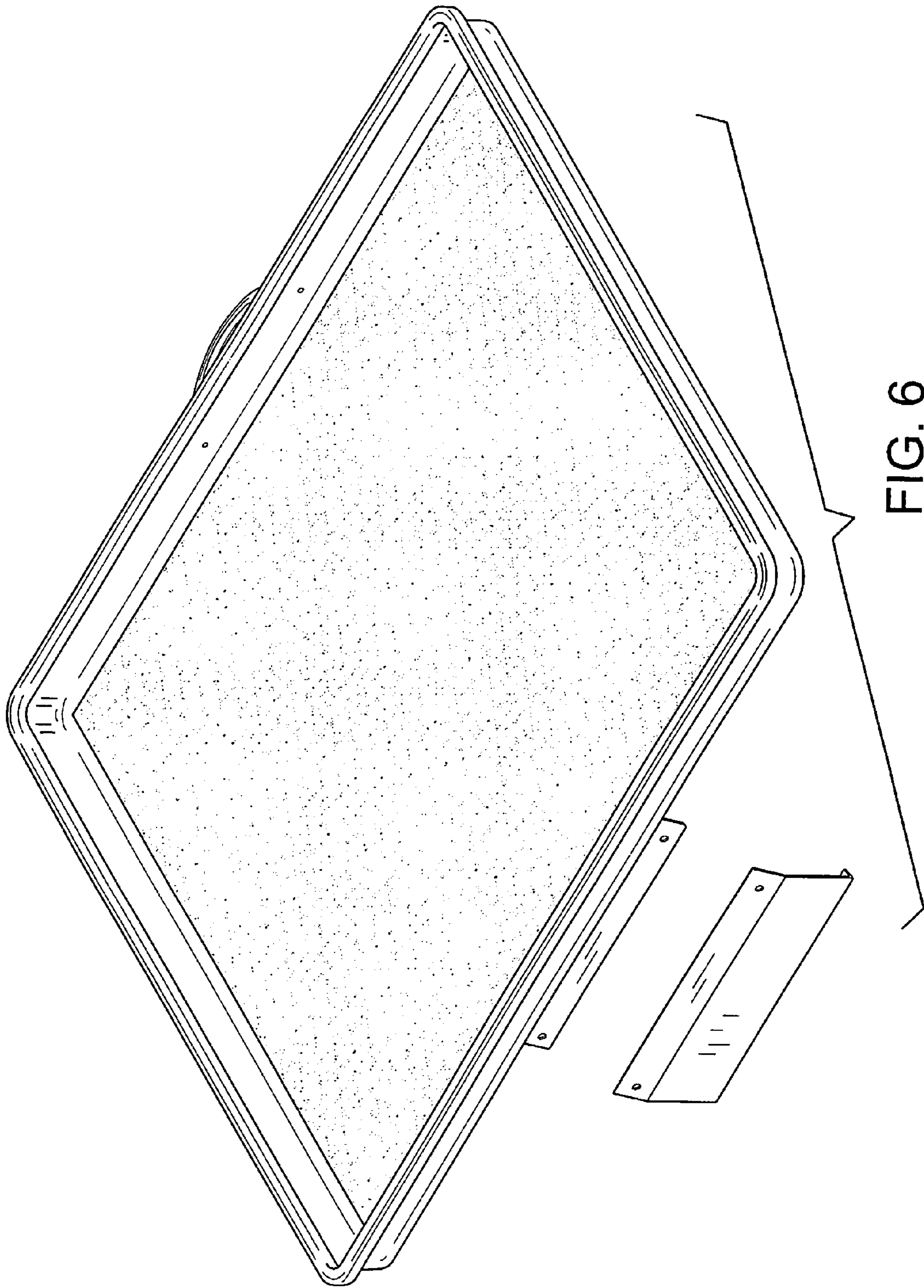


FIG. 6