



US00D681234S

(12) **United States Design Patent**
Benarieh et al.

(10) **Patent No.:** **US D681,234 S**
(45) **Date of Patent:** **** Apr. 30, 2013**

(54) **ELECTROPHORESIS DEVICE**

(75) Inventors: **Ronen Benarieh**, Kibotz (IL); **Gustavo Turkieltaub**, Tel Aviv (IL); **Andres Wainstein**, Tel Aviv (IL)

(73) Assignee: **Life Technologies Corporation**, Carlsbad, CA (US)

(**) Term: **14 Years**

(21) Appl. No.: **29/427,864**

(22) Filed: **Jul. 23, 2012**

Related U.S. Application Data

(62) Division of application No. 29/393,552, filed on Jun. 6, 2011, now Pat. No. Des. 666,737.

(51) **LOC (9) Cl.** **24-01**

(52) **U.S. Cl.**
USPC **D24/233**

(58) **Field of Classification Search** D24/232–233;
204/450–451, 456, 461–462, 465–466, 554,
204/600, 606–607, 608, 612, 615–616, 619–621;
249/129; 439/509, 911
See application file for complete search history.

(56) **References Cited**

U.S. PATENT DOCUMENTS

4,830,725	A	5/1989	Berninger et al.	
D315,952	S	4/1991	Berninger et al.	
5,106,472	A *	4/1992	Guadagno	204/466
5,242,568	A *	9/1993	Ehr et al.	204/607
D353,465	S *	12/1994	Arioka et al.	D24/232
5,433,837	A	7/1995	Brunk et al.	
5,449,446	A *	9/1995	Verma et al.	204/612
6,036,021	A	3/2000	Moi	
D516,733	S *	3/2006	Pedraza et al.	D24/233
D524,948	S *	7/2006	Pedraza et al.	D24/233

D561,349	S	2/2008	Levin	
D571,480	S	6/2008	Beck et al.	
D645,975	S *	9/2011	Barkey	D24/232
D666,737	S *	9/2012	Benarieh et al.	D24/233
2012/0024707	A1 *	2/2012	Ohura et al.	204/603

OTHER PUBLICATIONS

IVGN Brochure, BMB Conference in Kobe, Japan, Dec. 7-9, 2010.
IVGN Brochure, English Translation of BMB Conference in Kobe, Japan, Dec. 7-9, 2010.

* cited by examiner

Primary Examiner — Wan Laymon

(57) **CLAIM**

The ornamental design for an electrophoresis device, as shown and described.

DESCRIPTION

FIG. 1 is a front and side perspective view of an electrophoresis device for performing electrophoresis of nucleic acids, and visualization, imaging and/or analysis thereof, according to our design;

FIG. 2 is a front view of the electrophoresis device of FIG. 1; FIG. 3 is a back view of the electrophoresis device of FIG. 1; FIG. 4 is a right side view of the electrophoresis device of FIG. 1;

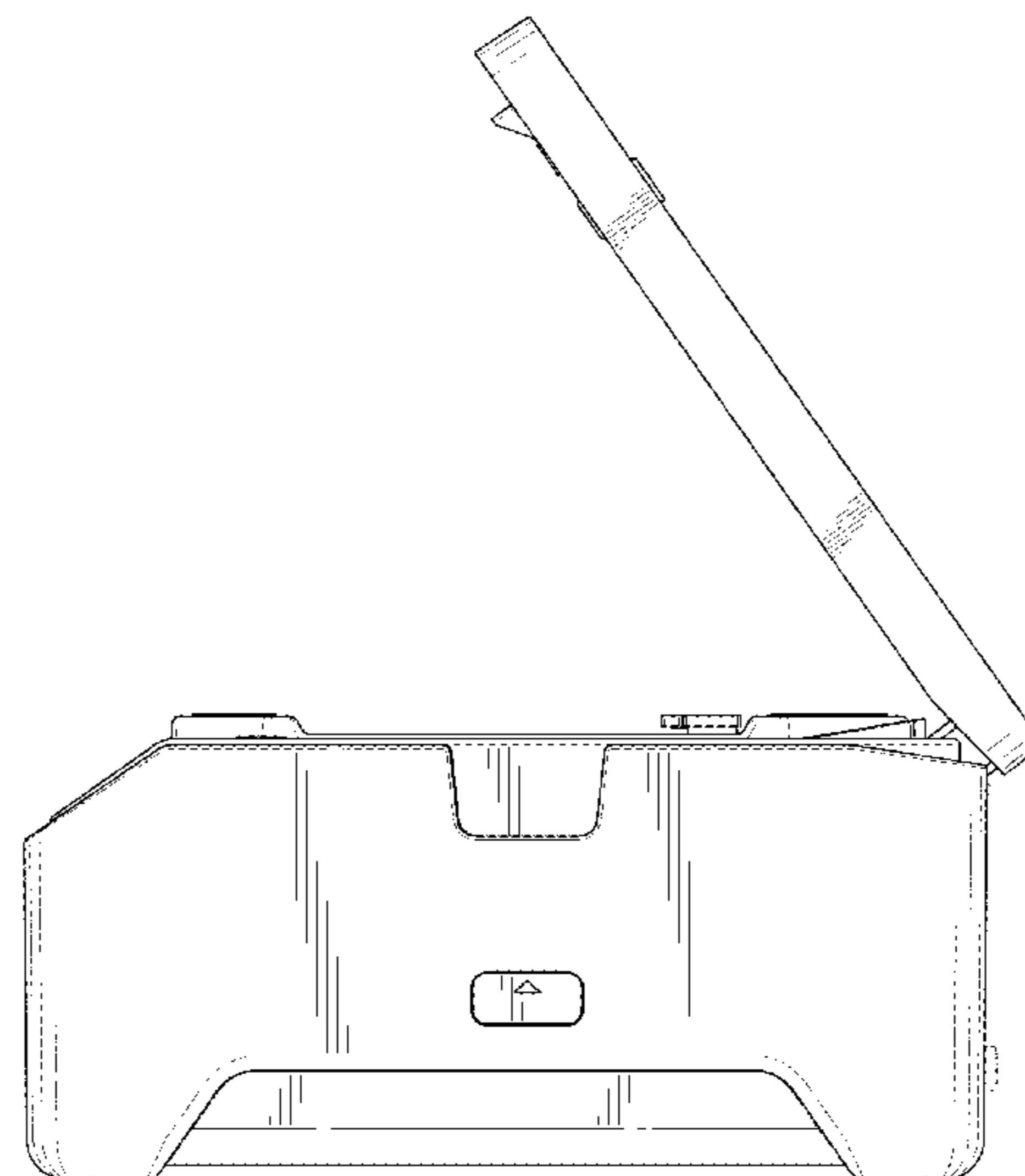
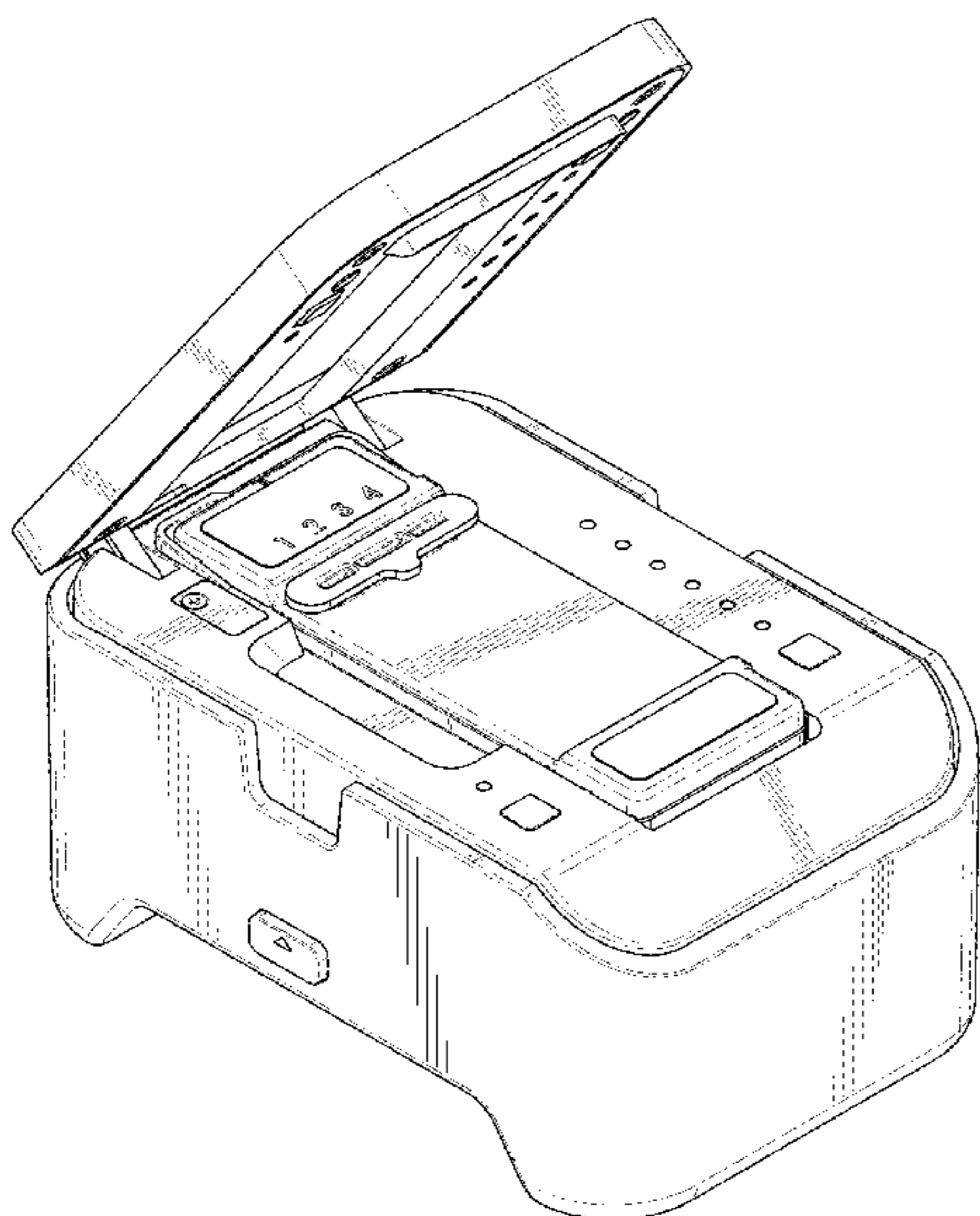
FIG. 5 is a left side view of the electrophoresis device of FIG. 1;

FIG. 6 is a top side view of the electrophoresis device of FIG. 1; and,

FIG. 7 is a bottom view of the electrophoresis device of FIG. 1.

Portions of the electrophoresis device shown in broken lines form no part of the claimed design.

1 Claim, 7 Drawing Sheets



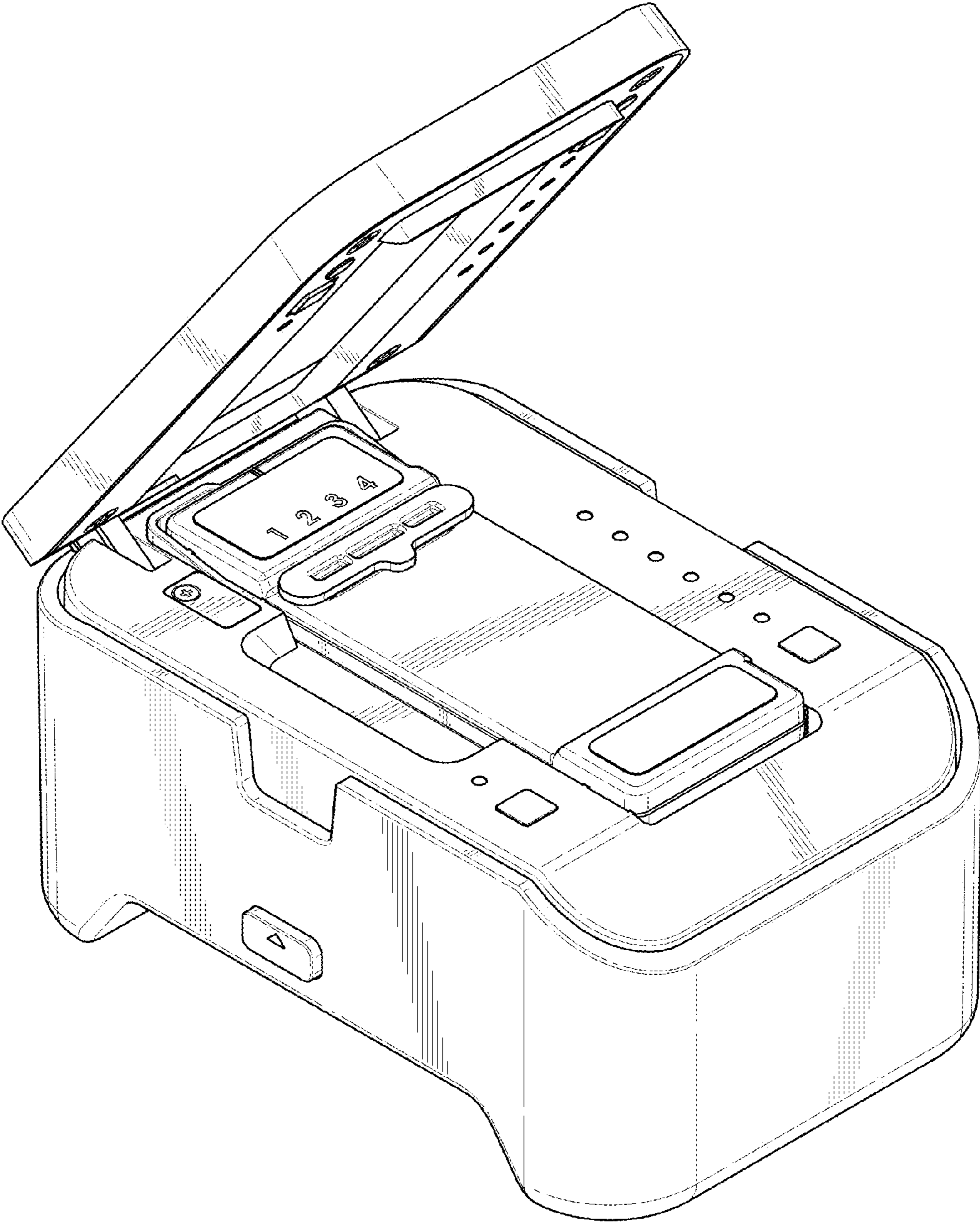


FIG. 1

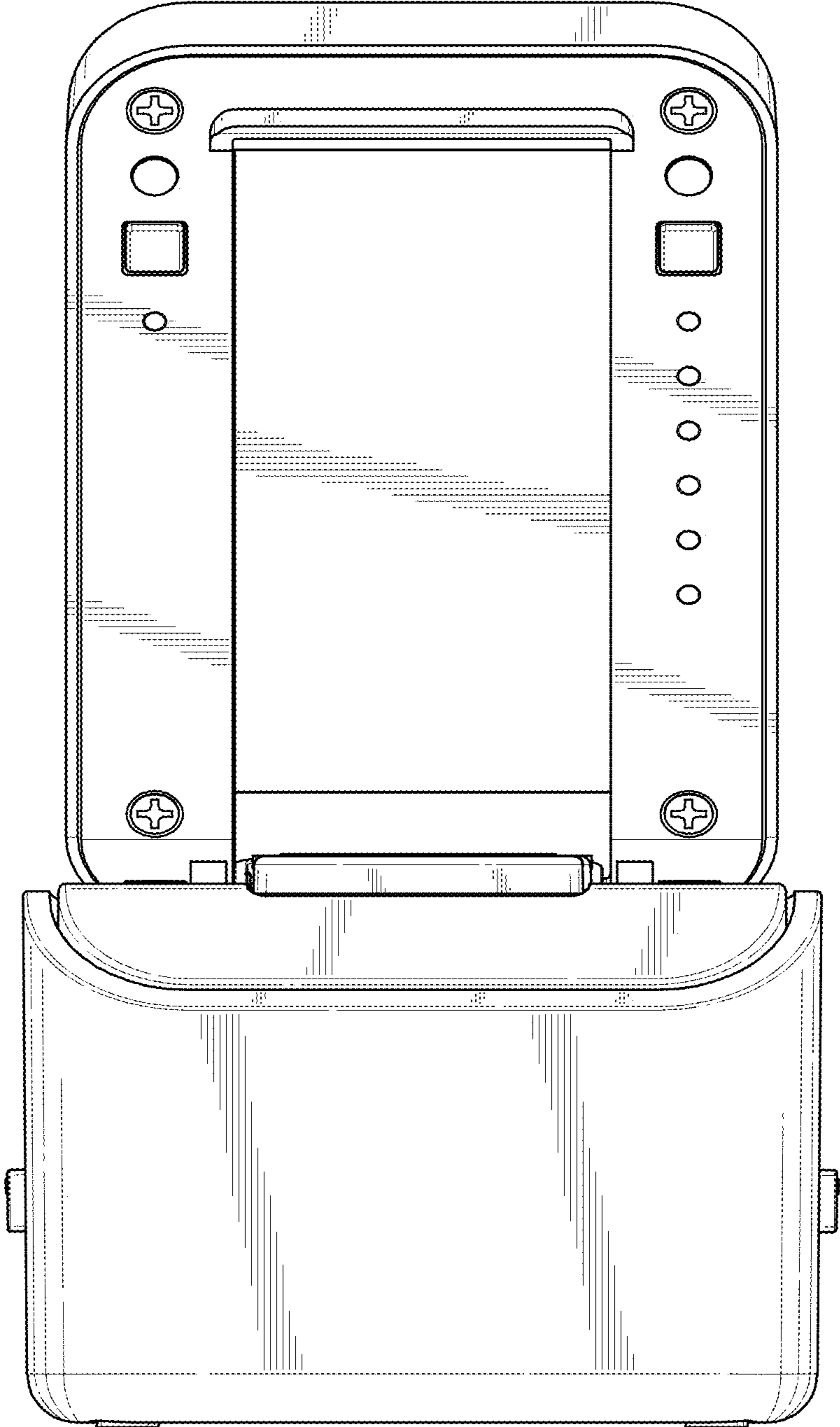


FIG. 2

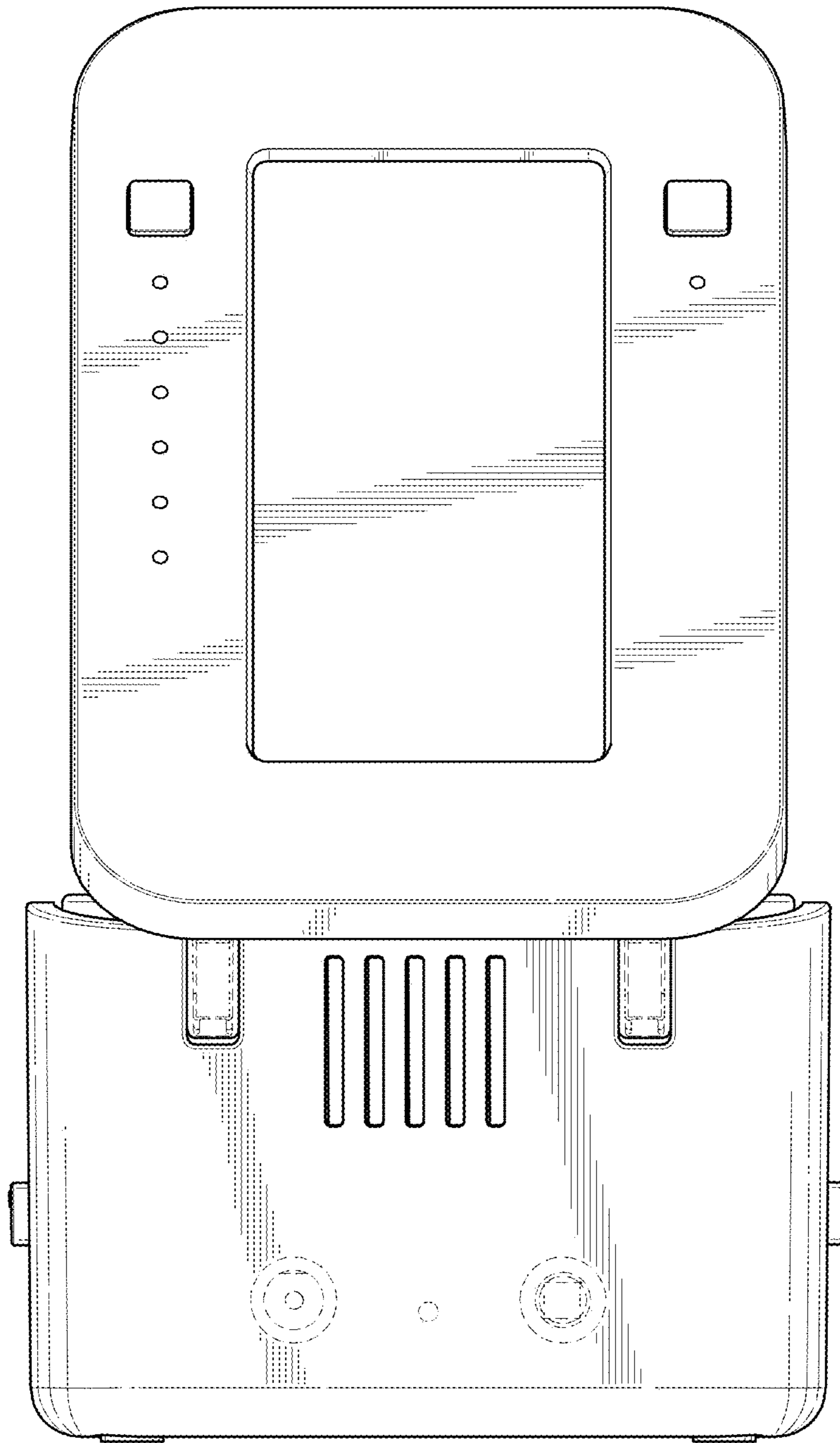


FIG. 3

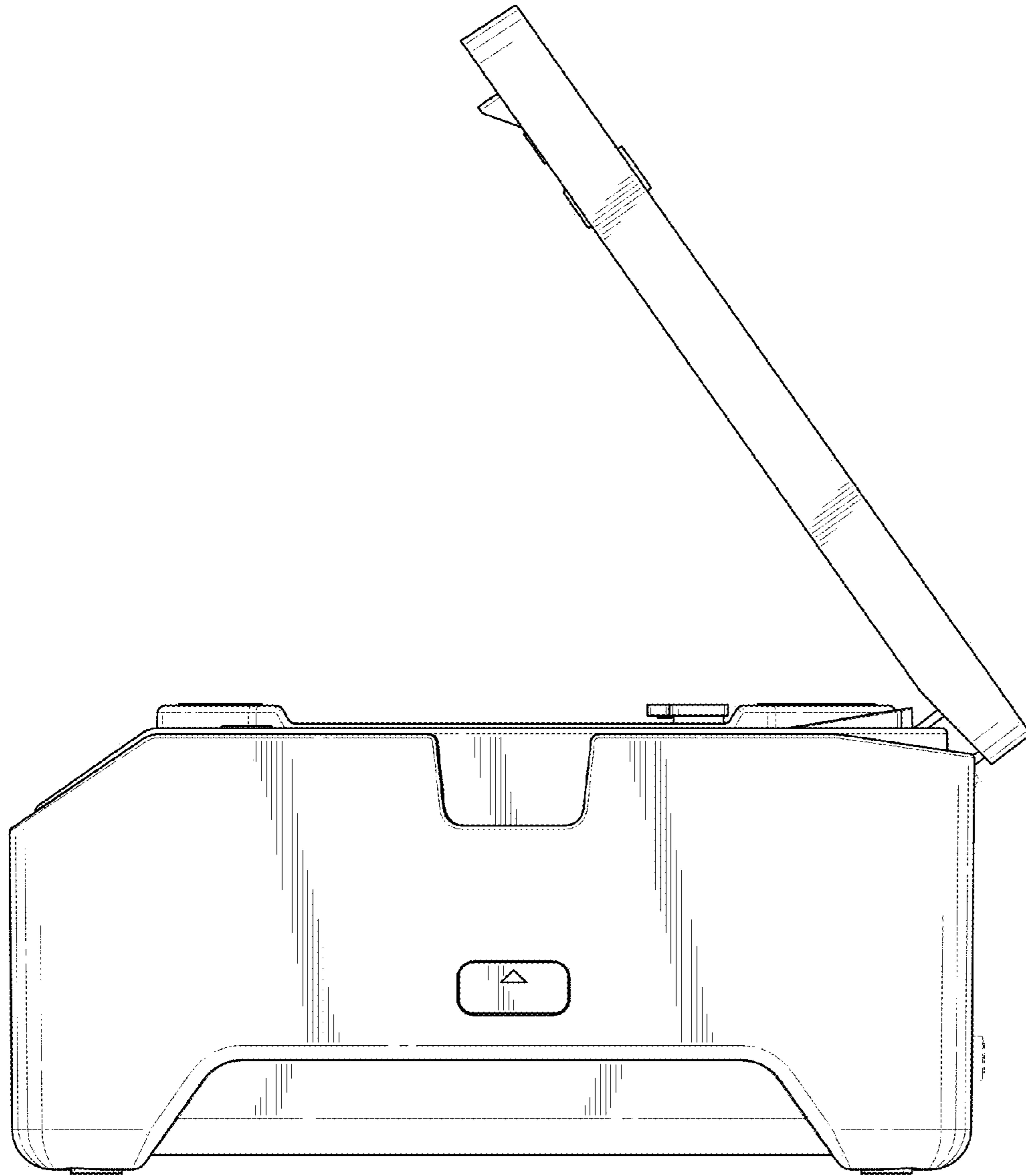


FIG. 4

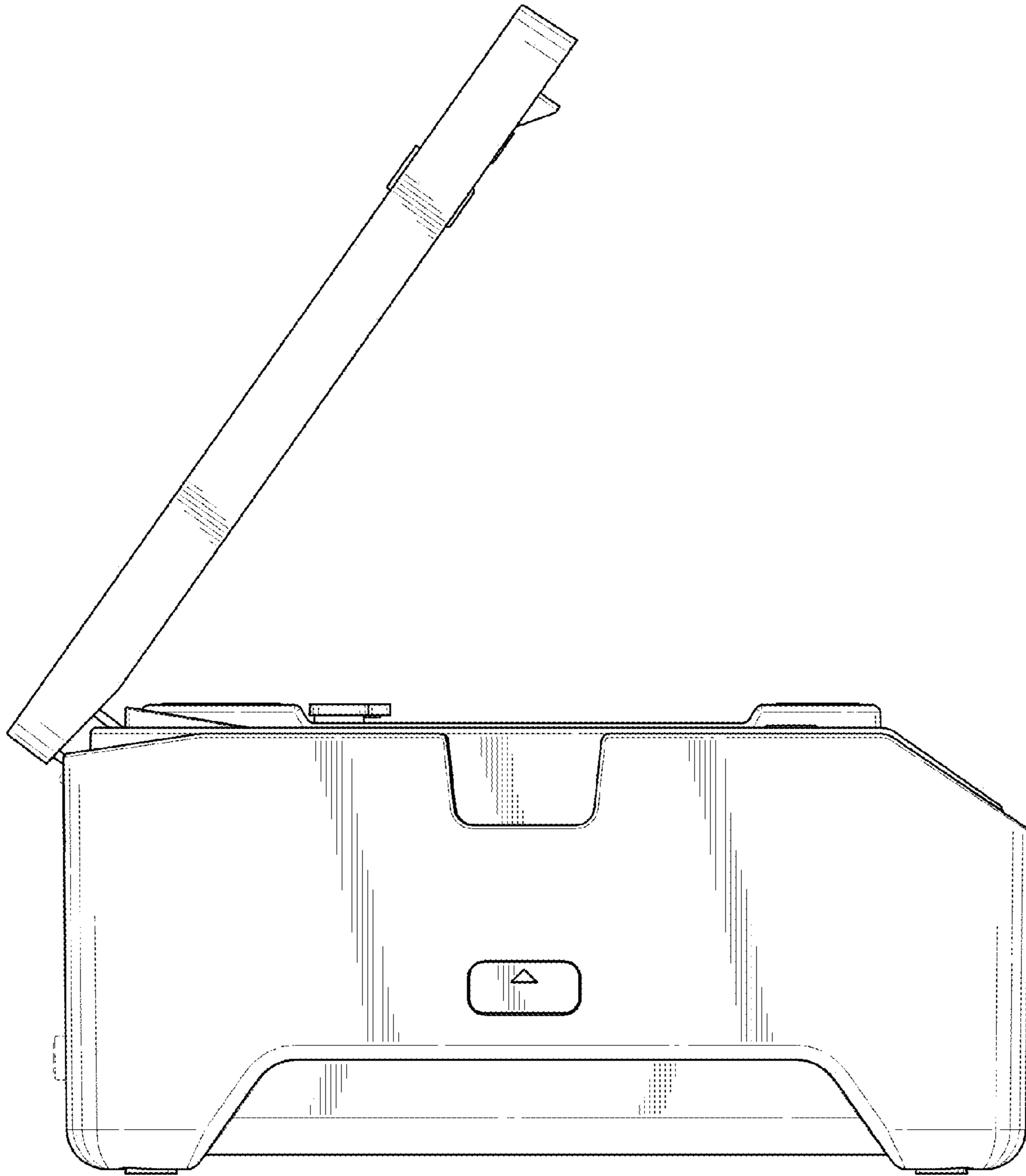


FIG. 5

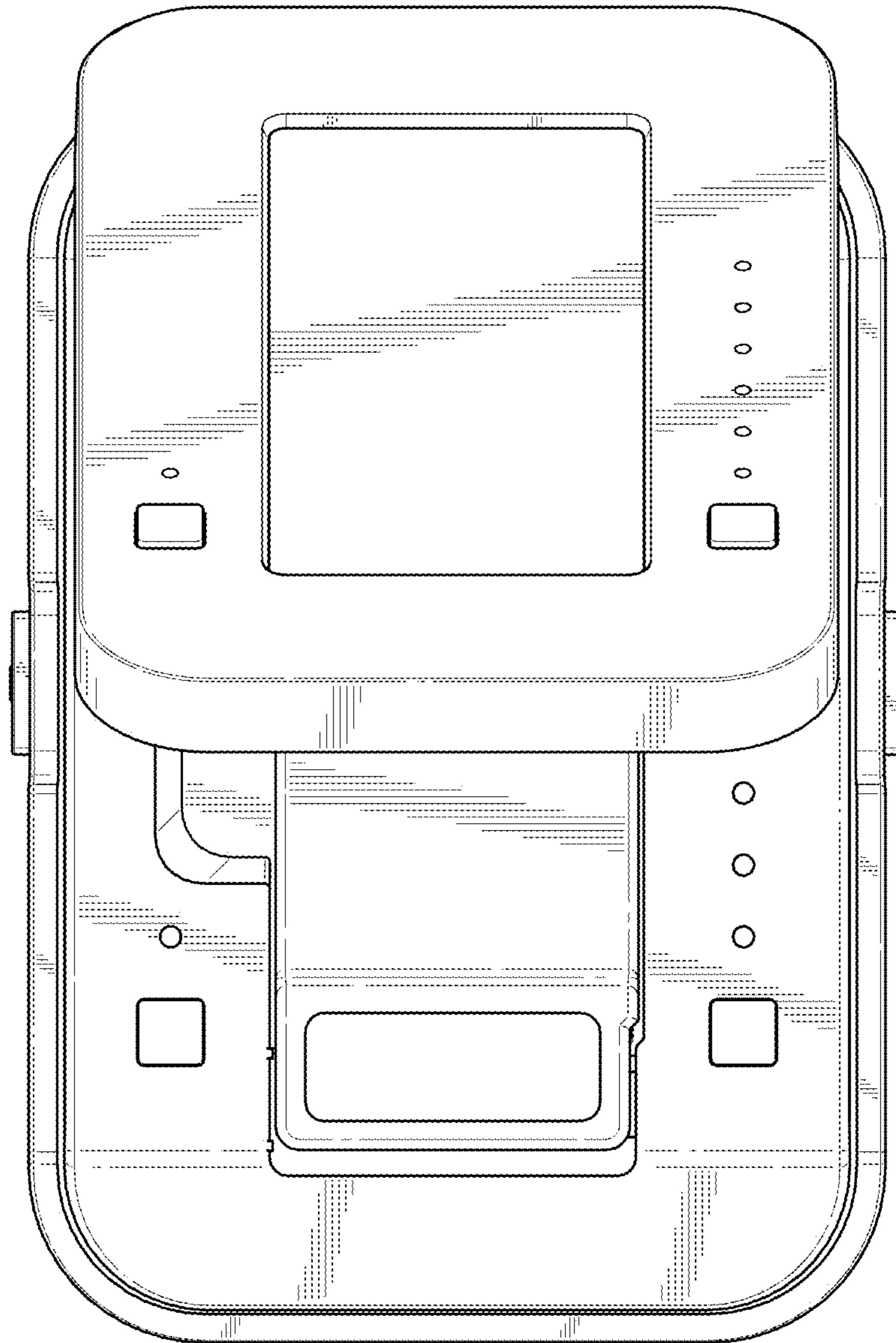


FIG. 6

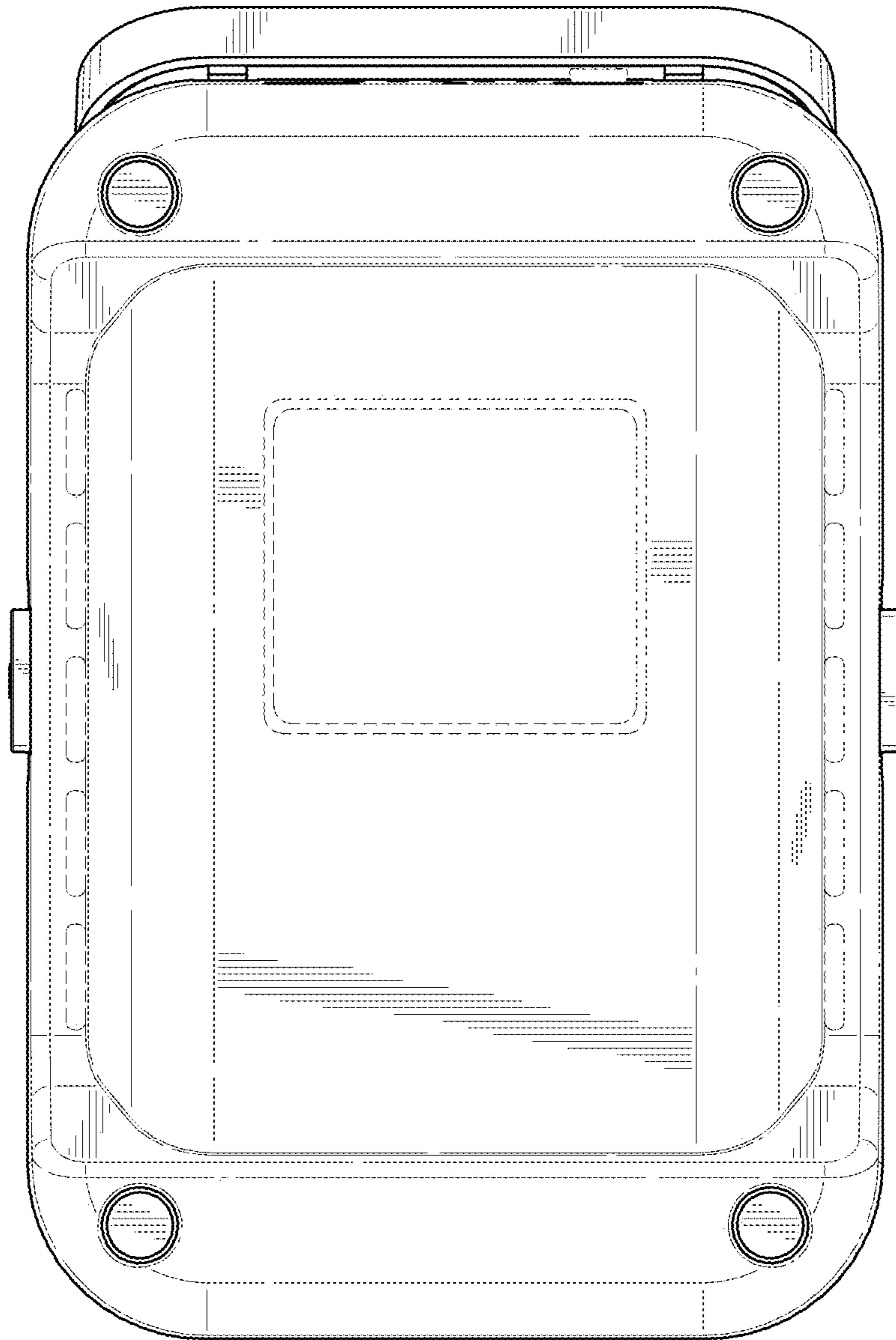


FIG. 7