



US00D681233S

(12) **United States Design Patent**
Thomas et al.

(10) **Patent No.:** **US D681,233 S**
(45) **Date of Patent:** **** Apr. 30, 2013**

(54) **BIOLOGICAL SAMPLE ANALYSIS SYSTEM**

(75) Inventors: **Richard Thomas**, Los Altos, CA (US);
Laurence Trigg, Santa Clara, CA (US);
Mitsuru Oonuma, Tokyo (JP); **Jin**
Matsumura, Hitachinaka (JP); **Ryoji**
Inaba, Hitachinaka (JP)

(73) Assignee: **Life Technologies Corporation**,
Carlsbad, CA (US)

(**) Term: **14 Years**

(21) Appl. No.: **29/390,328**

(22) Filed: **Apr. 22, 2011**

(51) **LOC (9) Cl.** **24-02**

(52) **U.S. Cl.**
USPC **D24/233; D24/232**

(58) **Field of Classification Search** D24/107,
D24/169, 186, 216–217, 231–234; D10/75,
D10/81; 422/62–63, 64–65, 67, 68.1, 81;
600/300, 368; 204/461; 435/69.1, 283.1,
435/287.1, 287.2

See application file for complete search history.

(56) **References Cited**

U.S. PATENT DOCUMENTS

5,207,880 A * 5/1993 Middendorf et al. 204/461
D338,419 S * 8/1993 Frenkel et al. D10/81
D380,273 S * 6/1997 Emerson et al. D24/232
D399,959 S * 10/1998 Prokop et al. D24/169
D410,080 S * 5/1999 Heidsiek et al. D24/107
D421,653 S * 3/2000 Purcell D24/231
D424,956 S * 5/2000 von Buelow et al. D10/81

D430,304 S * 8/2000 Oonuma et al. D24/233
7,033,820 B2 * 4/2006 Ammann et al. 435/287.1
D549,827 S * 8/2007 Maeno et al. D24/169
D556,914 S * 12/2007 Okamoto et al. D24/233
D621,523 S * 8/2010 Onuma et al. D24/234
2011/0269239 A1 * 11/2011 Diessel et al. 422/63

OTHER PUBLICATIONS

5500 SOLiD™ System. Life Technologies.com © 2012. [Retrieved on Nov. 20, 2012]. Retrieved from the Internet: <URL: http://www.appliedbiosystems.com/absite/us/en/home/applications-technologies/solid-ne...>.*

* cited by examiner

Primary Examiner — Wan Laymon

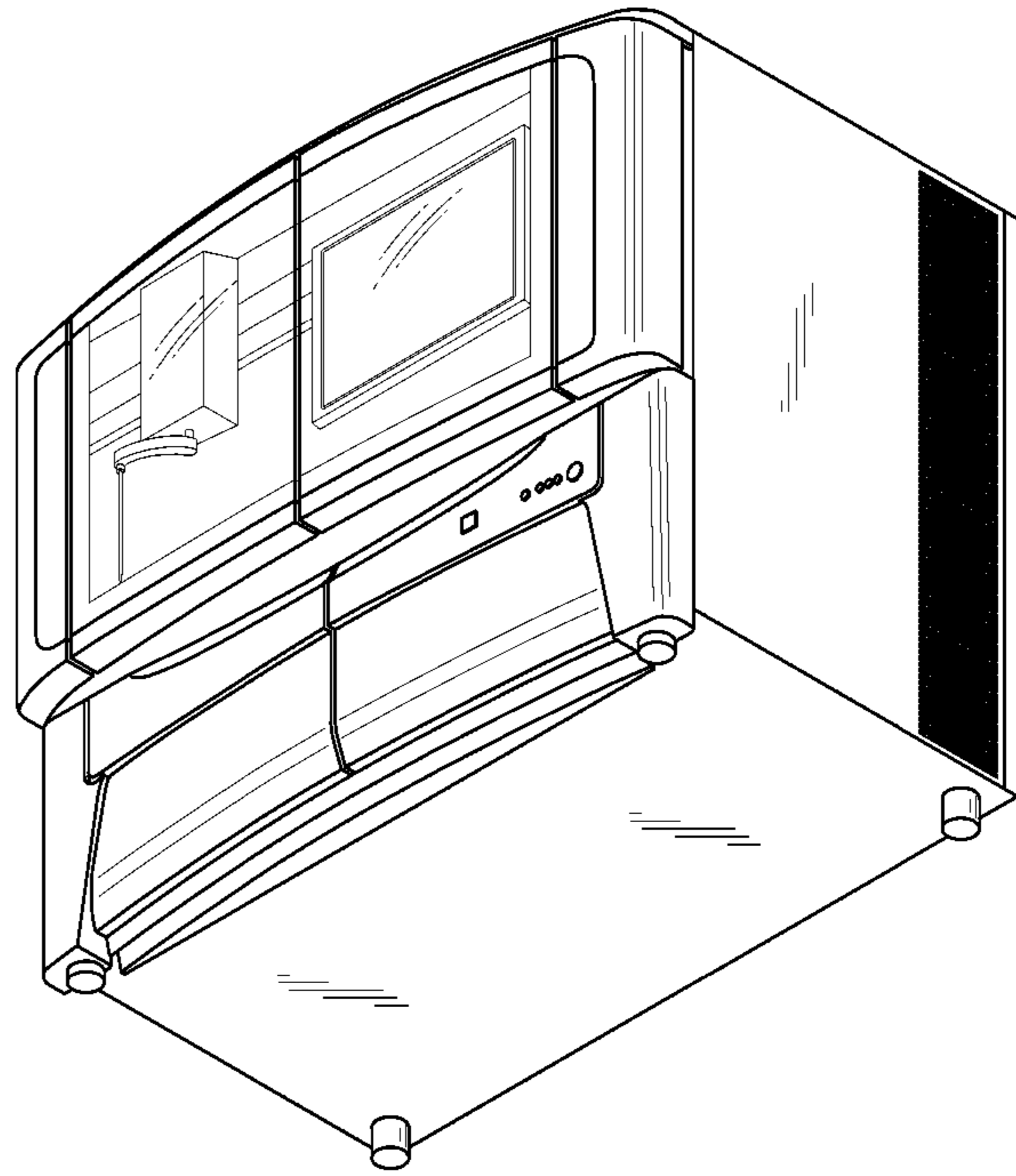
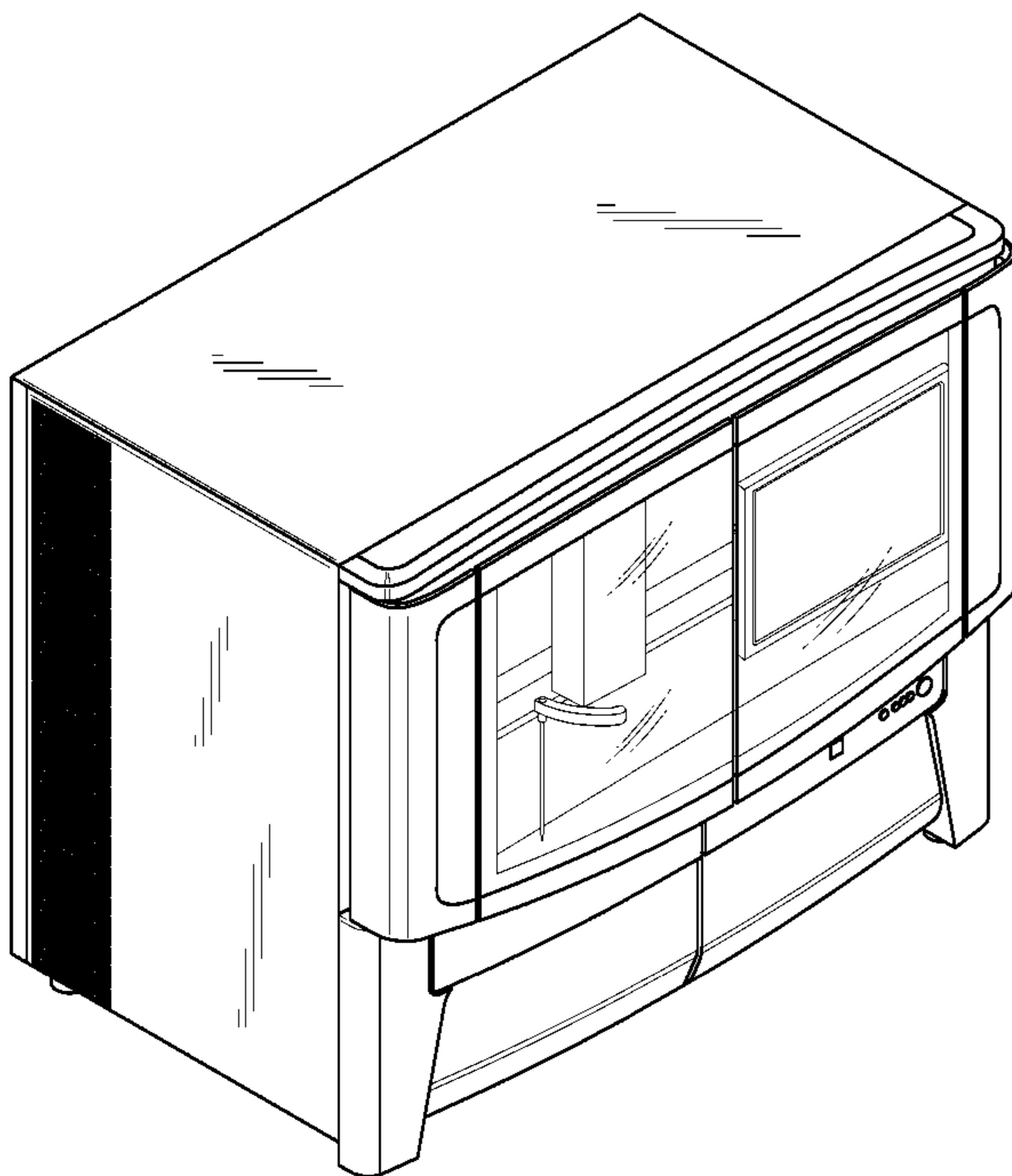
(57) **CLAIM**

The ornamental design for a biological sample analysis system, as shown and described.

DESCRIPTION

FIG. 1 is a front view of a biological sample analysis system; FIG. 2 is a back view of the biological sample analysis system; FIG. 3 is a side view of the biological sample analysis system; FIG. 4 is a side view of the biological sample analysis system; FIG. 5 is a top view of the biological sample analysis system; FIG. 6 is a bottom view of the biological sample analysis system; FIG. 7 is a top, front, and side perspective view of the biological sample analysis system; and, FIG. 8 is a front, side, and bottom perspective view of the biological sample analysis system.

1 Claim, 7 Drawing Sheets



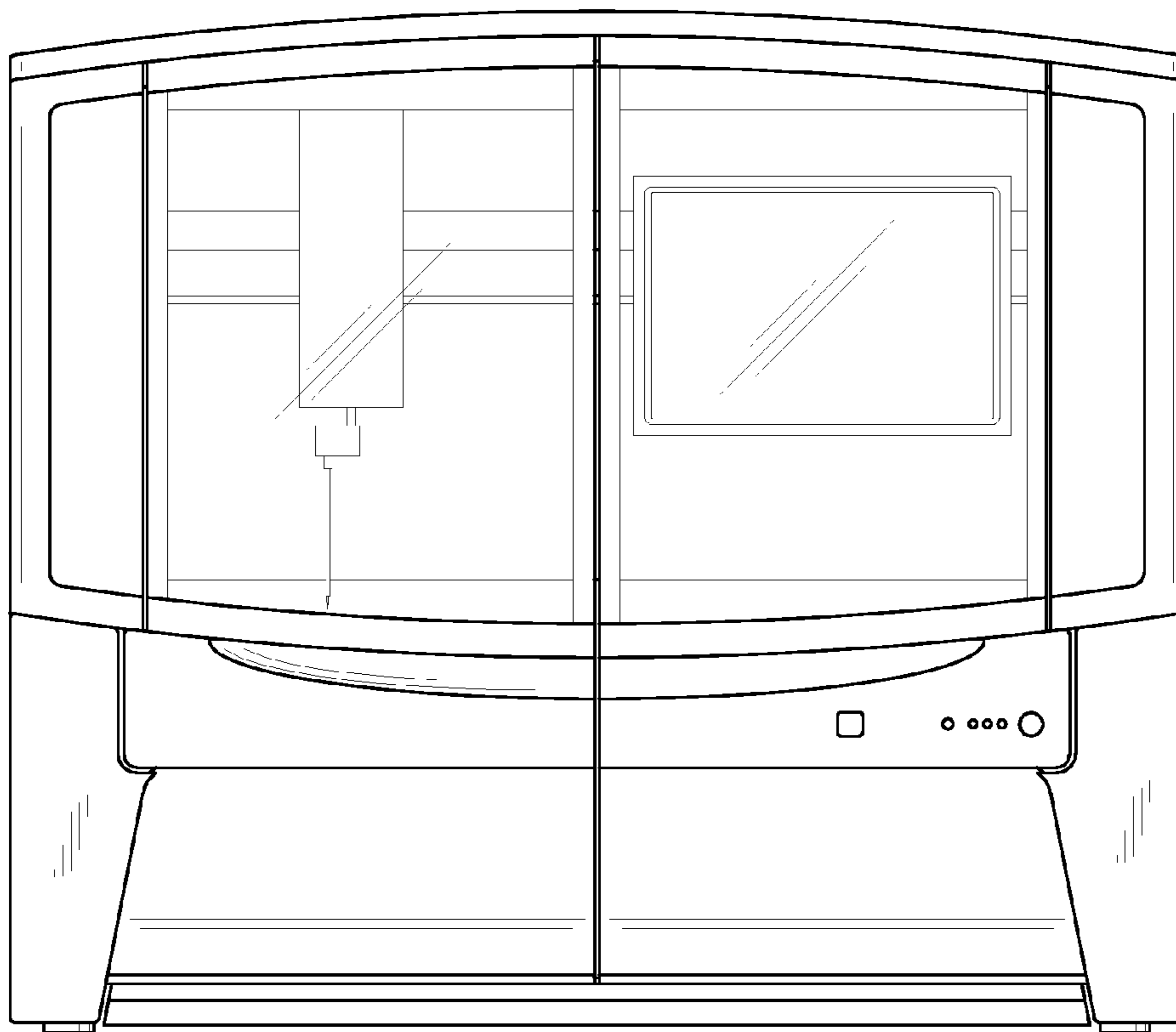


FIG. 1

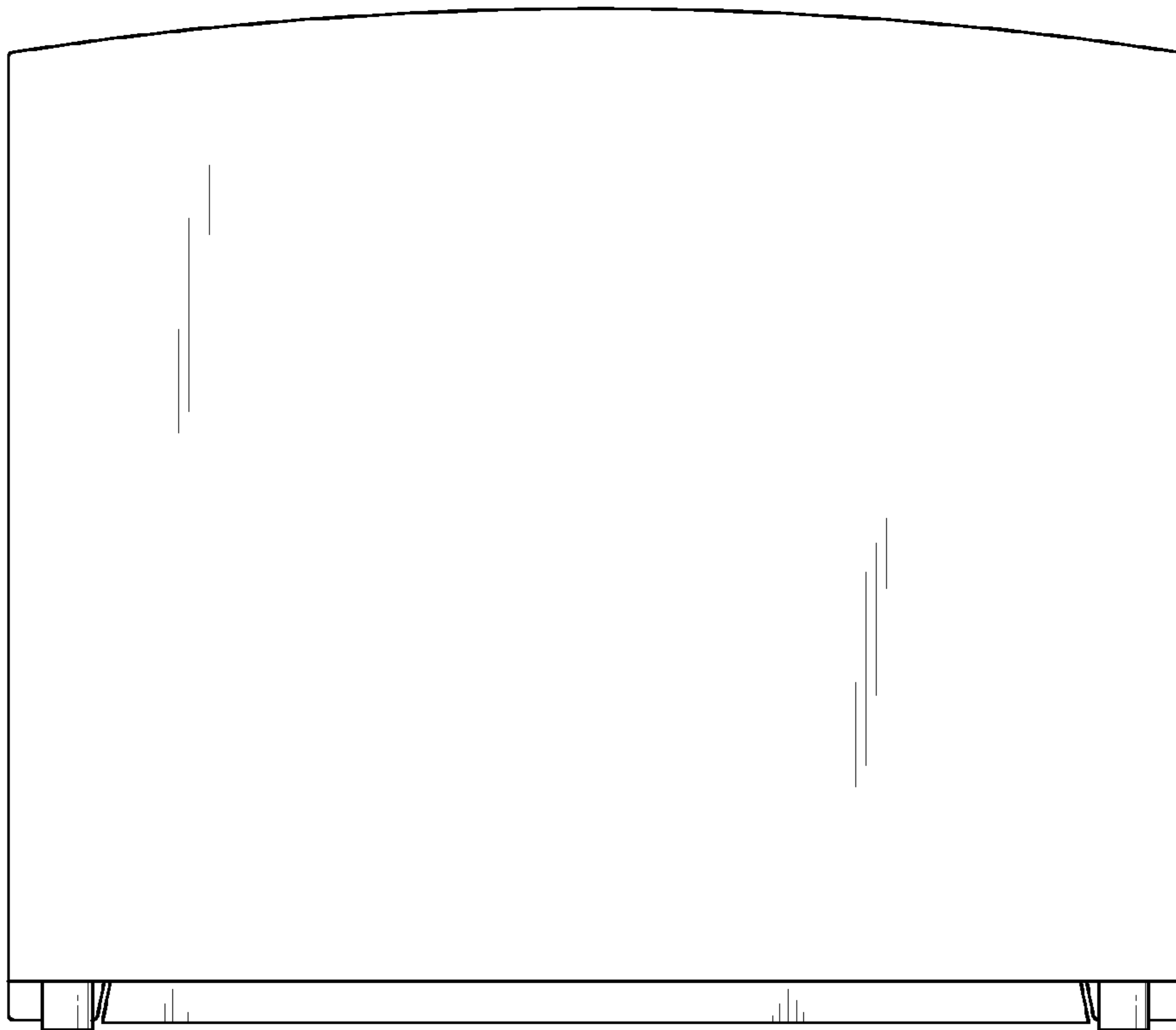


FIG. 2

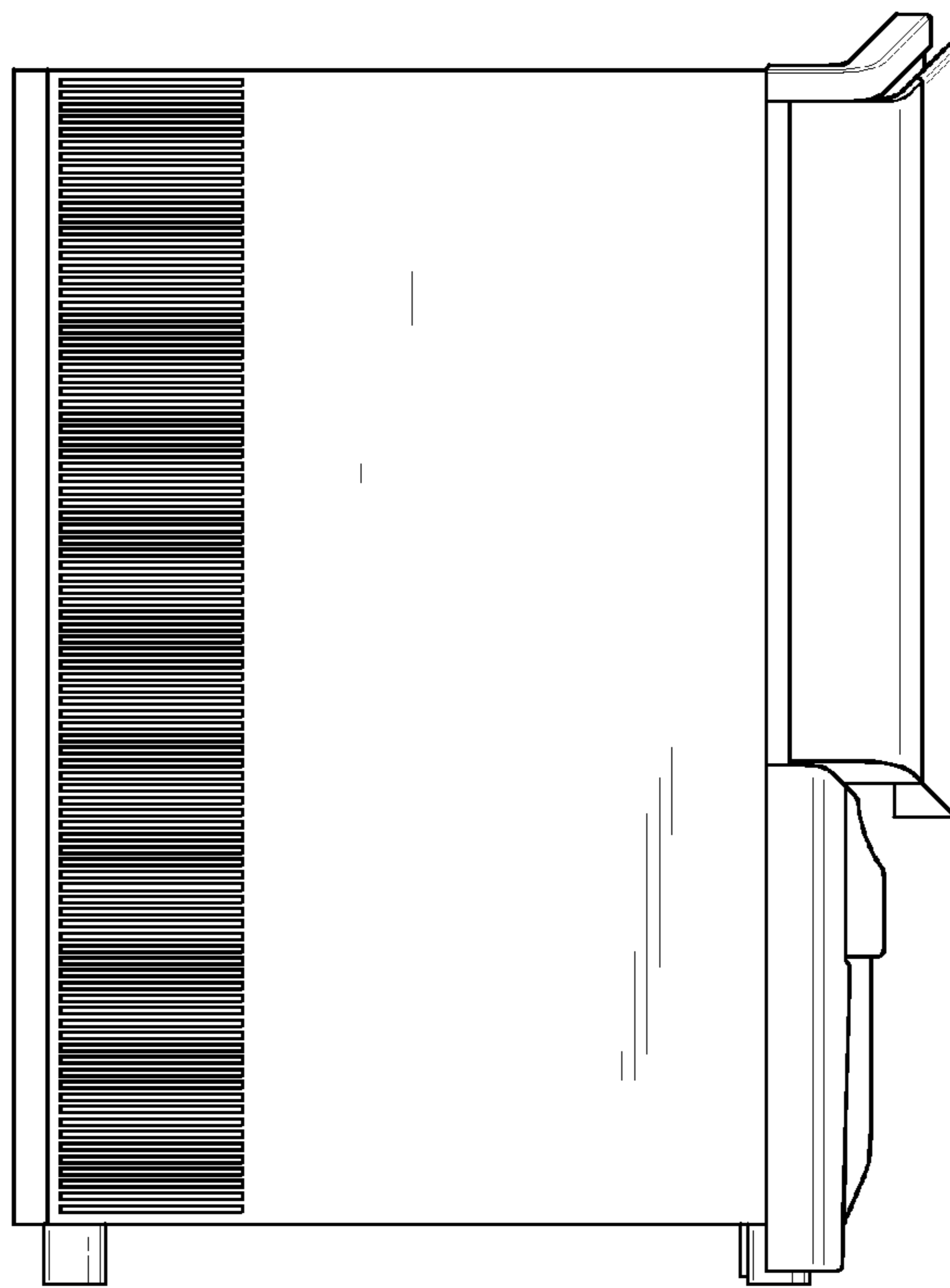


FIG. 3

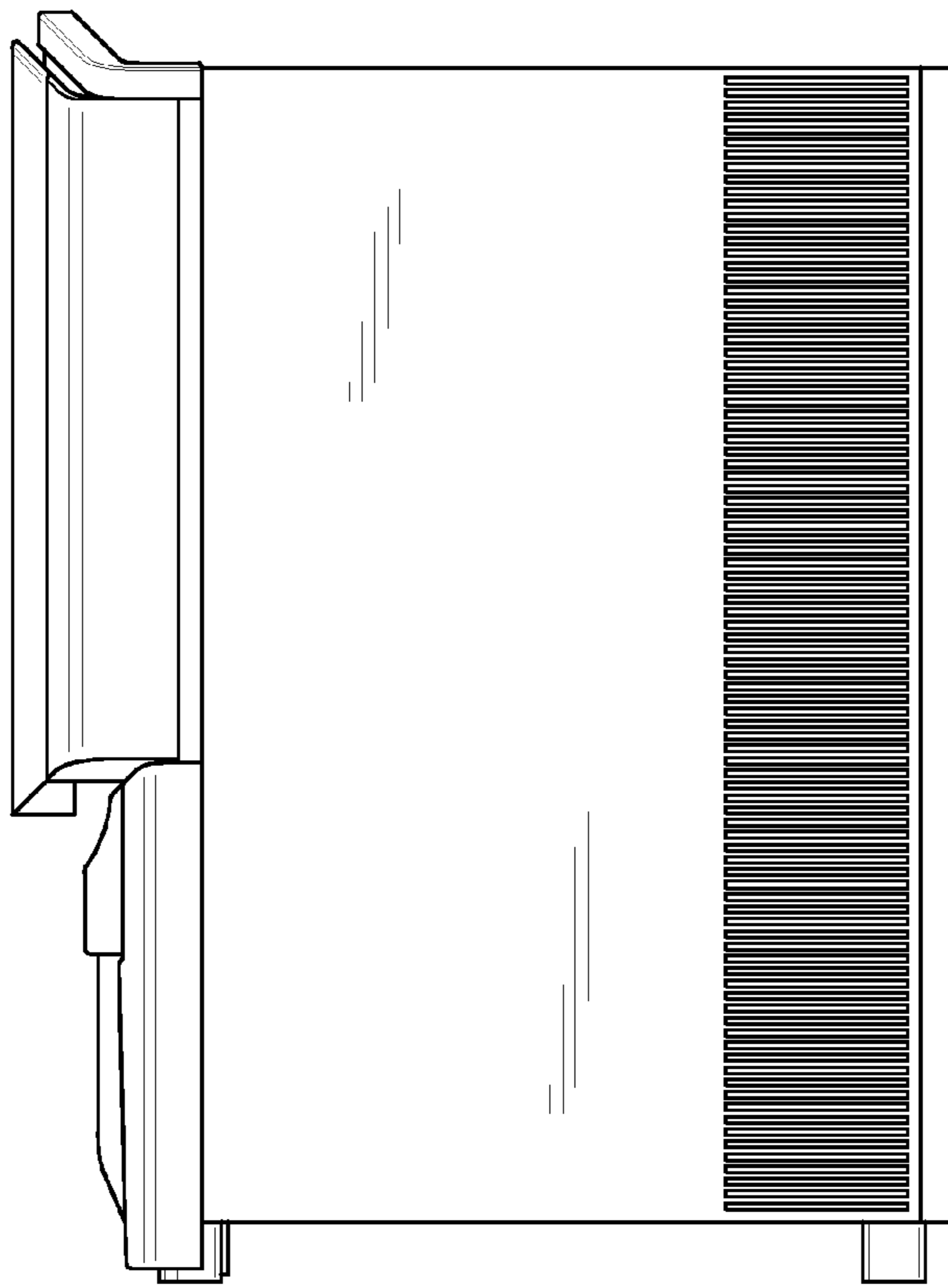


FIG. 4

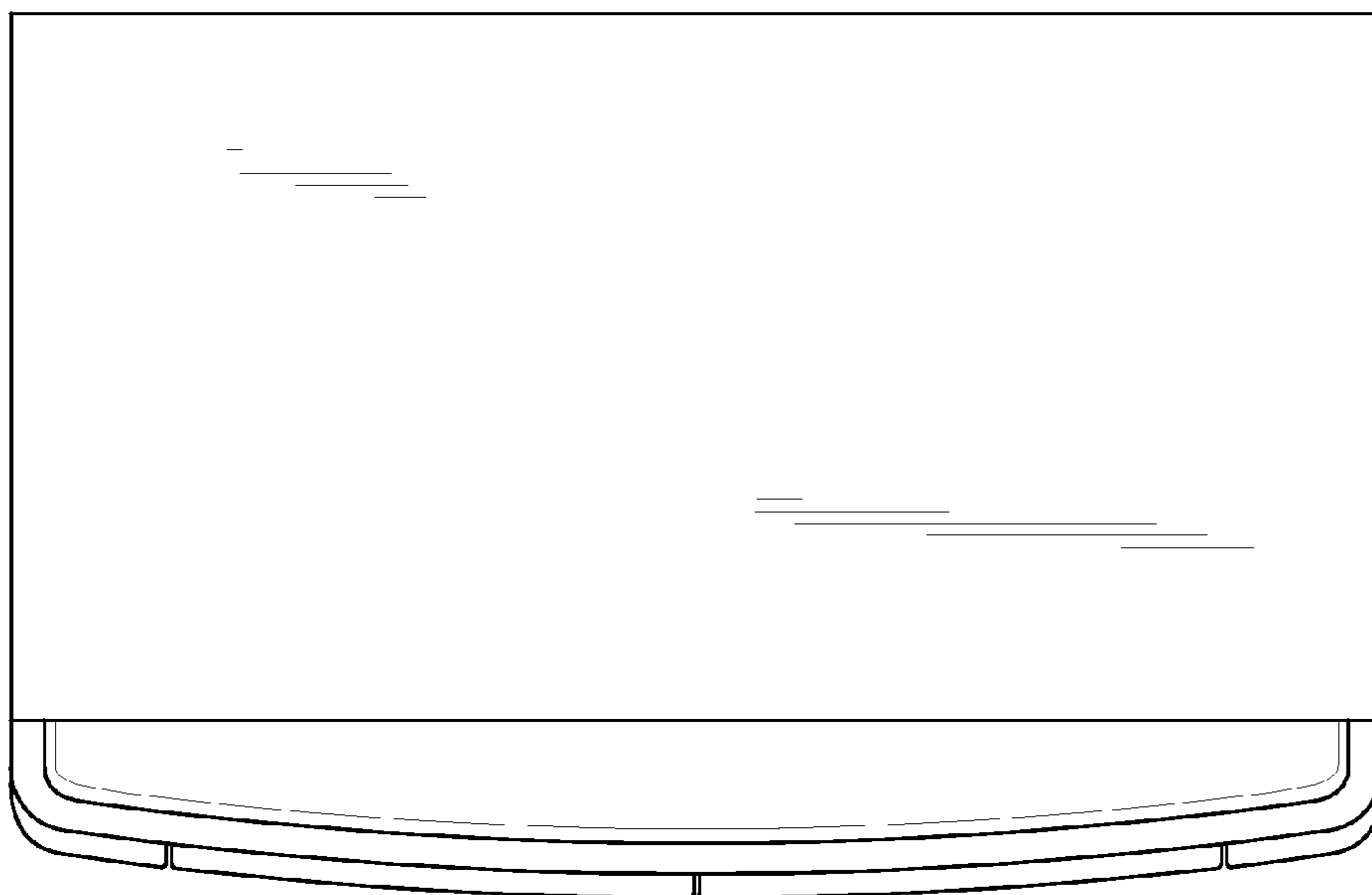


FIG. 5

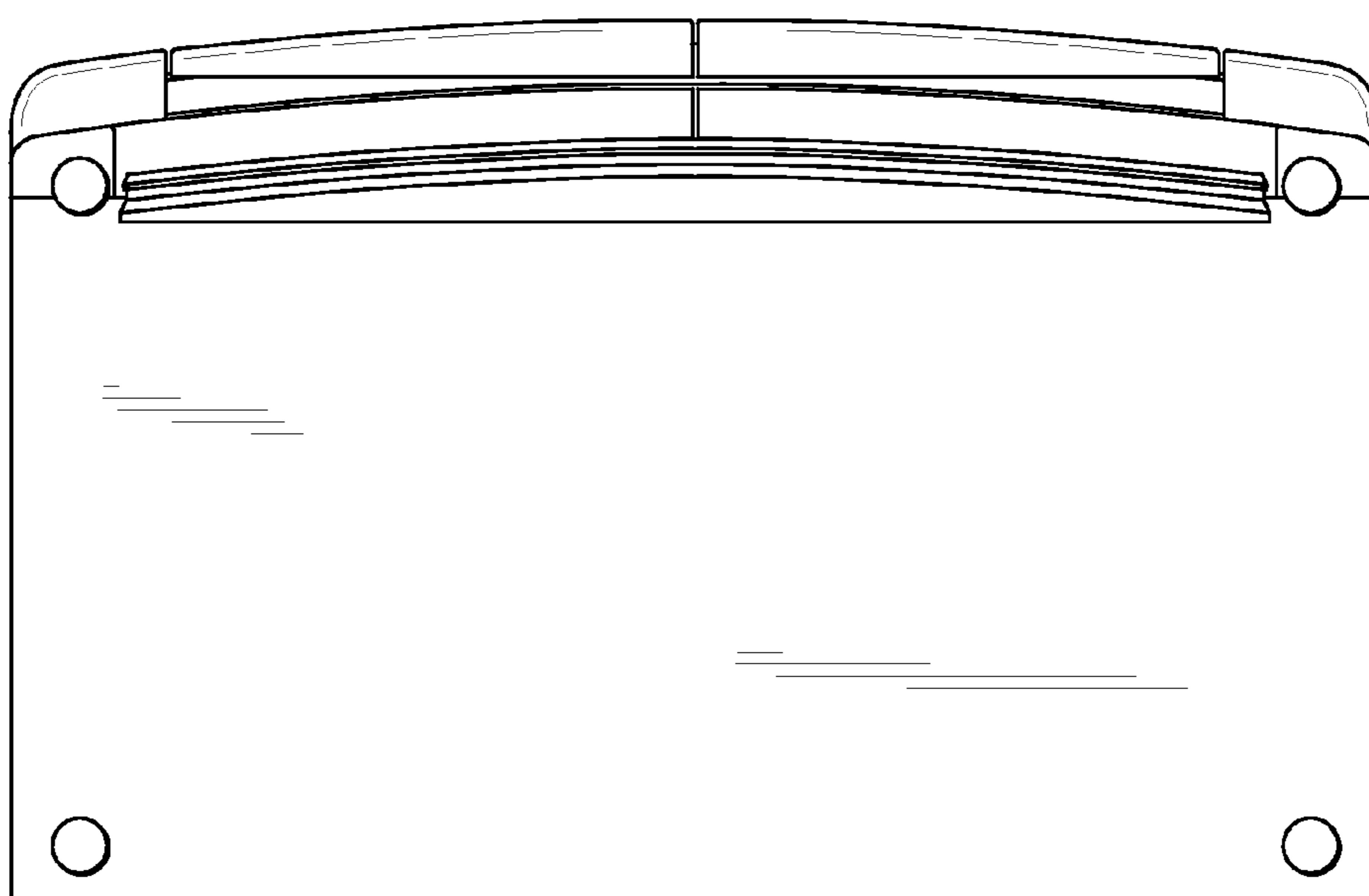


FIG. 6

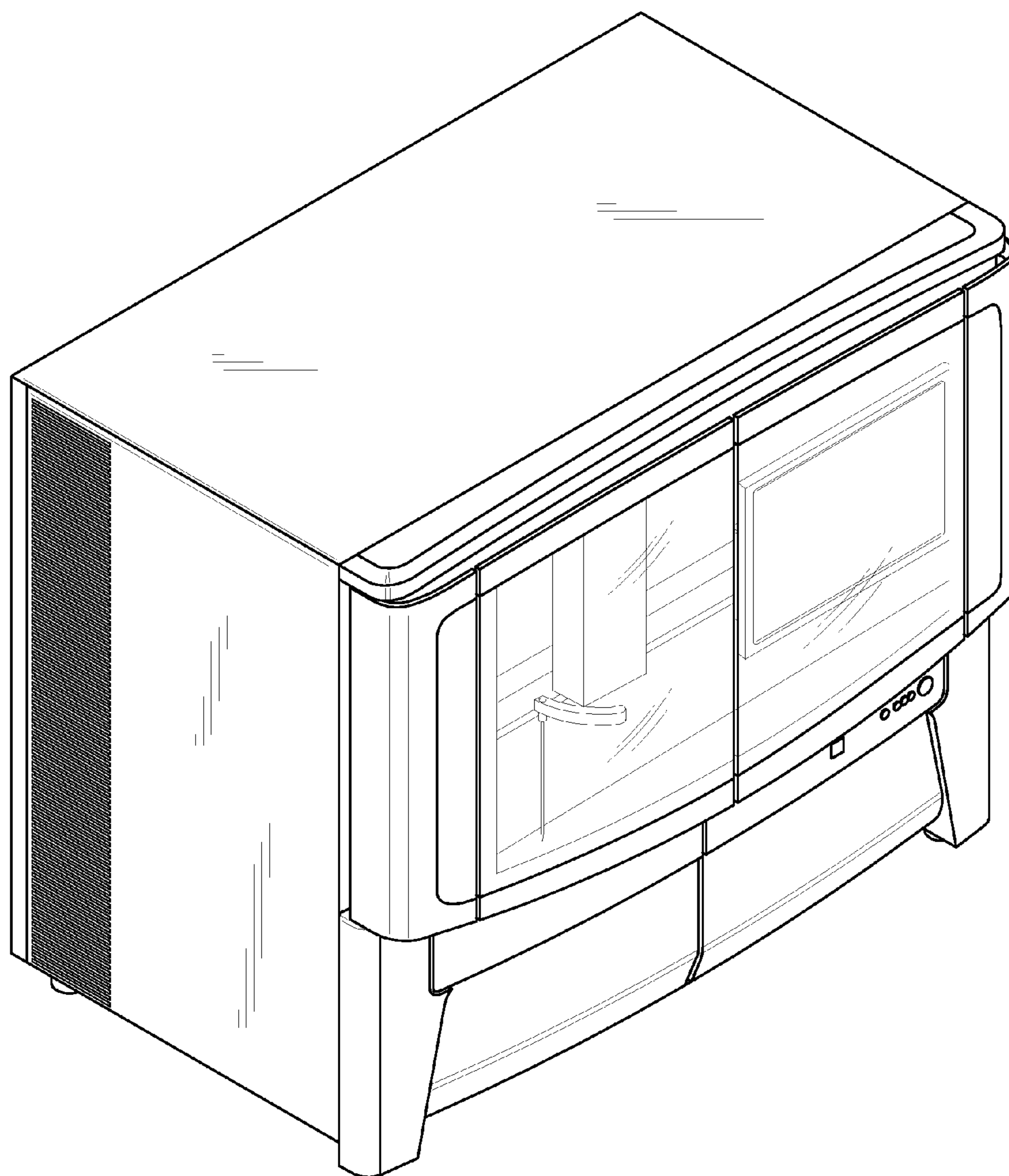


FIG. 7

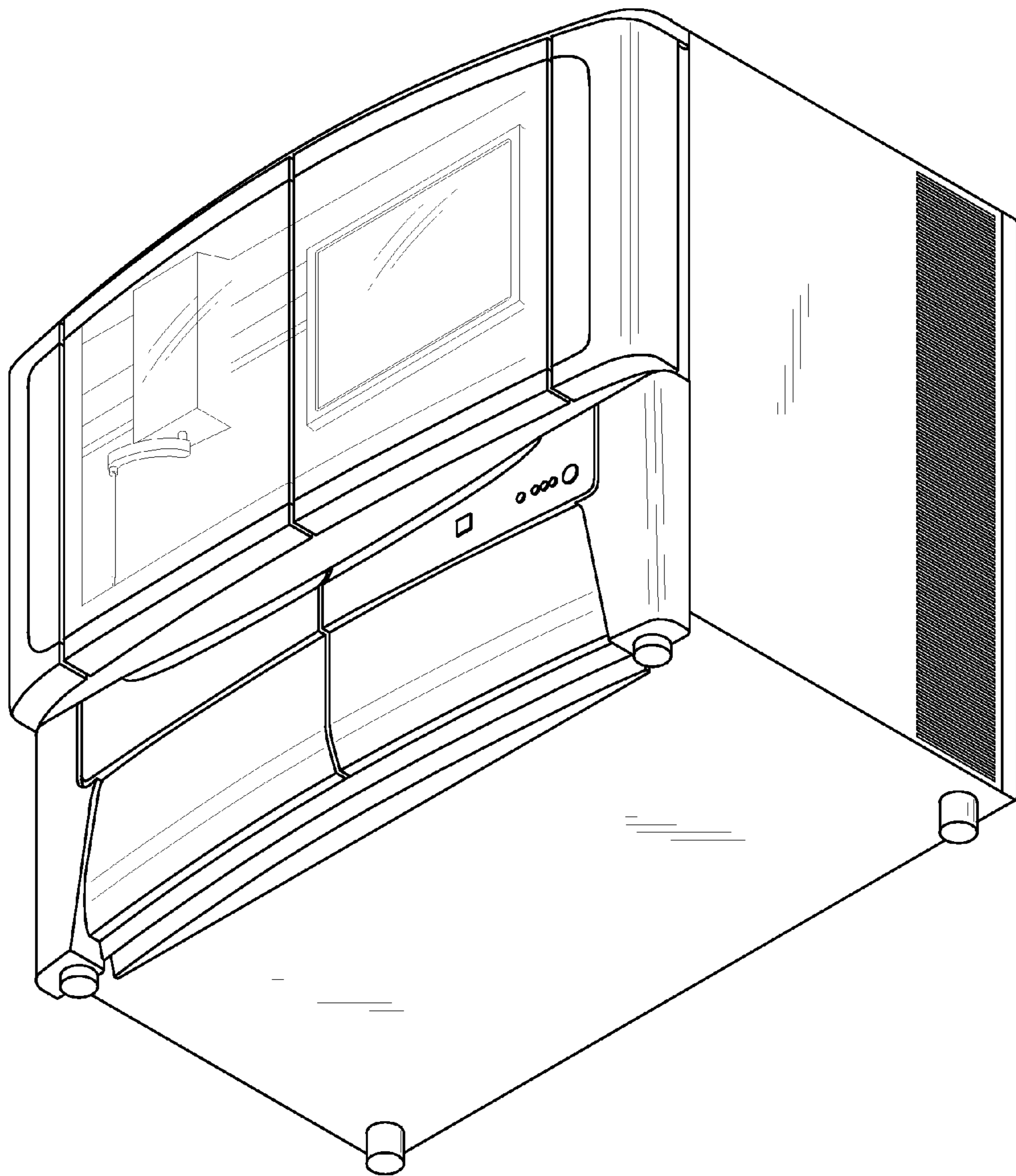


FIG. 8