



US00D681232S

(12) **United States Design Patent**
Benarieh et al.

(10) **Patent No.:** **US D681,232 S**
(45) **Date of Patent:** **** Apr. 30, 2013**

(54) **APPARATUS FOR DOCKING AND CHARGING ELECTROPHORESIS DEVICES**

(75) Inventors: **Ronen Benarieh**, Kibotz (IL); **Andres Wainstein**, Tel Aviv (IL); **Gustavo Turkieltaub**, Tel Aviv (IL)

(73) Assignee: **Life Technologies Corporation**, Carlsbad, CA (US)

(**) Term: **14 Years**

(21) Appl. No.: **29/427,860**

(22) Filed: **Jul. 23, 2012**

Related U.S. Application Data

(62) Division of application No. 29/399,857, filed on Aug. 19, 2011, now Pat. No. Des. 666,305.

(51) **LOC (9) Cl.** **24-02**

(52) **U.S. Cl.**
USPC **D24/232; D23/233**

(58) **Field of Classification Search** D24/232-233;
439/509, 911; 204/450-451, 456, 466, 554,
204/600, 606, 608, 616, 628, 603
See application file for complete search history.

(56) **References Cited**

U.S. PATENT DOCUMENTS

3,421,998 A	1/1969	Yallen
D229,143 S	11/1973	Holmes et al.
3,819,505 A	6/1974	Parent et al.
3,856,656 A	12/1974	Brink
4,194,963 A	3/1980	Denckla
D266,150 S	9/1982	Borsos
4,416,761 A	11/1983	Brown et al.
D282,352 S	1/1986	Hoefler et al.
4,830,725 A	5/1989	Berninger et al.
D303,012 S	8/1989	Flesher et al.
D315,951 S	4/1991	Berninger et al.
D315,952 S	4/1991	Berninger et al.

5,106,472 A *	4/1992	Guadagno	204/466
5,242,568 A	9/1993	Ehr et al.	
5,384,022 A	1/1995	Rajasekaram	
5,449,446 A *	9/1995	Verma et al.	204/612
5,507,390 A	4/1996	Vila	
6,379,631 B1	4/2002	Wu	

(Continued)

OTHER PUBLICATIONS

Google Image Result for http://4.bp.blogspot.com/_RpYJJVGjpr8/TS3uoFQ8GII/AAAAAAAAABY/pDOgCWRf3dY/s1600/33electrophoresis1_training.jpg. Viewed on Apr. 13, 2012.

Primary Examiner — Wan Laymon

(57) **CLAIM**

The ornamental design for an apparatus for docking and charging electrophoresis devices, as shown and described.

DESCRIPTION

FIG. 1 is a front and side perspective view of an apparatus for docking and charging electrophoresis devices, according to a first embodiment;

FIG. 2 is a front view thereof;

FIG. 3 is a back view thereof;

FIG. 4 is a right side view thereof;

FIG. 5 is a left side view thereof;

FIG. 6 is a top side view thereof;

FIG. 7 is a front and side perspective view of an apparatus for docking and charging electrophoresis devices according to a second embodiment;

FIG. 8 is a front view thereof;

FIG. 9 is a back view thereof;

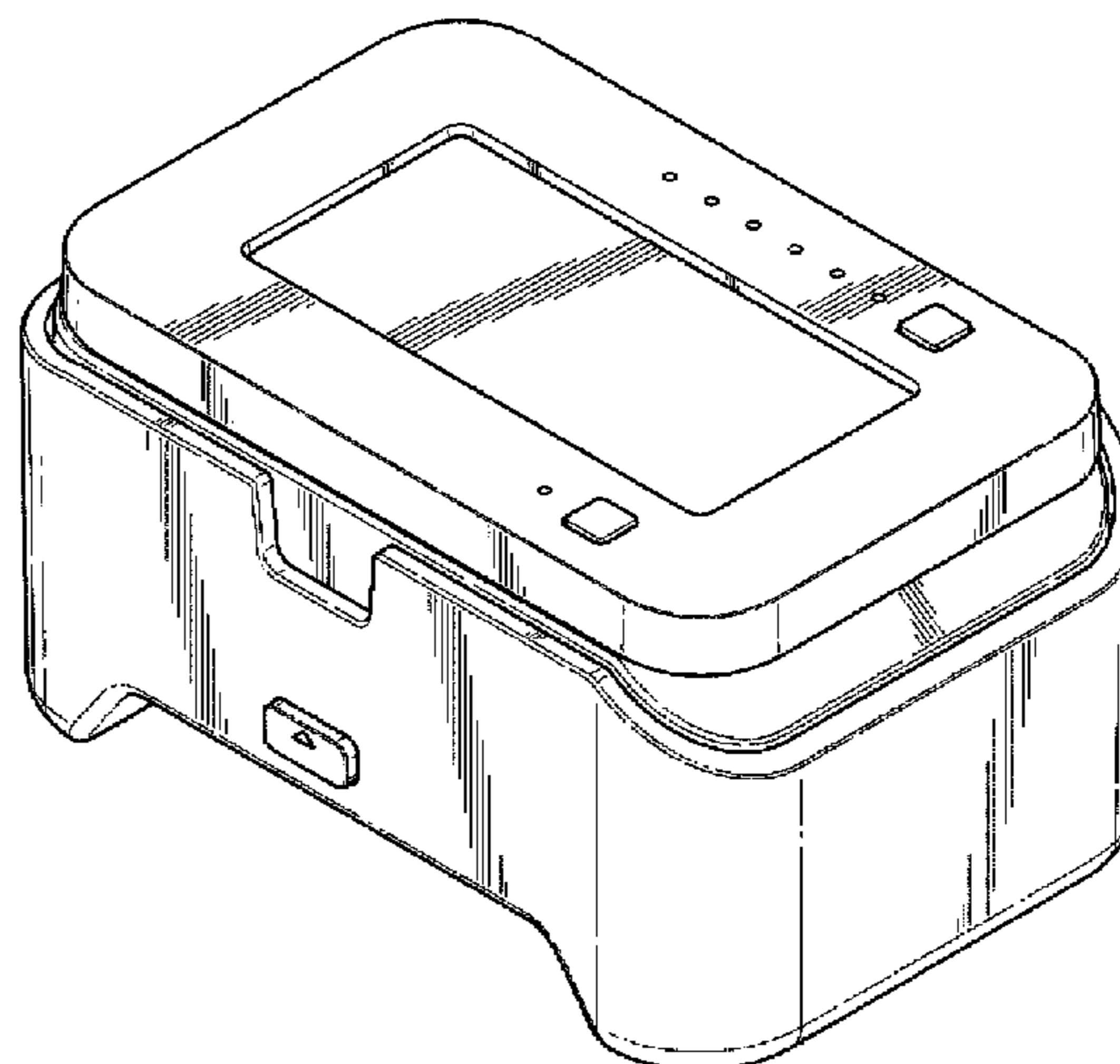
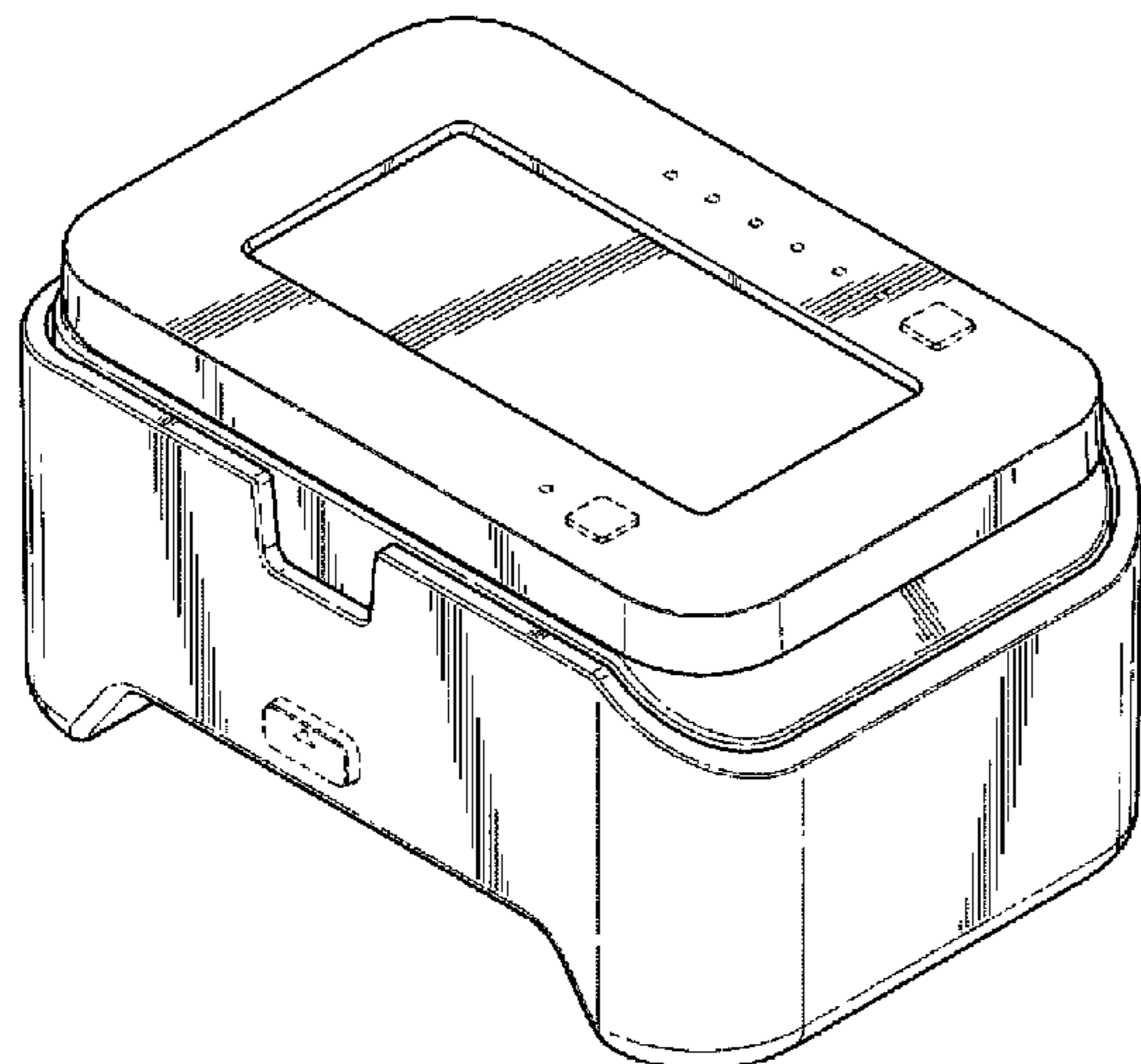
FIG. 10 is a right side view thereof;

FIG. 11 is a left side view thereof; and,

FIG. 12 is a top side view thereof.

The portions depicted in broken lines are not part of the claimed design.

1 Claim, 12 Drawing Sheets



US D681,232 S

Page 2

U.S. PATENT DOCUMENTS									
D511,386	S	11/2005	Emerson		7,399,395	B2	7/2008	Schnelle et al.	
D516,733	S *	3/2006	Pedraza et al.	D24/233	7,578,917	B2 *	8/2009	Zimmermann	204/466
D524,449	S	7/2006	Emerson		D666,305	S	8/2012	Benarieh et al.	
D524,948	S *	7/2006	Pedraza et al.	D24/233	2003/0211023	A1	11/2003	Wu et al.	
D563,562	S	3/2008	Cosselmon et al.		2009/0308749	A1 *	12/2009	Park	204/456
D571,480	S *	6/2008	Beck et al.	D24/232	2012/0024707	A1 *	2/2012	Ohura et al.	204/603

* cited by examiner

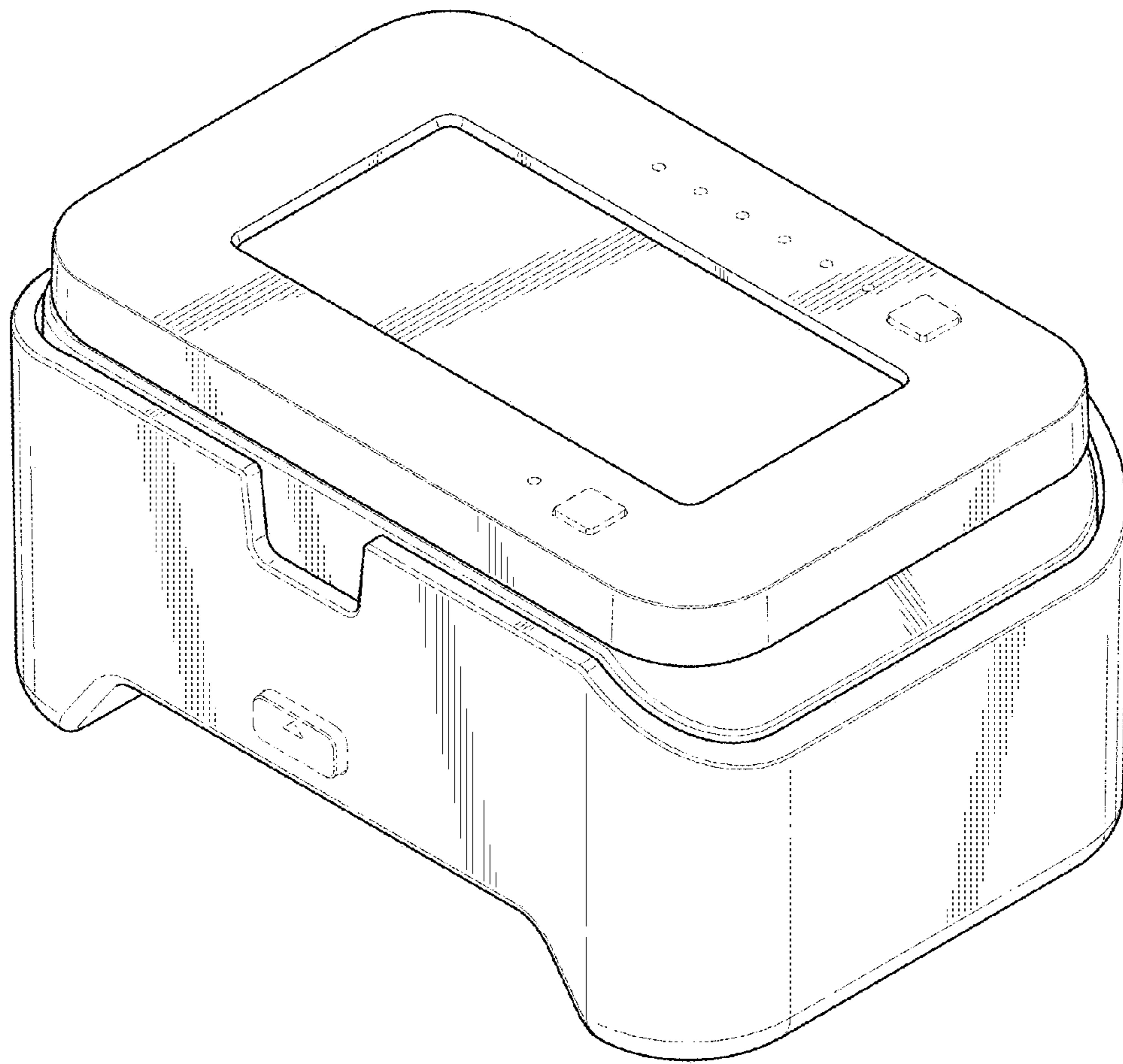


FIG. 1

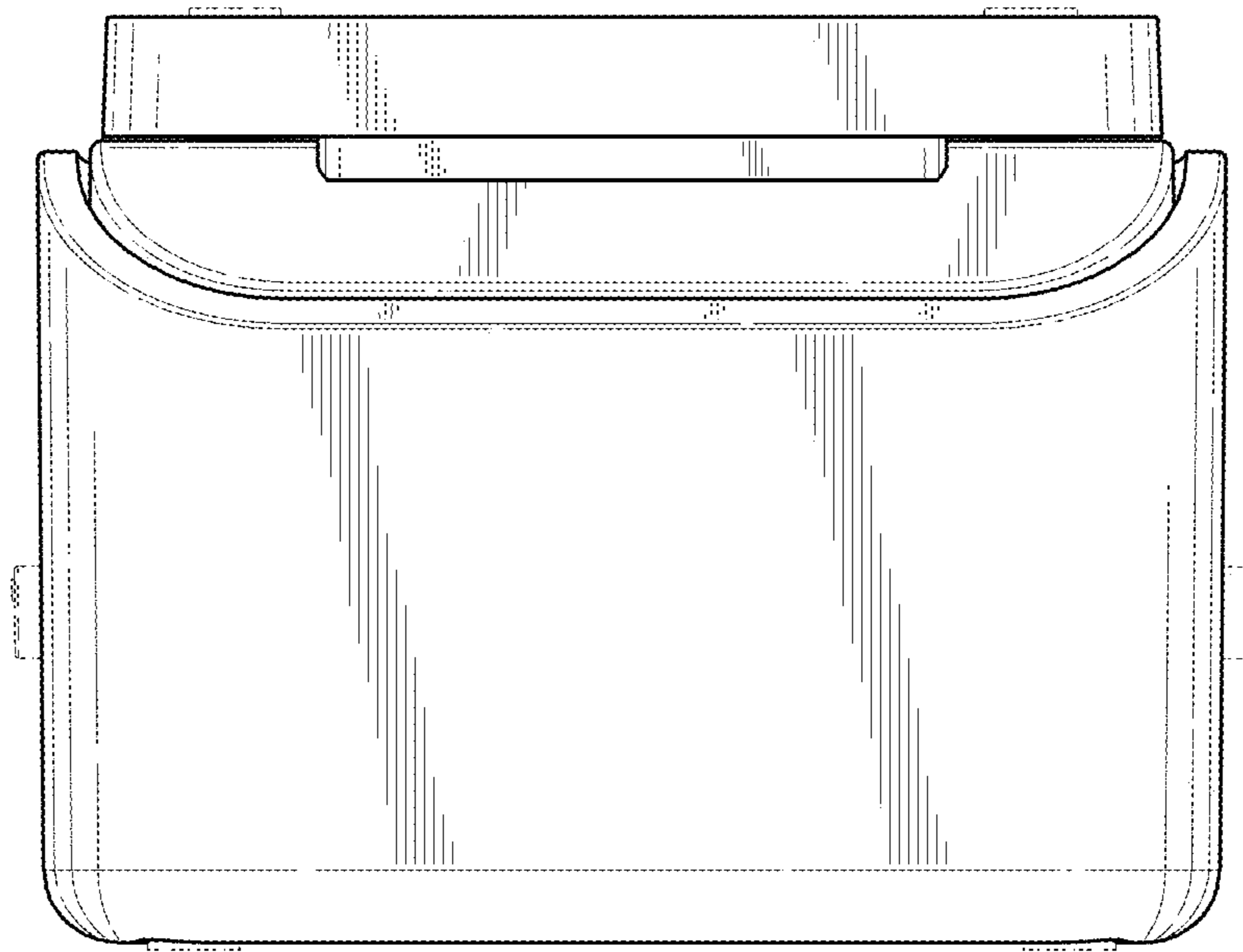


FIG. 2

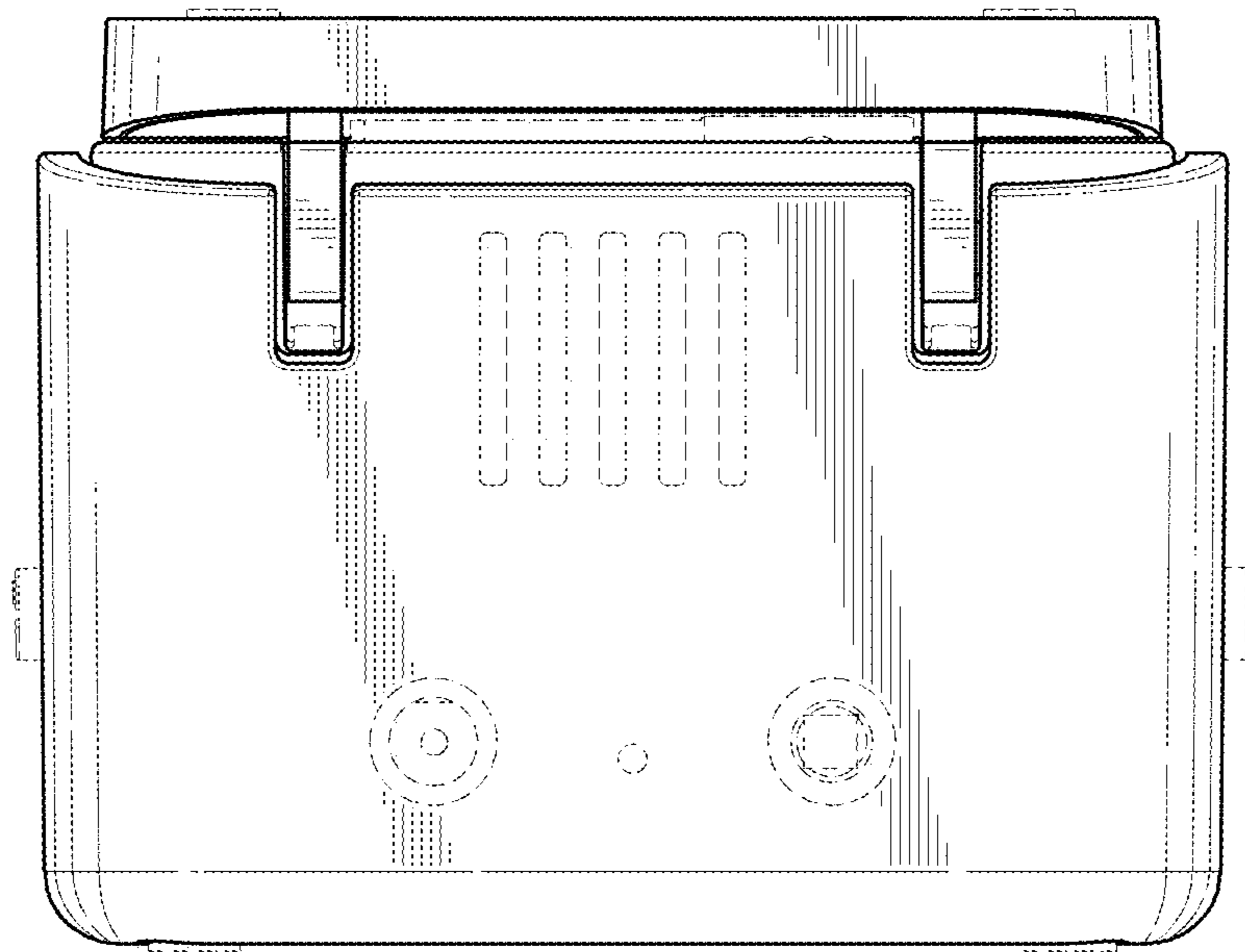


FIG. 3

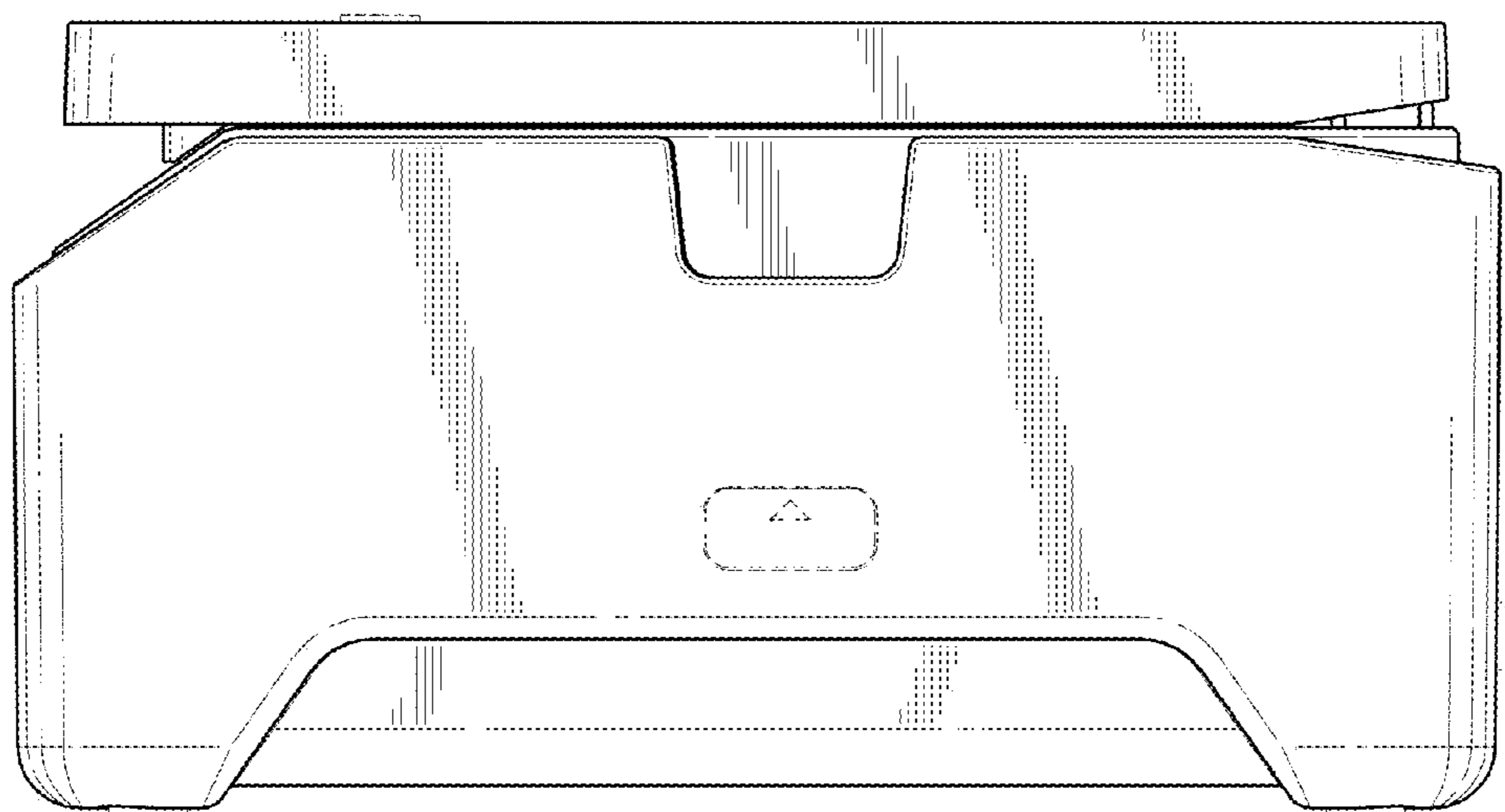


FIG. 4

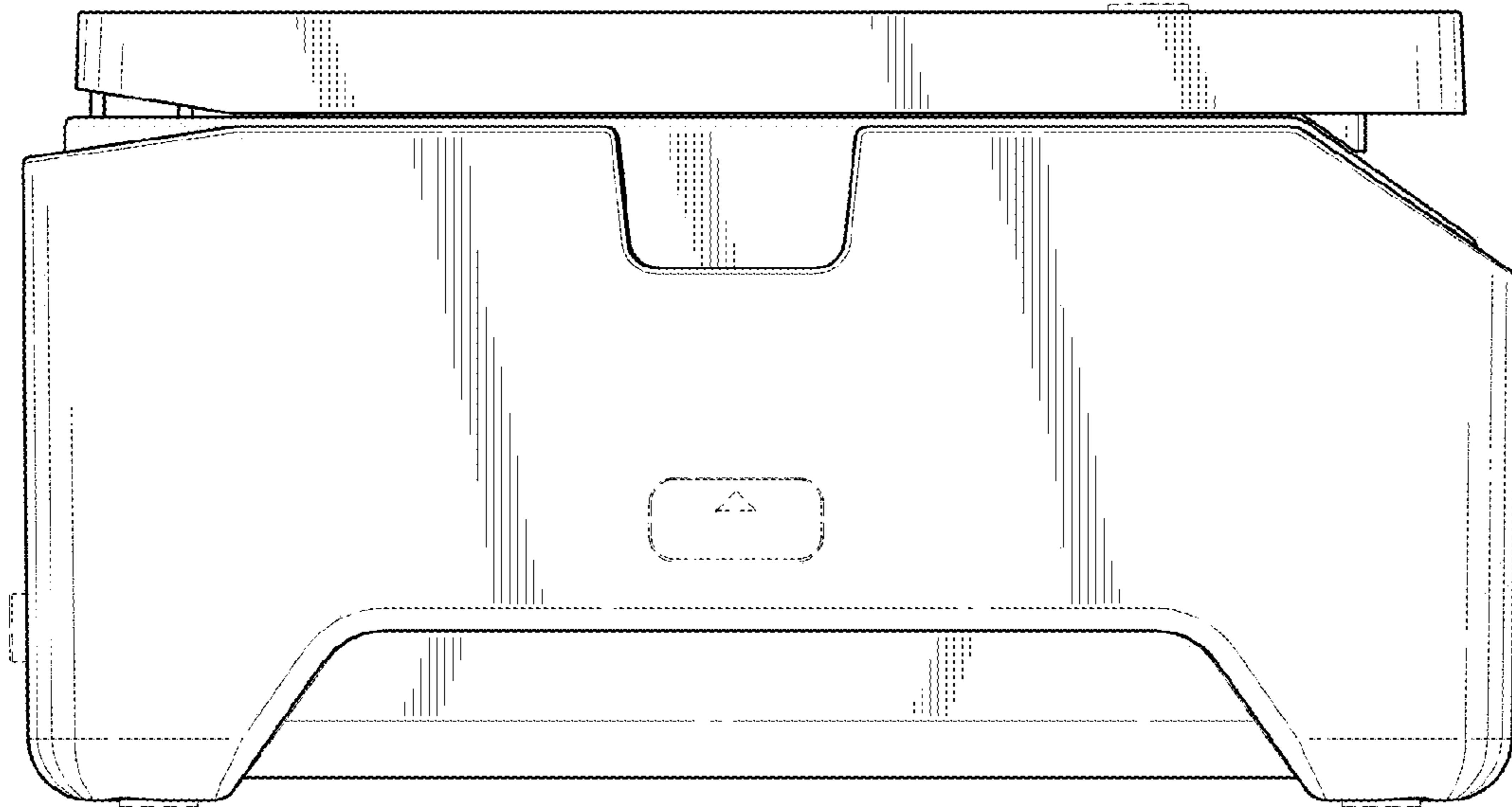


FIG. 5

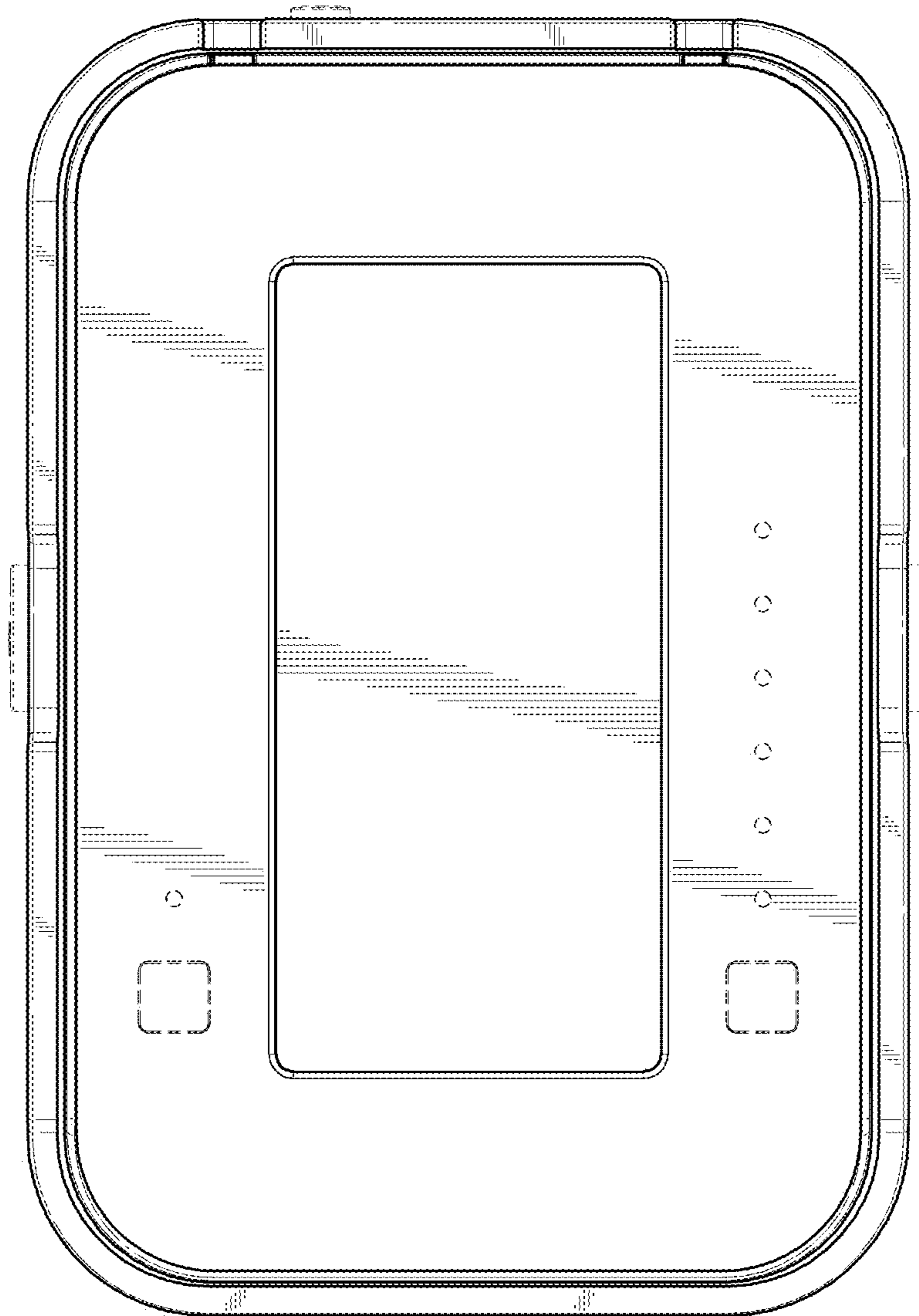


FIG. 6

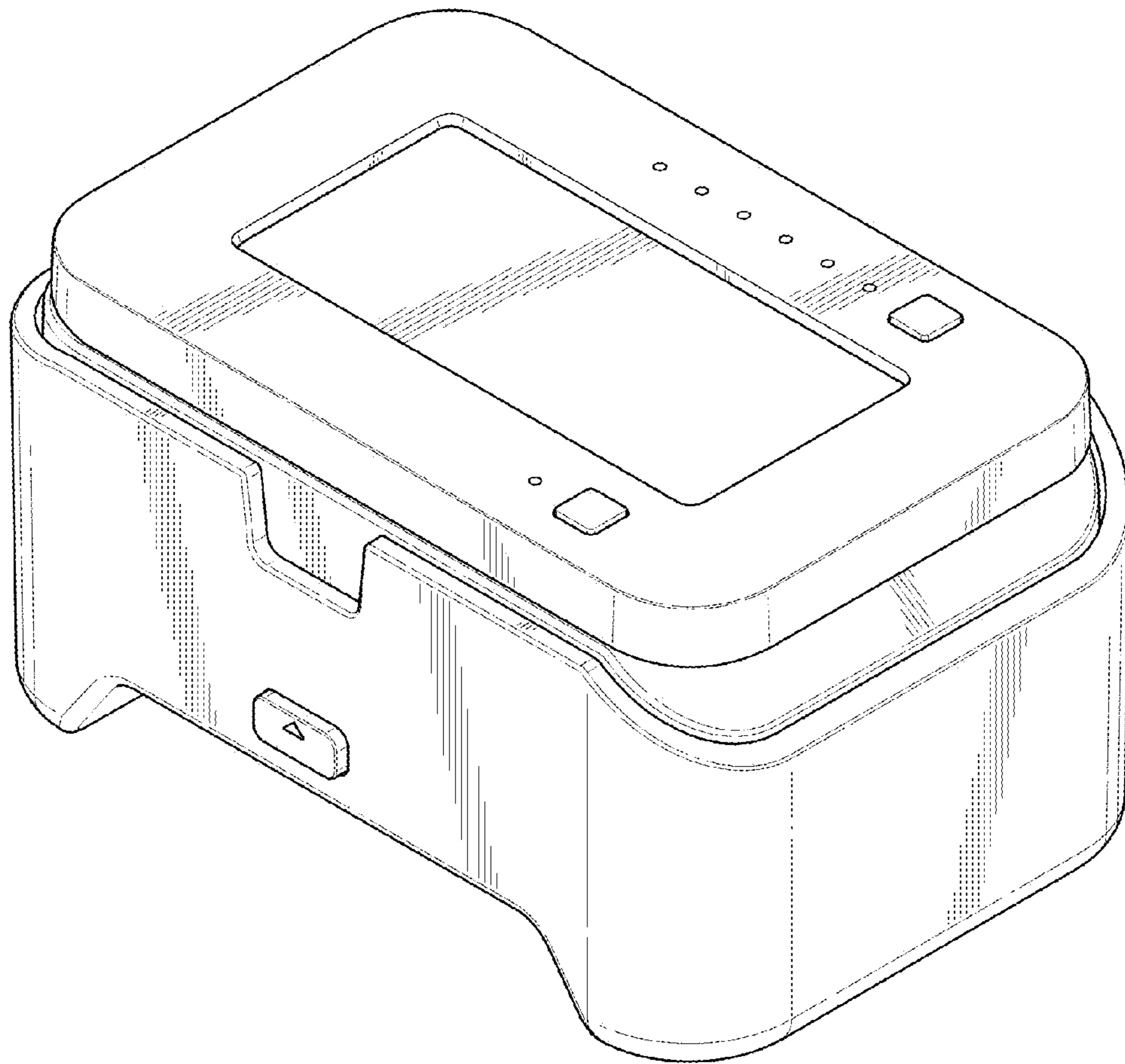


FIG. 7

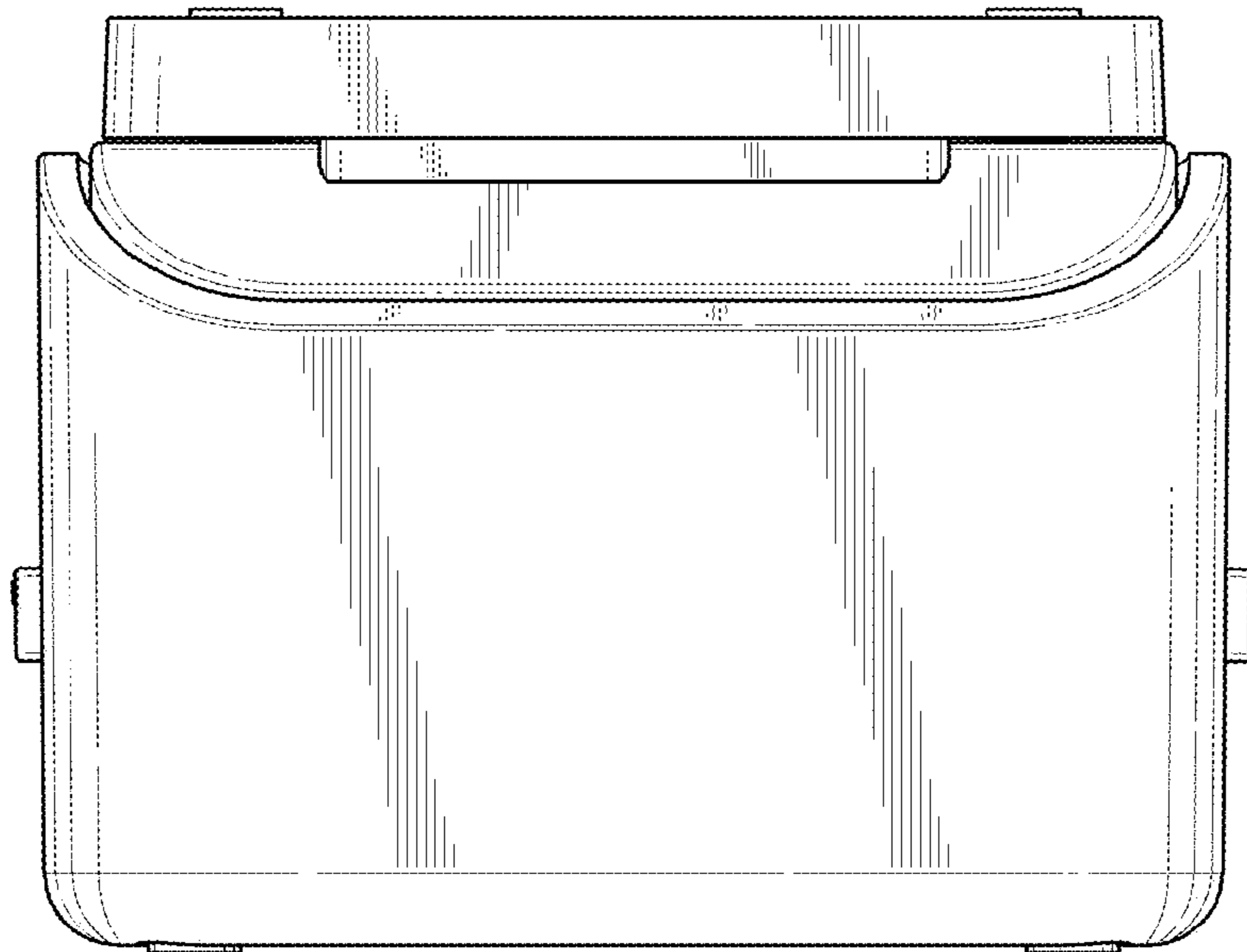


FIG. 8

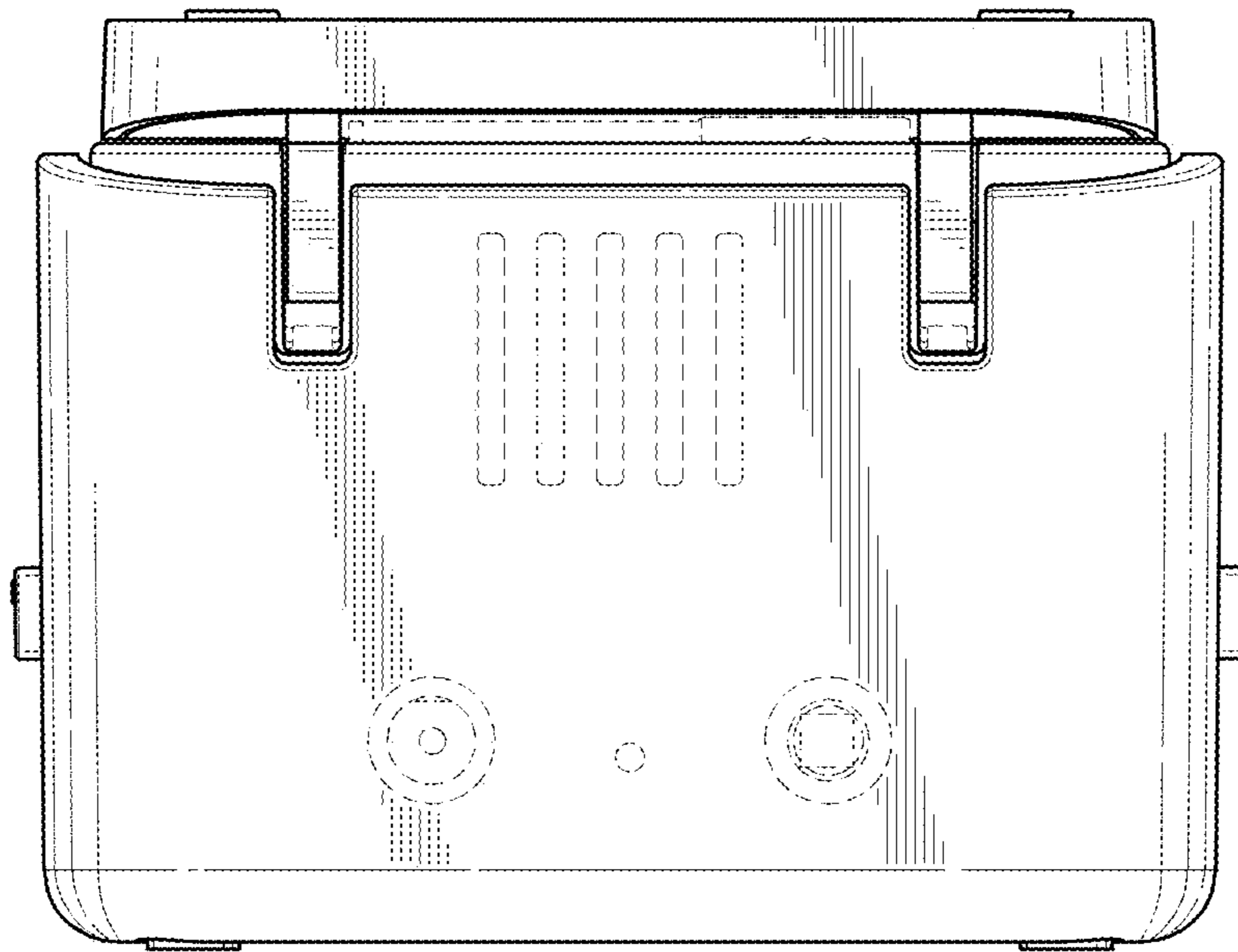


FIG. 9

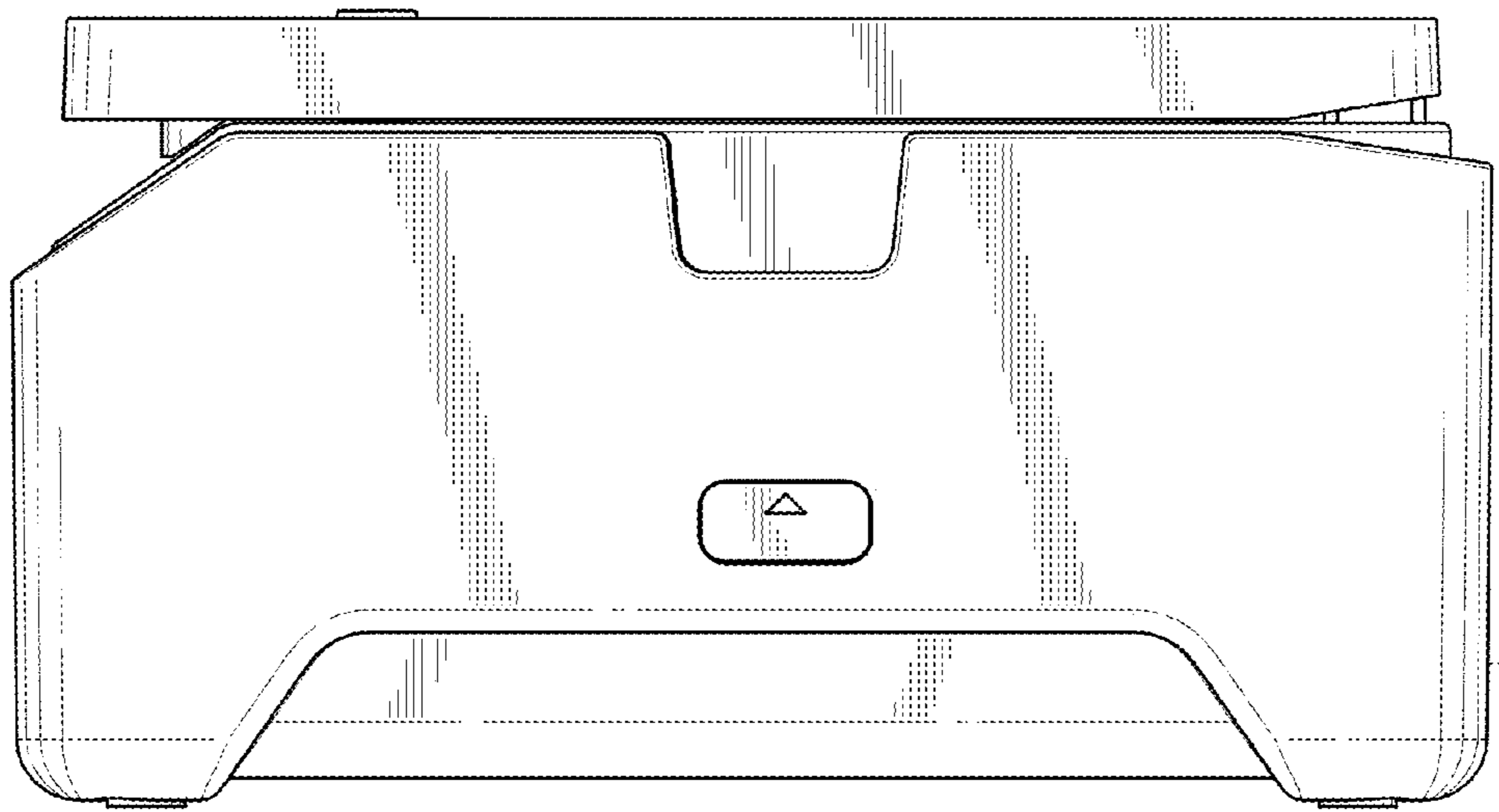


FIG. 10

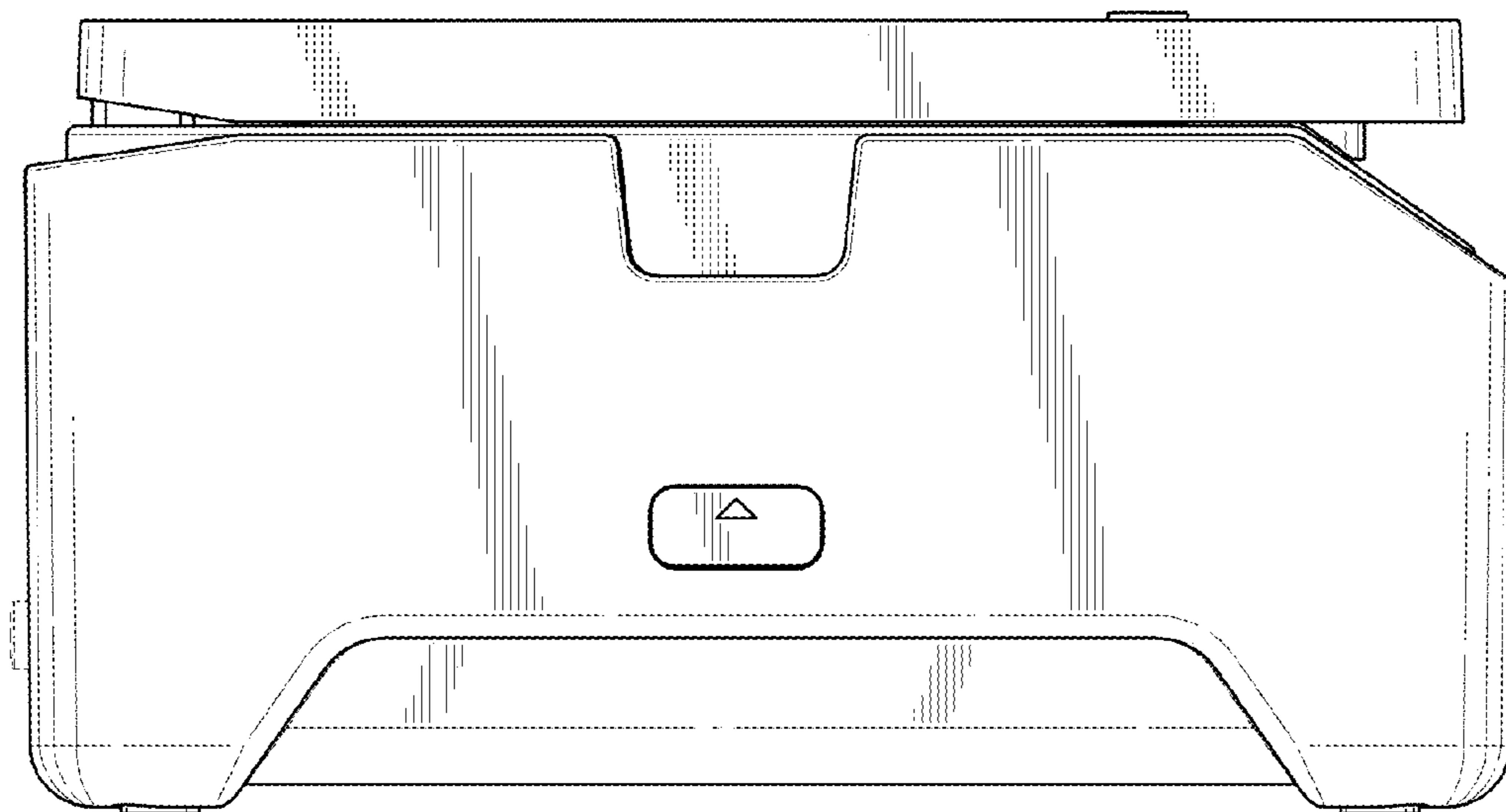


FIG. 11

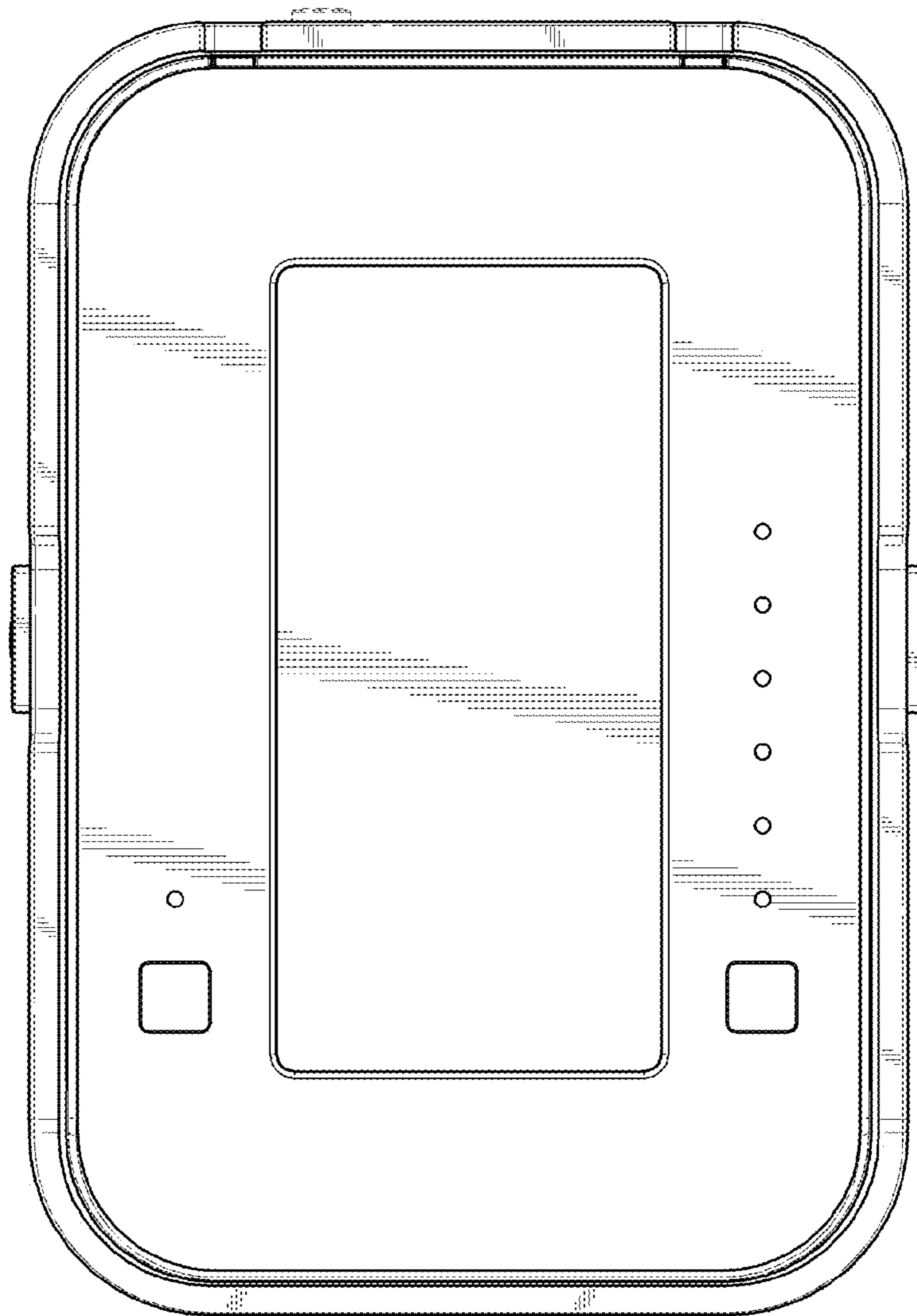


FIG. 12