



US00D681231S

(12) **United States Design Patent**
Steinhauer et al.

(10) **Patent No.:** **US D681,231 S**

(45) **Date of Patent:** **** Apr. 30, 2013**

(54) **LABORATORY MEASURING DEVICE**

(56) **References Cited**

(75) Inventors: **Frank Steinhauer**, Berlin (DE);
Hans-Joachim Kumpch, Berlin (DE)

(73) Assignee: **Hach Lange GmbH**, Berlin (DE)

(**) Term: **14 Years**

(21) Appl. No.: **29/406,103**

(22) Filed: **Nov. 10, 2011**

(30) **Foreign Application Priority Data**

Jun. 29, 2011 (EM) 001884669

(51) **LOC (9) Cl.** **24-01**

(52) **U.S. Cl.**
USPC **D24/232; D10/81**

(58) **Field of Classification Search** D24/216–217,
D24/220, 232–234, 231; D10/46, 81; 250/458.1;
356/244, 246, 250, 417; 436/172; 435/4,
435/15, 58, 69.1, 320.1, 325; 422/68.1, 70,
422/78, 82.01, 82.05, 99, 139, 145–147

See application file for complete search history.

U.S. PATENT DOCUMENTS

D256,726	S	*	9/1980	Meuli et al.	D24/232
D378,782	S	*	4/1997	LaBarbera et al.	D24/232
D430,304	S	*	8/2000	Oonuma et al.	D24/233
D542,931	S	*	5/2007	Pukall et al.	D24/232
D573,051	S	*	7/2008	Alden et al.	D10/81
D612,948	S	*	3/2010	Fleury et al.	D24/216
D629,529	S	*	12/2010	Russell et al.	D24/217

* cited by examiner

Primary Examiner — Wan Laymon

(74) *Attorney, Agent, or Firm* — Norman B. Thot

(57) **CLAIM**

The ornamental design for a laboratory measuring device, as shown and described.

DESCRIPTION

FIG. 1 is a front, right, top-side perspective view of the laboratory measuring device showing our new design; FIG. 2 is a top view thereof; FIG. 3 is a bottom view thereof; FIG. 4 is a front view thereof; FIG. 5 is a back view thereof; FIG. 6 is a right-side view thereof; and, FIG. 7 is a left-side view thereof. The broken lines represent portions of the structure that form no part of the claim.

1 Claim, 7 Drawing Sheets

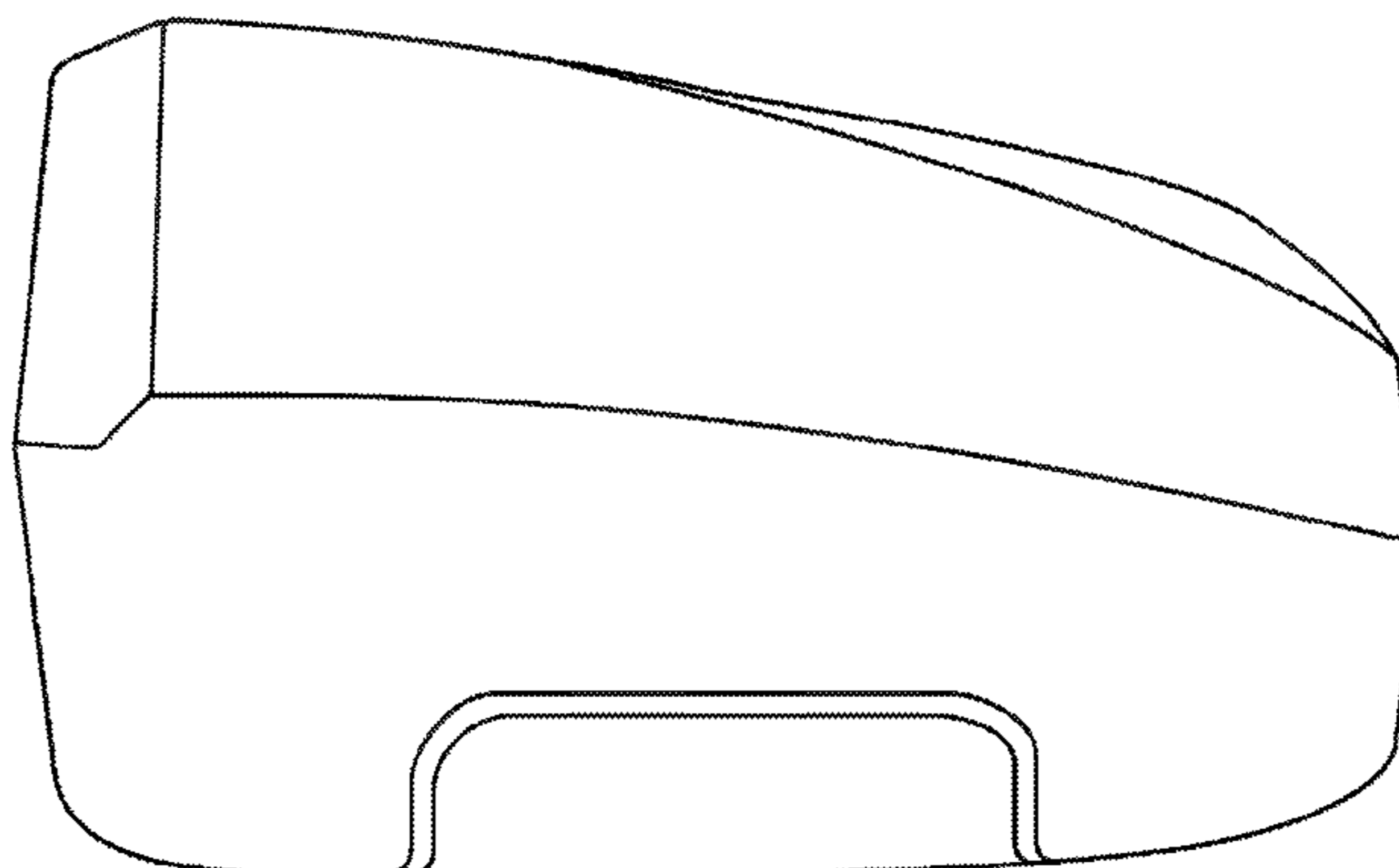
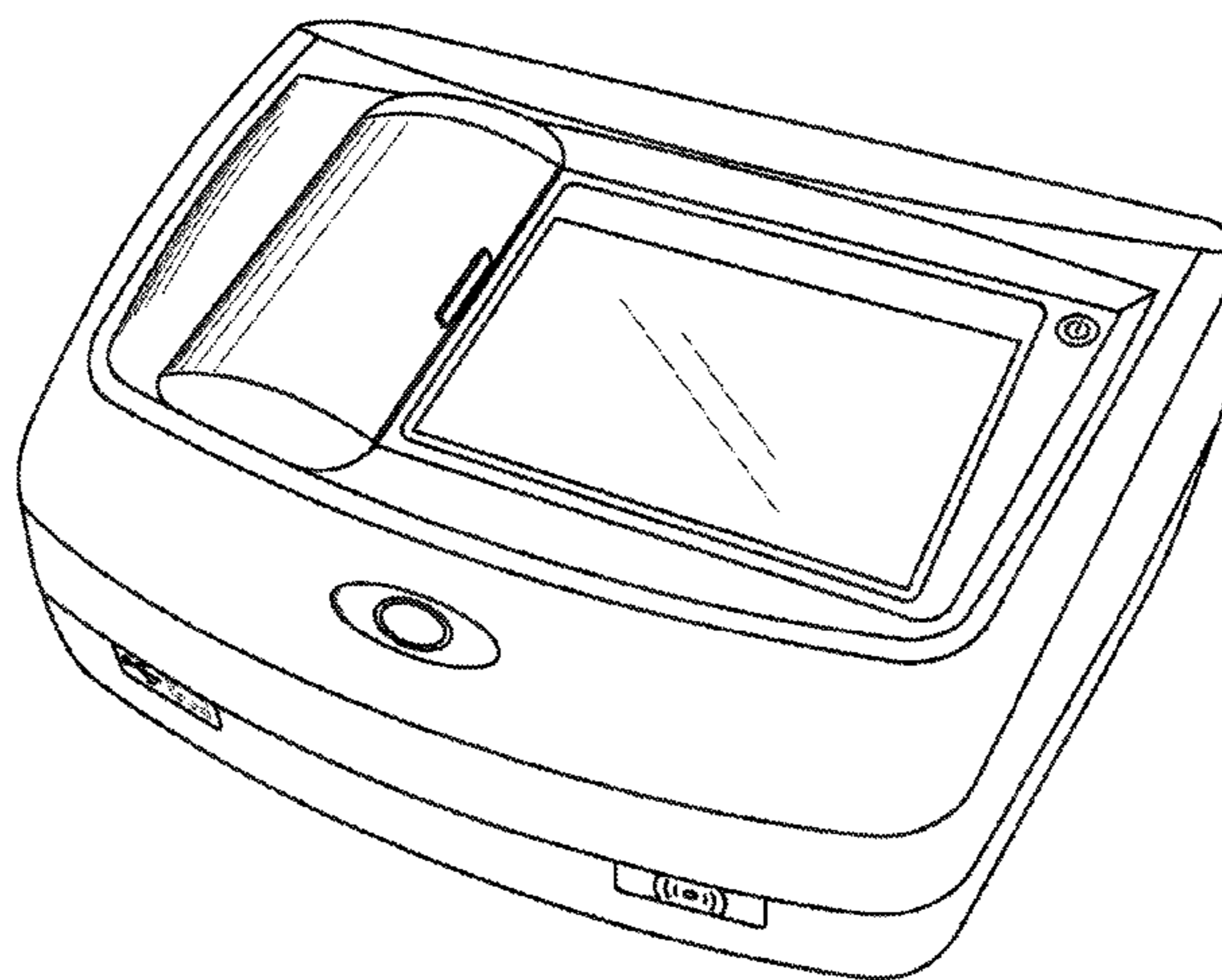


Fig. 1

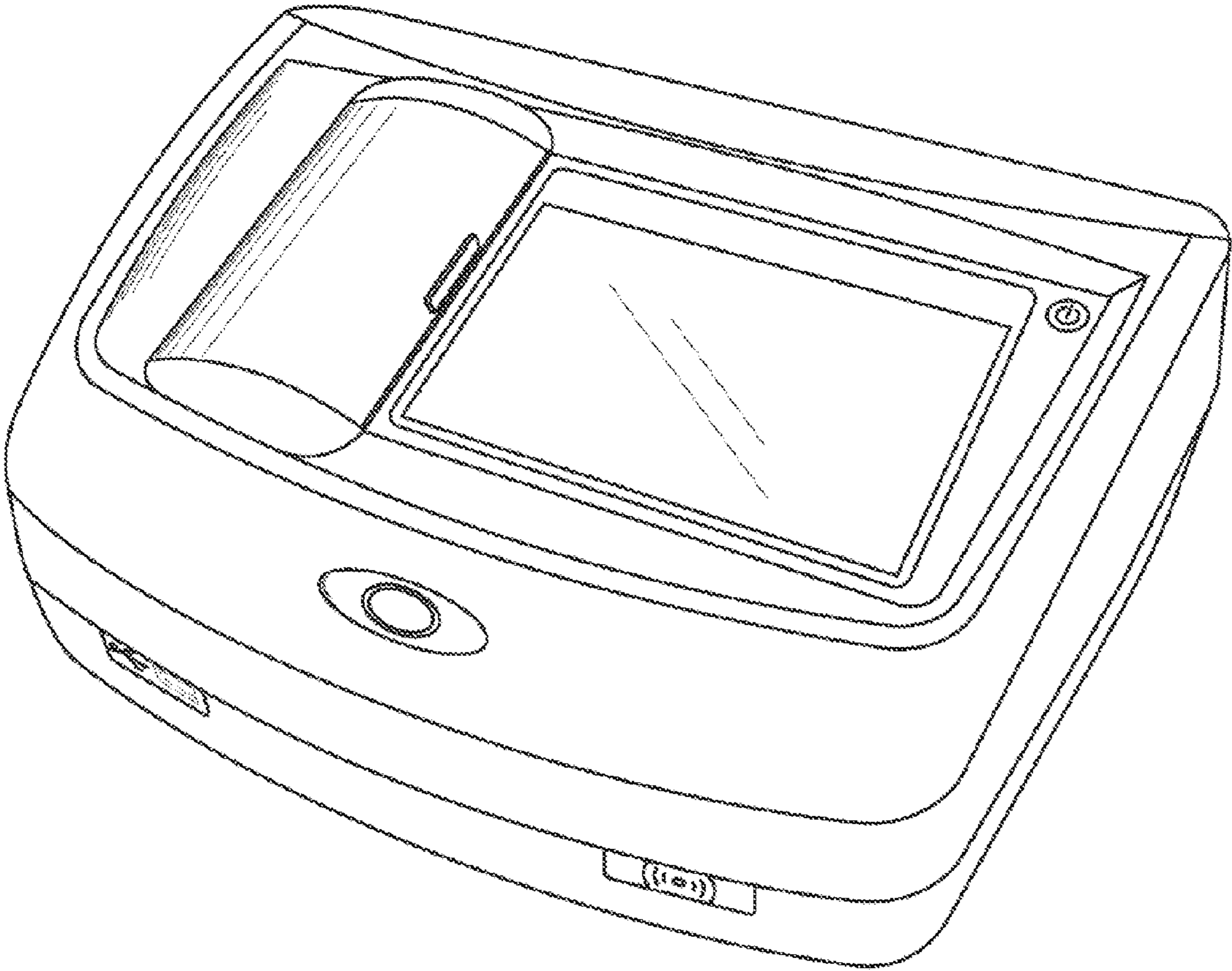


Fig. 2

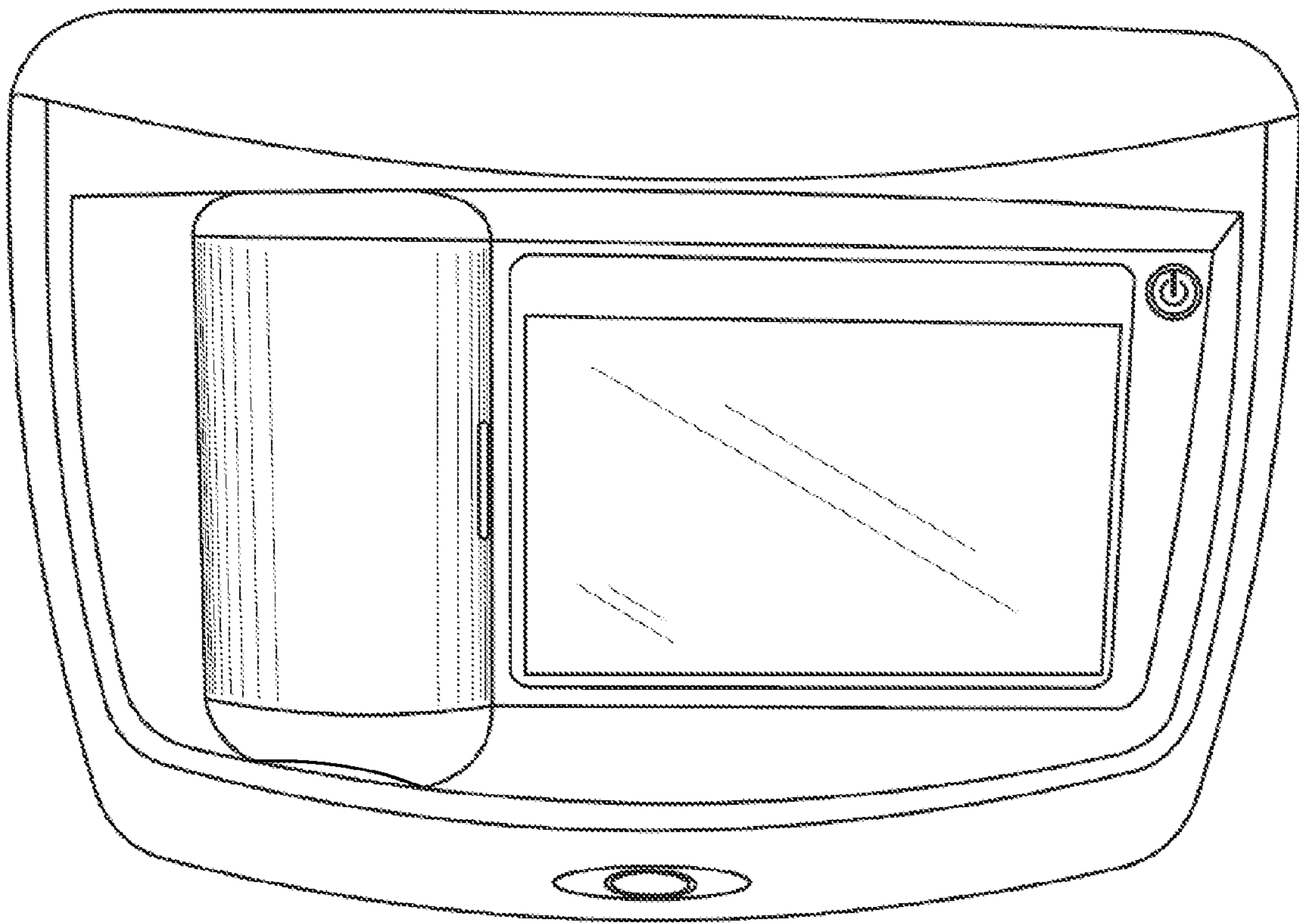


Fig. 3

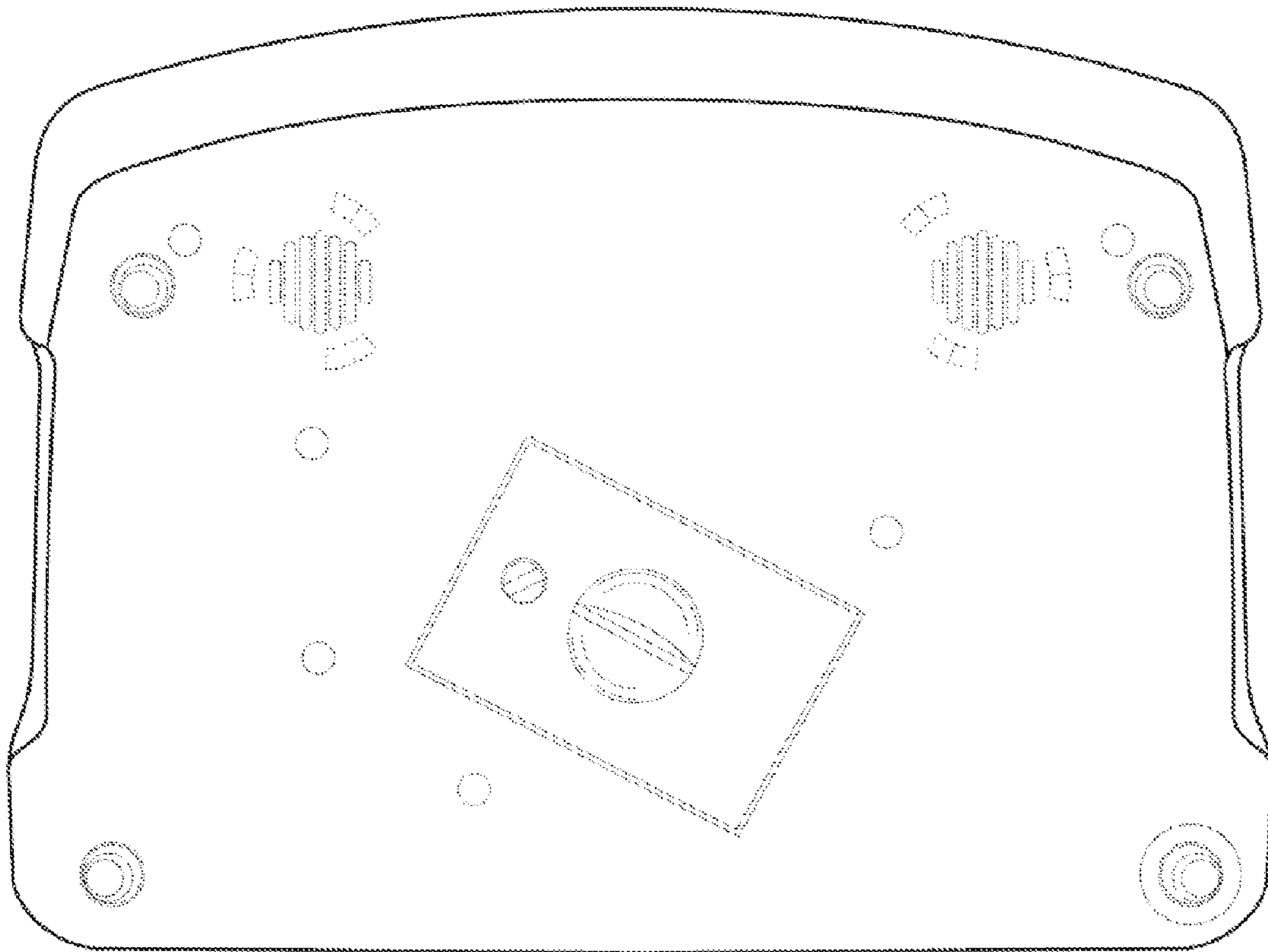


Fig. 4

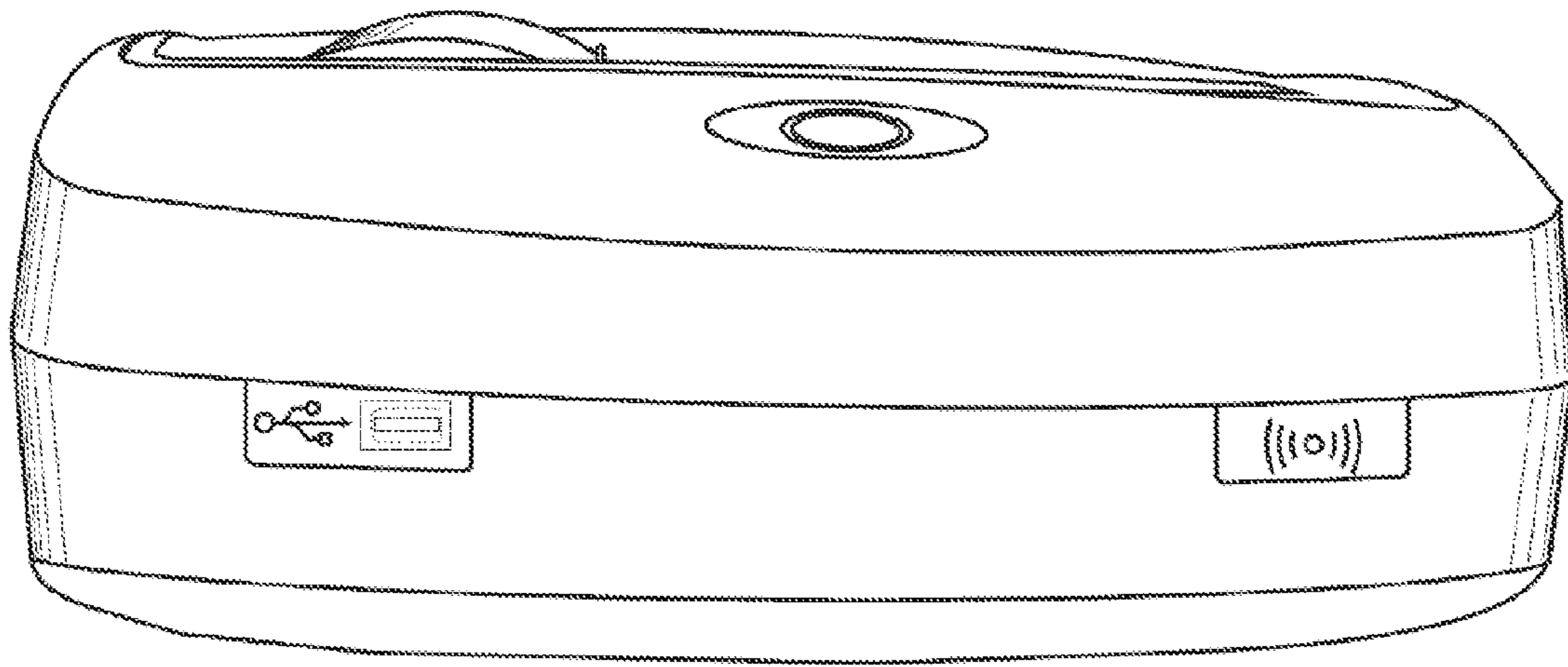


Fig. 5

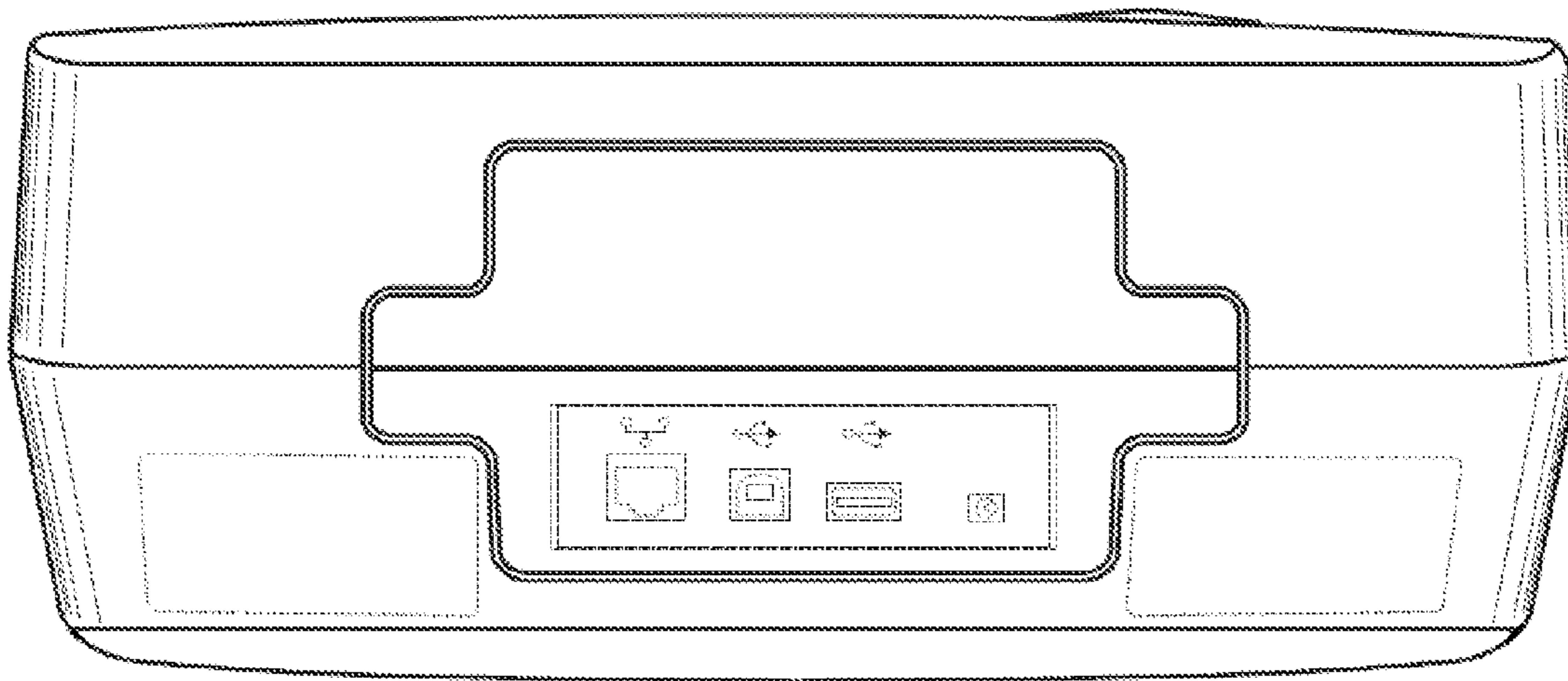


Fig. 6

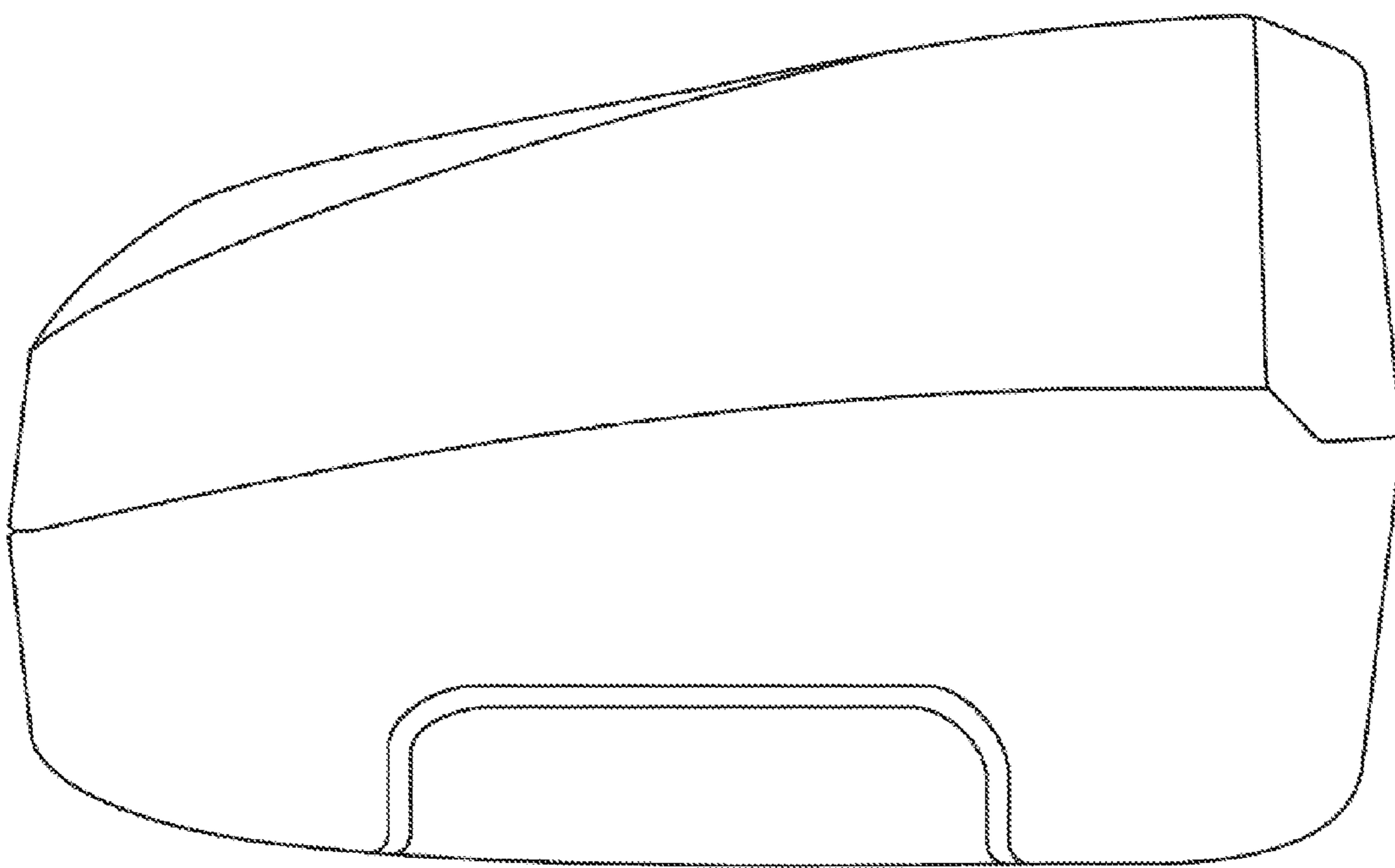


Fig. 7

