



US00D681230S

(12) **United States Design Patent**
Mosler et al.

(10) **Patent No.:** **US D681,230 S**

(45) **Date of Patent:** **** Apr. 30, 2013**

(54) **SHROUD**

(75) Inventors: **Theodore J. Mosler**, Raleigh, NC (US);
David L. Foshee, Apex, NC (US);
Matthew R. Penny, Cary, NC (US)

(73) Assignee: **Yukon Medical, LLC**, Morrisville, NC (US)

(**) Term: **14 Years**

(21) Appl. No.: **29/401,183**

(22) Filed: **Sep. 8, 2011**

(51) **LOC (9) Cl.** **24-01**

(52) **U.S. Cl.**
USPC **D24/231**; D24/129

(58) **Field of Classification Search** D24/108,
D24/127-131, 112, 230-231; 604/82, 191,
604/240, 411-415, 403, 533, 905; 422/101,
422/103, 569; 251/149.1, 149.6

See application file for complete search history.

(56) **References Cited**

U.S. PATENT DOCUMENTS

2,584,397	A	2/1952	Pitman
4,175,559	A	11/1979	Kreb
4,328,802	A	5/1982	Curley et al.
D270,568	S	9/1983	Armstrong
4,729,401	A	3/1988	Raines

(Continued)

FOREIGN PATENT DOCUMENTS

EP	0 570 939	B1	11/1993
EP	0 521 460	B1	9/1995

(Continued)

OTHER PUBLICATIONS

Japanese Property Office, PCT Japanese Office Action for Japanese Design Application No. 2012-002325 dated Jul. 20, 2012 (translation attached).

(Continued)

Primary Examiner — T. Chase Nelson

Assistant Examiner — Mark Cavanna

(74) *Attorney, Agent, or Firm* — Christopher J. Knors; Moore & Van Allen PLLC

(57) **CLAIM**

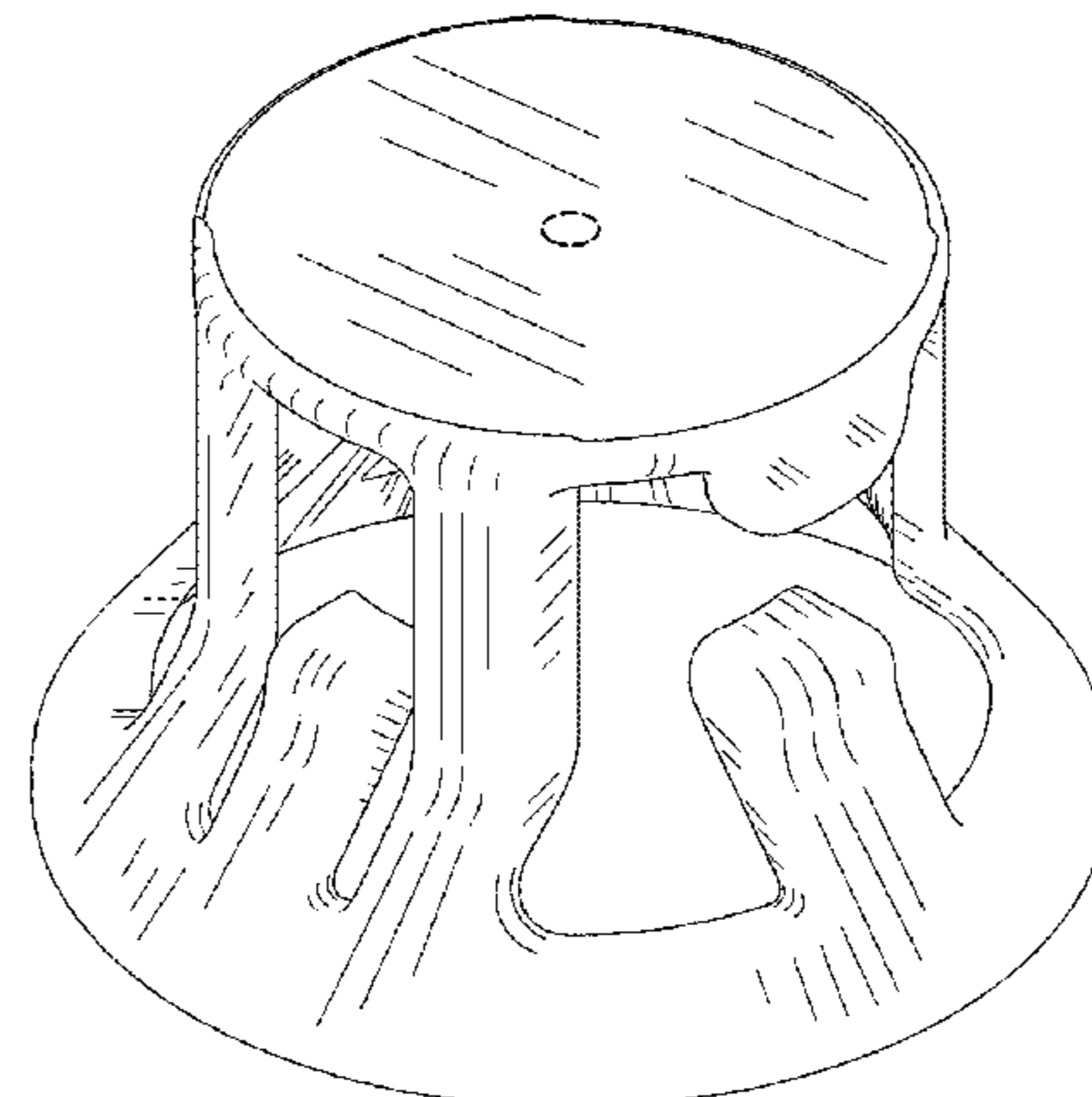
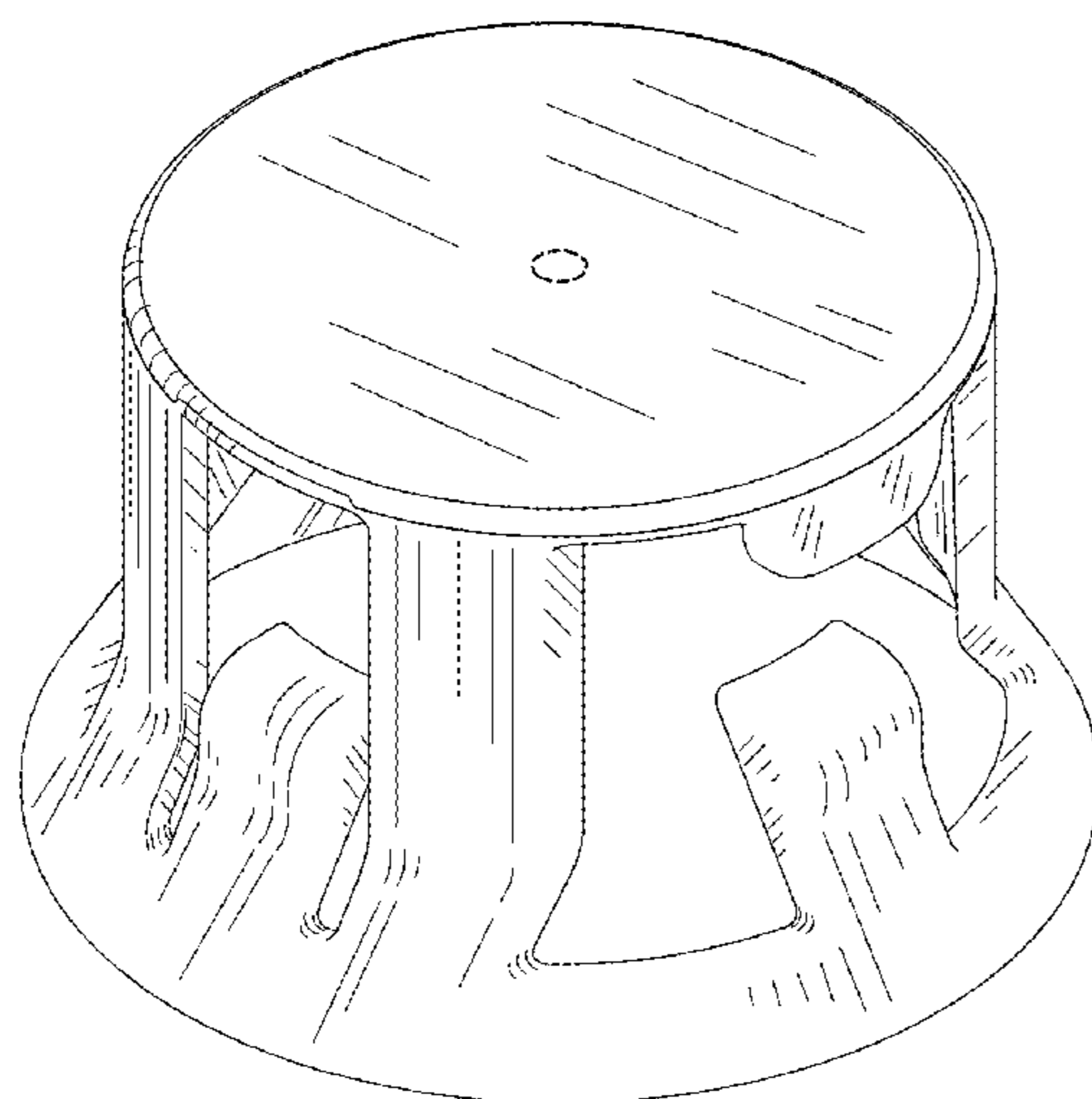
The ornamental design for a shroud, as shown and described.

DESCRIPTION

FIG. 1 is a top perspective view of a first embodiment showing a shroud in accordance with our new design;
 FIG. 2 is a bottom perspective view thereof;
 FIG. 3 is a bottom plan view thereof;
 FIG. 4 is a first side view thereof, the view rotated 180 degrees therefrom being a mirror image thereof;
 FIG. 5 is a second side view rotated 90 degrees relative to the first side view, the view rotated 180 degrees therefrom being a mirror image thereof; and
 FIG. 6 is a top plan view thereof;
 FIG. 7 is a top perspective view of a second embodiment showing our new design for the shroud;
 FIG. 8 is a bottom perspective view thereof;
 FIG. 9 is a bottom plan view thereof;
 FIG. 10 is a first side view thereof, the view rotated 180 degrees therefrom being a mirror image thereof;
 FIG. 11 is a second side view rotated 90 degrees relative to the first side view, the view rotated 180 degrees therefrom being a mirror image thereof; and
 FIG. 12 is a top plan view thereof.

The broken circular lines shown in the drawings are shown for illustrative purposes only and form no part of the claimed design. In addition, the surface shading, if any, illustrated in the drawings is provided merely to highlight the contour of the design; it is not intended to be illustrative of texture, transparency, opaqueness, or gloss.

1 Claim, 12 Drawing Sheets



US D681,230 S

U.S. PATENT DOCUMENTS							
D296,592	S	7/1988	Wellenstam	6,475,183	B1	11/2002	Epstein et al.
4,759,756	A	7/1988	Forman et al.	D468,015	S	12/2002	Horppu
D302,729	S	8/1989	Stephens et al.	D468,016	S	12/2002	Mosler et al.
4,863,454	A	9/1989	LaBove	6,503,240	B1	1/2003	Niedospial et al.
4,921,490	A	5/1990	Spier et al.	6,524,295	B2	2/2003	Daubert et al.
4,994,029	A	2/1991	Rohrbough	D472,316	S	3/2003	Douglas et al.
4,997,430	A	3/1991	Van der Heiden et al.	D472,630	S	4/2003	Douglas et al.
5,088,996	A	2/1992	Kopfer et al.	D473,305	S	4/2003	Halseth
5,152,965	A	10/1992	Fisk et al.	6,544,246	B1	4/2003	Niedospial
5,211,638	A	5/1993	Dudar et al.	6,551,299	B2	4/2003	Miyoshi et al.
5,232,029	A	8/1993	Knox et al.	6,558,365	B2	5/2003	Zinger et al.
5,257,650	A	11/1993	Fisk et al.	6,571,837	B2	6/2003	Jansen et al.
5,279,576	A	1/1994	Loo et al.	6,582,415	B1	6/2003	Fowles et al.
5,297,433	A	3/1994	Elgas	6,598,765	B2	7/2003	Pagel et al.
5,304,163	A	4/1994	Bonnici et al.	6,610,040	B1	8/2003	Fowles et al.
5,304,165	A	4/1994	Haber et al.	D481,125	S	10/2003	Hayamizu
5,329,976	A	7/1994	Haber et al.	6,638,244	B1	10/2003	Reynolds
5,334,163	A	8/1994	Sinnett	6,645,171	B1	11/2003	Robinson et al.
5,352,191	A	10/1994	Sunago et al.	6,645,179	B1	11/2003	Ishikawa et al.
5,397,303	A	3/1995	Sancoff et al.	6,656,433	B2	12/2003	Sasso
5,423,753	A	6/1995	Fowles et al.	6,663,593	B2	12/2003	Ito
D360,030	S	7/1995	Michels et al.	6,666,852	B2	12/2003	Niedospial
5,445,631	A	8/1995	Uchida	6,699,229	B2	3/2004	Zinger et al.
D363,541	S	10/1995	Cottone et al.	6,719,719	B2	4/2004	Carmel et al.
5,464,123	A	11/1995	Scarrow	6,746,438	B1	6/2004	Arnisolle
5,466,220	A	11/1995	Brenneman	6,752,180	B2	6/2004	Delay
5,520,659	A	5/1996	Hedges	6,796,971	B2	9/2004	Andersson et al.
5,522,804	A	6/1996	Lynn	6,817,987	B2	11/2004	Vetter et al.
5,526,853	A	6/1996	McPhee et al.	6,832,994	B2	12/2004	Niedospial et al.
5,527,306	A	6/1996	Haining	6,852,103	B2	2/2005	Fowles et al.
5,554,128	A	9/1996	Hedges	6,875,203	B1	4/2005	Fowles et al.
5,562,616	A	10/1996	Haber et al.	6,875,204	B1	4/2005	Hopkins et al.
5,599,302	A	2/1997	Lilley et al.	6,875,205	B2	4/2005	Leinsing
5,636,660	A	6/1997	Pfleiderer et al.	6,890,328	B2	5/2005	Fowles et al.
5,641,010	A	6/1997	Maier	D506,256	S	6/2005	Miyoshi et al.
5,685,845	A	11/1997	Grimard	6,901,975	B2	6/2005	Aramata et al.
5,743,312	A	4/1998	Pfeifer et al.	6,948,522	B2	9/2005	Newbrough et al.
5,766,147	A	6/1998	Sancoff et al.	6,957,745	B2	10/2005	Thibault et al.
5,776,124	A	7/1998	Wald	6,994,315	B2	2/2006	Ryan et al.
5,785,701	A	7/1998	Sams et al.	6,997,916	B2	2/2006	Simas et al.
5,833,213	A	11/1998	Ryan	6,997,917	B2	2/2006	Niedospial et al.
5,833,674	A	11/1998	Turnbull et al.	7,074,216	B2	7/2006	Fowles et al.
5,846,233	A	12/1998	Lilley et al.	7,077,835	B2	7/2006	Robinson et al.
5,873,872	A	2/1999	Thibault et al.	7,115,117	B2	10/2006	Shiraishi et al.
5,879,337	A	3/1999	Kuracina et al.	7,140,401	B2	11/2006	Wilcox et al.
5,890,610	A	4/1999	Jansen et al.	7,261,698	B2	8/2007	Sampson et al.
5,954,104	A	9/1999	Daubert et al.	7,294,122	B2	11/2007	Kubo et al.
5,989,237	A	11/1999	Fowles et al.	D561,348	S	2/2008	Zinger et al.
6,019,750	A	2/2000	Fowles et al.	7,326,194	B2	2/2008	Zinger et al.
6,021,824	A	2/2000	Larsen et al.	7,358,505	B2	4/2008	Woodworth et al.
6,022,339	A	2/2000	Fowles et al.	D570,477	S	6/2008	Gallogly et al.
6,063,068	A	5/2000	Fowles et al.	D571,006	S	6/2008	Baxter et al.
D427,308	S	6/2000	Zinger	D571,464	S	6/2008	Baxter et al.
6,071,270	A	6/2000	Fowles et al.	D572,820	S	7/2008	Gallogly et al.
6,090,092	A	7/2000	Fowles et al.	D574,491	S	8/2008	Baxter et al.
6,113,571	A	9/2000	Zinger et al.	D577,438	S	9/2008	Gallogly et al.
6,113,583	A	9/2000	Fowles et al.	D577,822	S	9/2008	Gallogly et al.
6,139,534	A	10/2000	Niedospial et al.	7,425,209	B2	9/2008	Fowles et al.
6,142,195	A	11/2000	Lin	7,435,246	B2	10/2008	Zihlmann
6,146,362	A	11/2000	Turnbull et al.	7,442,189	B2	10/2008	Curutcharry
6,149,623	A	11/2000	Reynolds	D582,033	S	12/2008	Baxter et al.
6,159,192	A	12/2000	Fowles et al.	D582,550	S	12/2008	Baxter et al.
D437,052	S	1/2001	Newsom	7,470,257	B2	12/2008	Norton et al.
6,168,037	B1	1/2001	Grimard	7,491,197	B2	2/2009	Jansen et al.
6,209,738	B1	4/2001	Jansen et al.	7,507,227	B2	3/2009	Fangrow
6,237,649	B1	5/2001	Moisio et al.	7,510,548	B2	3/2009	Fangrow
6,238,372	B1	5/2001	Zinger et al.	7,563,256	B2	7/2009	Hearne
D445,501	S	7/2001	Niedospial	D605,755	S	12/2009	Baxter et al.
6,258,078	B1	7/2001	Thilly	7,632,260	B2	12/2009	Antoine
6,269,976	B1	8/2001	DeJonge	7,632,261	B2	12/2009	Zinger et al.
6,343,629	B1	2/2002	Wessman et al.	7,637,899	B2	12/2009	Woolston et al.
6,355,023	B1	3/2002	Roth et al.	D616,984	S	6/2010	Gilboa
6,358,236	B1	3/2002	DeFoggi et al.	7,743,799	B2	6/2010	Mosler et al.
6,364,865	B1	4/2002	Lavi et al.	7,857,802	B2	12/2010	Brandenburger et al.
6,379,340	B1	4/2002	Zinger et al.	D630,732	S	1/2011	Lev et al.
6,409,708	B1	6/2002	Wessman	7,867,215	B2	1/2011	Kerlund et al.
6,453,956	B2	9/2002	Safabash	D637,713	S	5/2011	Nord et al. D24/129
6,474,375	B2	11/2002	Spero et al.	D655,017	S	2/2012	Mosler et al.
				2001/0021820	A1	9/2001	Lynn

US D681,230 S

2002/0066715 A1 6/2002 Niedospial
 2002/0087118 A1 7/2002 Reynolds et al.
 2002/0087144 A1 7/2002 Zinger et al.
 2002/0095121 A1 7/2002 Norton et al.
 2002/0115980 A1 8/2002 Niedospial et al.
 2002/0124905 A1 9/2002 Draughn et al.
 2002/0127150 A1* 9/2002 Sasso 422/103
 2002/0193777 A1 12/2002 Aneas
 2003/0032935 A1 2/2003 Damiano et al.
 2003/0088232 A1 5/2003 Duell
 2003/0153895 A1 8/2003 Leinsing
 2003/0199846 A1 10/2003 Fowles et al.
 2004/0024354 A1 2/2004 Reynolds
 2004/0073189 A1 4/2004 Wyatt et al.
 2004/0112457 A1 6/2004 Norton et al.
 2004/0115099 A1 6/2004 Smith
 2004/0153047 A1 8/2004 Blank et al.
 2004/0199139 A1 10/2004 Fowles et al.
 2004/0210207 A1 10/2004 Amisar et al.
 2004/0249341 A1 12/2004 Newbrough et al.
 2005/0124964 A1 6/2005 Niedospial et al.
 2005/0137523 A1 6/2005 Wyatt et al.
 2005/0137566 A1 6/2005 Fowles et al.
 2005/0148994 A1 7/2005 Leinsing
 2005/0151105 A1 7/2005 Ryan et al.
 2006/0025747 A1 2/2006 Sullivan et al.
 2006/0026482 A1 2/2006 Fujisaki
 2006/0030832 A1 2/2006 Niedospial et al.
 2006/0040340 A1 2/2006 Greene
 2006/0089594 A1 4/2006 Landau
 2006/0155257 A1 7/2006 Reynolds
 2006/0184103 A1 8/2006 Paproski et al.
 2007/0032775 A1 2/2007 Niedospial et al.
 2007/0060904 A1 3/2007 Vedrine et al.
 2007/0079894 A1 4/2007 Kraus et al.
 2007/0088252 A1 4/2007 Pestotnik et al.
 2007/0088313 A1 4/2007 Zinger et al.
 2007/0156112 A1 7/2007 Walsh
 2007/0167904 A1 7/2007 Zinger et al.
 2007/0270778 A9 11/2007 Zinger et al.
 2008/0009789 A1 1/2008 Zinger et al.
 2008/0015496 A1 1/2008 Hamedi Sangsari
 2008/0021381 A1 1/2008 Lurvey et al.
 2008/0132851 A1 6/2008 Shaw et al.
 2008/0132876 A1 6/2008 Felt
 2008/0140021 A1 6/2008 Richmond
 2008/0172024 A1 7/2008 Yow
 2008/0249479 A1 10/2008 Zinger et al.

2008/0262465 A1 10/2008 Zinger et al.
 2008/0269713 A1 10/2008 Kavazov
 2008/0283741 A1 11/2008 Mukaibatake
 2009/0024096 A1 1/2009 Hai et al.
 2009/0054834 A1 2/2009 Zinger et al.
 2009/0062732 A1 3/2009 Radmer
 2009/0082734 A1 3/2009 Walters et al.
 2009/0082750 A1 3/2009 Denenburg et al.
 2009/0099547 A1 4/2009 Radmer
 2009/0177177 A1 7/2009 Zinger et al.
 2009/0177178 A1 7/2009 Pedersen
 2009/0198217 A1 8/2009 Thorne et al.
 2009/0204066 A1 8/2009 Radmer et al.
 2009/0216184 A1 8/2009 Radmer et al.
 2009/0275895 A1 11/2009 Sie et al.
 2009/0299288 A1 12/2009 Sie et al.
 2010/0016826 A1 1/2010 Billiet-Prades et al.
 2010/0022985 A1 1/2010 Sullivan et al.
 2010/0022986 A1 1/2010 Breuer-Thal et al.
 2010/0160889 A1 6/2010 Smith et al.
 2010/0168664 A1 7/2010 Zinger et al.
 2010/0168712 A1 7/2010 Tuckwell et al.
 2010/0179506 A1 7/2010 Shemesh et al.
 2010/0198148 A1 8/2010 Zinger et al.
 2010/0228220 A1 9/2010 Zinger et al.
 2010/0241088 A1 9/2010 Ranalletta et al.
 2011/0022006 A1 1/2011 Walters et al.

FOREIGN PATENT DOCUMENTS

EP 0 814 866 B1 6/2001
 EP 1 192 966 B1 4/2002
 EP 0 737 484 B1 8/2002
 EP 0 815 886 B1 10/2003
 EP 1 145 702 B1 5/2010
 WO WO 96/29113 9/1996
 WO WO 97/20536 6/1997
 WO WO 01/49361 A1 7/2001
 WO WO 2011/004360 1/2011

OTHER PUBLICATIONS

The International Bureau of WIPO, International Search Report and Writing Opinion for International Application No. PCT/US2010/031124, dated Jan. 17, 2011.
 Mosler, Theodore, et al., U.S. Appl. No. 29/364,016, filed Jun. 17, 2010.

* cited by examiner

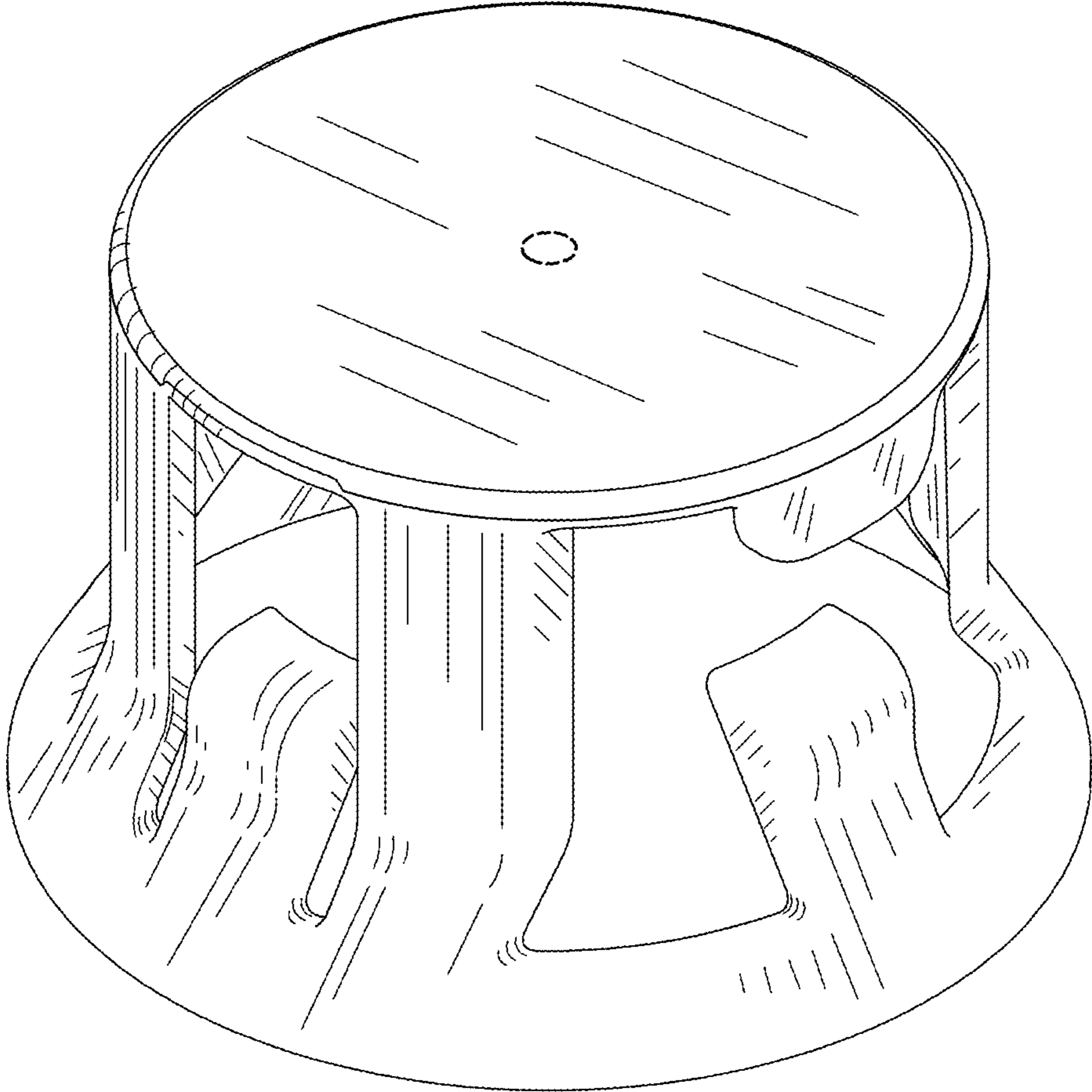


FIG. 1

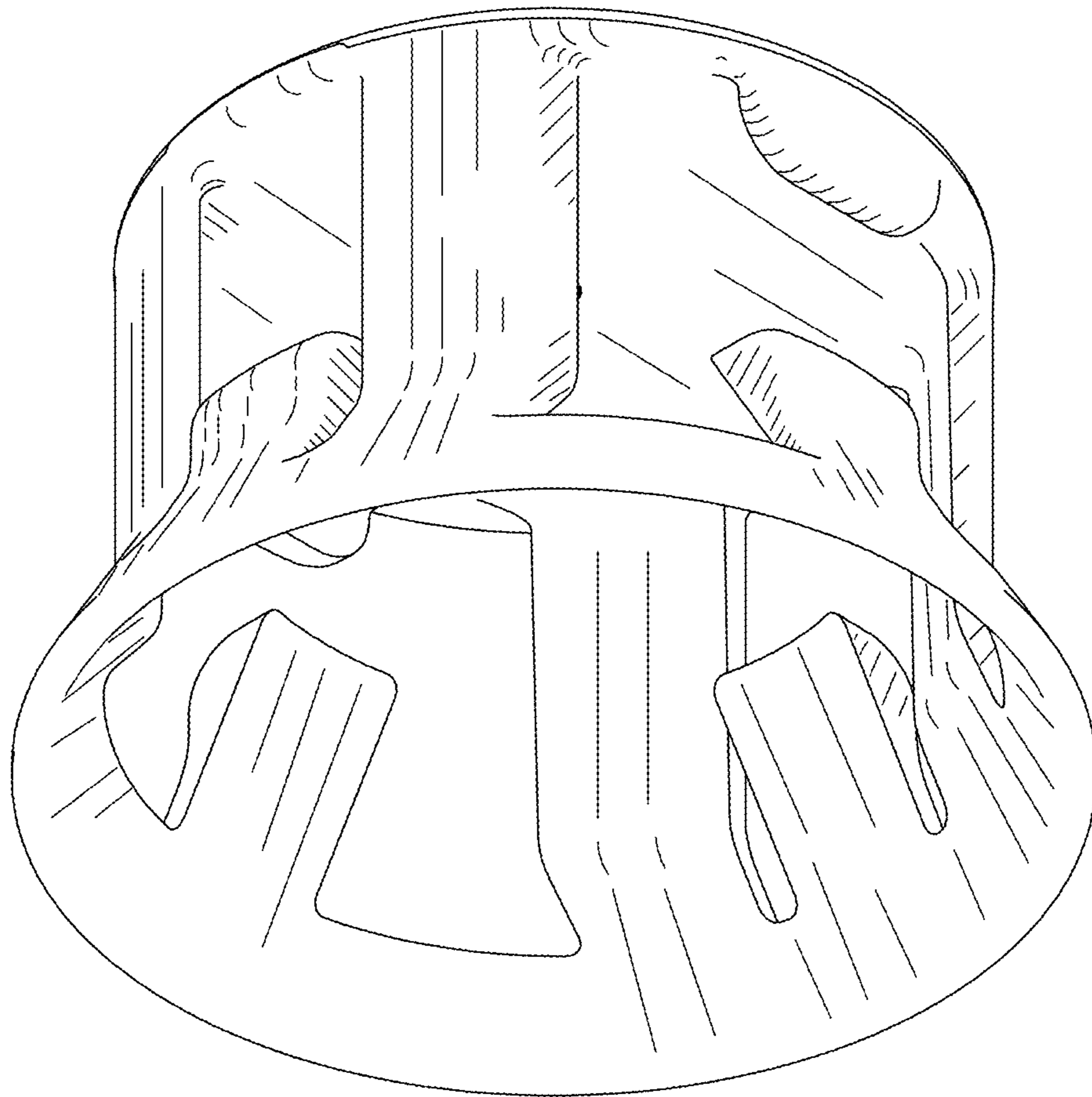


FIG. 2

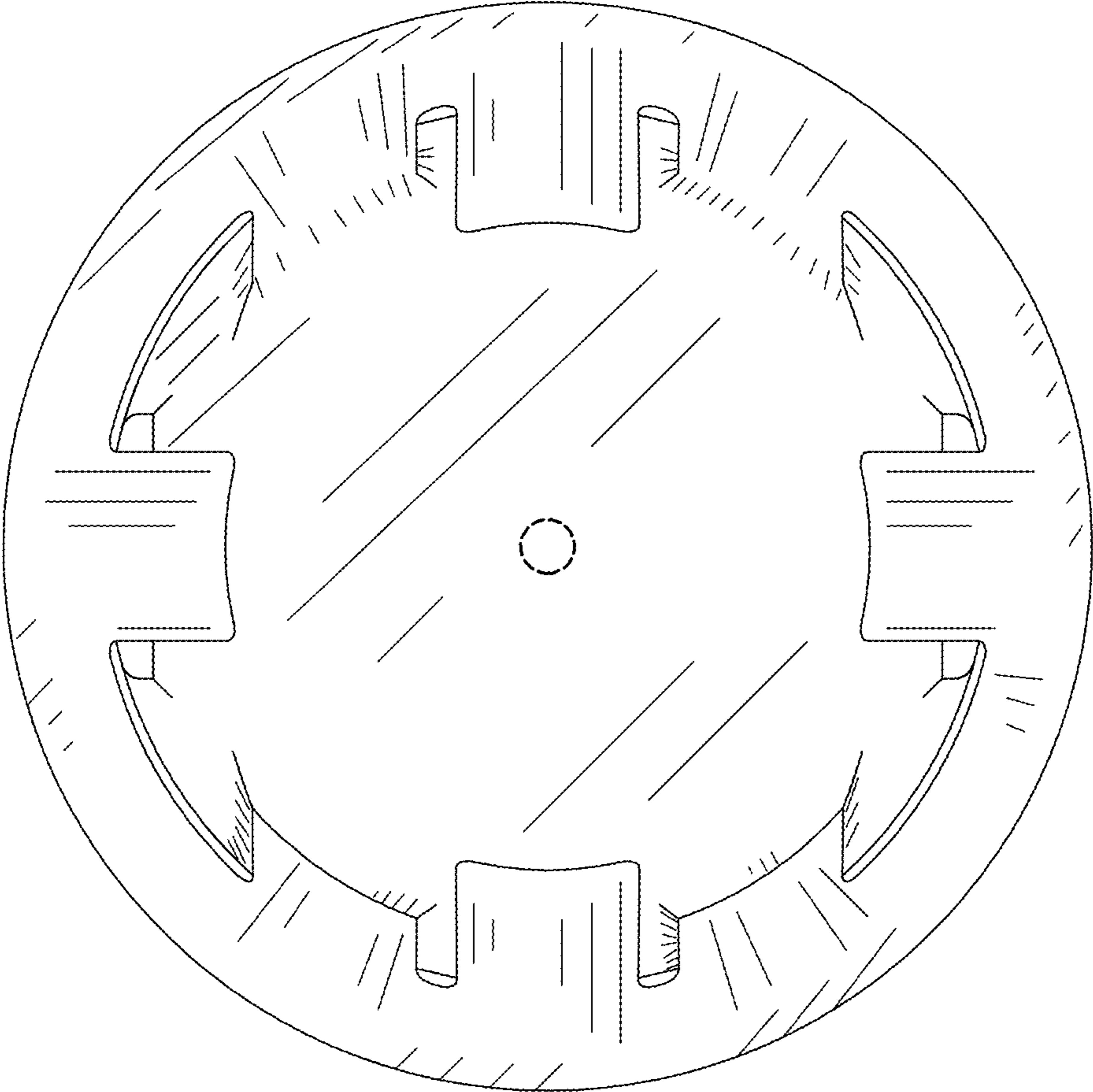


FIG. 3

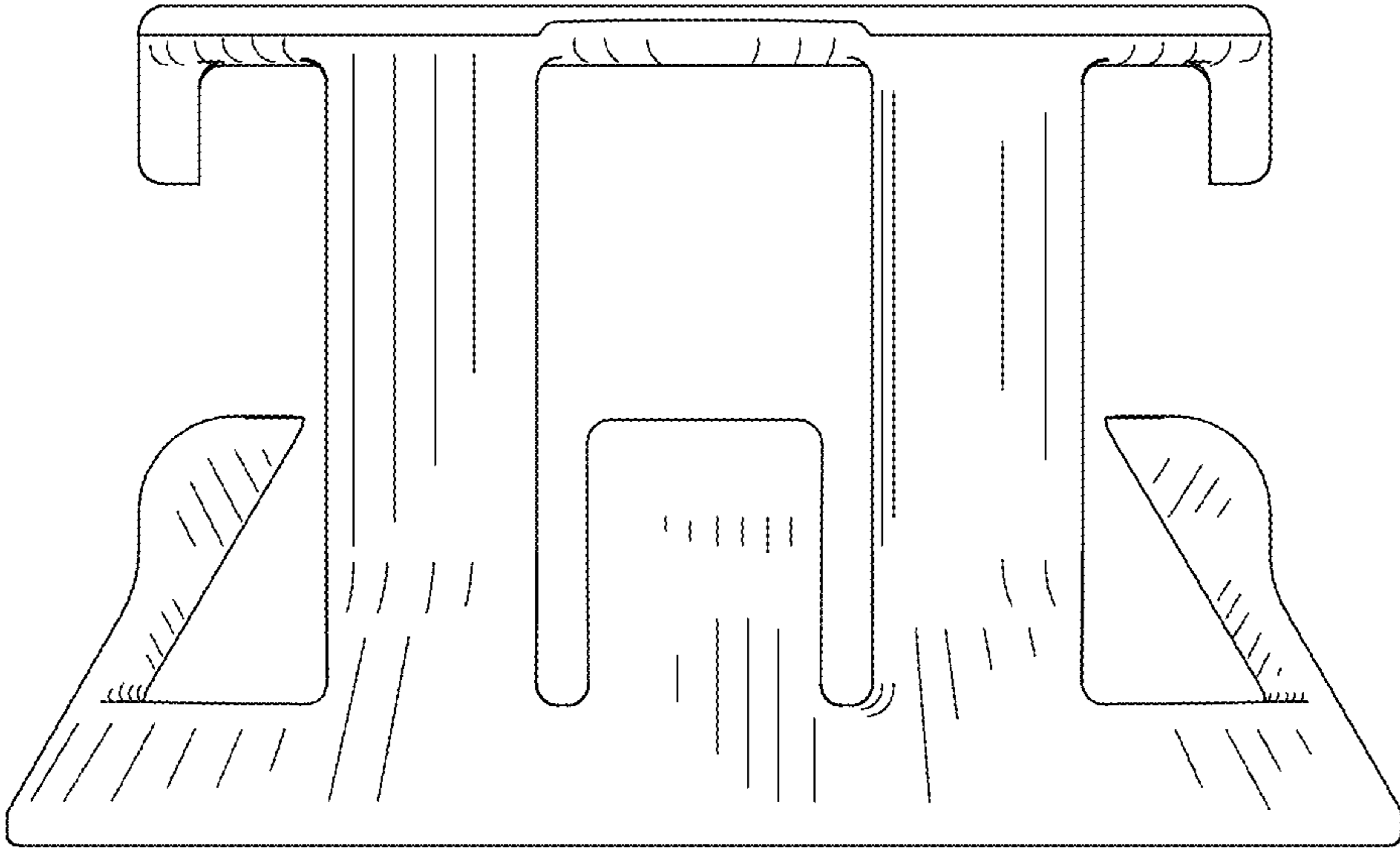


FIG. 4

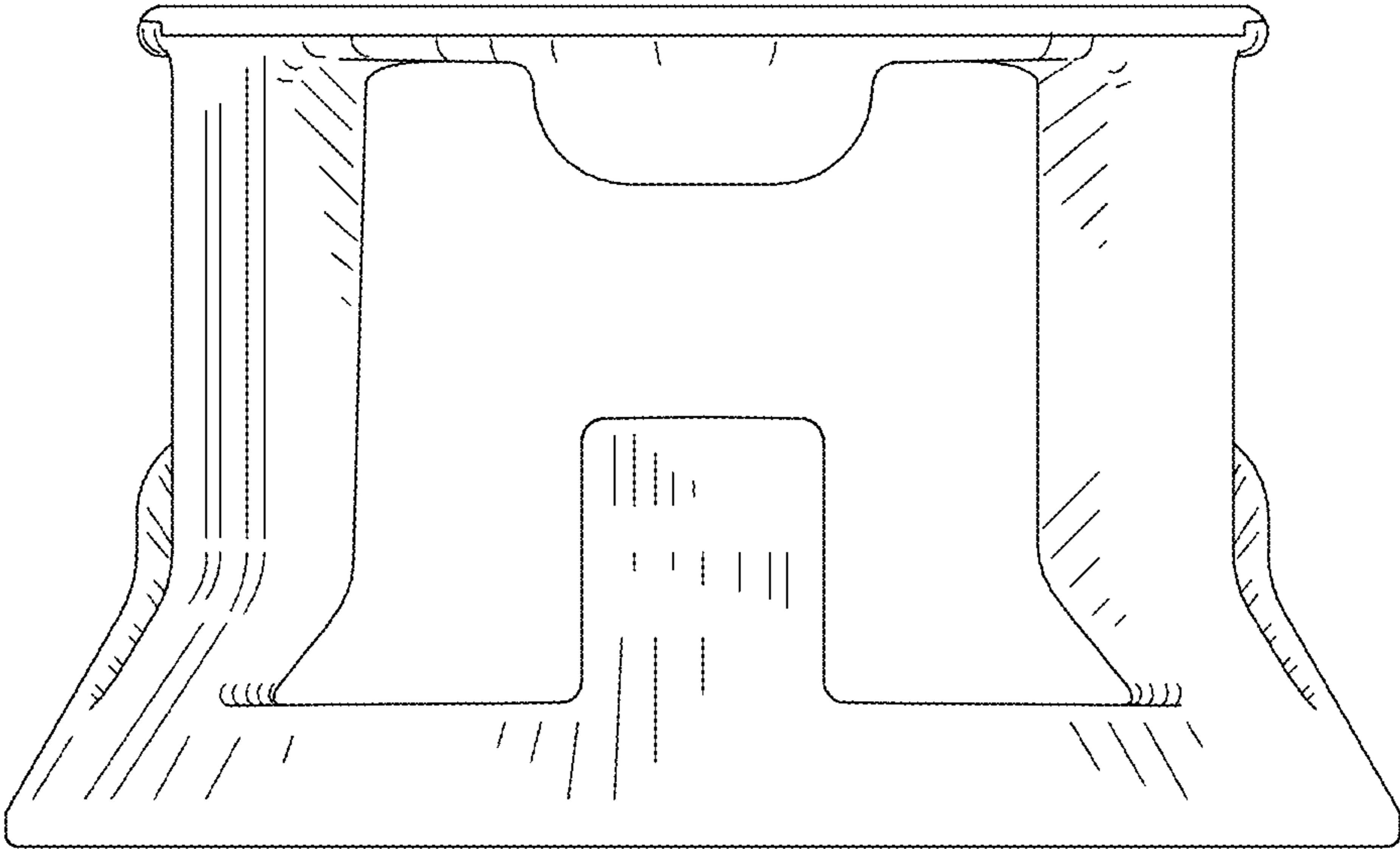


FIG. 5

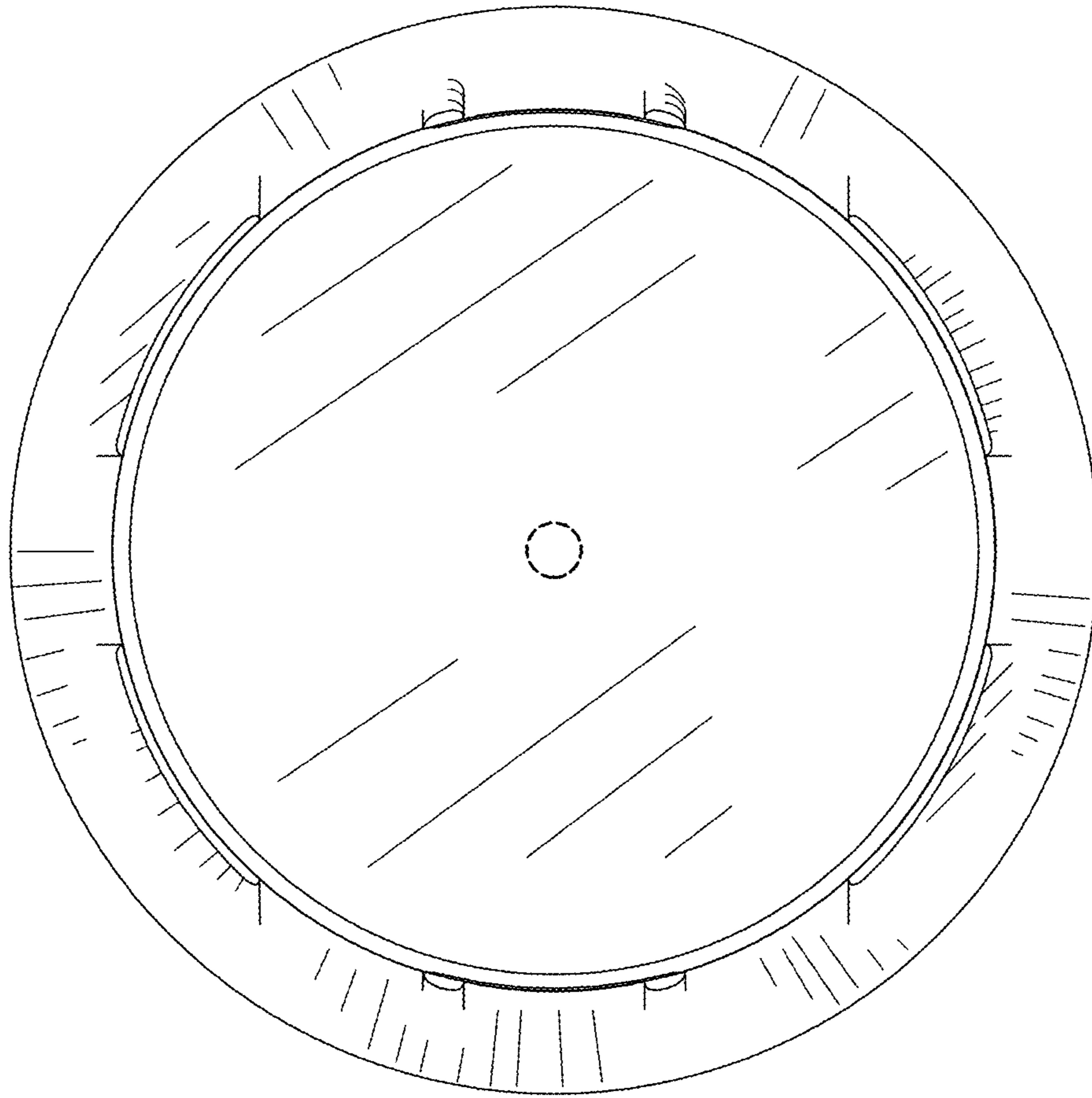


FIG. 6

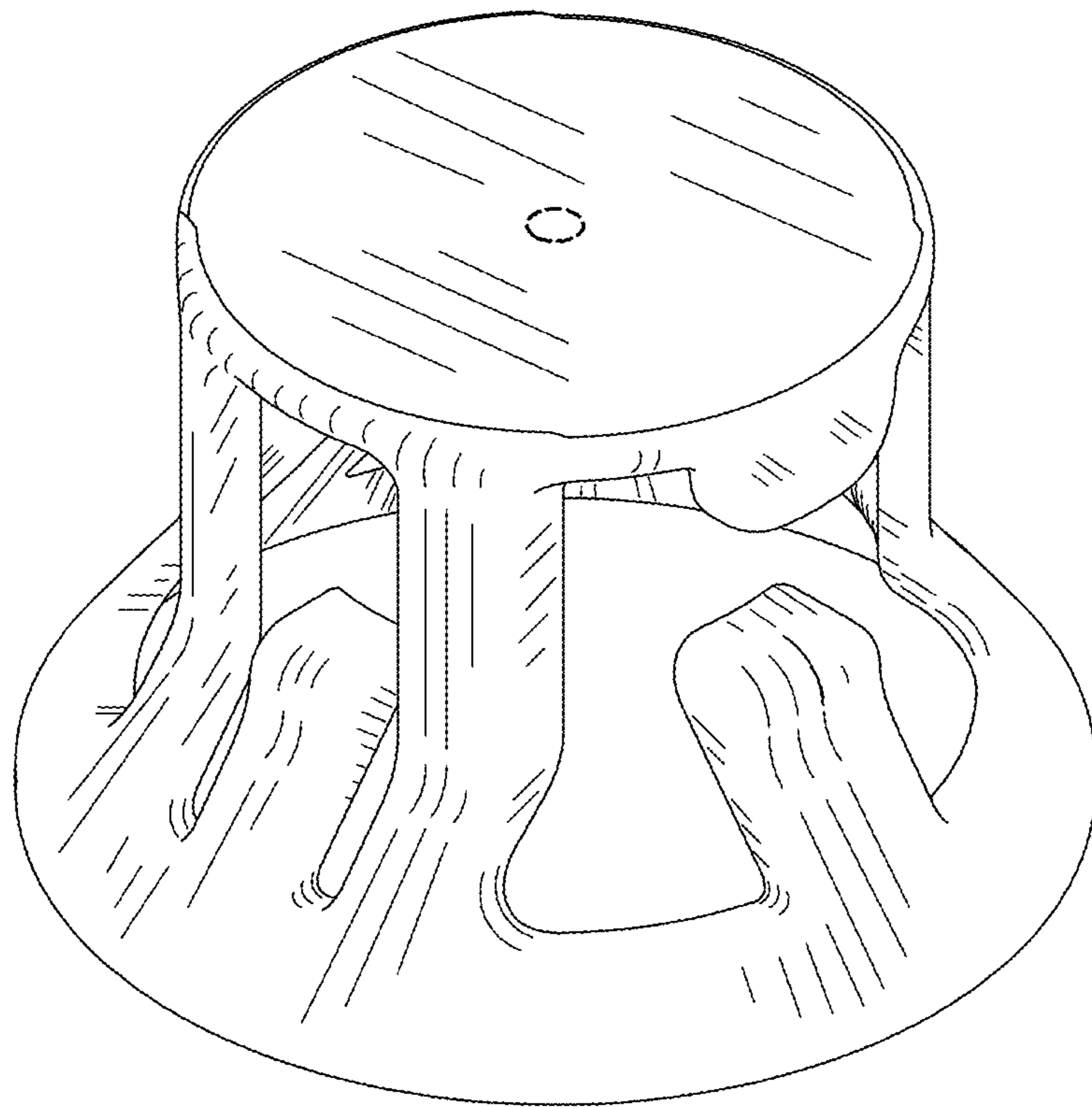


FIG. 7

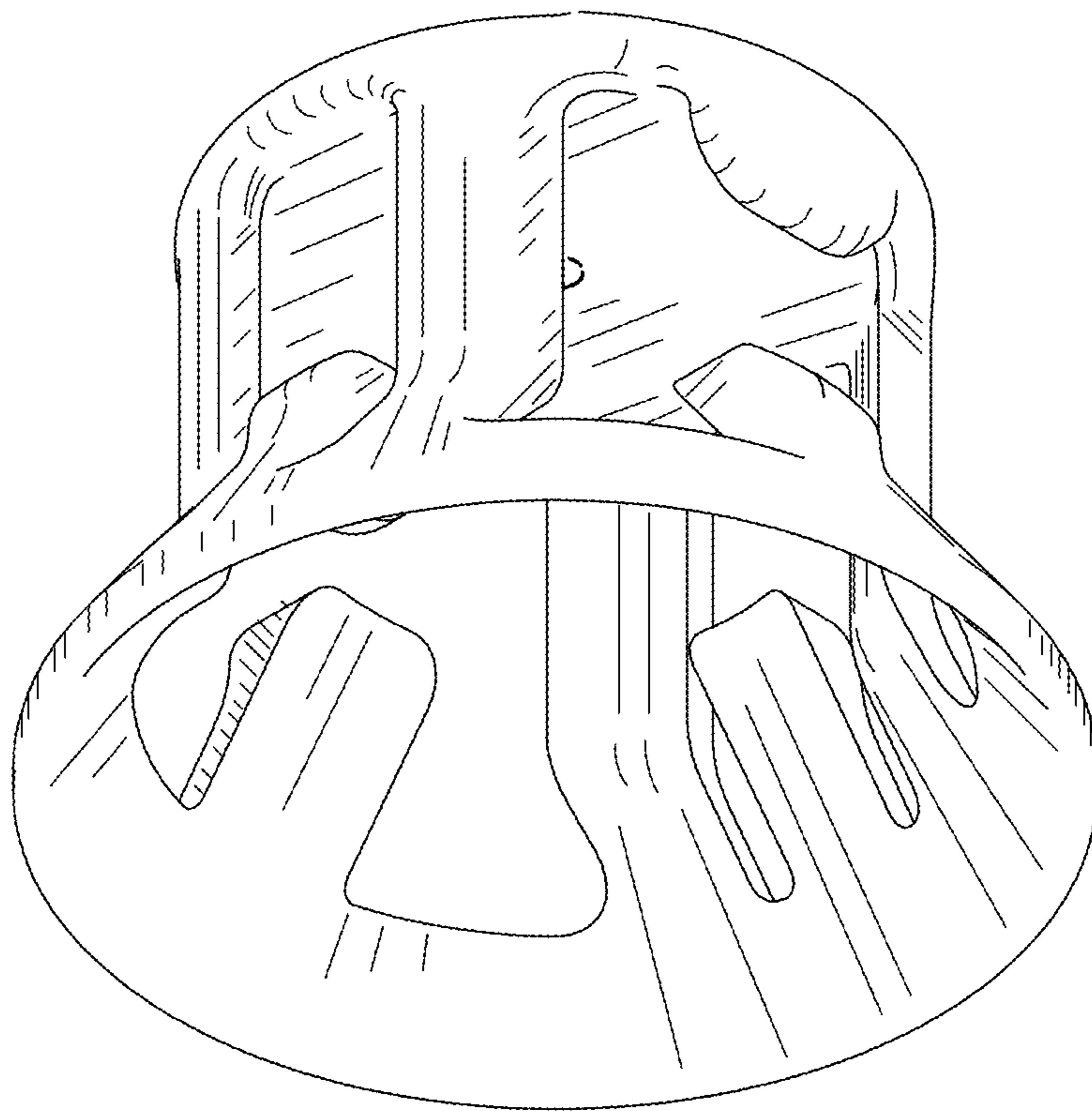


FIG. 8

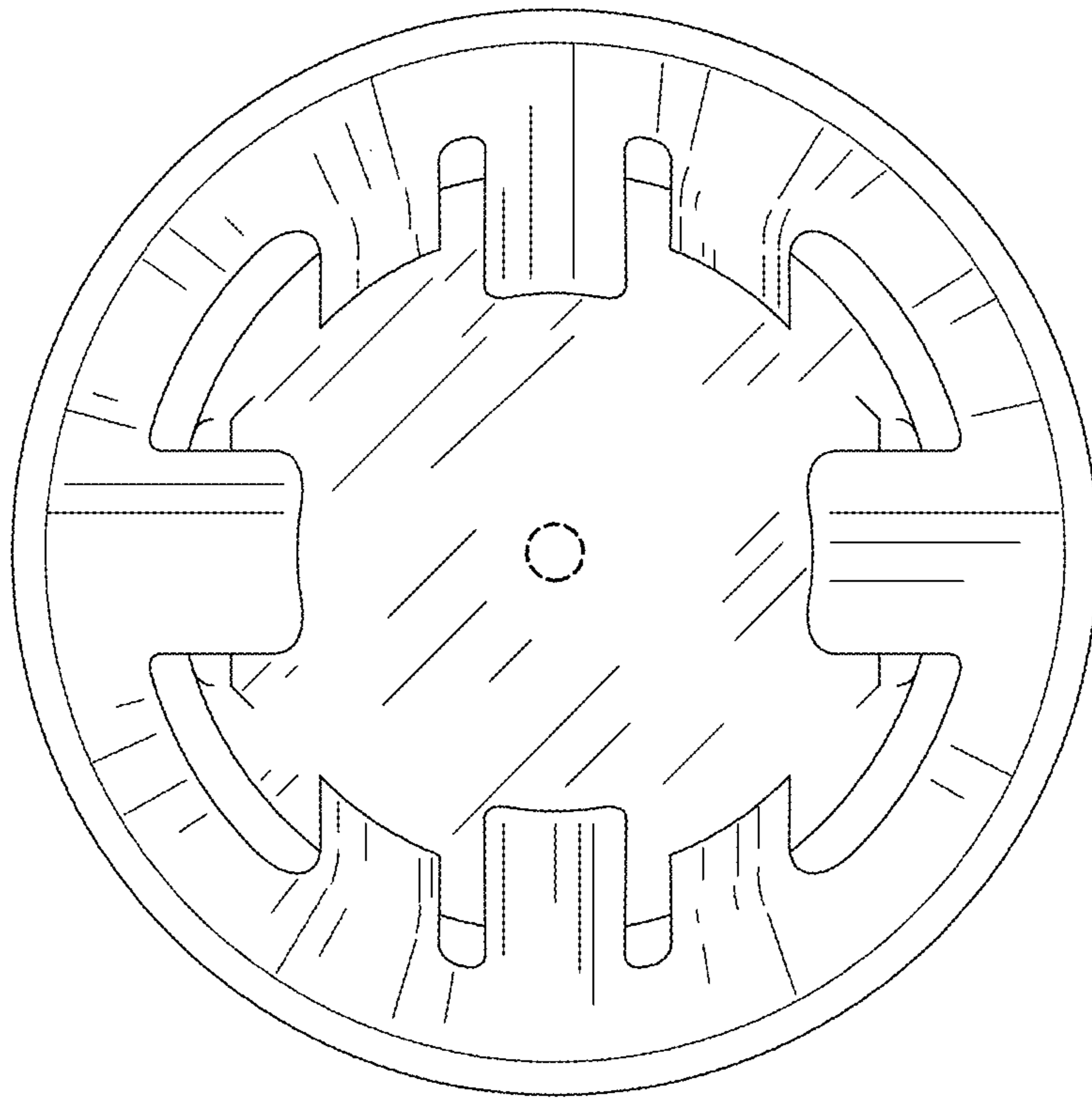


FIG. 9

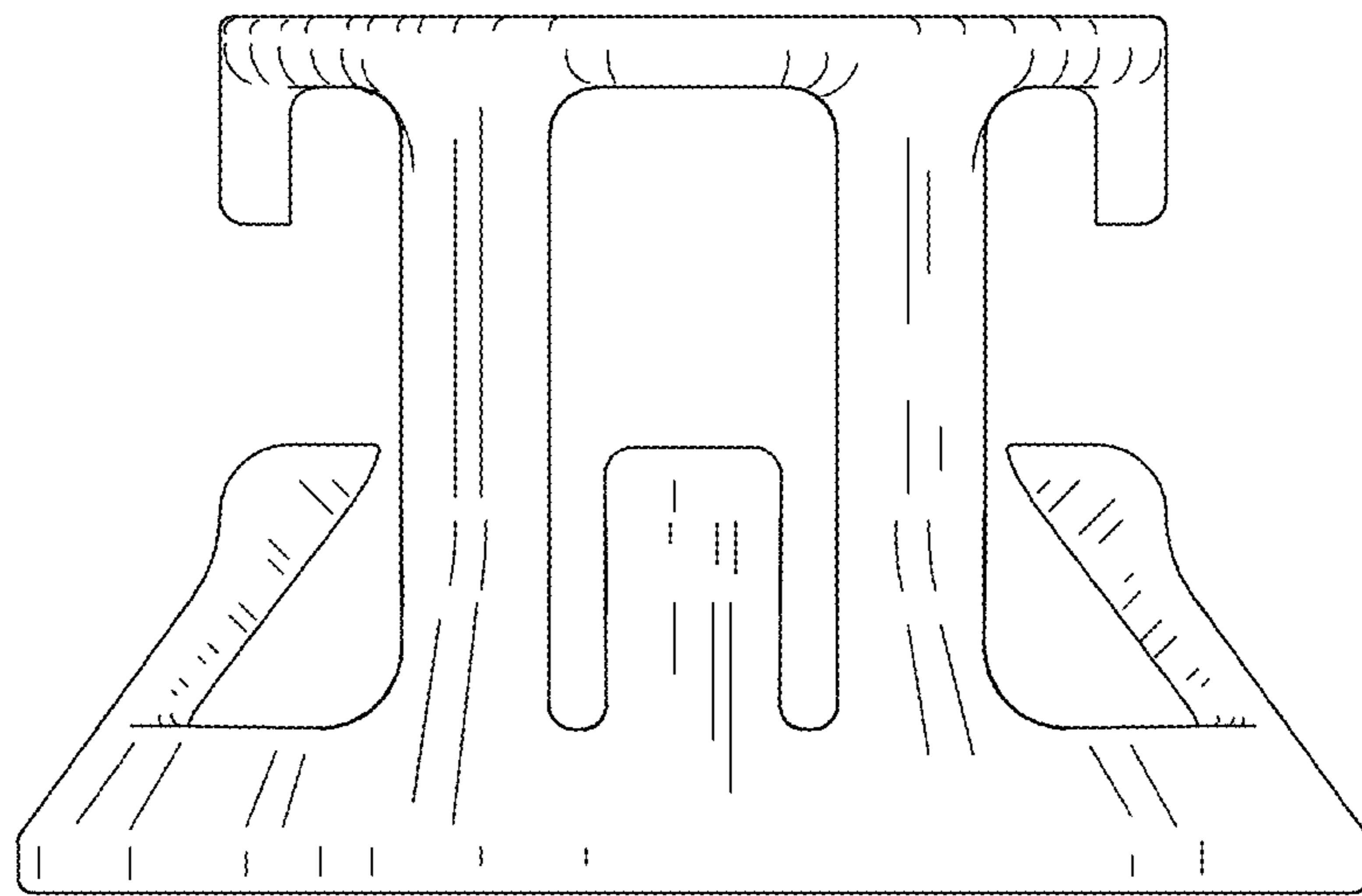


FIG. 10

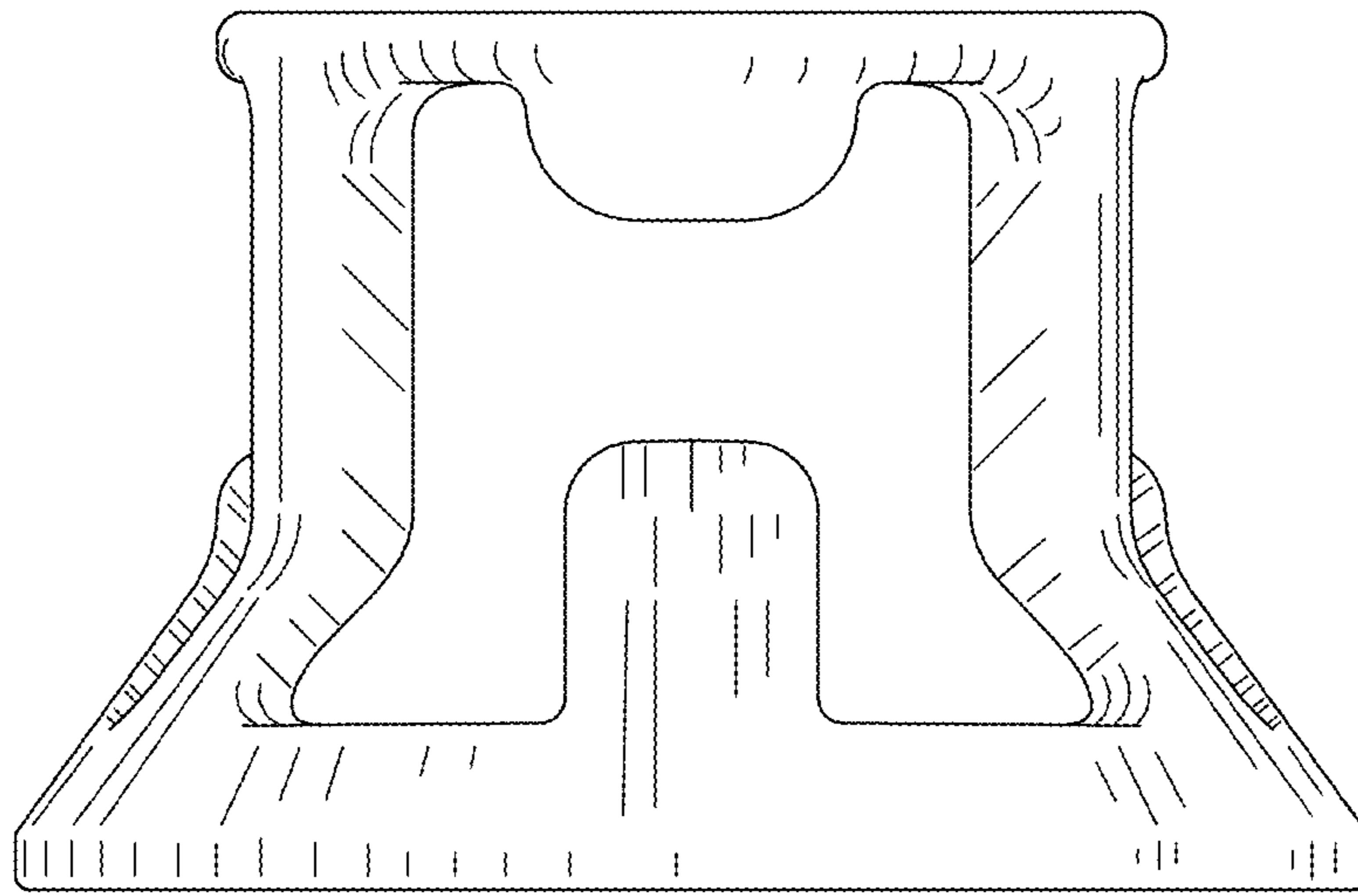


FIG. 11

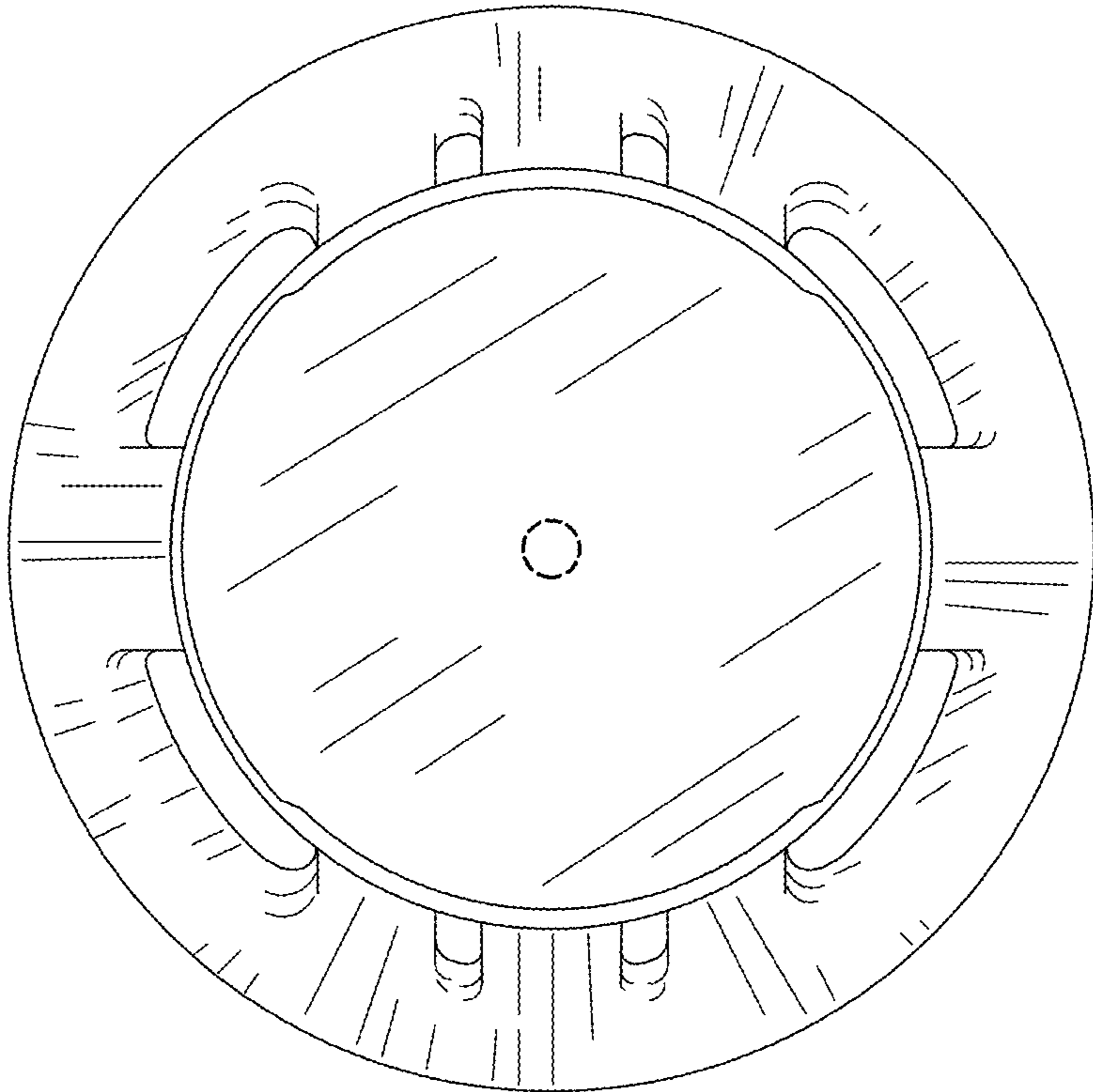


FIG. 12